



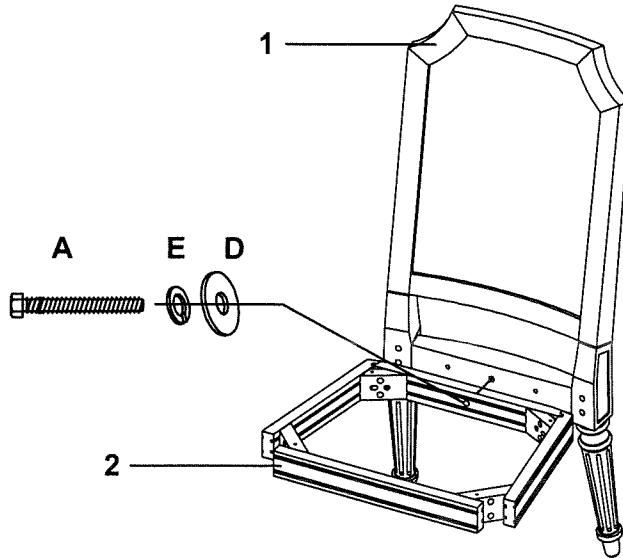
A.R.T. FURNITURE ASSEMBLY INSTRUCTIONS






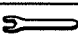
Mills Side Chair
233202-2802
231202-2812

Thank you for purchasing this quality product from A.R.T. Furniture. Be sure to check all packing material for parts which may have come loose inside the carton during shipment. Identify and count all parts and compare with the parts list below.

Note: Some furniture is heavy, it is recommended that two people assembly this item to avoid injury or damage.

STEP 1: Align the seat frame (2) with the chair back (1) and then loosely attach the seat frame (2) to the chair back (1) using flat washers (D), lock washers (E) and bolts (A).



No.	Hardware List		Qt.
A		$\frac{5}{16}$ " X $1\frac{3}{4}$ " Bolt	1
B		$\frac{5}{16}$ " X $3\frac{1}{4}$ " Bolt	4
C		$\frac{5}{16}$ " Nut	4
D		$\frac{5}{16}$ " Flat Washer	9
E		$\frac{5}{16}$ " Lock Washer	9
F		$\frac{1}{2}$ " Wrench	1

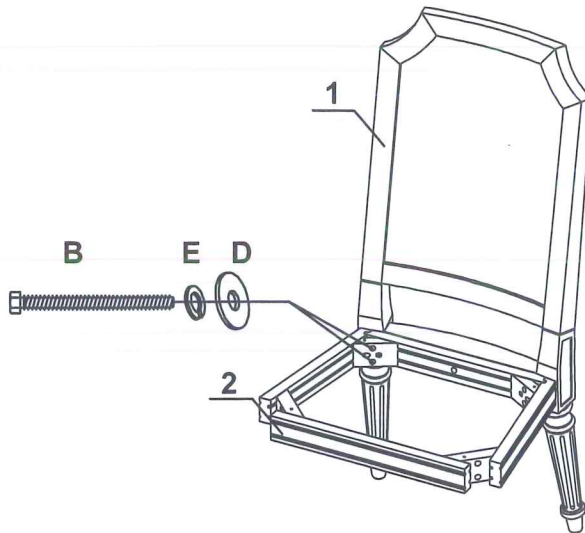
PARTS LIST		
NO	DESCRIPTION	PIECES
1	CHAIR BACK	1
2	SEAT FRAME	1
3	FRONT LEG	2



A.R.T. FURNITURE® ASSEMBLY INSTRUCTIONS

Mills Side Chair
233202-2802
231202-2812

STEP 2: Continue (loose) assembly of the seat frame (2) to the chair back (1) using flat washers (D), lock washers (E), and bolts (B) through the corner blocks at the back of the seat frame (2).



STEP 3: Loosely attach the front legs (3) to the seat frame (2) using flat washers (D), lock washers (E) and nuts (C).

Tighten all bolts securely.

