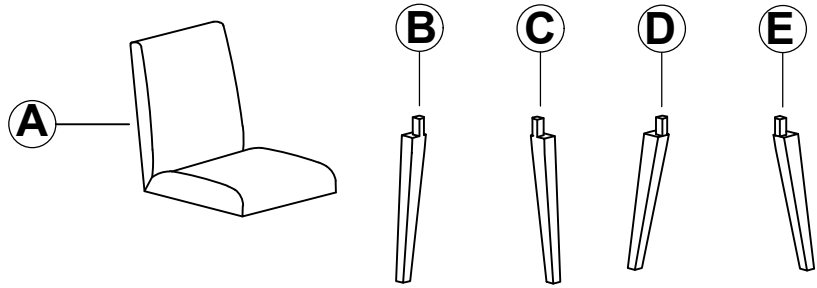


# OMNIA DINING CHR ASSEMBLY INSTRUCTIONS



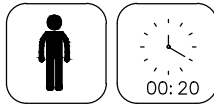
## PARTS PACKING CONFIGURATIONS

- A. CHAIR SEAT 1 PC
- B. LEFT FRONT LEG 1 PC
- C. RIGHT FRONT LEG 1 PC
- D. LEFT BACK LEG 1 PC
- E. RIGHT BACK LEG 1 PC

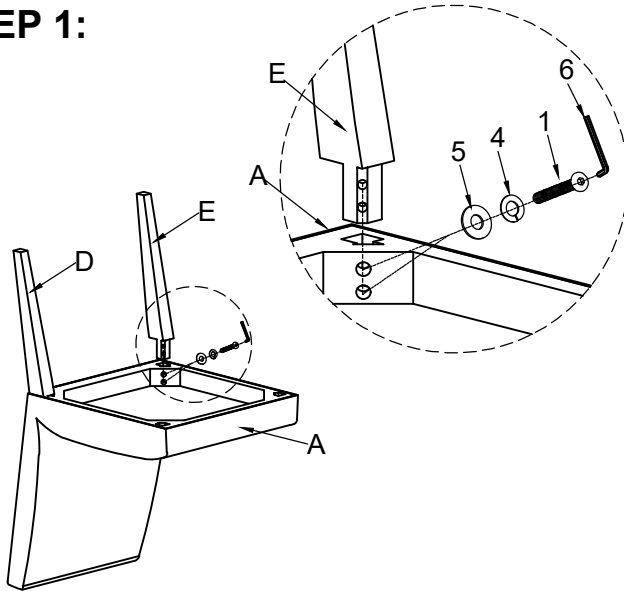


### HARDWARE ENCLOSED IN CARTON

No	Description	Photo	Quantity
1	ALLEN BOLT (5/16 x 1-3/4)		8 PCS
2	LOCK WASHER (5/16)		8 PCS
3	FLAT WASHER (5/16)		8 PCS
4	ALLEN KEY		1 PC

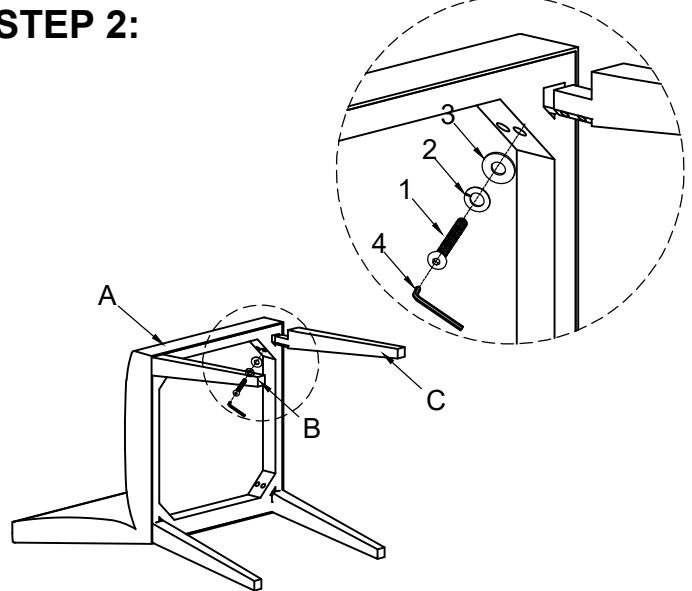


### STEP 1:



DO NOT TIGHTEN BOLTS COMPLETELY

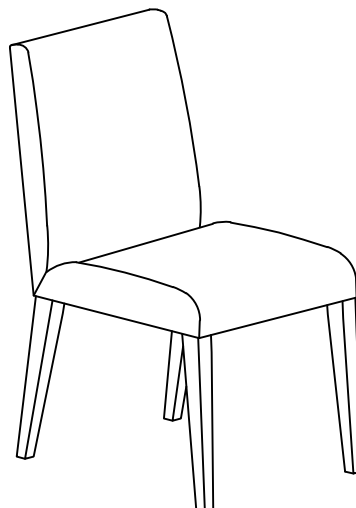
### STEP 2:



DO NOT TIGHTEN BOLTS COMPLETELY

### STEP 3:

ON A FLAT, LEVEL SURFACE PLACE THE CHAIR UPRIGHT. WHEN CHAIR IS LEVELED, PLEASE TIGHTEN ALL ASSEMBLY BOLTS WITH PROVIDED ALLEN KEY.



FULLY ASSEMBLED