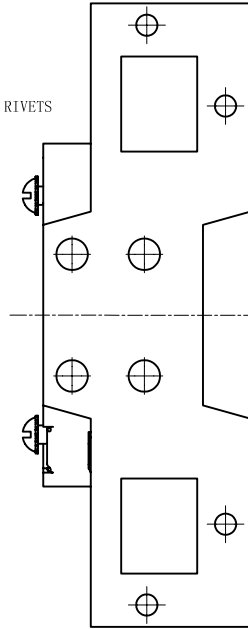
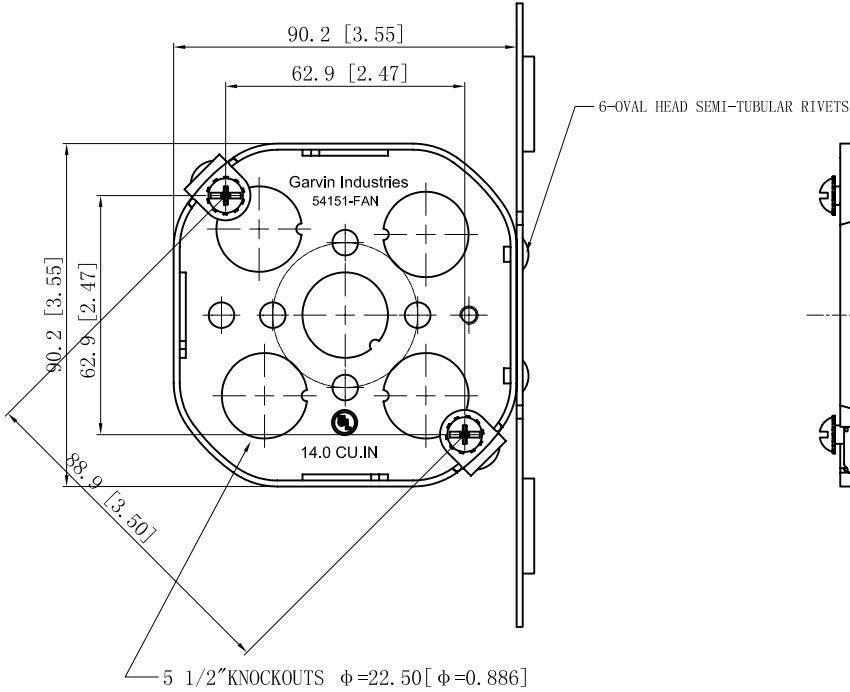
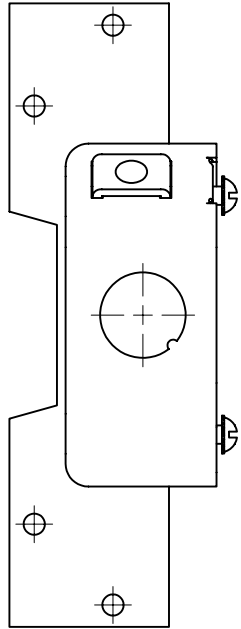
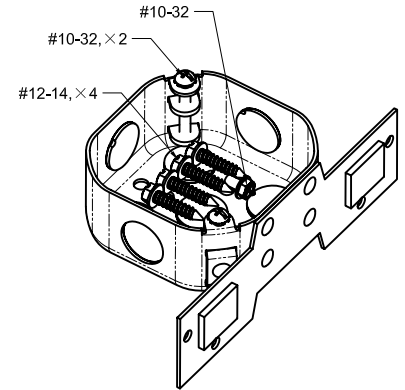
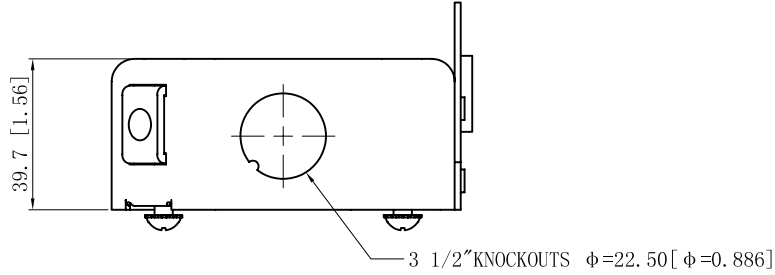


<b>SIDES</b>	<b>BOTTOM</b>
3 1/2" KNOCKOUTS	5 1/2" KNOCKOUTS
1 PCS 10-32×3/8 Screws Installed	
2 PCS 10-32×1-3/8 Screws Installed	
4 PCS 12-14×1 Screws Installed	
Material:Steel-0.0625"-G60 Galvanized	



DESCRIPTION
TRADE REFERENCE TERMS

This data sheet is for reference only. GARVIN INDUSTRIES reserves the right to make changes to the design without prior notice.

STANDARD PACKING
25 PCS

<b>GARVIN INDUSTRIES</b>		
TITLE 4" OCTAGON BOXS 2-1/8" DEEP		
SIZE A4	DWG NO. 54151-FAN	REV C
DATA SHEET		