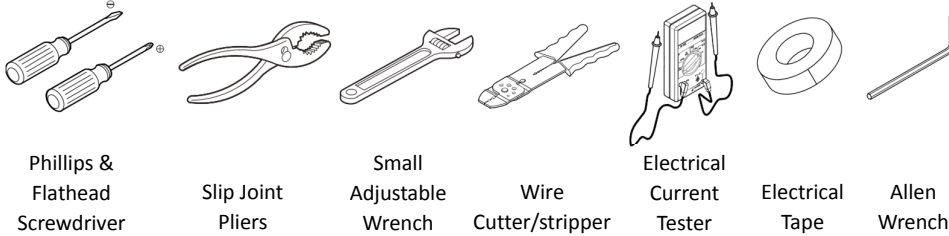


### PREPARATION

1. Record your model number for future reference.
2. **DANGER: Risk of electric shock.** To avoid electric shock, the power must be turned off at the circuit breaker or fuse box before beginning the installation procedure.
3. **DANGER: Risk of electric shock.** To avoid electric shock, the outlet box must be properly grounded.
4. **Important Information.** Inspect the product for any damages. This product is for indoor use only. Observe all local codes.
5. Your product may appear different than the one illustrated. The installation procedures remain the same.

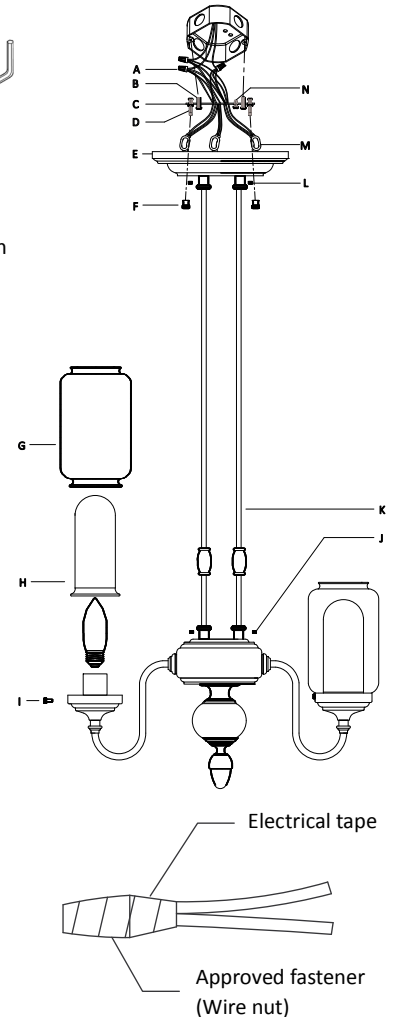
Please see next page for a larger installation image

### TOOLS AND MATERIALS NEEDED



### FIXTURE INSTALLATION

1. Remove the fixture and parts bag(s) from the carton. Put them onto a clean and soft cloth to protect finish. Confirm all parts are included.
2. To adjust length of cord. Loosen the set screws (L) on the canopy (E) until the cords (K) can slide. Be careful, do not remove the set screws. Pull cords through canopy (E) to make sure fixtures and canopy have desired height. Then tighten set screws (L); be careful not to pierce wiring. Make sure the 3 cords are of the same height.
3. Slide safety clips (M) down to touch canopy. Do not damage the cords insulation layer.
4. Cut excess cord to minimum 6" beyond mounting plate (C).
  - a) Trim cloth 2" from the end.
  - b) Strip insulation 5/8" from end of wire without cutting copper wire.
  - c) Twist each copper wire individually.
5. Attach mounting plate (C) onto outlet box with screws (B). Ensure the direction of ground screw (N) and mounting screws (D) are as shown.
6. **NOTICE:** To avoid short circuit, make sure wires are not exposed. Fasten fixture green or bare ground wire to the green or bare copper wire in outlet box with wire nut (A) or fasten onto ground screw (N) on mounting plate. Fasten fixture white wires together and then to the white wire in outlet box with wire nut (A). Wrap the wire connector with electrical tape so that the tape seals the end of wire nut (A), see diagram.
7. **NOTICE:** To avoid short circuit, make sure wires are not exposed. Fasten fixture black wires to the black wire in outlet box with wire nut (A). Wrap the wire connector with electrical tape so that the tape seals the end of wire nut (A), see diagram.
8. Tuck wires carefully inside outlet box. Let screws (D) protrude the hole on canopy (E). Attach the canopy onto ceiling then secure it with nuts (F).
9. **NOTICE:** Do not exceed recommended wattage. Install lamp(s). Rated **Max 40 W, Type B.** (Bulb(s) not included).
10. Install the small (H) and medium-sized glasses (G) onto glass holder, with screws (I).
11. Restore power to circuit at breaker or fuse box.



### CLEANING

Please clean fixture with a soft and dry cloth ONLY. Clean glass with a mild soap.

