

Patent 8,584,600 B2

**IMPORTANT**

Carefully remove all the parts from the carton and place them individually on a soft cloth to prevent scratches or other damage.

Carefully and strictly follow these assembly instructions to ensure a completed product as designed.

Do not use power tools above 8 volts to assemble.

**Part List**

**E. Back Panel**  
2 pcs.

**F. Back Upright**  
1 pc.

**I. Back Stretcher**  
1 pc.

**J. Front Stretcher**  
1 pc.

**M. Base**  
1 pc.

**O. Drawer**  
1 pc.

**P. Drawer**  
1 pc.

**Q. Drawer**  
2 pcs.

**G. Leg**  
2 pcs.

**H. Back Support**  
1 pc.

**K. Front Stretcher**  
1 pc.

**L. Shelf**  
1 pc.

**N. Door**  
1 pc.

Refer to the last page(s) of these instructions for drawer assembly.

**Hardware List**

**Hex Wrench**  
1 pc.

**Small Hex Wrench**  
1 pc.

**Cam Lock Screw**  
16 pcs. (+2 extra)

**Cam Lock**  
16 pcs. (+4 extra)

**M6x35 Head Cap Bolt**  
4 pcs. (+1 extra)

**Adjustable Pin**  
4 pcs. (+1 extra)

**M4x25 Wood Screw (long)**  
32 pcs. (+1 extra)

**M3x16 Wood Screw (short)**  
34 pcs. (+1 extra)

**M4x19 Wood Screw (middle)**  
9 pcs. (+1 extra)

**Magnet**  
1 pc.

**Knob**  
7 pcs.

**M4x25 Machine Screw**  
14 pcs. (+1 extra)

**Cartons 88 5412 941/94Q1, 942 are also needed for assembly.**

Tool(s) required for assembly: Phillips screwdriver, Level

Home Styles Customer Service: [www.homestyles-furniture.com](http://www.homestyles-furniture.com),  
 servicedesk@homestyles-furniture.com, 888-680-7460, 877-831-0319

# Assembly Instructions 2/8

## IMPORTANT

- Use a soft cloth between these parts and the floor.
- Do not use power tools above 8 volts to assemble.
- Do not tighten all the bolts until each part is properly assembled.
- The unit must be level to work properly. Use the included adjustable levelers to level.
- Keep Hex Wrench in a safe place as the bolts may need to be tightened up in the future.

## STEP 1

Insert Cam Lock Screws into the pre-drilled holes of Top (A1), Side Panels (B), (C), Middle Panel (D) and Base (M).  
(See Figure 1)

Attach Magnet to Front Stretcher (J) with Wood Screws (short).  
(See Figure 2)

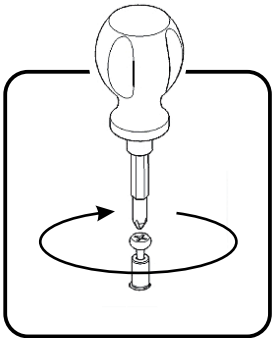


Figure 1

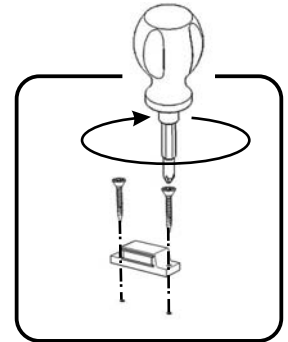
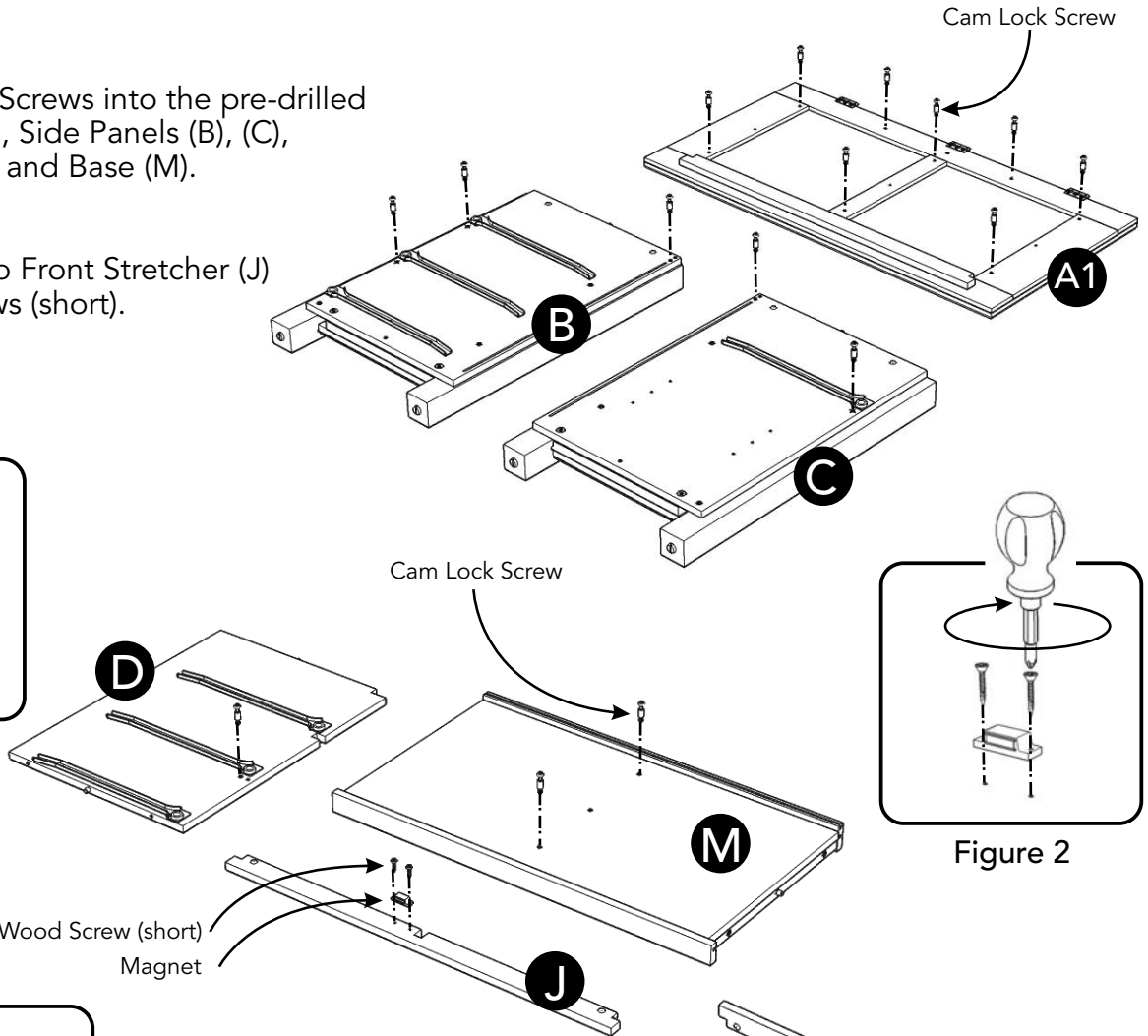


Figure 2

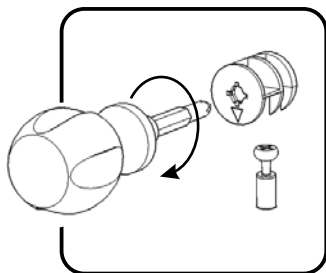


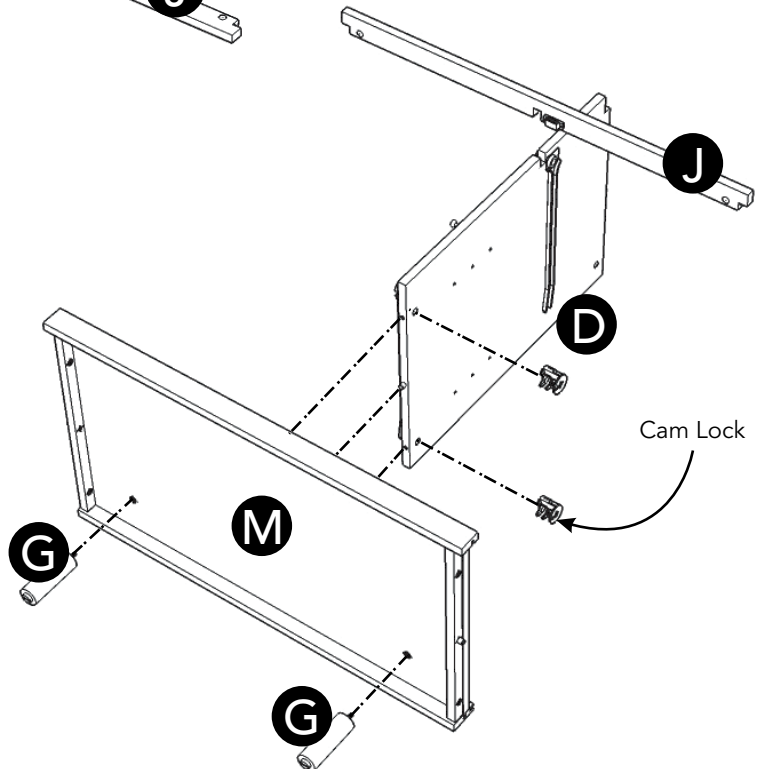
Figure 3

## STEP 2

Attach Legs (G) to Base (M).

Attach Middle Panel (D) to unit with Cam Locks. (See Figure 3)

Attach Front Stretcher (J) to unit.



# Assembly Instructions 3/8

## STEP 3

Attach Back Stretcher (I) and Front Stretcher (K) to Side Panel (B) with Cam Locks.

Attach unit from Step 2 to unit with Cam Lock and Head Cap Bolts. (See Figure 4)

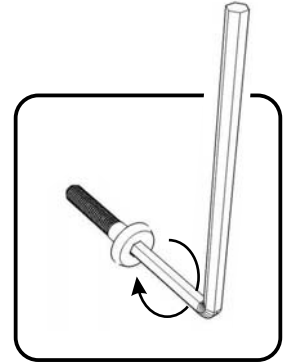
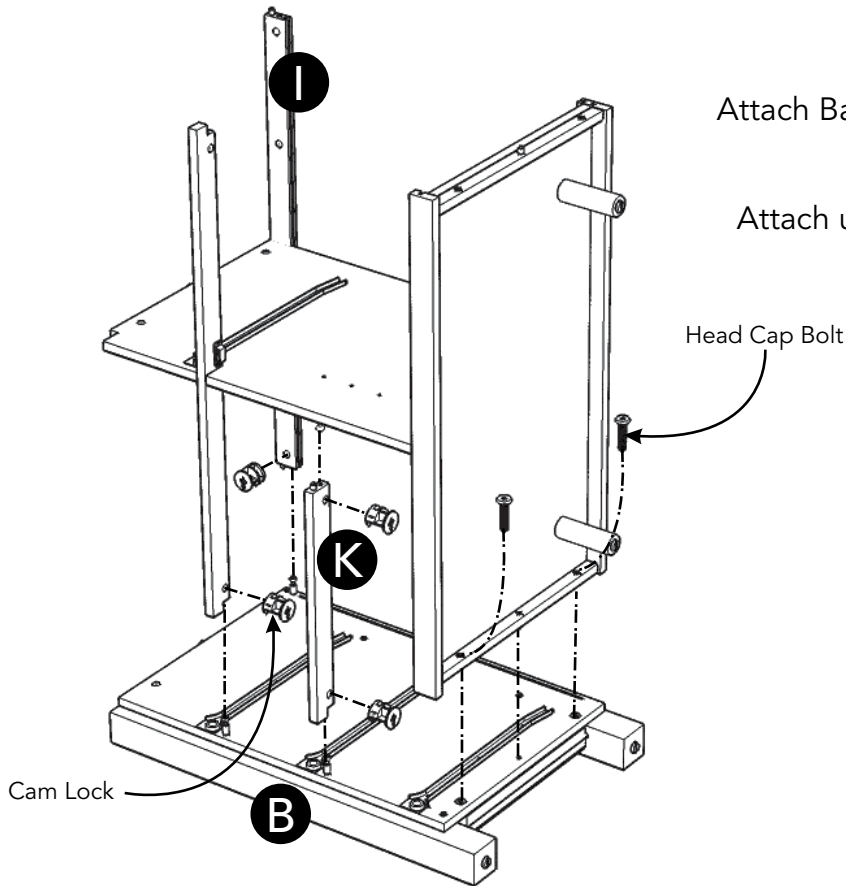
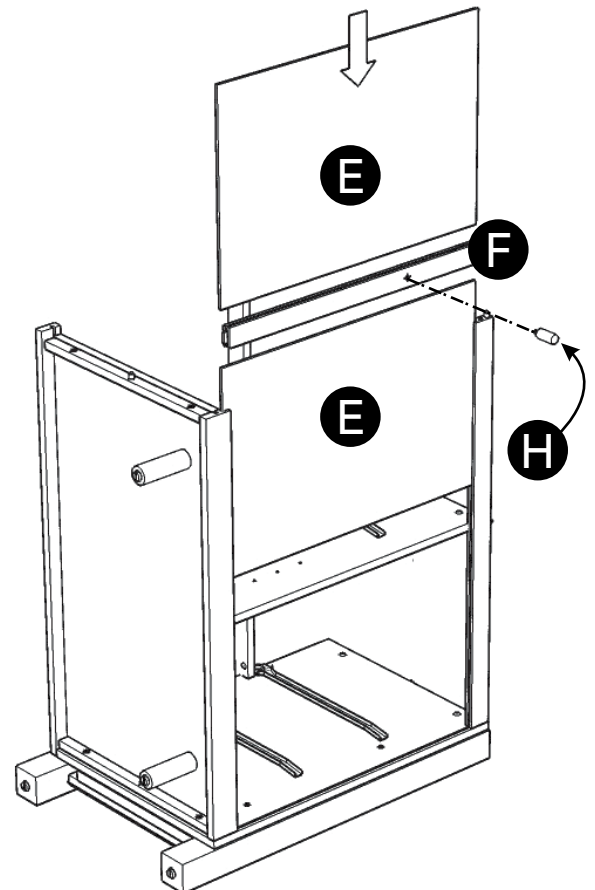
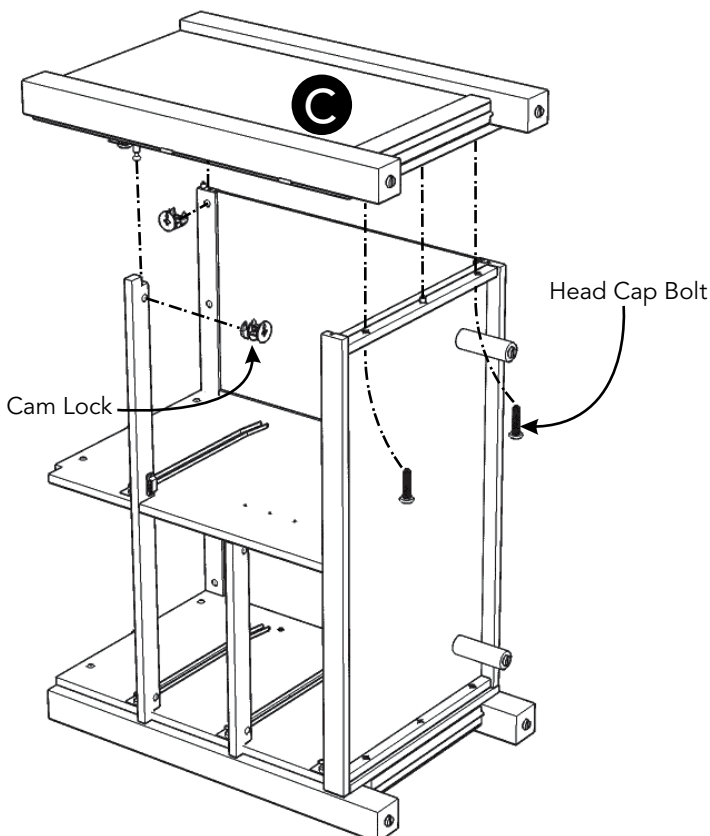


Figure 4

## STEP 4

Slide Back Panels (E) and Back Upright (F) into place.

Attach Back Support (H) to Back Upright (F).



## STEP 5

Attach Side Panel (C) to unit with Cam Locks and Head Cap Bolts.

# Assembly Instructions 4/8

## STEP 6

Attach Leaf Top (A2) to Top (A1) with Wood Screw (middle). (See Figure 5)

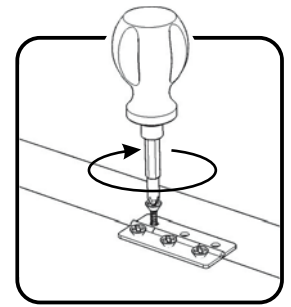
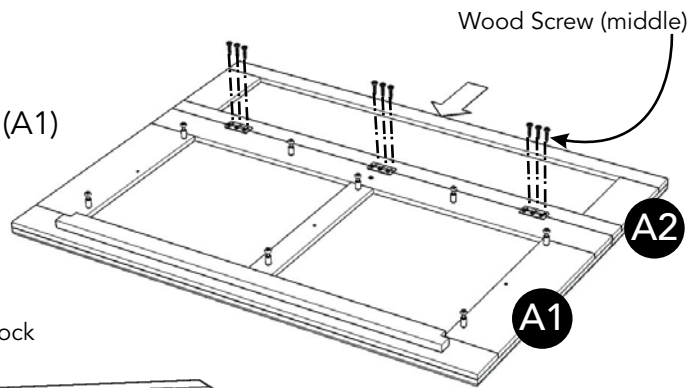


Figure 5

## STEP 7

Turn the unit from Step 5 to its upright position.

Level the unit by adjusting the adjustable levelers on the bottom of legs. (See Figure 6)

Note: Unit must be level to proceed.

Insert Wood Screws (short) into pre-drilled holes of unit.

Attach Top unit from Step 6 to unit from Step 5 with Cam Locks.

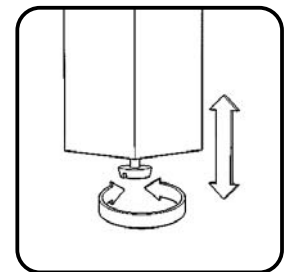
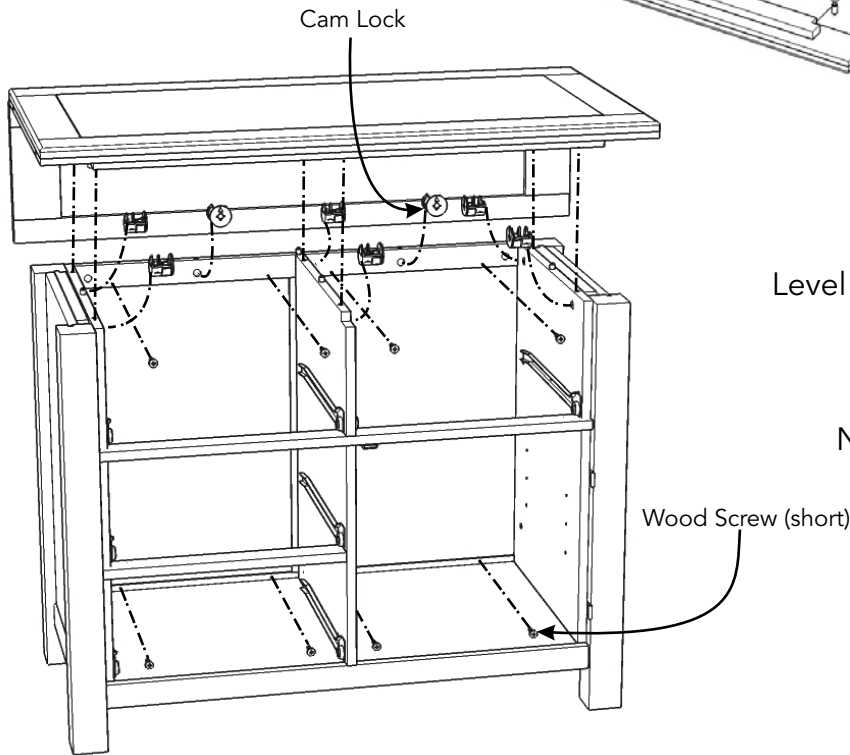


Figure 6

## STEP 8

Attach Knob to Door (N) with Machine Screws. (See Figure 7)

Attach Door (N) to unit by sliding the door lift hinges into the side panel lift hinges. (See Figure 8)

Insert Adjustable Pins into middle panel and side panel at the desired level.

Place Shelf (L) into position.

Slide Drawers (O), (P) and (Q) into position.

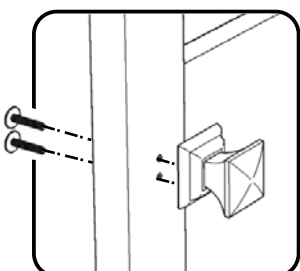
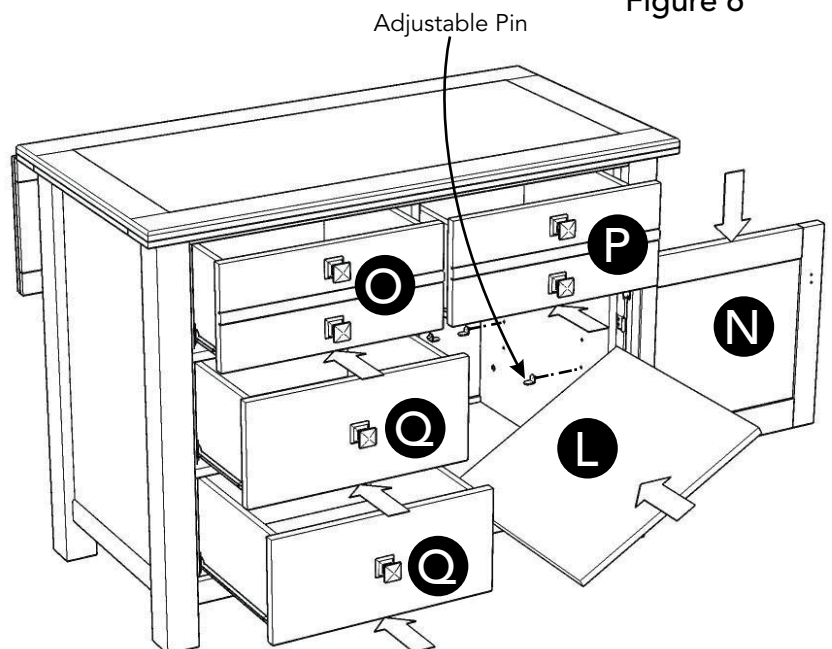


Figure 7

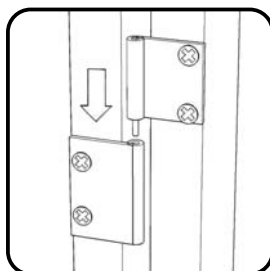
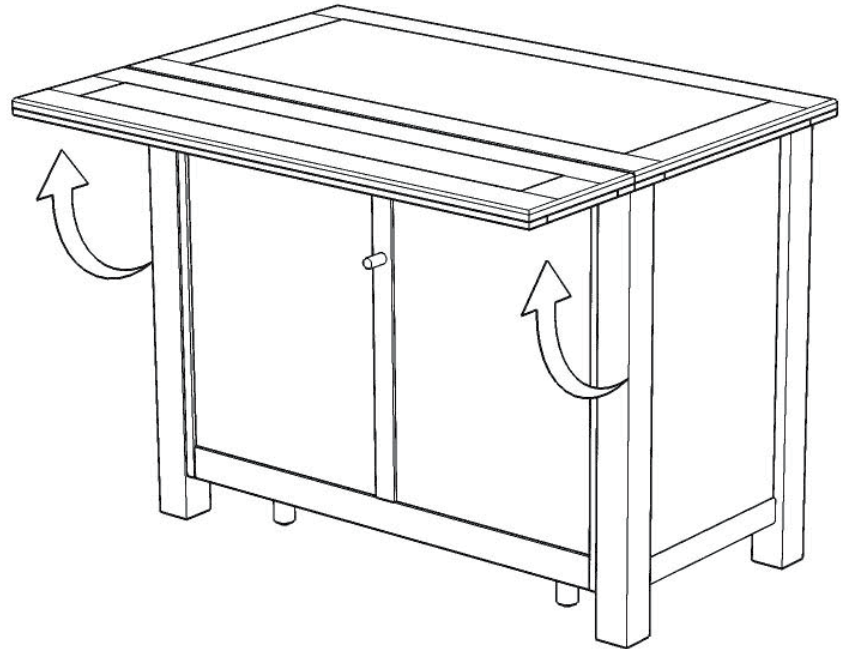


Figure 8

## Top extension instructions

### STEP 1

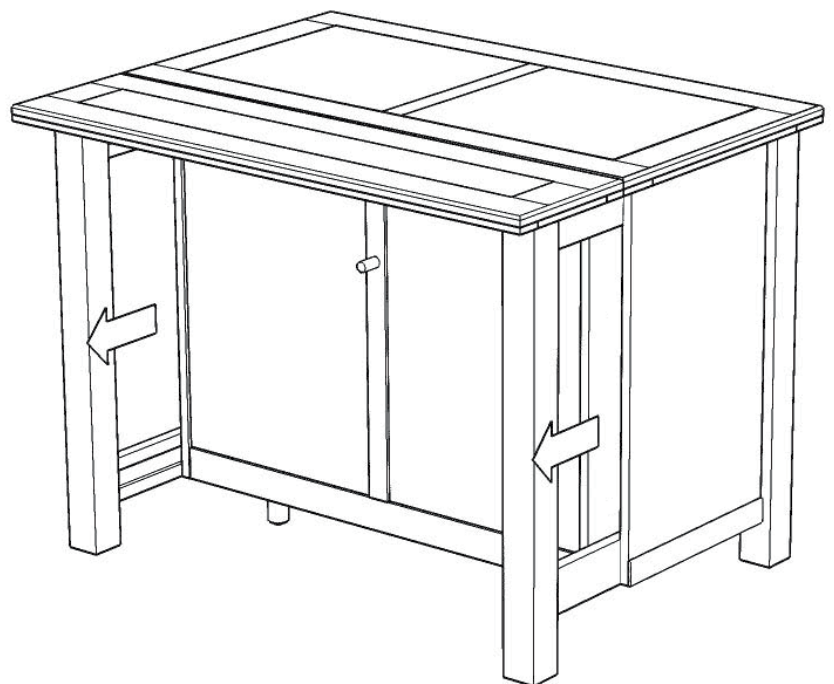
Lift up the Leaf Top.



### STEP 2

Holding the Leaf Top, pull out a back leg from the unit; then pull out the other back leg.

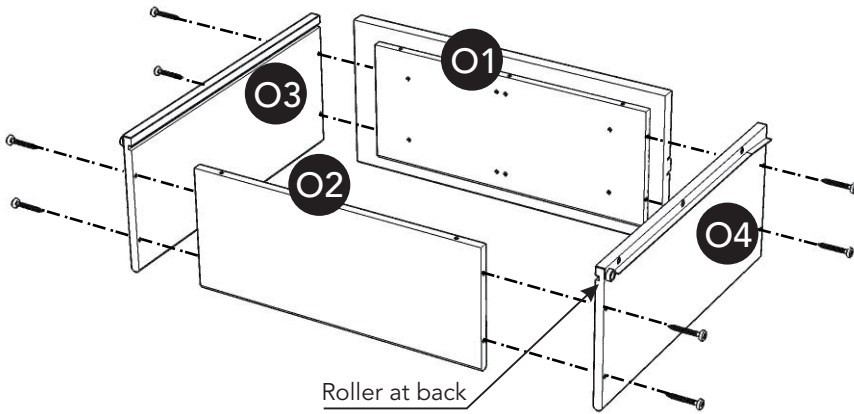
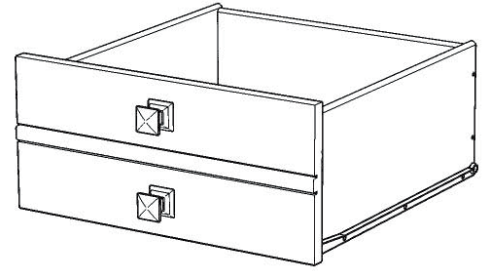
Note: Unit must be level for the back legs to pull out.





## Assembly Instructions 6/8

### Drawer (O)



#### STEP 1

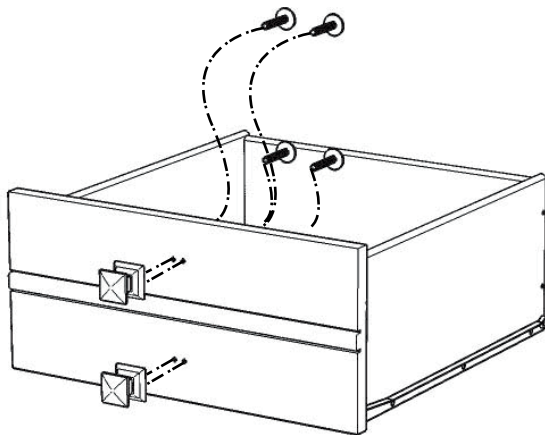
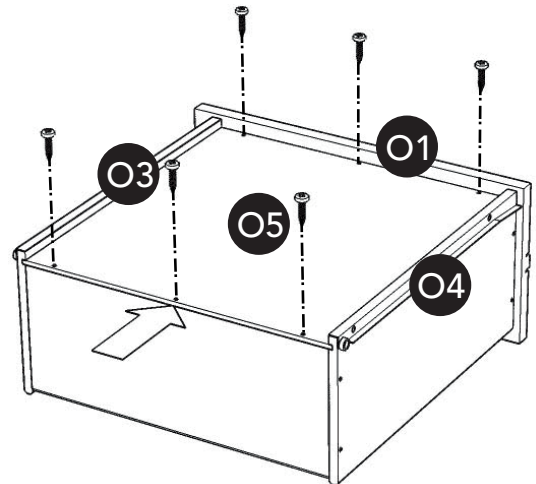
Attach Drawer Front (O1) and Drawer Back (O2) to Drawer Side (O3) with Wood Screws (long).

Attach Drawer Side (O4) to unit with Wood Screws (long).

#### STEP 2

Slide Drawer Bottom (O5) into the grooves of Drawer Sides (O3) and (O4) until it meets Drawer Front (O1).

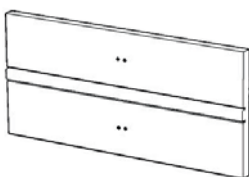
Attach Drawer Bottom (O5) to unit with Wood Screws (short).



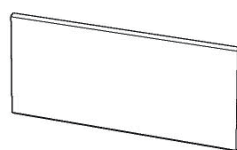
#### STEP 3

Attach Knobs with Machine Screws.

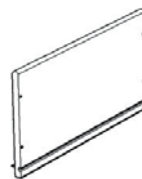
### Part List



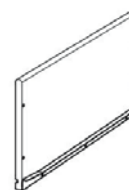
O1.  
Drawer Front  
1 pc.



O2.  
Drawer Back  
1 pc.



O3.  
Drawer Side  
1 pc.



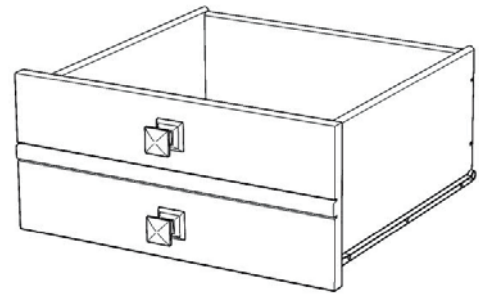
O4.  
Drawer Side  
1 pc.



O5.  
Drawer Bottom  
1 pc.

# Assembly Instructions 7/8

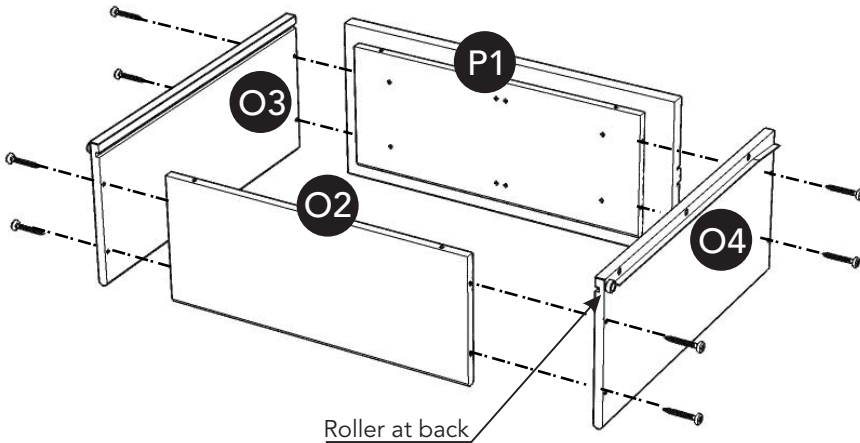
## Drawer (P)



### STEP 1

Attach Drawer Front (P1) and Drawer Back (O2) to Drawer Side (O3) with Wood Screws (long).

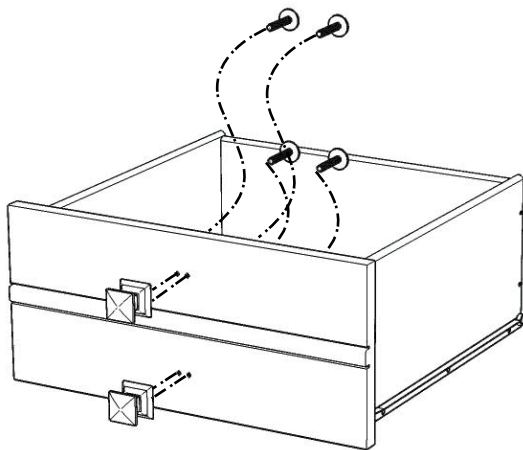
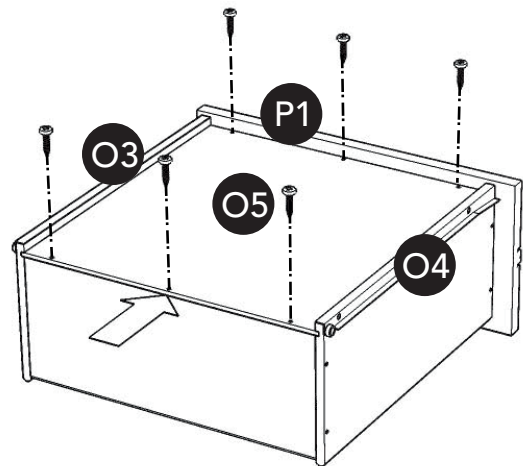
Attach Drawer Side (O4) to unit with Wood Screws (long).



### STEP 2

Slide Drawer Bottom (O5) into the grooves of Drawer Sides (O3) and (O4) until it meets Drawer Front (P1).

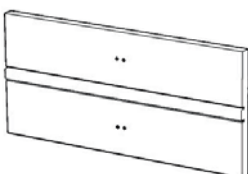
Attach Drawer Bottom (O5) to unit with Wood Screws (short).



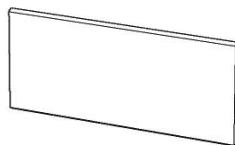
### STEP 3

Attach Knobs with Machine Screws.

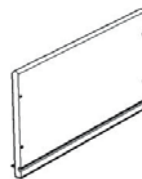
## Part List



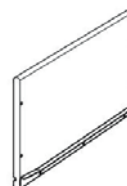
P1.  
Drawer Front  
1 pc.



O2.  
Drawer Back  
1 pc.



O3.  
Drawer Side  
1 pc.



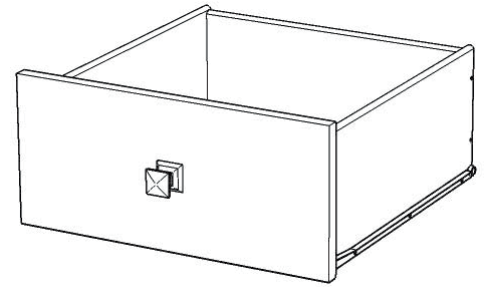
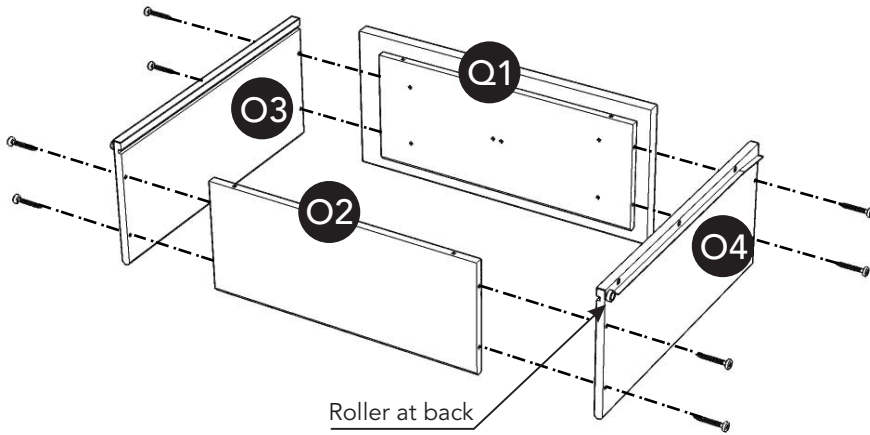
O4.  
Drawer Side  
1 pc.



O5.  
Drawer Bottom  
1 pc.

# Assembly Instructions 8/8

## Drawer (Q)



### STEP 1

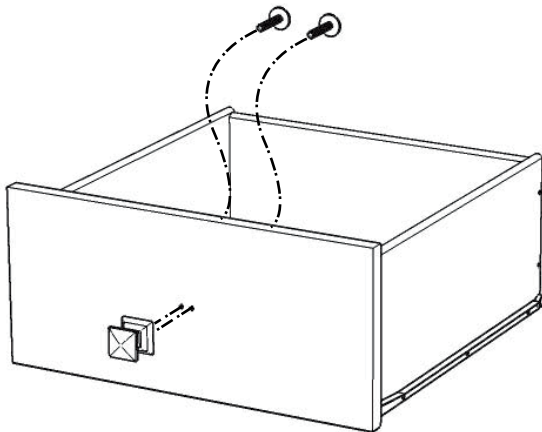
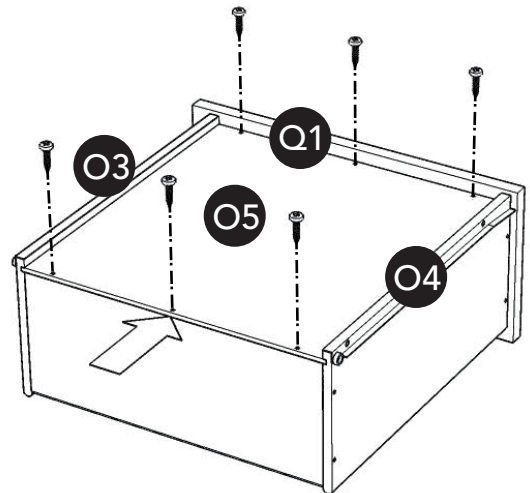
Attach Drawer Front (Q1) and Drawer Back (O2) to Drawer Side (O3) with Wood Screws (long).

Attach Drawer Side (O4) to unit with Wood Screws (long).

### STEP 2

Slide Drawer Bottom (O5) into the grooves of Drawer Sides (O3) and (O4) until it meets Drawer Front (Q1).

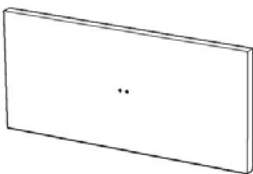
Attach Drawer Bottom (O5) to unit with Wood Screws (short).



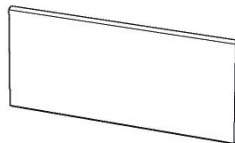
### STEP 3

Attach Knob with Machine Screws.

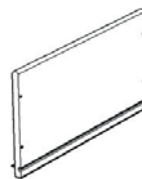
## Part List



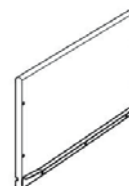
Q1.  
Drawer Front  
2 pcs.



O2.  
Drawer Back  
2 pcs.



O3.  
Drawer Side  
2 pcs.



O4.  
Drawer Side  
2 pcs.



O5.  
Drawer Bottom  
2 pcs.



# CARE INSTRUCTIONS

## NEVER

allow liquids to remain on furniture.  
Absorption causes parts to warp  
and split and finishes to delaminate.

## NEVER

use glass cleaners on  
finished furniture. Ammonia  
chemically attacks the finish.



Do not use power tools  
above 8 volts to assemble.

**PREVENT  
CRACKING**



Do not place  
in direct sunlight.

**PREVENT  
FADING**



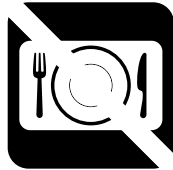
Do not write  
directly on surface.

**PREVENT  
MARKING**



Do not place hot  
objects on surface.

**PREVENT  
FINISH DAMAGE**



Do not use rubber  
based placemats.

**PREVENT  
DISCOLORING**



Do not use commercial  
waxes and polishes.

**PREVENT  
YELLOWING**

## CLEAN

with a soft cloth moistened  
in lukewarm soap and water.  
Buff with a dry clean cloth.



Home Styles will provide replacements free of charge for missing or damaged hardware or parts within 30 days of purchase. Digital images of the defective parts may be required. If the product was not purchased from an authorized retail affiliate, Home Styles is under no obligation to provide replacement parts. Parts are not available for fully assembled items nor are parts available for sale. Replacements for missing or damaged hardware or parts may be requested at:

[www.homestyles-furniture.com/customer-service/replacement-parts](http://www.homestyles-furniture.com/customer-service/replacement-parts)

Home Styles Customer Service: [www.homestyles-furniture.com](http://www.homestyles-furniture.com),  
[servicedesk@homestyles-furniture.com](mailto:servicedesk@homestyles-furniture.com), 888-680-7460, 877-831-0319