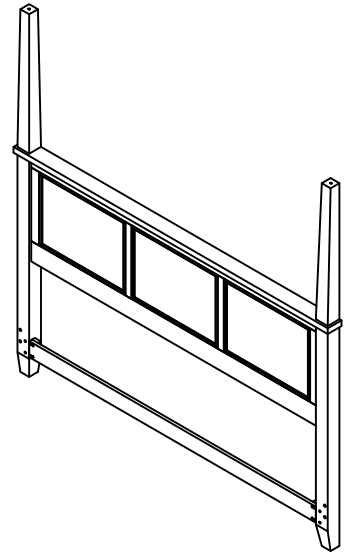


88 5531 611

Bedford

King Poster Headboard



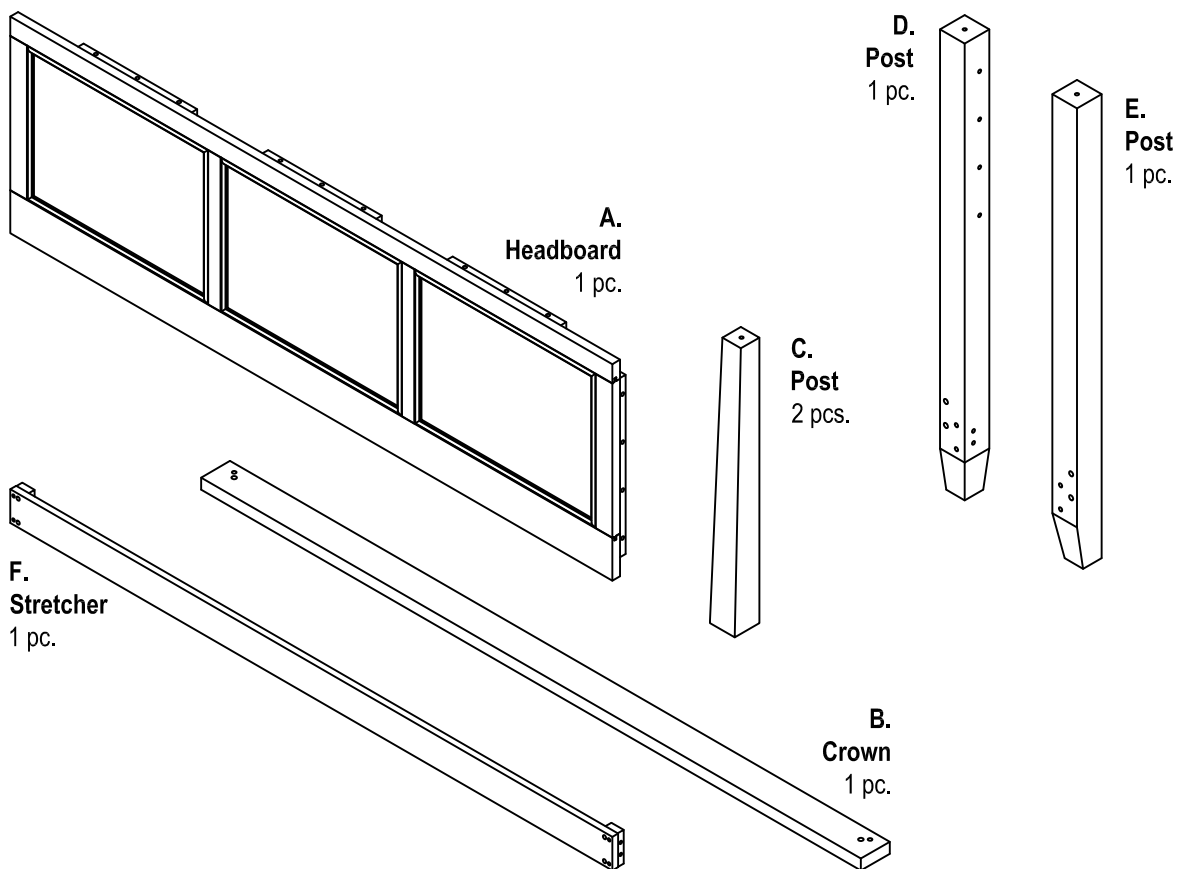
IMPORTANT NOTE

Carefully remove all the parts from the carton and put them individually on a soft cloth to prevent scratches or other damages occurring to the parts.

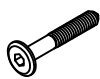
We have taken great care in the design of this product and request that you carefully and strictly follow our assembly instructions to ensure a completed product as it was designed.

Home Styles

Part List



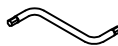
Hardware List



Head Cap Bolt
21 pcs. (+1 extra)



Flat Washer
21 pcs. (+1 extra)



Key Wrench
1 pc.



Small Key Wrench
1 pc.



Bolt
2 pcs. (+1 extra)



Square Washer
2 pcs. (+1 extra)



Nut
2 pcs. (+1 extra)



Wrench
1 pc.



Wooden Dowel
2 pcs. (+1 extra)

Home Styles Consumer Assistance: www.homestyles-furniture.com,
servicedesk@homestyles-furniture.com, 888-680-7460, 877-831-0319

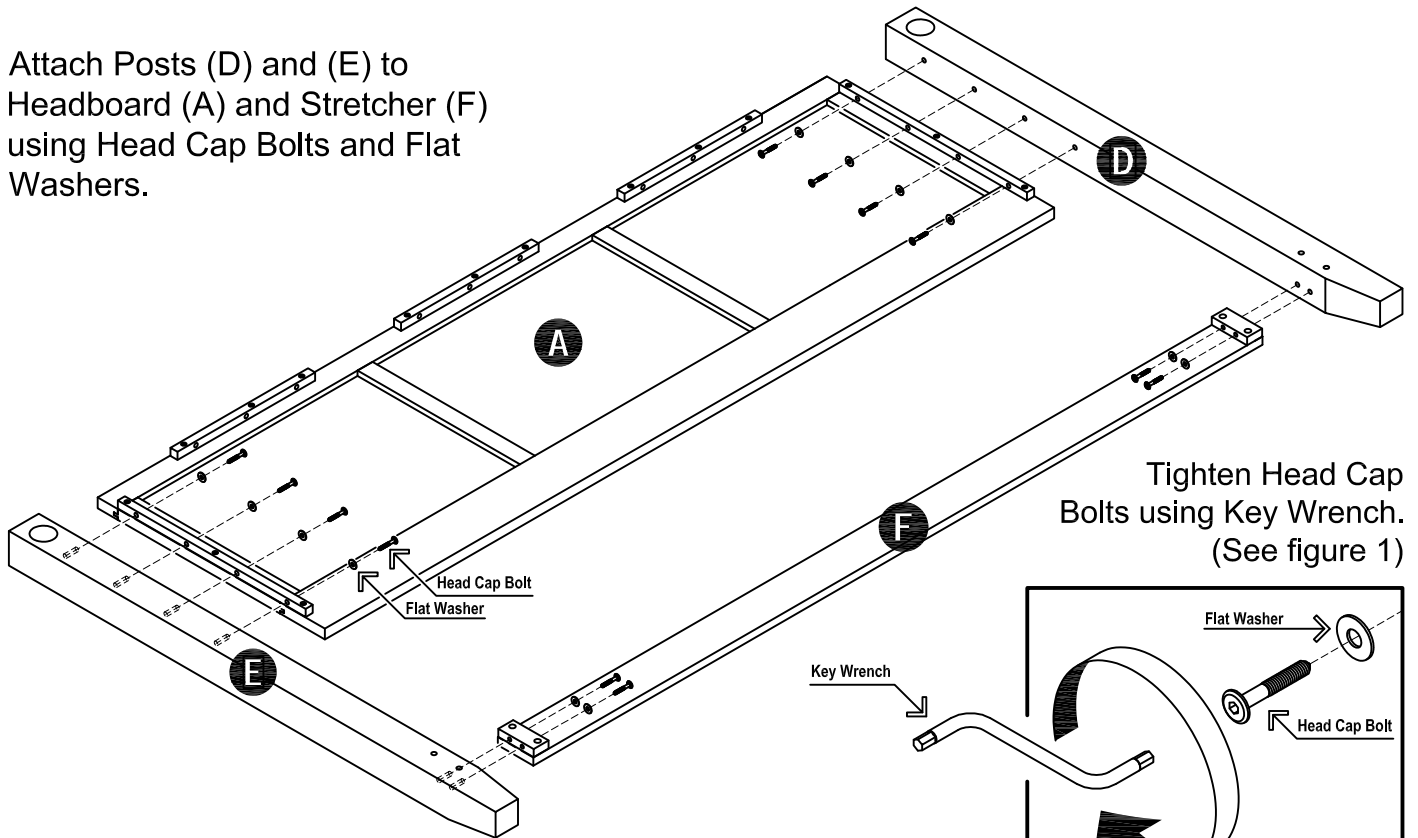
Assembly Instructions 2/3

IMPORTANT

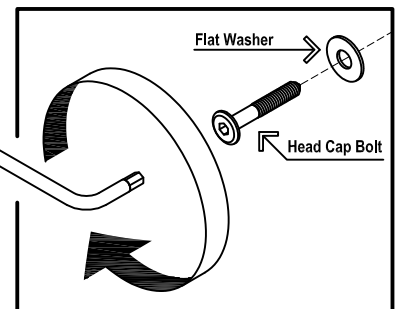
- * Do not tighten up all the bolts until each part is properly assembled.
- * You should keep Key Wrench in a safe place as you may need to tighten up the bolts in the future.

STEP 1

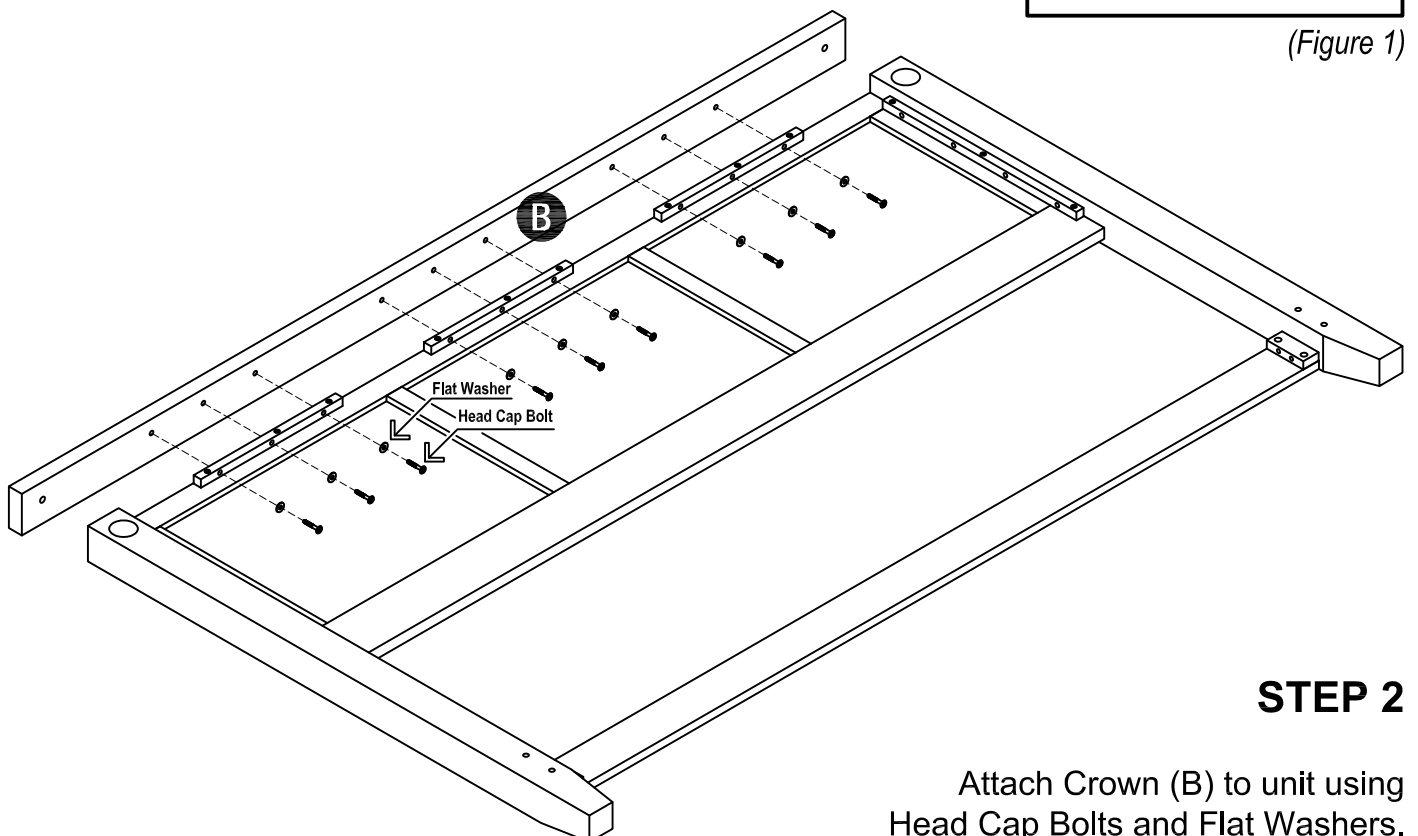
Attach Posts (D) and (E) to Headboard (A) and Stretcher (F) using Head Cap Bolts and Flat Washers.



Tighten Head Cap Bolts using Key Wrench.
(See figure 1)



(Figure 1)



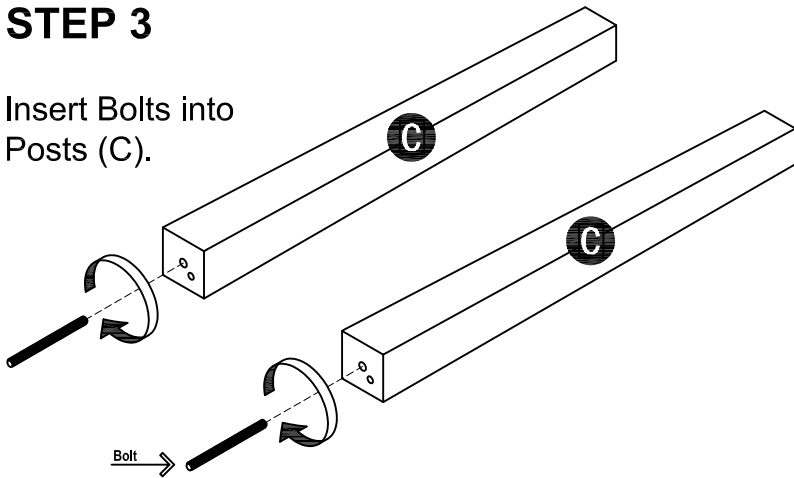
STEP 2

Attach Crown (B) to unit using Head Cap Bolts and Flat Washers.

Assembly Instructions 3/3

STEP 3

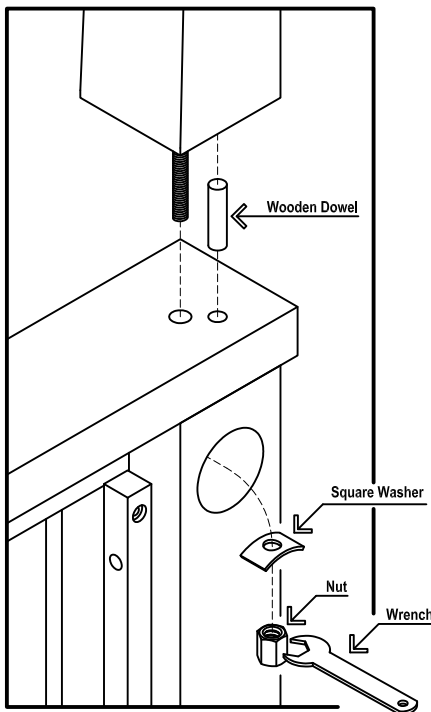
Insert Bolts into Posts (C).



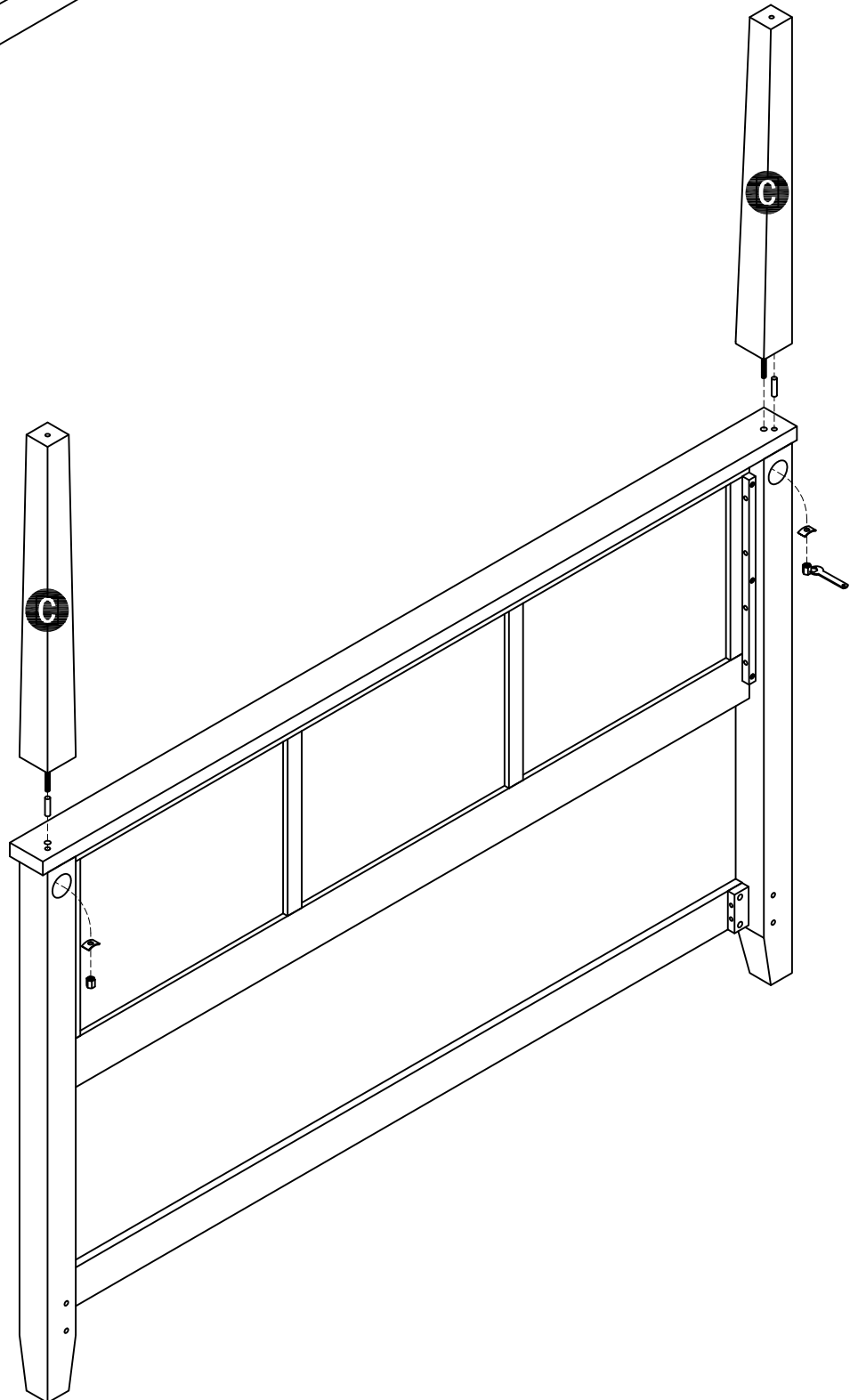
STEP 4

Attach Posts (C) to unit using Square Washers, Nuts and Wooden Dowel.

Tighten the Bolts with Wrench (See figure 2)



(Figure 2)



VERY IMPORTANT !!

CARE INSTRUCTIONS

NEVER

USE GLASS CLEANERS ON FINISHED FURNITURE. AMMONIA WILL CHEMICALLY ATTACK THE LACQUER.

NEVER

ALLOW LIQUIDS OF ANY KIND TO REMAIN ON THE FURNITURE. ABSORPTION CAUSES WOOD TO WARP AND SPLIT AND FINISHES TO DELAMINATE.

DO NOT WRITE DIRECTLY ON SURFACE.



PREVENT MARKING

DO NOT PLACE IN DIRECT SUNLIGHT.



PREVENT FADING

DO NOT USE COMMERCIAL WAXES AND POLISHES.



PREVENT YELLOWING

DO NOT PLACE HOT OBJECTS ON SURFACE.



PREVENT FINISH DAMAGE

DO NOT USE RUBBER BASED PLACE MATS.



PREVENT DISCOLORING

TO CLEAN

USE A SOFT CLOTH MOISTENED IN LEMON OIL POLISH OR LUKEWARM SOAP AND WATER, THEN BUFF WITH A DRY CLEAN CLOTH.



Home Styles will provide replacements free of charge for missing or damaged hardware or parts within 30 days of purchase. Digital images of the defective parts may be required. If this product was not purchased from an authorized retail affiliate, Home Styles is under no obligation to provide replacement parts. Parts are not available for fully assembled items nor are parts available for sale. Replacements for missing or damaged hardware or parts may be requested at:

www.homestyles-furniture.com/customer_service

Home Styles Consumer Assistance: www.homestyles-furniture.com,
servicedesk@homestyles-furniture.com, 888-680-7460, 877-831-0319