

# Kräus®

www.kraususa.com

**Model No.**  
**KWU1N0-36**

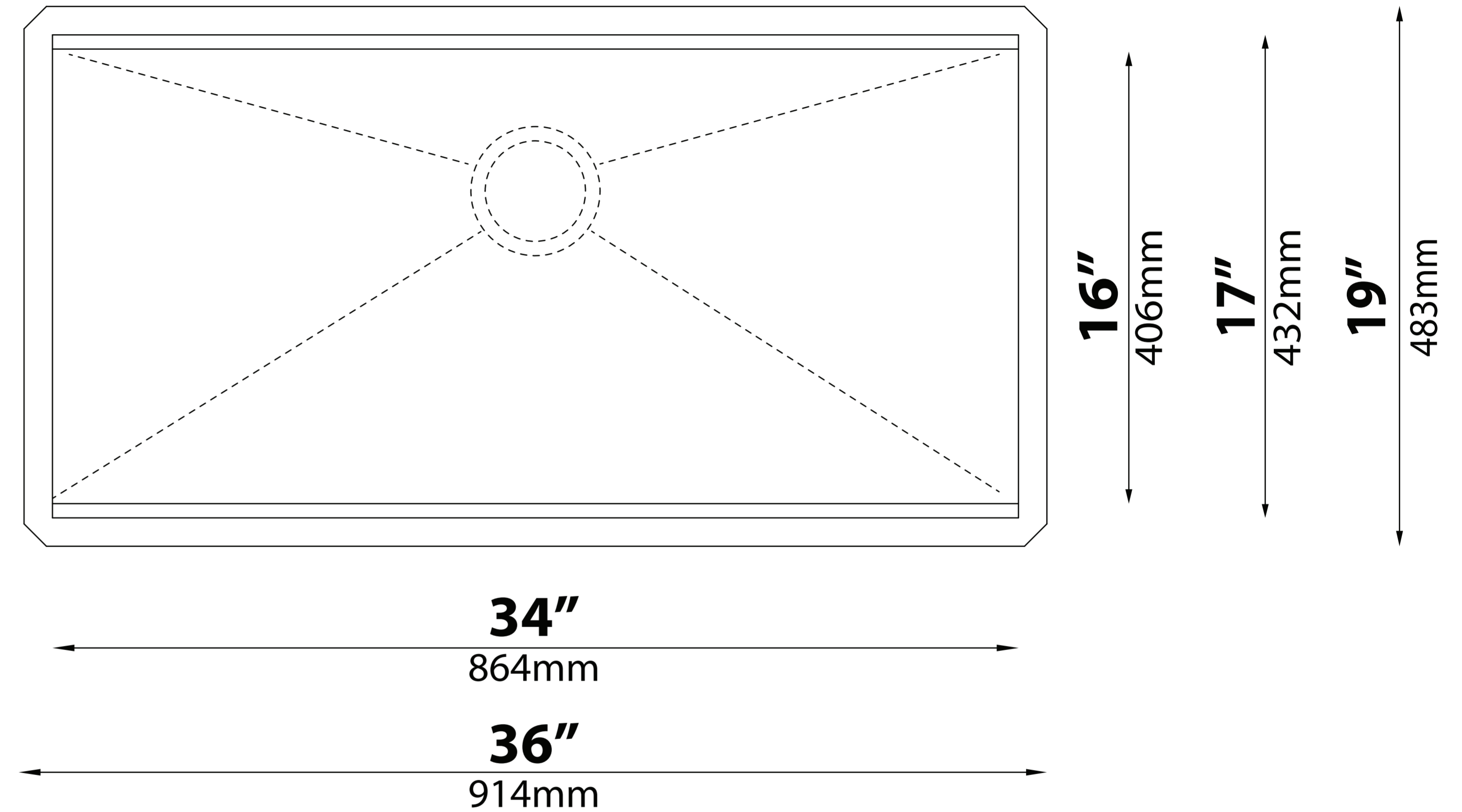
**Undermount Cut-out**

Pro Hotline: 516.801.8955

Customer Service: 800.775.0703

**NOTES:**

- 1.The "N" in the Model Number refers to the drain location.
- 2.Cutout template is provided as a guide **ONLY** and must be checked against actual sink to verify correct fit.



Please tear perforated edge for zero / flushed reveal →

Please use outer edge for positive reveal 3/8" →

RP:KP22301  
8 40239 60626 6