



## **Spare Parts List**

**(1.008-653.0)**

**EX7 - 115V**

## ***How to Use this Spare Parts List***

---

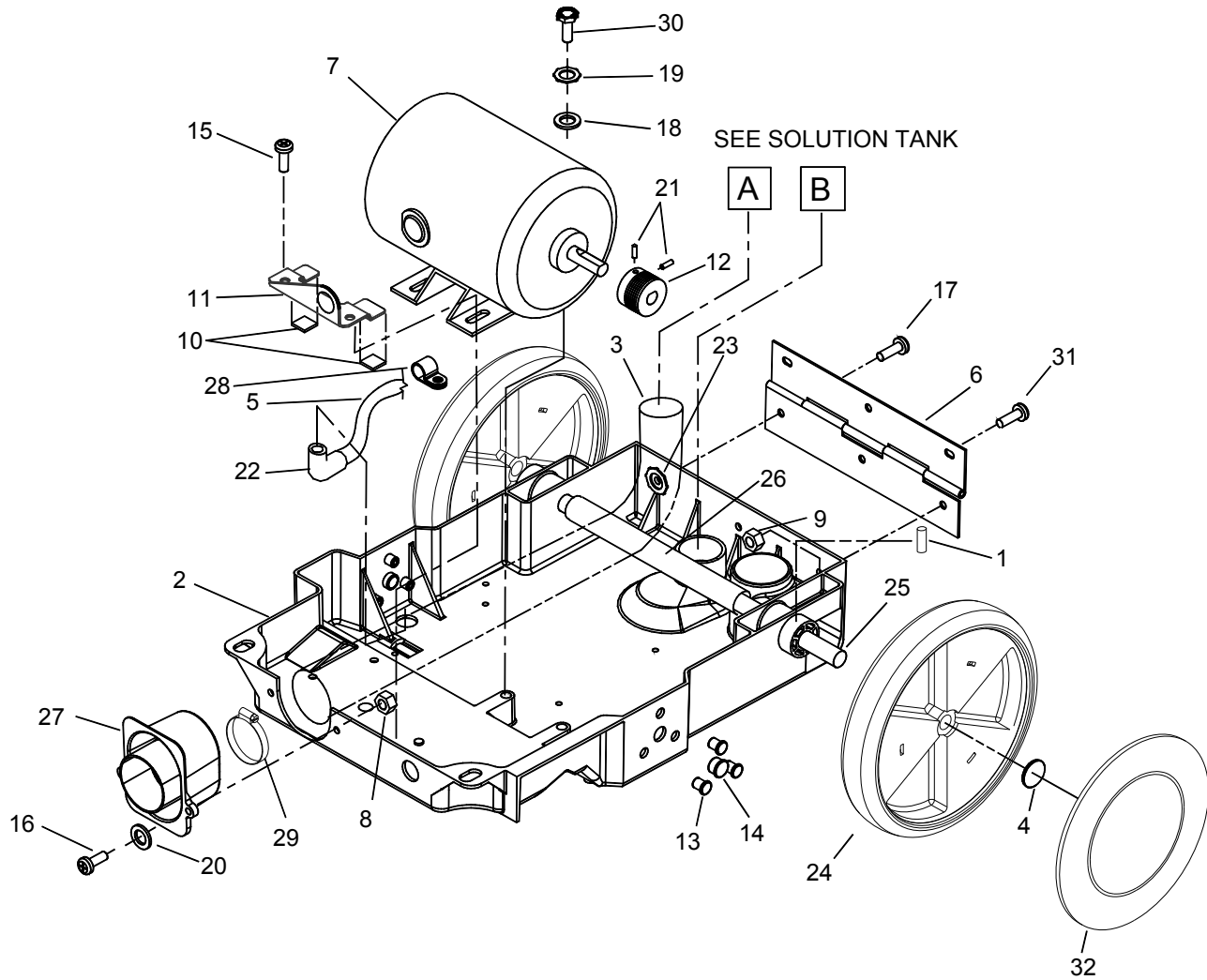
The PARTS LIST section contains assembled parts illustrations and corresponding parts list. The parts lists include a number of columns of information:

- REF - column refers to the reference number on the parts illustration.
- PART NO. - column lists the part number for the part.
- QTY - column lists the quantity of the part used in that area of the machine.
- DESCRIPTION - column is a brief description of the part.
- SERIAL NO. FROM - If this column has an (\*) and a Reference number, see the SERIAL NUMBERS page in the back of your manual. If column has two asterisk (\*\*), call manufacturer for serial number. The serial number indicates the first machine the part number is applicable to. The main illustration shows the most current design of the machine. When a boxed illustration is shown, it displays the older design.
- NOTES - column for information not noted by the other columns.

**NOTE:** *If a service or option kit is installed on your machine, be sure to keep the KIT INSTRUCTIONS which came with the kit. It contains replacement parts numbers needed for ordering future parts.*

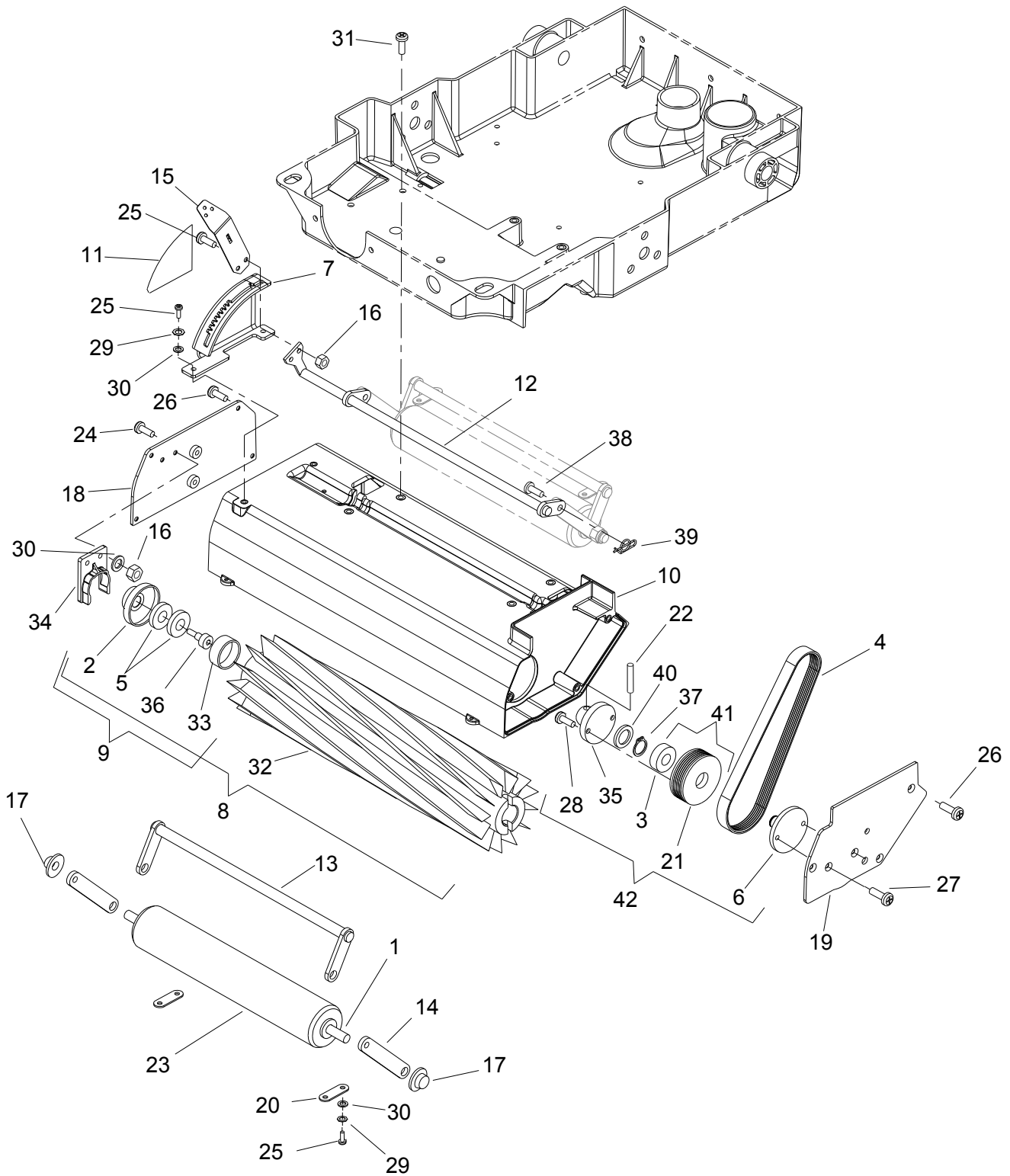
<b>How to Use this Spare Parts List</b> .....	<b>2</b>
<b>Table of Contents</b> .....	<b>3</b>
Frame Assembly .....	4
Brush Assembly .....	6
Pump .....	8
Vacuum Shoe .....	10
Control Panel .....	12
Solution Tank .....	14
Recovery Tank .....	16
Wiring Diagram .....	18
Serial Numbers .....	19

# Frame Assembly

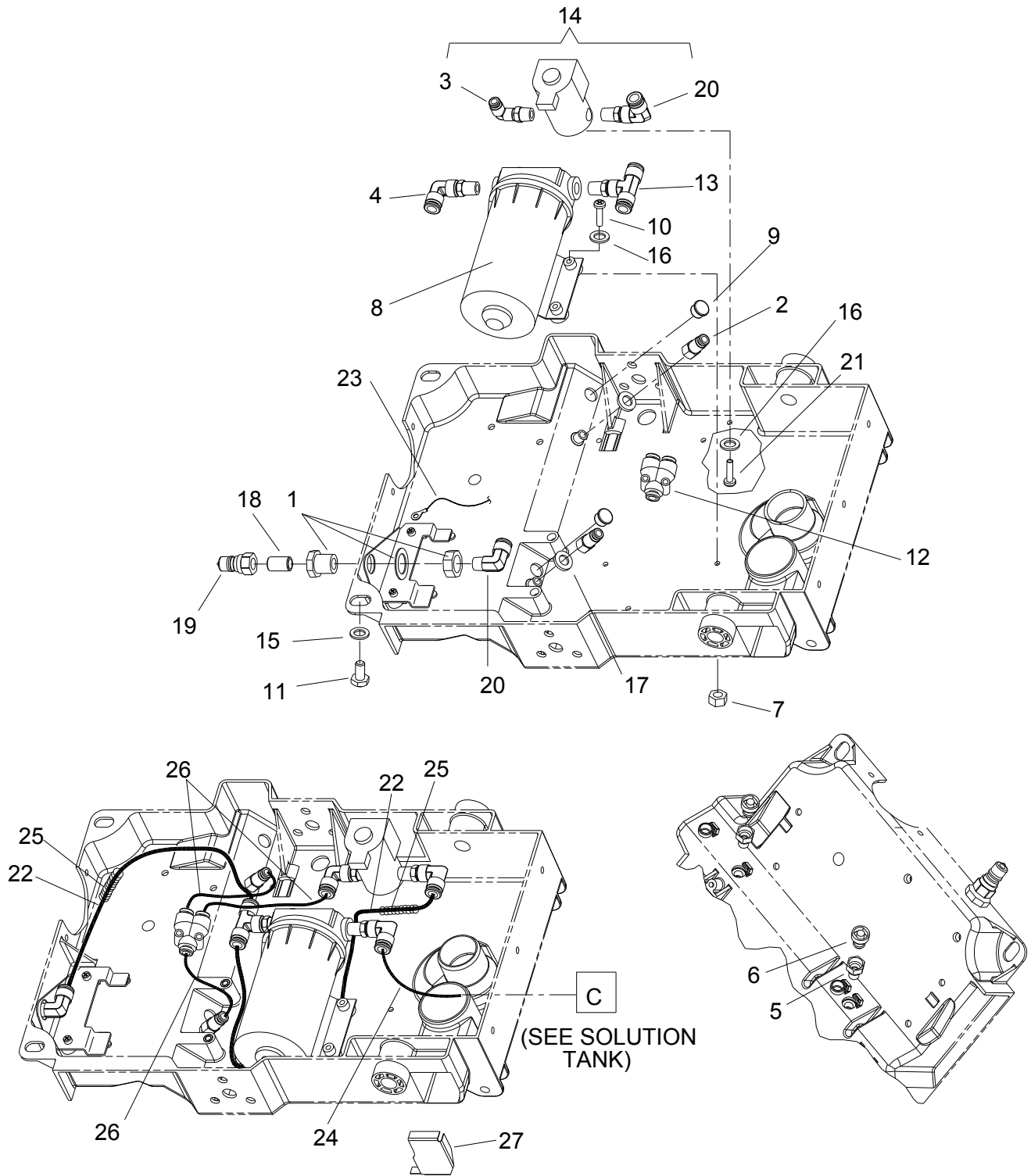


REF	PART NO.	QTY	DESCRIPTION	SERIAL NO. FROM	NOTES
1	86272160	1	PIN, ROLL 1/8" X 1.0"L		
2	86003620	1	FRAME		
3	86004340	1	HOSE ASM, 1.5 BLK VAC X 15.5		
4	86001660	2	HUBCAP, 5/8" SHAFT		
5	86004480	1	HARNESS, MAIN		
6	86239610	1	HINGE, TANK TO FRAME		
7	86026150	1	MOTOR ASM, BRUSH		
8	86005640	2	NUT, 10-32 HEX NYLOCK		
9	86005810	3	NUT, 1/4-20 HEX NYLOCK SS		
10	86198530	2	FOAM TAPE, 1/8 THK X 3/4 1SDA		
11	86249430	1	PLATE, BRUSH MTR CLAMP		
12	86006020	1	PULLEY, 1.4 OD, 6GR, MICRO-V		
13	86250130	6	PLUG, HOLE, .375" BLK		
14	86250140	2	PLUG, 9/16 OD BLK NYLON		
15	86006580	2	SCR, 1/4-20 X 1/2 PPHMS SS		
16	86273980	2	SCR, 10-32 X 3/4 PPHMS		
17	86276610	1	SCR, 1/4-20 X 1.25 PPHMS SS		
18	86010630	2	WASHER, 1/4 ID X 5/8 OD SS		
19	86010660	2	WASHER, 1/4 LOCK EXT STAR SS		
20	86010650	2	WASHER, #10 X 9/16 OD		
21	86006550	2	SET SCR, 10-32 X 1/4 KCP		
22	86256190	1	STRAIN RELIEF, 90 DEGREE		
23	86005710	3	NUT, 1/4-20 HEX W/ STAR WASHER		
24	86226050	2	WHEEL, 9.75" X 1.5"		
25	86066230	1	AXLE, 5/8 X 17.06L		
26	86134490	10"	HEAT SHRINK, 3/4 ID UL/CSA		
27	86253090	1	SEAL, FRAME/TANK		
28	86002370	1	CLAMP, 7/16 DIA NYLON UL		
29	86233140	1	CLAMP, 2.0" WORM GEAR		
30	86274760	2	SCR, 1/4-20 X 1/2 HHCS PLTD		
31	86006530	2	SCR, 1/4-20 X 1 PPHMS SS		
32	86300070	2	HUBCAP, 9.75" WHEEL, BLACK		

# Brush Assembly



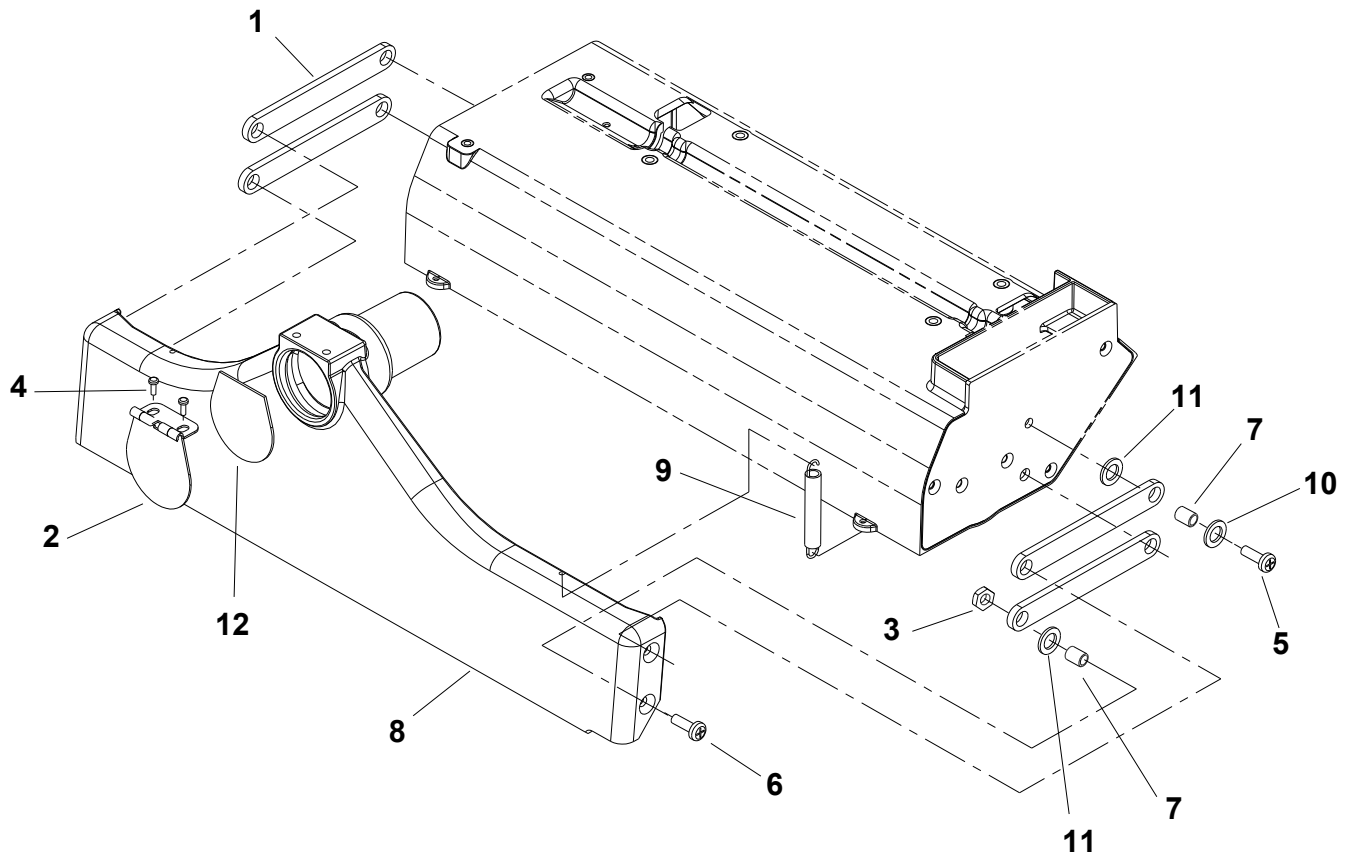
REF	PART NO.	QTY	DESCRIPTION	SERIAL NO. FROM	NOTES
1	86000730	1	AXLE, ROLLER		
2	86227150	1	ADAPTER, BRUSH BRG. DIE CAST		
3	86000900	2	BEARING, 1.125ODX.500IDX.375		
4	86001100	1	BELT, 180J6 MICRO-V		
5	86228890	2	BEARING, R6 3/8 ID		
6	86001300	1	BRKT, BRUSH PULLEY		
7	86001310	1	BRKT, BRUSH HEIGHT		
8	86001140	1	BRUSH ASM, 15 IN		
9	86004750	1	KIT, BRNG/ADPTR EXTRCTR		
10	86004470	1	HOUSING, BRUSH 15"		
11	86396740	1	LABEL, BRUSH HEIGHT		
12	86093080	1	LINKAGE, ASM, BRUSH HEIGHT		
13	86005110	1	LINKAGE ASM, ROLLER SUPPORT		
14	86005120	2	LINK, ROLLER, FRONT		
15	86005130	1	LEVER, HEIGHT ADJUSTMENT		
16	86005640	4	NUT, 10-32 HEX NYLOCK		
17	86005850	2	NUT, 3/8 DIA CAP, TYPE PUSH PLT		
18	86249410	1	PLATE, BRUSH HOUSING RH		
19	86249420	1	PLATE, BRUSH HOUSING LH		
20	86264700	2	PLATE, AXLE RETAINER		
21	86250680	1	PULLEY, 2.2 OD, 6GR, MICRO-V		
22	86006220	1	PIN, ROLL 1/4 X 1.25L		
23	86006430	1	ROLLER, 1.9 DIA X 10.5 LG		
24	86006510	2	SCR, 10-32 X 5/8 PFHMS		
25	86006590	6	SCR, 10-32 X 1/2 PPHMS SS DL		
26	86006650	7	SCR, 10-32 X 1/2 FHMS SS		
27	86006700	2	SCR, 10-32 X 3/8 FHMS SS		
28	86275530	2	SCR, #10-24 X 1/2 SHCS		
29	86010640	4	WASHER, #10 LOCK EXT STAR SS		
30	86010650	6	WASHER, #10 X 9/16 OD		
31	86007030	4	SCREW, 1/4-20 X .625 PHTRHMS STL DL		
32	86230620	1	BRUSH, 15 L X 3.35 OD G2		
33	86251710	1	RING, TOLERANCE 7/8		
34	86003070	1	CLIP, BEARING		
35	86003370	1	DRIVER, BRUSH		
36	86278330	1	SHOULDER BOLT, 3/8 X .375L SS		
37	86272770	1	RING, 1/2 EXT. SNAP		
38	86272510	2	PIN, CLEVIS 1/4 X 1/2 PLTD		
39	86008650	2	COTTER, 1/4" RING		
40	86342240	1	SPACER, .81 X 1.06 X .125		
41	86006030	1	PULLEY ASM, BRUSH		
42	86003390	1	DRIVER ASM, BRUSH		





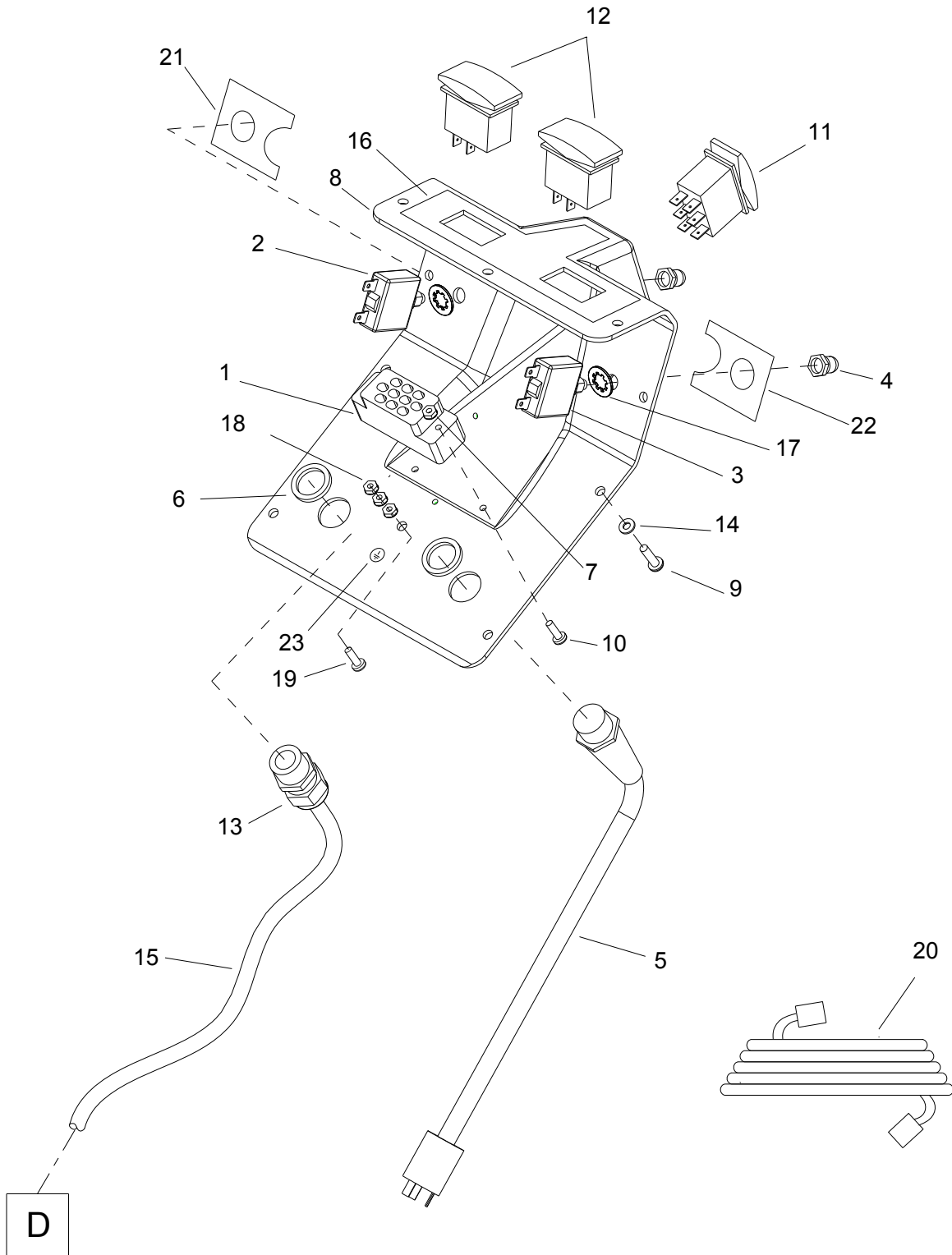
REF	PART NO.	QTY	DESCRIPTION	SERIAL NO. FROM	NOTES
1	86002470	1	COUPLING, 1/4 ANCHOR W/1" HEX		
2	86002480	2	CONNECTOR, 1/8FPT X 1/4 TUBEQC		
3	86003470	1	ELBOW, SWIVEL, 1/4MPTX1/4TUBE		
4	86003490	1	ELBOW, SWIVEL, 3/8MPTX3/8TUBEQC		
5	86004570	2	JET BODY, MINI PROMAX BODY		
6	86004580	2	JET, MINI PROMAX 9504		
7	86005640	2	NUT, 10-32 HEX NYLOCK		
8	86026410	1	PUMP ASM, 120V SHURFLO		
9	86250140	2	PLUG, 9/16 OD BLK NYLON		
10	86274410	2	SCR, 10-32 X 1.25 PPHMS SS		
11	86273750	2	SCR, 1/4-20 X 5/8 HHCS SS		
12	86003640	1	FITTING, 1/4 TUBE, "Y", QC		
13	86008360	1	TEE, 3/8 MPT X 3/8 TUBE, QC		
14	86258900	1	VALVE ASM, 120V		
15	86010810	2	WASHER, 1/4"IDX1.0OD. FLAT SS		
16	86010650	4	WASHER, #10 X 9/16 OD		
17	86010820	2	WASHER, 7/16 X 3/4 X .19RUBBER		
18	86005590	1	NIPPLE 1/4 CLOSE		
19	86005580	1	NIPPLE 1/4 FPT QD		
20	86003500	2	ELBOW, 1/4 MPT X 3/8 TUBE, QC		
21	86006590	2	SCR, 10-32 X 1/2 PPHMS SS		
22	86282350	2	HOSE, 3/8 ID NYLON YLW X 17"		
23	86267400	1	WIRE, 22" GRN/18 76011 X 76011		
24	86282340	1	HOSE, 3/8 OD X 1/4 ID URTHN X 22"		
25	86279930	2	DUCT, 1/2 ID SPLT FLX X 16"		
26	86281900	3	HOSE, 1/4 ID NYLON X 5"		
27	86253020	1	SCREEN, INTAKE		

# Vacuum Shoe



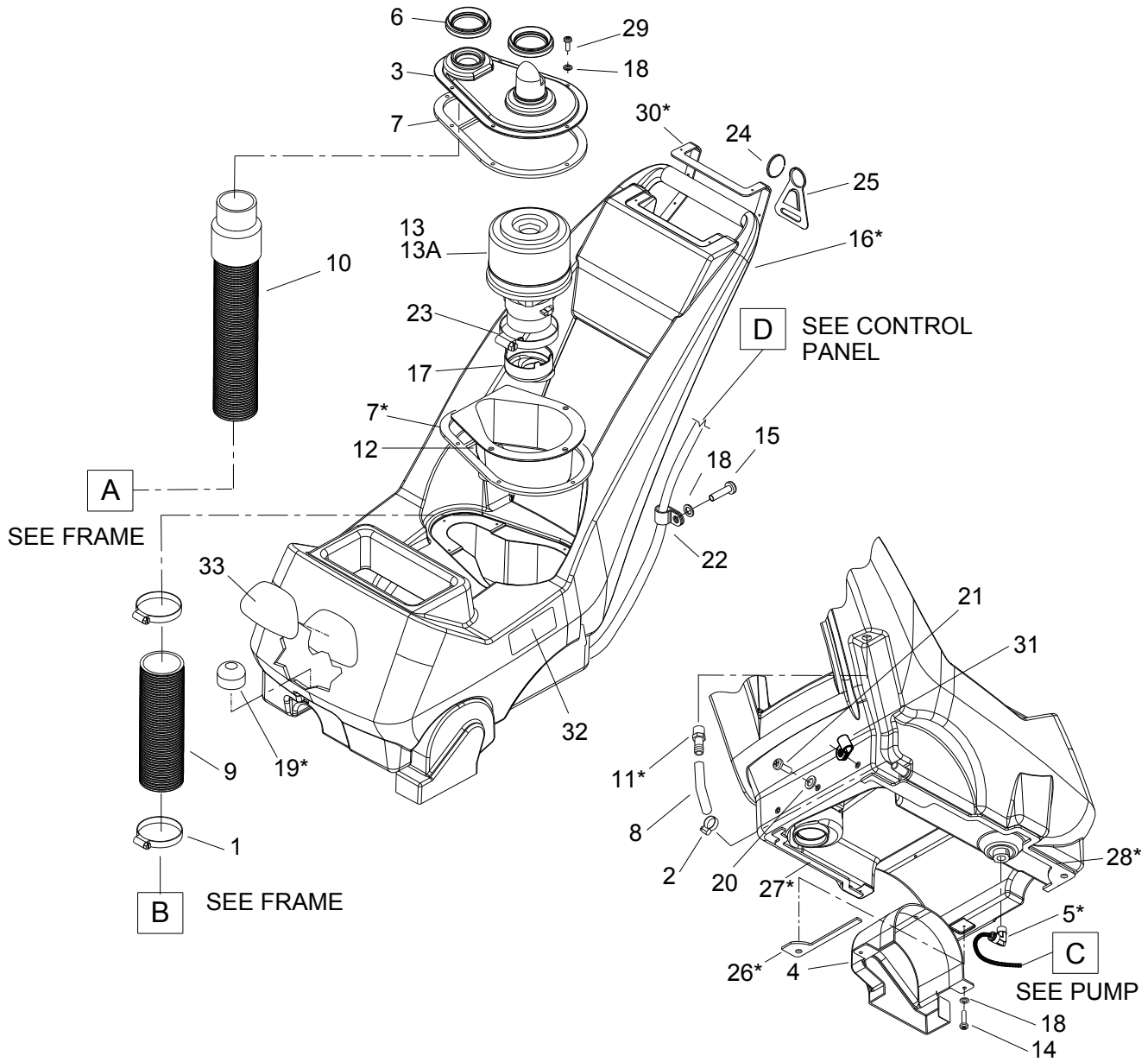
REF	PART NO.	QTY	DESCRIPTION	SERIAL NO. FROM	NOTES
1	86227350	4	ARM, VAC SHOE PARALLEL		
2	86234760	1	COVER, ACCESSORY PORT		
3	86005810	4	NUT, 1/4-20 HEX NYLOCK SS		
4	86006790	2	SCR, 10-32 X 3/8 HHTR W/STAR		
5	86275120	4	SCR, 1/4-20 X.75 PPHMS PHIL		
6	86006840	4	SCR, 1/4-20 X 1 FHCS PLTD		
7	86008130	8	SPACER, 3/8ODX.058WX.2814,CRS		
8	86010620	1	VAC SHOE, 15"		
9	86008120	2	SPRING, EXT .38D X2.75L X.055W		
10	86010630	4	WASHER, 1/4 ID X 5/8 OD SS		
11	86010700	8	WASHER, WAVE 3/8ID X3/4D X.125		
12	86003780	1	GASKET, ACCESSORY PORT		

# Control Panel



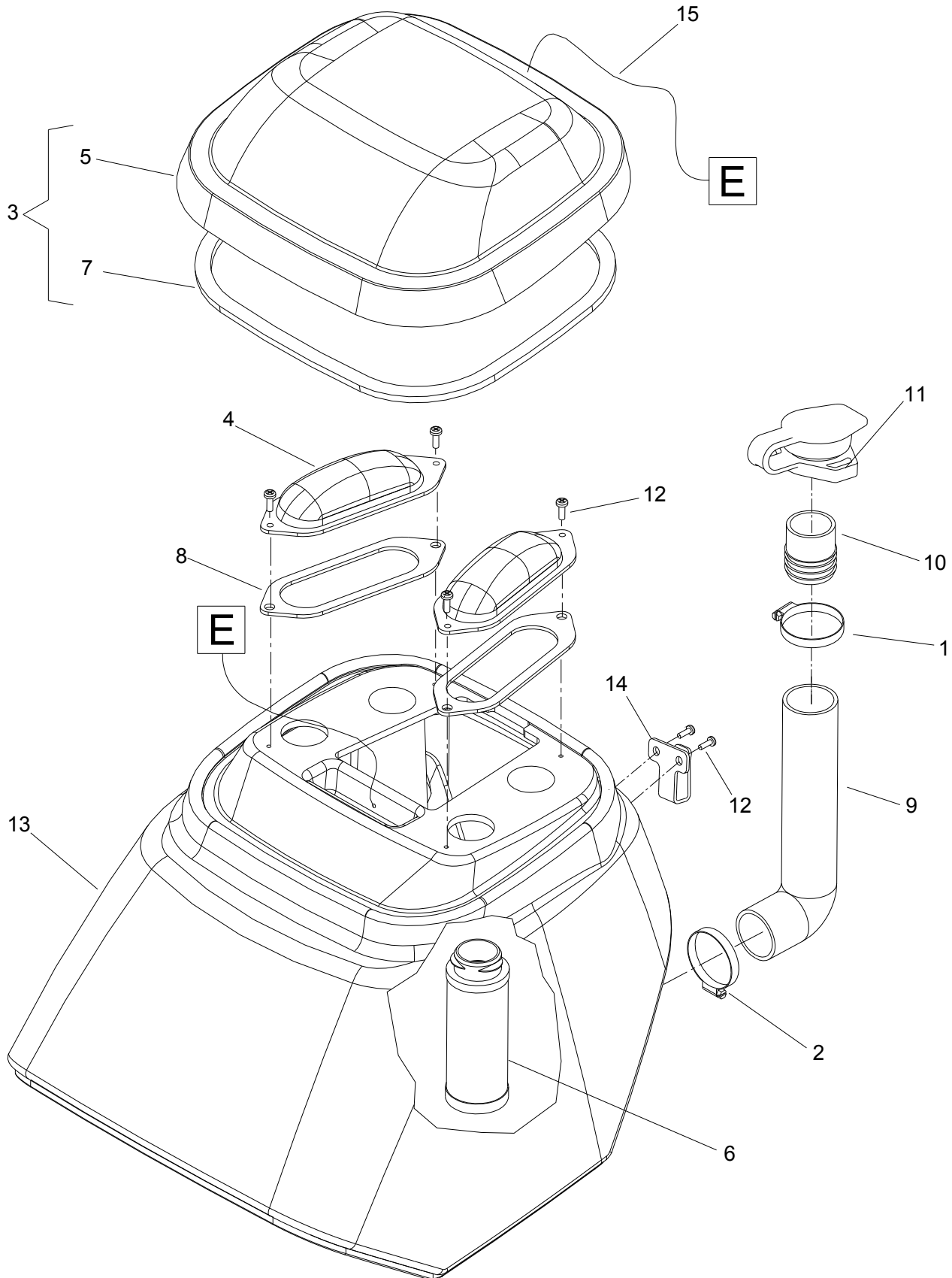
( SEE SOLUTION TANK )

REF	PART NO.	QTY	DESCRIPTION	SERIAL NO. FROM	NOTES
1	86001240	1	TERMINAL BLOCK, 115V (3-4-3)		
2	86001980	1	BREAKER, 15A 250VAC 50VDC		
3	86230210	1	BREAKER, 6A VDE CIRCUIT		
4	86002010	2	BOOT, 3/8 CIRCUIT BREAKER		
5	86234320	1	CORD ASM, 14/3 X 22" YLW		
6	86005670	2	NUT, 1/2 NPT CONDUIT		
7	86005760	2	NUT, 6-32 W/STAR WASHER PLTD		
8	86395200	1	PANEL, CONTROL		
9	86006950	9	SCR, 10-32 X 1/2 PPHMS BLK NP		
10	86006710	2	SCR, 6-32 X 1.0 PH BLK NYLON		
11	86007120	1	SWITCH, DPDT 3-POSITION ROCKER		
12	86007140	2	SWITCH, SPST 2-POSITION ROCKER		
13	86256180	1	STRAIN RELIEF, 1/2 NPT (.48ID)		
14	86010800	9	WASHER, 10 FLT STL BLK ZNPLT		
15	86004480	1	HARNESS, MAIN		
16	86429690	1	LABEL, TRIDENT CONTROL PANEL P/L EX7		
17	86010750	2	WASHER, 3/8 ID INT.LOCK THIN		
18	86005700	3	NUT, 10-32 W/STAR WASHER PLTD		
19	86006830	1	SCR, 10-32 X 1.0 PPHMS		
20	86234110	1	CORD SET,14/3 SJTW-A X 50' YLW		
21	86396850	1	LABEL, CIRCUIT BREAKER BRUSH		
22	86396860	1	LABEL, CIRCUIT BREAKER VAC		
23	86245040	1	LABEL, GROUND SYMBOL		



REF	PART NO.	QTY	DESCRIPTION	SERIAL NO. FROM	NOTES
1	86233140	3	CLAMP, 2.0" WORM GEAR		
2	86233150	1	CLAMP, 3/8 HOSE (D-SLOT)		
3	86003080	1	COVER, VAC MOTOR		
4	86003090	1	COVER, BELT		
5	86235500	1	ELBOW, 3/8 MPT X 3/8 TUBE, PLASTIC		
6	86003790	2	GASKET, TANK TO VAC COVER		
7	86003920	2	GASKET, VAC COVER		
8	86281880	1	HOSE, 1/2 CLEAR X 12		
9	86240009	1	HOSE, 1.5 BLK VAC X 3.0		
10	86004340	1	HOSE ASM, 1.5 BLK VAC X 15.5		
11	86001590	1	HOSEBARB, 3/8MPT X 1/2 NYLON		
12	86240980	1	HOUSING, VAC MOTOR		
13	86026880	1	VAC MOTOR ASM		
13A	86135320	1	BRUSH SET, 120V VAC		SERVICE ONLY
14	86006600	2	SCR, #10 X 3/4 PPHST TYPE B		
15	86006590	2	SCR, 10-32 X 1/2 PPHMS SS		
16	86060840	1	TANK, SOLUTION (MOLDED)		
17	86259060	1	VENT, COOLING AIR SMALL		
18	86010650	10	WASHER, #10 X 9/16 OD		
19	86007970	1	STRAINER, 3/8 IN. NPT 60 MESH		
20	86010630	3	WASHER, 1/4 ID X 5/8 OD SS		
21	86006580	3	SCR, 1/4-20 X 1/2 PPHMS SS DL		
22	86002370	2	CLAMP, 7/16 DIA NYLON UL		
23	86233260	1	CLAMP, 3.5" WORM GEAR		
24	86272840	1	RING, 2" DIA SPLIT		
25	86256170	1	STRAIN RELIEF, CORD HOOK		
26	86003950	1	GASKET, TANK, L-F		
27	86003960	1	GASKET, TANK, L-R		
28	86003970	1	GASKET, TANK, RH		
29	86275690	6	SCR, #10 X 1.0 PPHST TYPE B		
30	86003940	1	GASKET, PANEL		
31	86177090	1	CLAMP, CABLE 1/2 ID 1/4BLT		
32	86429650	2	LABEL, TRIDENT EX7 SIDE		
33	86429620	1	LABEL, HILLYARD LOGO DOMED		
-	86026660	1	TANK ASM, SOLUTION EX7		INCLUDES 5, 7, 11, 16, 19, 26, 27, 28, 30

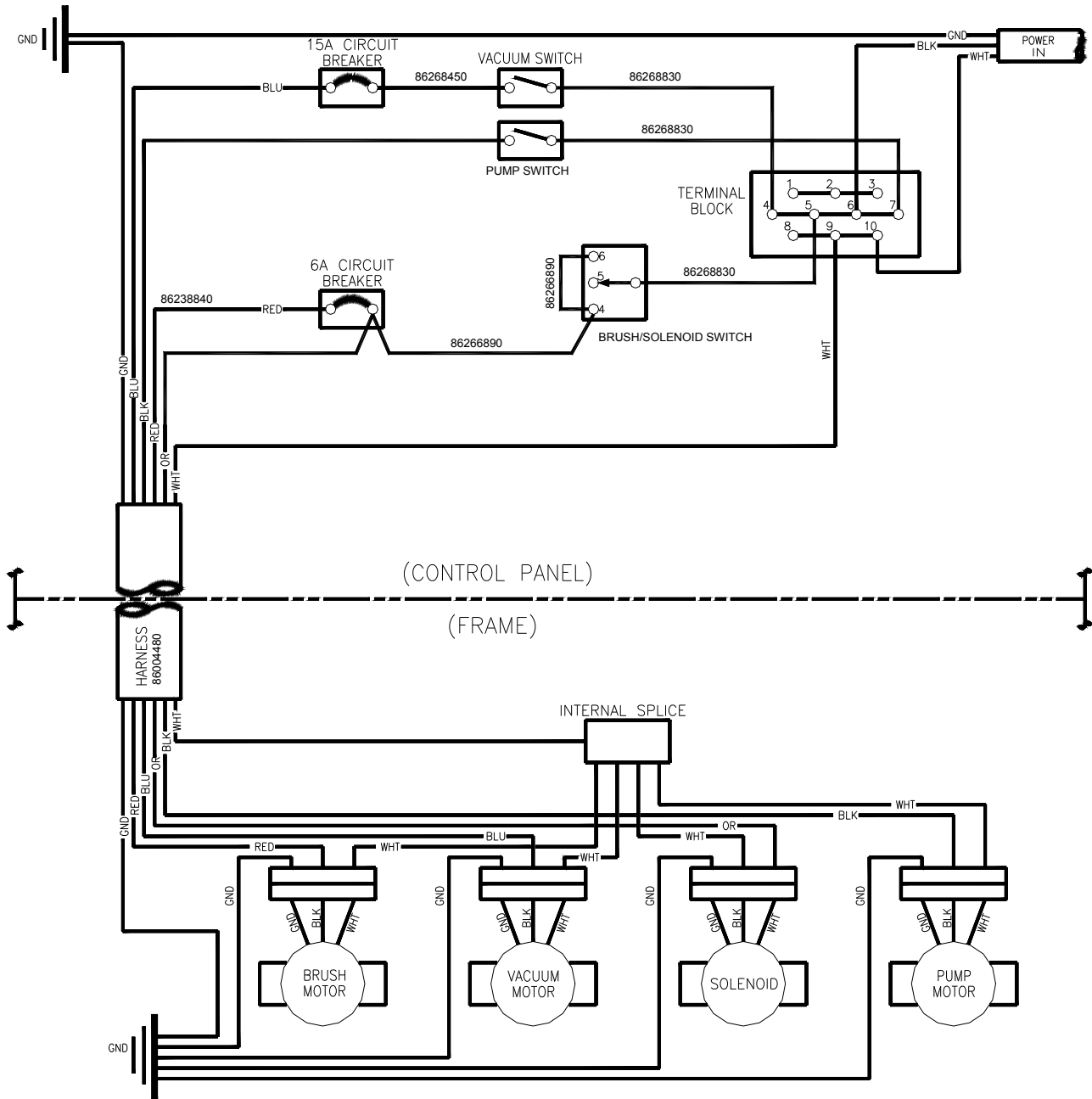
# Recovery Tank





REF	PART NO.	QTY	DESCRIPTION	SERIAL NO. FROM	NOTES
1	86002400	1	CLAMP, 2.0" WORM GEAR X .312		
2	86233140	1	CLAMP, 2.0" WORM GEAR		
3	86003330	1	DOME ASM		
4	86003110	2	COVER, REC. TANK		
5	86235280	1	DOME		
6	86003630	1	FLOAT SHUT-OFF		
7	86003910	1	GASKET, DOME		
8	86003930	2	GASKET, PORT COVER		
9	86004200	1	HOSE, 1.5 X 12.0 DRAIN		
10	86004510	1	HOSE, INSERT		
11	86401400	1	HOSE, CAP, YLW		
12	86006600	6	SCR, #10 X 3/4 PPHST TYPE B		
13	86429800	1	TANK, TRIDENT EX7 RECOVERY		
14	86001370	1	BRKT, HOSE HOOK		
15	86002870	1	CORD, 99807 1/8 X 12"		

# Wiring Diagram



REF. NO.	MODEL: SERIAL #
1	N/A