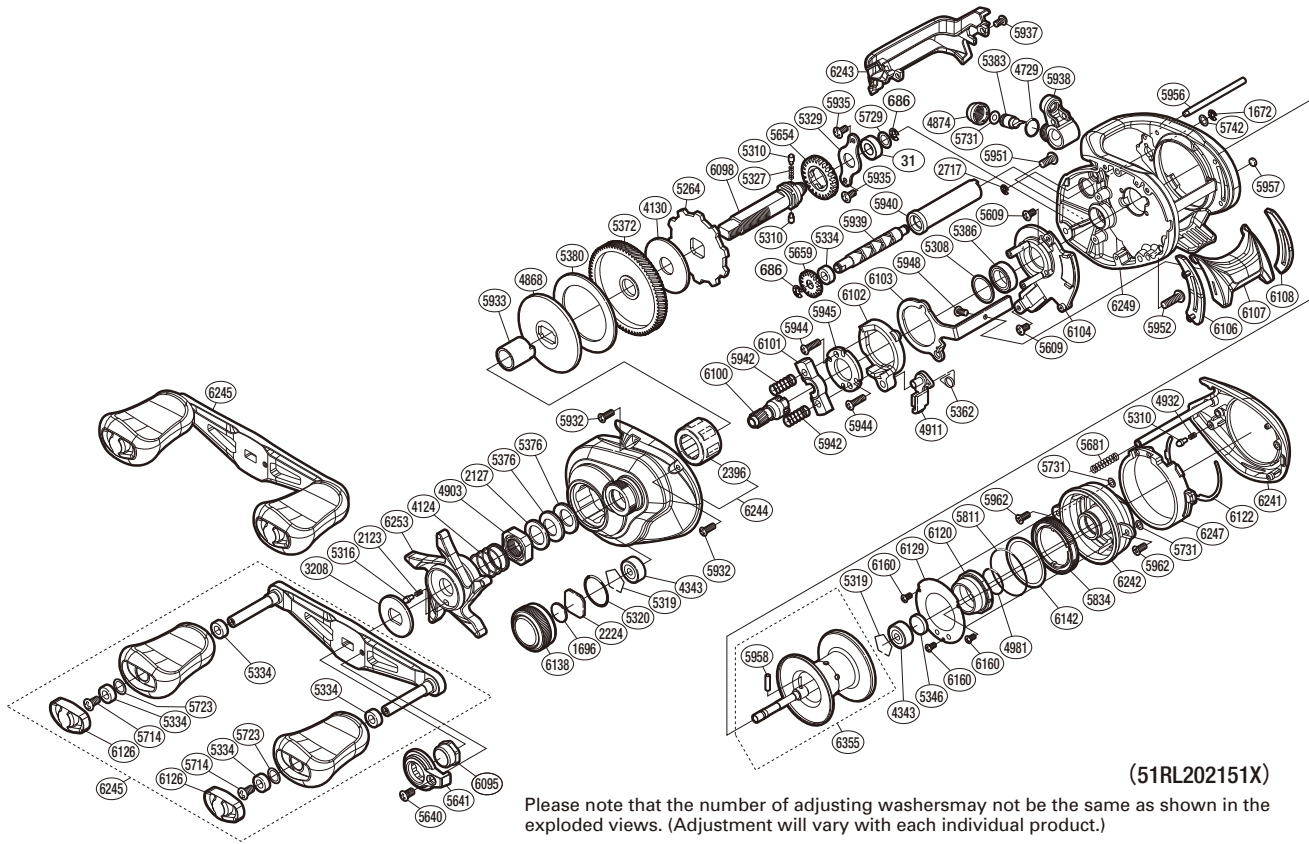


SHIMANO

SLX SA-RB

SLXXT151XG



(51RL202151X)

Please note that the number of adjusting washers may not be the same as shown in the exploded views. (Adjustment will vary with each individual product.)

The (5958) Spool clutch pin, and (2396) Roller clutch cannot be replaced by the customer. To replace these parts, please request after-sales service.

Part No.	Description	Part No.	Description	Part No.	Description
BNT0031	Drive Shaft Bearing	BNT5376	Drag Spring Washer	BNT5958	Spool Clutch Pin
BNT0686	E Lock	BNT5380	Drag Washer C	BNT5962	Screw
BNT1672	E Lock	BNT5383	Line Guide Pawl	BNT6095	Handle Nut
BNT1696	Cast Control Spacer B	BNT5386	Ball Bearing	BNT6098	Drive Shaft
BNT2123	Click Spring	BNT5609	Screw	BNT6100	Pinion Gear
BNT2127	Star Drag Spacer	BNT5640	Screw	BNT6101	Yoke
BNT2224	Cast Control Spacer A	BNT5641	Handle Nut Plate	BNT6102	Clutch Cam
BNT2396	Roller Clutch Bearing	BNT5654	Idle Gear A	BNT6103	Clutch Plate
BNT2717	E Lock	BNT5659	Idle Gear C	BNT6104	Clutch Guard Assembly
BNT3208	Star Drag Click Plate	BNT5681	Spring	BNT6106	Clutch Bar Guide B
BNT4124	Star Drag Spring	BNT5714	Screw	BNT6107	Clutch Button
BNT4130	Drag Washer A	BNT5723	Washer	BNT6108	Clutch Bar Guide A
BNT4343	Ball Bearing	BNT5729	Washer	BNT6120	Brake Pipe Gear Assembly
BNT4729	O Ring	BNT5731	Washer	BNT6122	Washer
BNT4868	Key Washer	BNT5742	Washer	BNT6126	Handle Knob Seal
BNT4874	Pawl Cap	BNT5811	O Ring	BNT6129	Br Dial Retainer Plate
BNT4903	Star Drag Nut	BNT5834	Brake Dial	BNT6138	Cast Control Cap
BNT4911	Clutch Pawl Assembly	BNT5932	Screw	BNT6142	Washer
BNT4932	Click Spring	BNT5933	Roller Clutch Inner Tube	BNT6160	Screw
BNT4981	O Ring	BNT5935	Screw	BNT6241	Right Side Plate Assembly
BNT5264	Anti-Reverse Ratchet	BNT5937	Screw	BNT6242	Dial Case
BNT5308	Bearing Seal Washer	BNT5938	Line Guide Pawl	BNT6243	Level Wind Protector
BNT5310	Idle Gear Pin	BNT5939	Worm Shaft	BNT6244	Left Side Plate Assembly
BNT5316	Click Pin	BNT5940	Level Wind Guard	BNT6245	Handle Assembly
BNT5319	Bearing Retainer	BNT5942	Yoke Spring	BNT6247	B Side Plate Cam Lever
BNT5320	O Ring	BNT5944	Screw	BNT6249	Frame
BNT5327	Idle Gear Spring	BNT5945	Clutch Cam Retainer	BNT6253	Star Drag
BNT5329	Drive Shaft Retainer	BNT5948	Screw	BNT6355	Spool Assembly
BNT5334	Bushing	BNT5951	Screw		
BNT5346	Bearing Spacer	BNT5952	Screw		
BNT5362	Clutch Pawl Spring	BNT5956	Stabilizer Bar		
BNT5372	Drive Gear	BNT5957	Washer	BNT4692	B-100 Oil (Accessory)