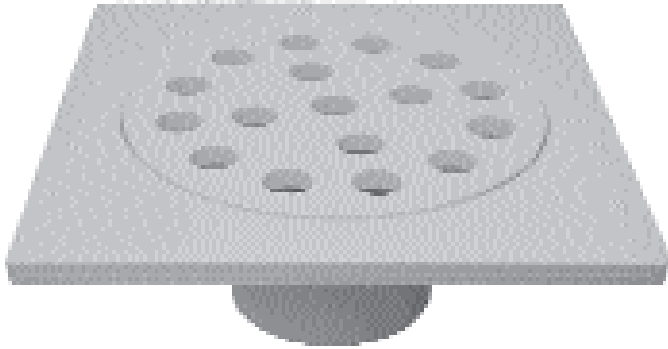


SPECIFICATION SUBMITTAL SHEET

j o n e s s t e p h e n s c o r p o r a t i o n

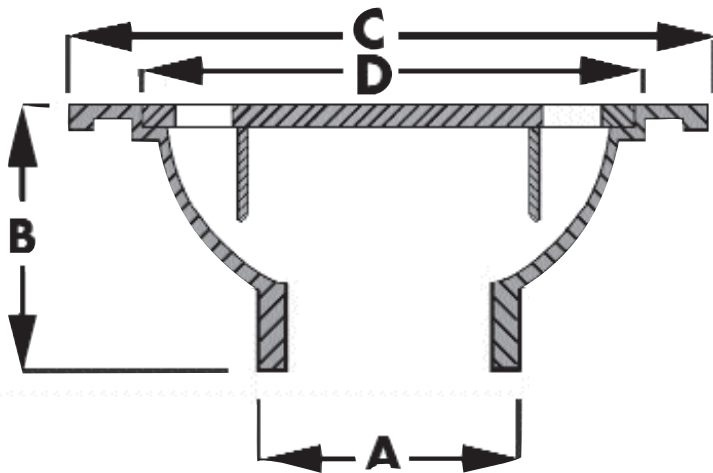
UTILITY DRAINS



features and benefits:

- Snap-in lid
- 2" coupling converts
6" x 6" to 2" pipe

This product and others like it can be found in the Jones Stephens catalog. Call today to order your catalog or download it from our website: www.plumbest.com



PART NO.	SIZE	A	B	C	D
PVC					
□ D40-020	6" x 6"	1 1/2" x 2"	2 3/8"	6"	4 9/16"
□ D40-021	9" x 9"	3" x 4"	3 7/16"	9"	-
□ D40-023	9" x 9"	4"	4 9/16"	9"	7 11/16"
□ D42-019	9" x 9"	4"	4 9/16"	9"	7 11/16"
ABS					
□ D42-029	9" x 9"	4"	4 9/16"	9"	7 11/16"

jones stephens corporation
 3249 moody parkway • moody, alabama 35004
 toll free phone: 1-800-355-6637 • toll free fax: 1-800-462-6991
www.plumbest.com