

TP-MED5M28C

5MP HD TruColor Fixed Eyeball Network Camera



Key Features

- ✓ 1/2.7" progressive scan CMOS
- ✓ TruColor
- ✓ Max. 5MP(2880×1620) @30/25fps resolution
- ✓ Turing cloud-ready with Smart NVR series and Turing bridge/servers
- ✓ Support 256 G microSD card
- ✓ IP67, WDR, PoE



SPECIFICATIONS

CAMERA	
IMAGE SENSOR	1/2.7", 5.0 megapixel, progressive scan, CMOS
LENS	2.8mm@F1.0
ANGLE OF VIEW (H)	102.0 °
ADJUSTMENT ANGLE	Pan:3° ~ 360°, Tilt:0° ~ 80°, Rotate:3° ~ 360°
ELECTRONIC SHUTTER	Auto/Manual, 1 ~ 1/100000s
MINIMUM ILLUMINATION	Color: 0.001Lux (F1.6, AGC ON)
S/N RATIO	>56dB
WIDE DYNAMIC RANGE	120 dB
VIDEO & AUDIO	
VIDEO COMPRESSION	Ultra 265, H.265, H.264, MJPEG
RESOLUTION & FRAME RATE	Main Stream: 5MP (2880*1620), Max 30fps; 4MP (2560*1440), Max 30fps; 3MP (2304*1296), Max 30fps; 2MP (1920*1080), Max 30fps;
	Sub Stream: 720P (1280*720), Max 30fps; D1 (720*576), Max 30fps; 640*360, Max 30fps; 2CIF (704*288), Max 30fps; CIF (352*288), Max 30fps;
	Third Stream: D1 (720*576), Max 30fps; 640*360, Max 30fps; 2CIF (704*288), Max 30fps; CIF (352*288), Max 30fps;
IMAGE ROTATION	Supported
WHITE BALANCE	Auto/Outdoor/Fine Tune/Sodium Lamp/Locked/Auto2
NOISE REDUCTION	2D/3D DNR
AUDIO COMPRESSION	G.711
AUDIO SAMPLING RATE	8KHZ
VIDEO INTELLIGENCE	Line crossing detection, Intrusion detection, enter area detection, exit area detection, and face capture

INTERFACES	
LOCAL STORAGE	microSD, up to 256GB
AUDIO	Built-in Mic
NETWORK INTERFACE	1 RJ45 10M/100M Base-TX Ethernet
NETWORK PROTOCOLS	IPv4, IGMP, ICMP, ARP, TCP, UDP, DHCP, PPPoE, RTP, RTSP, RTCP, DNS, DDNS, NTP, FTP, UPnP, HTTP, HTTPS, SMTP, 802.1x, SNMP, QoS
3RD-PARTY COMPATIBILITY	ONVIF (Profile S, Profile G, Profile T), API
SUPPORTED BROWSER	Plug-in required live view: IE9+, Chrome 41 and below, Firefox 52 and below.
	Plug-in free live view: Chrome 57.0+, Firefox 58.0+, Edge 16+, Safari 11+

CERTIFICATIONS	
CERTIFICATIONS	CE: EN 60950-1 UL: UL60950-1 FCC: FCC Part 15

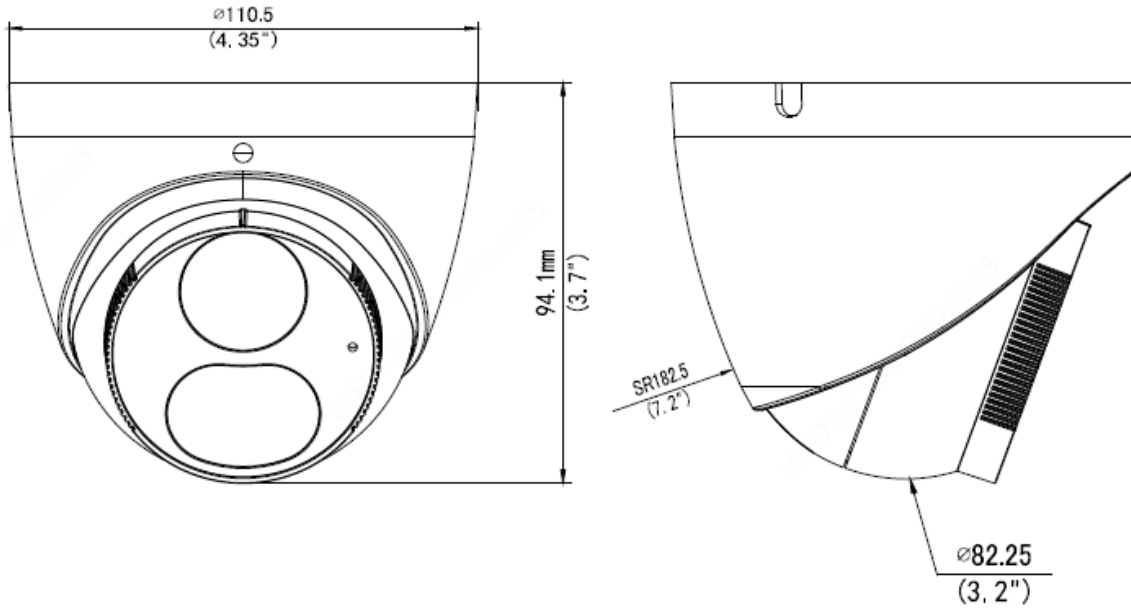
GENERAL	
POWER REQUIREMENT	DC 12V±25%, PoE (IEEE 802.3af)
POWER CONSUMPTION	Max 7.5W
DIMENSIONS	Φ110.5 x 94.1mm (Φ4.4" x 3.7")
NET WEIGHT	0.44kg (0.97lb)
MATERIAL	Metal
WORKING ENVIRONMENT	-30°C ~ 60°C (-22°F ~ 140°F), Humidity: ≤95% RH (non-condensing)
WATER PROTECTION	IP67

COMPATIBLE NVRS

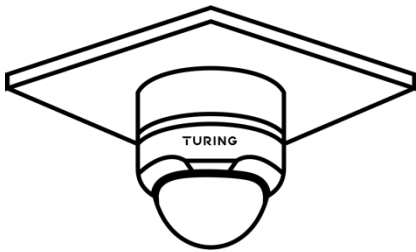
Turing Smart NVR series, including TR-MRP042T, TR-MRP082T, TR-MRP164T, and TR-MRP328T



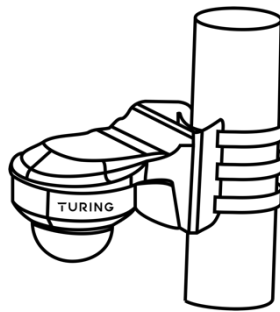
DIMENSIONS (mm)



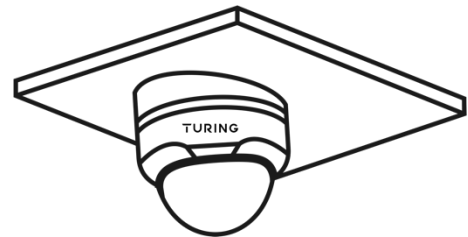
MOUNTINGS



Junction Box: TP-EFDJB



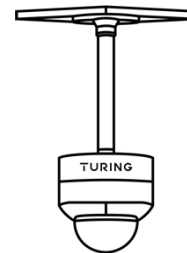
Pole Mount: TP-UDPM
Wall Mount: TP-EFDWM



Tilted Mount: TP-EFDTM



Wall Mount: TP-EFDWM



Pole Mount: TP-AIPMB
Junction Box: TP-EFDJB

