

## FEATURES & SPECIFICATIONS

**INTENDED USE** — Typical applications include corridors, lobbies, conference rooms and private offices.  
**CONSTRUCTION** — Retrofit, remodel, and new construction mounting types. See table for compatible ceiling openings and thickness range.

Optional goof rings available for additional overlap trim coverage.

1/2"-1-1/2" ceiling thickness

25° ambient temperature

IC rated up to 1000lm

**OPTICS** — LEDs are binned to a 3-step Mac Adam Ellipse. 55° cutoff

New construction frame accessories approved for 8 (4 in/4 out) No. 12 AWG conductors rated for 90°C through wiring.

80CRI standard (90CRI optional)

**UGR** — UGR is zero for fixtures aimed at nadir with a cut-off equal to or less than 60deg, per CIE 117-1996 Discomfort Glare in Interior Lighting. [UGR FAQ](#)

**ELECTRICAL** — Adjustable lumen output with four module options. Fixed lumen options also available. MVOLT 120/277V 50/60Hz driver (0-10V & 120V Phase Dimming to 10% or 1% min dimming level)

FCC CFR Title 47 Part 15 Class A for 277V. FCC CFR Title 47 Part 15 Class B for 120V.

**LUMEN MAINTENANCE** — L80 at 60,000 hours

**LISTINGS** — Certified to US and Canadian safety standards. Title 24 compliant (90CRI, up to 1000lm) Damp location standard (Wet Location (WL) optional, requires covered ceiling). Some configurations are ENERGY STAR® certified, please visit [www.energystar.gov](http://www.energystar.gov) for specific products. TAA compliant. UFC (3-530-01) specification compliant for power factor and THD. GSA P100 6.2.4 compliant for power quality at full output; compliant up to 2000lm at fully dimmed output. Drivers are ROHS compliant

**WARRANTY** — 5-year limited warranty. This is the only warranty provided and no other statements in this specification sheet create any warranty of any kind. All other express and implied warranties are disclaimed. Complete warranty terms located at: [www.acuitybrands.com/support/warranty/terms-and-conditions](http://www.acuitybrands.com/support/warranty/terms-and-conditions)

**Note:** Actual performance may differ as a result of end-user environment and application.

All values are design or typical values, measured under laboratory conditions at 25 °C.

Specifications subject to change without notice.

### Performance Data

| LBR8 AR LSS MWD |         | 80CRI            |     |                  |     |                  |     |                  |     |
|-----------------|---------|------------------|-----|------------------|-----|------------------|-----|------------------|-----|
| Lumen Output    | Wattage | 30K/80CRI        |     | 35K/80CRI        |     | 40K/80CRI        |     | 50K/80CRI        |     |
|                 |         | Delivered Lumens | LPW | Delivered Lumens | LPW | Delivered Lumens | LPW | Delivered Lumens | LPW |
| AL01 (500LM)    | 6       | 551              | 96  | 564              | 97  | 577              | 99  | 595              | 101 |
| AL01 (750LM)    | 9       | 872              | 98  | 893              | 100 | 914              | 102 | 942              | 104 |
| AL01 (1000LM)   | 13      | 1225             | 95  | 1253             | 96  | 1283             | 98  | 1323             | 101 |
| AL02 (1000LM)   | 13      | 1298             | 105 | 1328             | 106 | 1360             | 108 | 1402             | 111 |
| AL02 (1500LM)   | 19      | 1895             | 101 | 1939             | 103 | 1985             | 105 | 2047             | 107 |
| AL02 (2000LM)   | 25      | 2387             | 96  | 2442             | 98  | 2500             | 99  | 2578             | 102 |
| AL03 (2000LM)   | 25      | 2456             | 99  | 2513             | 101 | 2572             | 103 | 2652             | 105 |
| AL03 (2500LM)   | 32      | 2965             | 94  | 3034             | 96  | 3106             | 98  | 3202             | 100 |
| AL03 (3000LM)   | 38      | 3367             | 90  | 3445             | 91  | 3527             | 93  | 3636             | 95  |
| AL04 (4000LM)   | 39      | 4008             | 104 | 4090             | 106 | 4172             | 108 | 4213             | 109 |
| AL04 (4500LM)   | 44      | 4424             | 101 | 4514             | 103 | 4604             | 105 | 4649             | 106 |
| AL04 (5000LM)   | 49      | 4811             | 98  | 4909             | 100 | 5007             | 102 | 5056             | 103 |

| LBR8 MS MWD   |         | 80CRI            |     |                  |     |                  |     |                  |     |
|---------------|---------|------------------|-----|------------------|-----|------------------|-----|------------------|-----|
| Lumen Output  | Wattage | 30K/80CRI        |     | 35K/80CRI        |     | 40K/80CRI        |     | 50K/80CRI        |     |
|               |         | Delivered Lumens | LPW | Delivered Lumens | LPW | Delivered Lumens | LPW | Delivered Lumens | LPW |
| AL01 (500LM)  | 6       | 463              | 80  | 474              | 82  | 485              | 84  | 500              | 86  |
| AL01 (750LM)  | 9       | 733              | 82  | 750              | 84  | 767              | 86  | 791              | 88  |
| AL01 (1000LM) | 13      | 1029             | 79  | 1053             | 81  | 1078             | 83  | 1111             | 86  |
| AL02 (1000LM) | 13      | 1091             | 87  | 1116             | 89  | 1142             | 91  | 1178             | 94  |
| AL02 (1500LM) | 19      | 1592             | 84  | 1629             | 86  | 1667             | 88  | 1719             | 91  |
| AL02 (2000LM) | 25      | 2005             | 80  | 2052             | 82  | 2100             | 84  | 2165             | 87  |
| AL03 (2000LM) | 25      | 2063             | 83  | 2111             | 85  | 2161             | 87  | 2228             | 89  |
| AL03 (2500LM) | 32      | 2490             | 79  | 2548             | 81  | 2609             | 83  | 2690             | 85  |
| AL03 (3000LM) | 38      | 2828             | 75  | 2894             | 77  | 2963             | 78  | 3055             | 81  |
| AL04 (4000LM) | 39      | 3367             | 86  | 3436             | 88  | 3504             | 90  | 3539             | 91  |
| AL04 (4500LM) | 44      | 3716             | 84  | 3792             | 86  | 3867             | 88  | 3905             | 89  |
| AL04 (5000LM) | 49      | 4041             | 82  | 4124             | 84  | 4206             | 86  | 4247             | 87  |

- Tested in accordance with IESNA LM-79-08. u8226
- Tested to current IES and NEMA standards under stabilized laboratory conditions.
- CRI: 80 typical

|                |
|----------------|
| Catalog Number |
| Notes          |
| Type           |

# LBR8



8" Open and Wallwash LED Retrofit/Remodel Downlight

Retrofit | Remodel



## Module ordering

### ORDERING INFORMATION

Lead times will vary depending on options selected. Consult with your sales representative.

**Example:** LBR8 ALO2 SWW1 AR LSS MVD MVOLT UGZ 90CRI

| Series                        | Lumens ‡                       | Color temperature ‡          | Reflector Color             | Reflector Flange ‡               | Reflector Finish  |
|-------------------------------|--------------------------------|------------------------------|-----------------------------|----------------------------------|-------------------|
| LBR8 8" Retrofit              | <b>Adjustable Lumen Output</b> | <b>Switchable CCT</b>        | AR Clear                    | (blank) Self-flanged             | LSS Semi-specular |
| LBR8WW ‡ 8" Retrofit Wallwash | ALO1 500/750/1000lm            | SWW1 3000K-3500K-4000K-5000K | BR ‡ Black painted          | TRW White painted flange         |                   |
|                               | ALO2 1000/1500/2000lm          | <b>Fixed CCT</b>             | MS ‡ Metallic Silver        | TRBL Black painted flange        |                   |
|                               | ALO3 2000/2500/3000lm          | 27K 2700K                    | WR ‡ White painted          | FCPC Custom painted flange only  |                   |
|                               | ALO4 4000/4500/5000lm          | 30K 3000K                    | TCPC ‡ Custom painted trim  | FRALTBDD RAL painted flange only |                   |
|                               |                                | 35K 3500K                    | TRALTBDD ‡ RAL painted trim |                                  |                   |
|                               |                                | 40K 4000K                    |                             |                                  |                   |
|                               |                                | 50K 5000K                    |                             |                                  |                   |

| Distribution               | Voltage   | Driver  | Emergency ‡  | Control Input ‡   |
|----------------------------|-----------|---|--|---|
| MWD Medium wide (1.0 s/mh) | MVOLT 120 | UGZ Universal dimming to 10% 0-10V; line voltage dimming (120V) | (blank) No Emergency Needed  | (blank) No Control Input Needed   |
| WD Wide (1.2s/mh)          | 277       | UGZ1 Universal dimming to 1% 0-10V; line voltage dimming (120V) | ELR Battery pack (10W constant power) Non-T20 Compliant remote test switch             | JOT Wireless room control with "Just One Touch" pairing   |
| WW ‡ Wallwash              | 347       | DALI ‡ DALI dimming to 1%                                       | ETS Iota Emergency Transfer System   | NPS80EZ nLight® network power/relay pack with 0-10V dimming   |
|                            |           | D10 Minimum dimming 10% driver for use with JOT                 | E10WCP Battery pack (10W constant power) Non-T20 Compliant integral test switch        | NPS80EZER nLight® network power/relay pack with 0-10V dimming; ER controls fixtures on emergency circuit.       |
|                            |           | D1 Minimum dimming 1% driver for use with JOT                   | E10WCPR Battery pack (10W constant power) T20 Compliant remote test switch             | NLTAIR2 nLight® Air enabled   |
|                            |           |   | E10WRSTAR Emergency battery pack, 10W with remote test switch and Iota STAR technology | NLTAIRER2 nLight® AIR Dimming Pack Wireless Controls. Controls fixtures on emergency circuit                    |
|                            |           |   |  | NLTAIREM2 nLight® AIR Dimming Pack Wireless Controls. UL924 Emergency Operation, via power interrupt detection. |

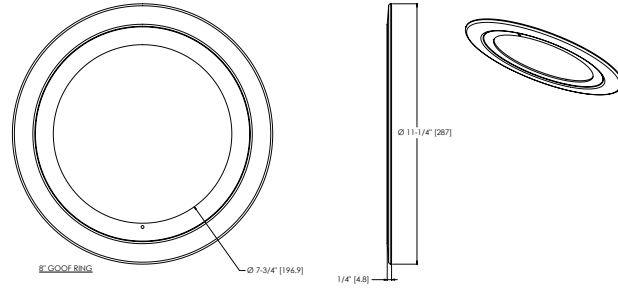
| Options                      |
|------------------------------|
| 90CRI High CRI (90+)         |
| AT ‡ Airtight                |
| EC1 ‡ Extended Conduit (18") |
| EC6 ‡ Extended Conduit (6ft) |
| WL ‡ Wet Location (IP55)     |
| QDS ‡ Quick disconnect plugs |
| CP ‡ Chicago Plenum          |

**NOTE:** ‡ indicates option value has ordering restrictions. Please reference the Option Value Ordering Restrictions chart below.

| ‡ Option Value Ordering Restrictions |  |
|--------------------------------------|--|
| Options                              | Restriction  |
| Adjustable Lumens/CCT                | Adjustable Lumen Output and Switchable CCT must be specified together (for example: ALO1 SWW1).  |
| Fixed Lumens/CCT                     | Fixed Lumen Output and Fixed CCT must be specified together (for example: 10LM 30K).   |
| AT                                   | Standard for CP and IP55, not available with WW.   |
| E10WCPR                              | Not available EC1, EC6, QDS, CP, 347V, NPS80EZ ER, NLTAIRER2, NLTAIREM2, ALO3 & ALO4 w/DALI, OR 2000-4500 lumens w/JOT.  |
| E10WCP                               | Not available with EC1, EC6, AT, QDS, CP, 347V, NPS80EZ ER, NLTAIRER2, NLTAIREM2, WL, ALO3 & ALO4 w/DALI, OR 2000-4500 lumens w/JOT.   |
| E10WRSTAR                            | Not available with wet location, EC1, EC6, QDS, CP, 347V, NPS80EZ ER, NLTAIRER2, NLTAIREM2, ALO3 & ALO4 w/DALI, OR 2000-4500 lumens w/JOT. Top access installation or 17.5" plenum clearance required for roomside installation. Not available with integral test switch |
| ELR                                  | Not available EC1, EC6, QDS, CP, 347V, NPS80EZ ER, NLTAIRER2, NLTAIREM2, ALO3 & ALO4 w/DALI, OR 2000-4500 lumens w/JOT.  |
| EC1, EC6                             | Not Available with CP, QDS, ELR, E10WCP, or E10WCPR.   |
| WL                                   | Not available with WW, All CP is wet location, except WW (Damp). IP55 rated.   |
| QDS                                  | Must be specified for use with LBR_PFWQDS. Not available with 347V, CP, ELR, E10WCP, E10WCPR.  |
| JOT                                  | Not available with CP, nLight options, UGZ, or DALI drivers. Max 4500 lumens. Fixed lumens and CCT only. Not available with 2000-4500lm in conjunction with battery pack.  |
| NPS80EZ                              | Not available with CP, QDS, DALI, D1, OR D10 drivers. 120V OR 277V only. Not available with 347V.  |
| NPS80EZER                            | Not available with CP, QDS, ELR, E10WCP, E10WCPR, DALI, D1, OR D10 drivers. 120V OR 277V only. Not available with 347V.  |
| NLTAIR2                              | Not available with CP, QDS, DALI, D1, OR D10 drivers. See UL 924 Sequence of Operation table. Non-emergency luminaires with this option can be used as a normal power sensing device for nLight AIR devices and luminaires with EM emergency options.                    |
| NLTAIRER2                            | Not available with CP, QDS, ELR, E10WCP, E10WCPR, DALI, D1, OR D10 drivers. Not available with 347V.   |
| NLTAIREM2                            | Not available with CP, QDS, ELR, E10WCP, E10WCPR, DALI, D1, OR D10 drivers. See UL 924 Sequence of Operation table.  |
| CP                                   | Must be specified for use with LBR_PFWCP. Not available with, QDS, EC1, EC6, ELR, E10WCP, E10WCPR, 347V, JOT, NPS80EZ, NPS80EZ ER, NLTAIR2, NLTAIRER2, NLTAIREM2, D1, OR D10 drivers.  |
| ETS                                  | Not available with, QDS, ELR, E10WCP, E10WCPR, 347V, JOT, NPS80EZ, NPS80EZ ER, NLTAIR2, NLTAIRER2, NLTAIREM2, DALI, D1, OR D10 driver.   |
| DALI                                 | Not available with fixed lumens or CCT. Max 4500 lumens.   |
| WW                                   | Not available with WL, EL and E10WCP. Must be ordered with LBR8WW series.  |
| TRW, TRBL                            | Available with MS and AR reflectors only.  |
| MS, WR, BR                           | Not available with LSS reflector finish.   |
| TRALTBDD, FRALTBDD                   | RALTBDD for pricing only. Replace with applicable RAL number and finish when ready to order. See the <a href="#">RAL BROCHURE</a> for available color options.   |
| TCPC, FCPC                           | CPC options for pricing only. Custom color chip needs to be sent in to your Customer Resolution specialist before order can be processed. Click <a href="#">HERE</a> for more details  |

# LBR8

| Accessories: Order as separate catalog number. Shipped separately. |  |
|--|--|
| LBRGR910   | Goof ring 9-3/4" to 10-3/4" for LBR8   |
| LBRGR910CP   | Chicago Plenum Goof ring 9-3/4" to 10-3/4" for LBR8  |
| LBR8AR LSS TRIM  | 8" clear, semi-specular reflector  |
| LBR8** TRIM  | 8" reflector (** specify MS, WR, BR)   |
| LBR8AR LSS WW TRIM   | 8" clear, semi-specular wallwash   |
| LBR8** WW TRIM   | 8" wallwash (** specify MS, WR, BR)  |
| LDN8RVRGIN IFB   | Install-from-below rough-in frame  |
| LBR46810HB FPAN U  | Mounting plate 4"-10" unit pack  |
| LBR46810HB FPAN J10  | Mounting plate 4"-10" 10-pack  |
| LBR SDT 347V 75W ASM   | Field installed 347V Step-down transformer   |
| SCA8   | Sloped Ceiling Adapter. Degree of slope must be specified (5D, 10D, 15D, 20D, 25D, 30D). Ex: SCA8 10D. |



Goof rings must specify reflector color  
 Example: LBRGR910 AR  
 WR = white, BR = black, AR = Clear

| Module | Mounting Frame Accessory | Compatible Fixture Options      |
|--------|--------------------------|---------------------------------|
| LBR8   | LBR8PF                   | QDS, EC1, EC6,                  |
|        | LBR8PFW                  | Base fixture only               |
|        | LBR8PFW EM               | ELR, E10WCPR, E10WCP, E10WRSTAR |
|        | LBR8PFWQDS               | QDS fixture only                |
| LBR8WW | LBR8PF                   | QDS, EC1, EC6,                  |
|        | LBR8PFW                  | Base fixture only               |
|        | LBR8PFW EM               | ELR, E10WCPR, E10WRSTAR         |
|        | LBR8PFWQDS               | QDS fixture only                |

## Emergency Battery Pack Options - Field Installable

| Battery Model Number                | Wattage | Runtime (Minutes) | Lumen Output* @ 120 Lumens/Watt | Other  |
|-------------------------------------|---------|-------------------|---------------------------------|--|
| <a href="#">ILB CP07 2H A</a>       | 7W      | 120               | 840                             | Storm Shelter / 2 Hour Runtime               |
| <a href="#">ILB CP10 A</a>          | 10W     | 90                | 1200                            |  |
| <a href="#">ILBLP CP10 HE SD A+</a> | 10W     | 90                | 1200                            | Title 20, Self Diagnostic                    |
| <a href="#">ILBLP CP15 HE SD A+</a> | 15W     | 90                | 1800                            | Title 20, Self Diagnostic                    |
| <a href="#">ILB CP20 HE A</a>       | 20W     | 90                | 2400                            | Title 20                                     |
| <a href="#">ILB CP20 HE SD A</a>    | 20W     | 90                | 2400                            | Title 20, Self Diagnostic                    |
| <a href="#">ILBHI CP10 HE SD A+</a> | 10W     | 90                | 1200                            | 347-480V AC Input, Title 20, Self Diagnostic |
| <a href="#">ILBHI CP15 HE SD A+</a> | 15W     | 90                | 1800                            | 347-480V AC Input, Title 20, Self Diagnostic |

All the above are UL Listed products that are certified for field install external/remote to the fixture.  
 \*Minimum delivered lumen output to assist in product selection for increased fixture mounting height.  
 The CP10 delivered emergency illumination outperforms legacy 1400 lumen fluorescent emergency ballast.  
 Please contact us at [techsupport@iotaengineering.com](mailto:techsupport@iotaengineering.com) for any Emergency Battery related questions.

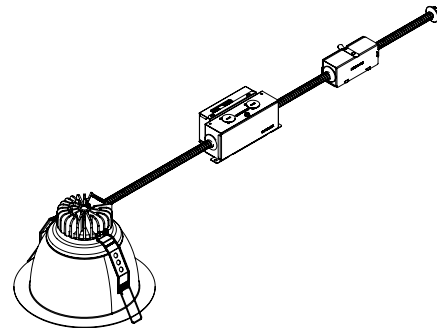
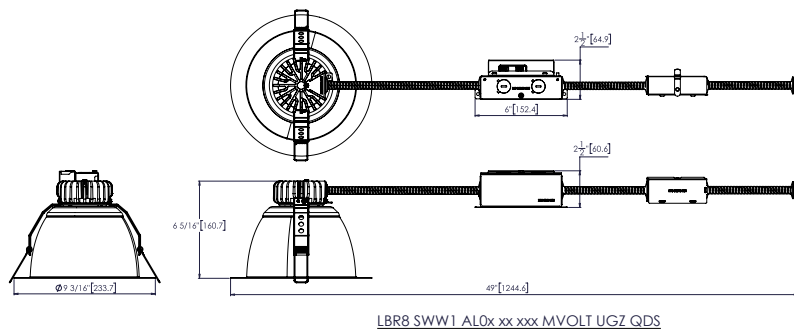
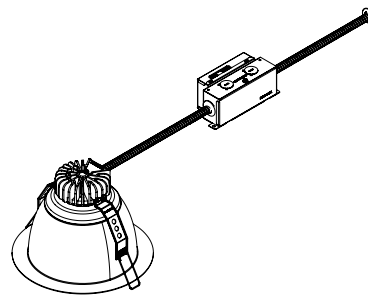
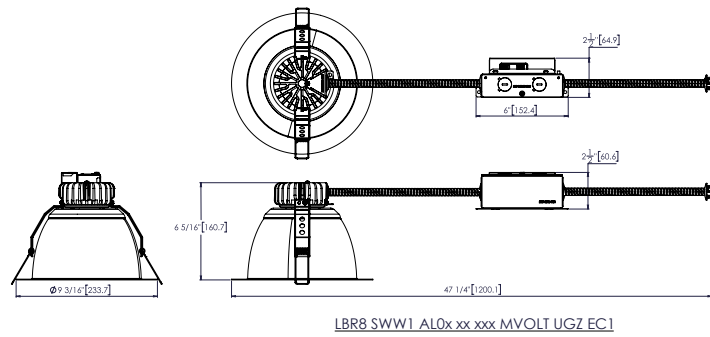
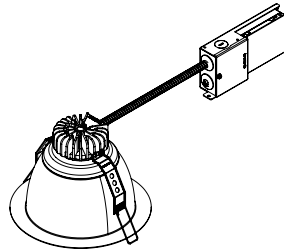
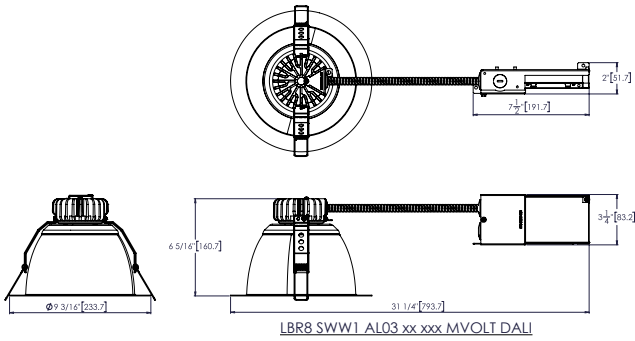
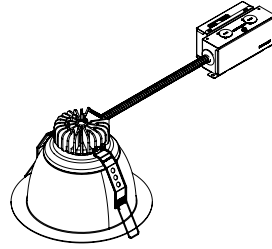
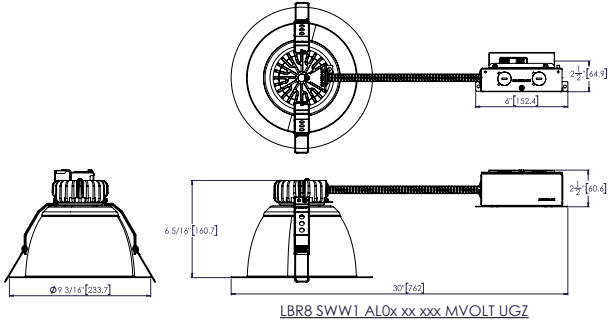
# LBR8

| PLENUM DEPTH TABLE   |               |    |        |                       |
|----------------------|---------------|----|--------|-----------------------|
| Aperture Size/Output | Plenum Depth* | IC | Non-IC | Non-IC Marked Spacing |
| LBR8 500-1000 Lumen  | 5.81          | X  |        |                       |
| LBR8 1000-2000 Lumen | 5.81          |    | X      |                       |
| LBR8 2000-3000 Lumen | -             |    |        | 24x24x9               |
| LBR8 4000-5000 Lumen | -             |    |        | 24x24x9               |

\*Above unfinished 1/2" ceiling plane

| CEILING COVERAGE TABLE |       |          |                |                     |                   |                     |                                    |                      |
|------------------------|-------|----------|----------------|---------------------|-------------------|---------------------|------------------------------------|----------------------|
| Series                 |       | Aperture | Trim Flange OD | Min ceiling opening | Ceiling Thickness | Max ceiling opening | Max Ceiling Opening with Goof Ring | Overall Goof Ring OD |
| LBR8                   | ROUND | 7-1/6"   | 9-3/16"        | 7-3/4"              | 1/2"              | 8-7/8"              | 9-1/4"                             | 11-1/4"              |
| LBR8                   |       |          |                |                     | 1-1/2"            |                     | 9-5/8"                             |                      |

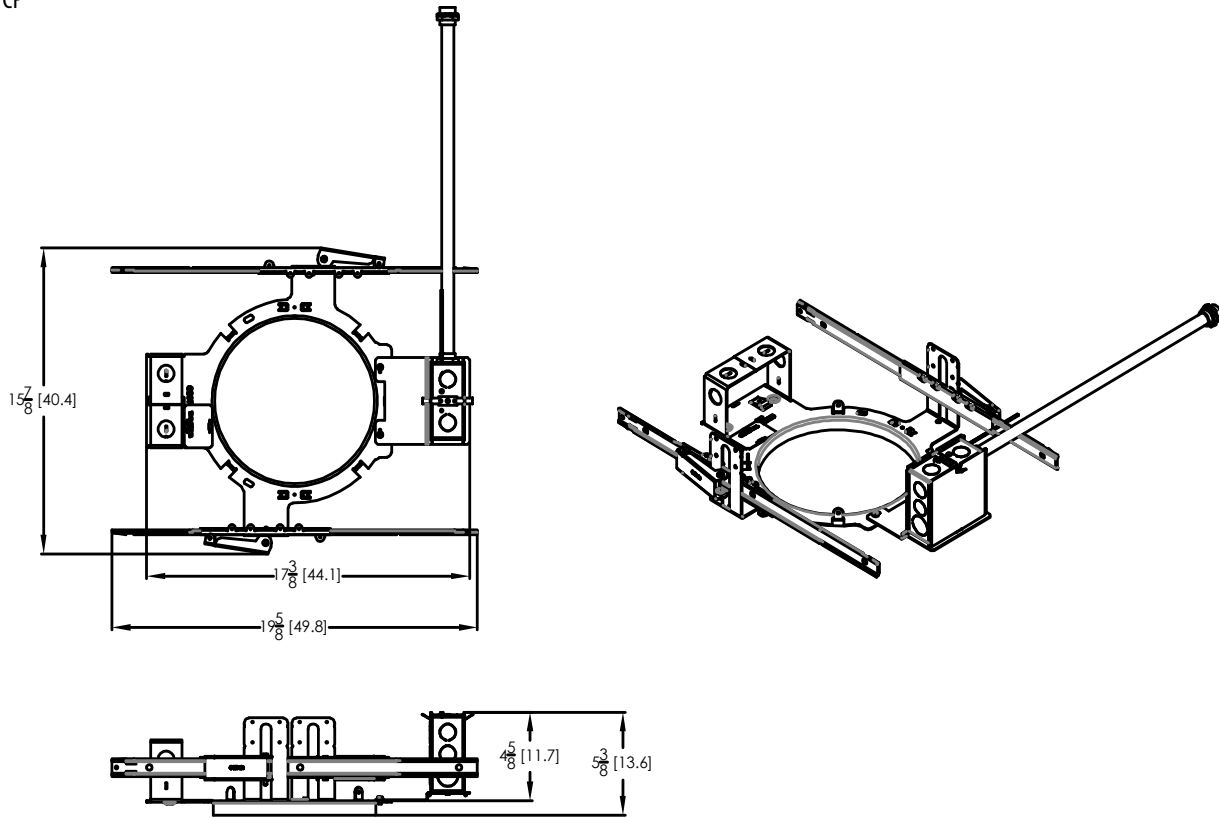
\* All dimensions are inches (millimeters) unless otherwise noted.



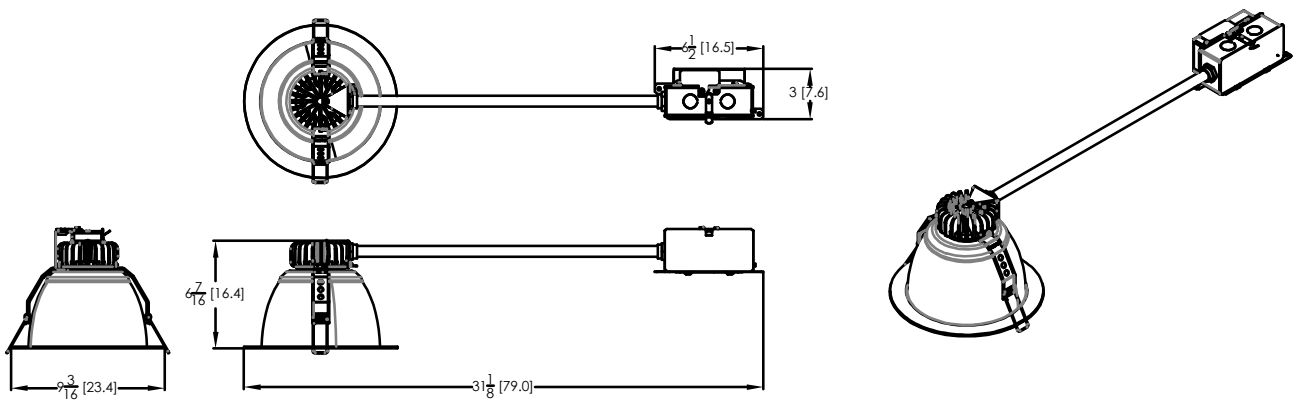
# LBR8

\* All dimensions are inches (millimeters) unless otherwise noted.

## LBR8PFWCP



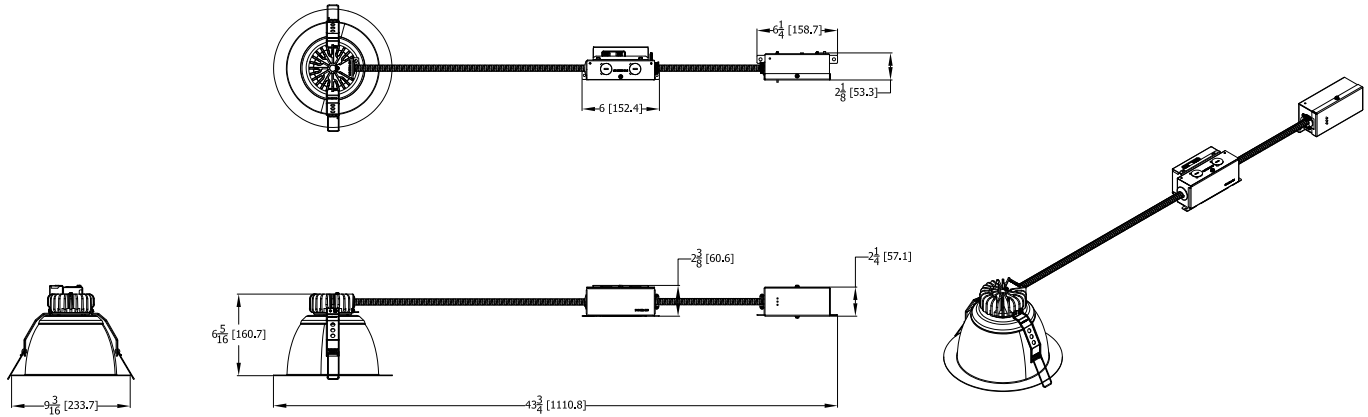
## LBR8 SWW1 ALOx MVOLT UGZ CP



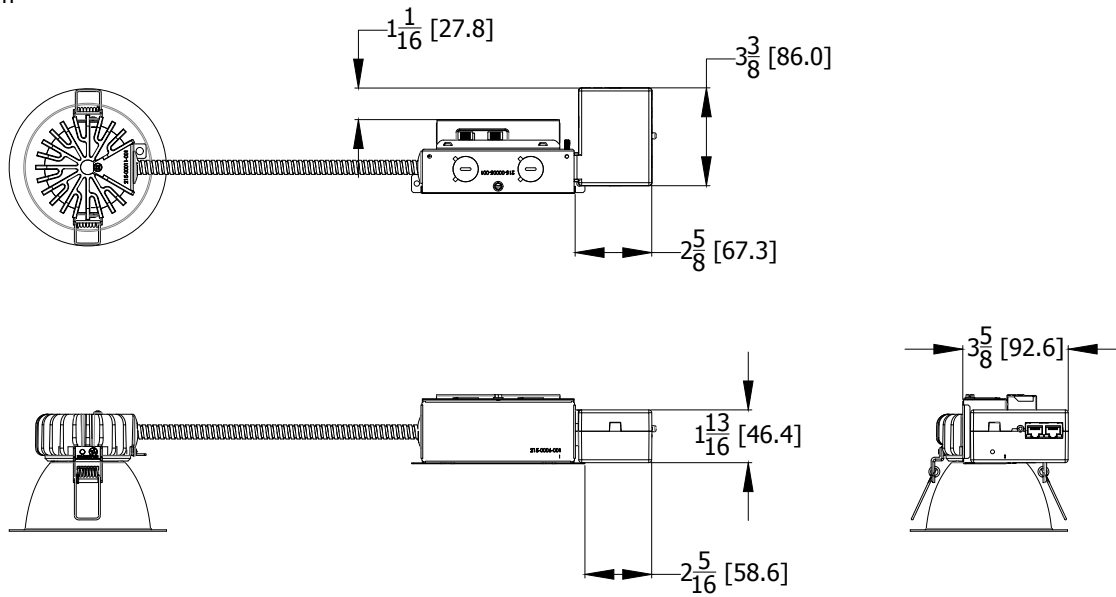
# LBR8

\* All dimensions are inches (millimeters) unless otherwise noted.

## LBR8 ALOx SWW1 xx xxx 347 UGZ



## LBRx nLIGHT



# LBR8

## PHOTOMETRY

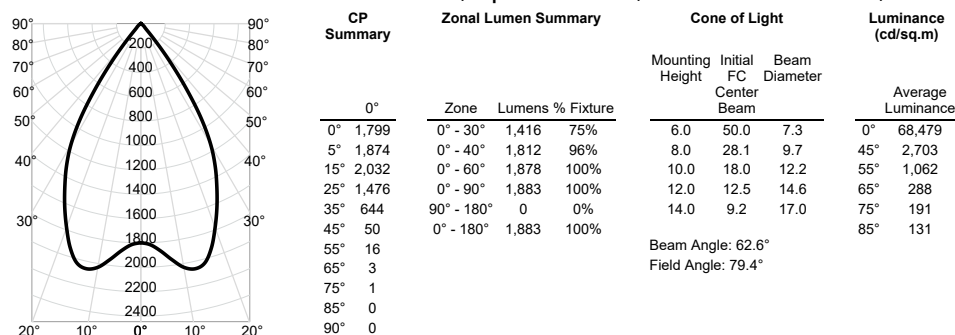
### Distribution Curve

### Distribution Data

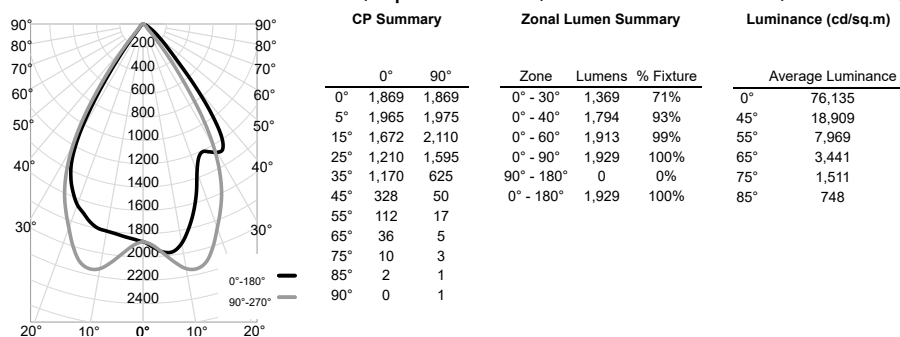
### Output Data

### Illuminance Data at 30" Above Floor for a Single Luminaire

**LBR8 SWW1 ALO2 AR LSS MWD MVOLT UGZ**, Input Watts: 18.1, Delivered Lumens: 1883, LPW: 104.0, S/MH: 1.05, Test No: 20-518-04



**LBR8WW SWW1 ALO2 AR LSS WW**, Input Watts: 18.7, Delivered Lumens: 1929, LPW: 103.2, S/MH: 0.88, Test No: 20-518-A2



| LUMEN OUTPUT MULTIPLIERS - CCT |       |       |       |
|--------------------------------|-------|-------|-------|
| 3000K                          | 3500K | 4000K | 5000K |
| 0.98                           | 1.0   | 1.01  | 1.03  |

| LUMEN OUTPUT MULTIPLIERS - FINISH |      |
|-----------------------------------|------|
| Clear Semi-spec (AR LSS)          | 1.0  |
| Metallic Silver (MS)              | 0.84 |
| White Painted (WR)                | 1.03 |
| Black Painted (BR)                | 0.60 |

| LUMEN OUTPUT MULTIPLIERS - CRI |       |
|--------------------------------|-------|
| 80                             | 1.0   |
| 90                             | 0.874 |

### HOW TO ESTIMATE DELIVERED LUMENS IN EMERGENCY MODE

Use the formula below to estimate the delivered lumens in emergency mode

$$\text{Delivered Lumens} = 1.25 \times P \times \text{LPW}$$

P = Output power of emergency driver. P = 10W for PS1055CP

LPW = Lumen per watt rating of the luminaire. This information is available on the ABL luminaire spec sheet.

The LPW rating is also available at [Designlight Consortium](http://Designlight Consortium).

## DIMMER COMPATIBILITY

Not compatible with DALI or DMX dimmers. For specific compatible dimmers see below.

| LINE VOLTAGE DIMMING: |  |                   |                    |                    |                    |                  |
|-----------------------|--|-------------------|--------------------|--------------------|--------------------|------------------|
| Type                  | Forward Phase                            | ALO1 (500-1000lm) | ALO2 (1000-2000lm) | ALO3 (2000-3000lm) | ALO4 (3000-5000lm) | Comment          |
| MLV                   | Sensorswitch WPD                         | YES               | YES                | YES                | YES                |                  |
| MLV                   | Sensorswitch CMR PDT10 ADC VLP           | YES               | YES                | YES                | YES                |                  |
| MLV                   | Synergy ISD 600LV                        | YES, 2x *         | YES                | YES                | YES                | * min 2 fixtures |
| INC                   | Synergy ISD 600 I                        | YES, 2x *         | YES                | YES                | YES                | * min 2 fixtures |
| MLV                   | Lutron Glyder GLV-600                    | YES               | YES                | YES                | YES                |                  |
| INC                   | Leviton SureSlide 6633                   | YES               | YES                | YES                | YES                |                  |
| MLV                   | Lutron Diva DVLV-600P                    | YES               | YES                | YES                | YES                |                  |
| MLV                   | Lutron Skylark SLV-600P                  | YES               | YES                | YES                | YES                |                  |
| INC                   | Lutron RadioRA 2 10ND                    | YES               | YES                | YES                | YES                |                  |
| MLV                   | Leviton SureSlide 6613-PLW               | YES               | YES                | YES                | YES                |                  |
| INC                   | Lutron Diva DVCL-153P                    | YES               | YES                | YES                | YES                |                  |
| MLV                   | Leviton IPM06                            | YES, 2x *         | YES                | YES                | YES                | * min 2 fixtures |
| INC                   | <b>Leviton IPI06</b>                     | YES, 2x *         | YES                | YES                | YES                | * min 2 fixtures |
| INC                   | <b>Control4 C4-FPD 120</b>               | YES               | YES                | YES                | YES                |                  |
|                       |  |                   |                    |                    |                    |                  |
| Type                  | Reverse Phase Dimmer Bank                | ALO1 (500-1000lm) | ALO2 (1000-2000lm) | ALO3 (2000-3000lm) | ALO4 (3000-5000lm) |                  |
| ELV                   | Lutron Nova T NTELV-600                  | YES               | YES                | YES                | YES                |                  |
| ELV                   | Lutron Diva DVELV 600P                   | YES               | YES                | YES                | YES                |                  |
| ELV                   | Lutron Maestro MAELV 600                 | YES               | YES                | YES                | YES                |                  |
| ELV                   | Leviton Vizia VPE06-1LX                  | YES               | YES                | YES                | YES                |                  |
| ELV                   | <b>Leviton Illumatech IPE04</b>          | YES               | YES                | YES                | YES                |                  |
| ELV                   | <b>Control4 C4-APD 120 REVERSE PHASE</b> | YES               | YES                | YES                | YES                |                  |
|                       |  |                   |                    |                    |                    |                  |
| Type                  | Miscellaneous Dimmers                    | ALO1 (500-1000lm) | ALO2 (1000-2000lm) | ALO3 (2000-3000lm) | ALO4 (3000-5000lm) |                  |
| PHA                   | Lutron RadioRA2 RRD-6NA                  | YES               | YES                | YES                | YES                |                  |
| PHA                   | <b>Lutron Maestro PRO LED+ RRD-PRO</b>   | YES               | YES                | YES                | YES                |                  |
|                       |  |                   |                    |                    |                    |                  |
| Type                  | Control Systems                          | ALO1 (500-1000lm) | ALO2 (1000-2000lm) | ALO3 (2000-3000lm) | ALO4 (3000-5000lm) |                  |
| MLV                   | Lutron LP-RPM-4U                         | YES               | YES                | YES                | YES                |                  |
| PHA                   | Lutron LP-RPM-4A                         | YES               | YES                | YES                | YES                |                  |
| MLV                   | Lutron GRAPHIC EYE QSGRJ-3P              | YES               | YES                | YES                | YES                |                  |
| PHA                   | Lutron PA Power Module PPHM-PA-120       | YES               | YES                | YES                | YES                |                  |
| ELV                   | Lutron nLight nSP5PCD ELV                | YES               | YES                | YES                | YES                |                  |

## DIMMER COMPATIBILITY

Not compatible with DALI or DMX dimmers. For specific compatible dimmers see below.

| 0-10V DIMMING: |                |   |              |                   |                    |                    |                    |
|----------------|----------------|---|--------------|-------------------|--------------------|--------------------|--------------------|
| Manufacturer   | System Type    | Description   | P/N          | ALO1 (500-1000lm) | ALO2 (1000-2000lm) | ALO3 (2000-3000lm) | ALO4 (3000-5000lm) |
| ACUITY         | Wall Box       | sensorswitch, dimming switch with multi-way option                          | SPODMRA      | YES               | YES                | YES                | YES                |
| ACUITY         | Wall Box       | sensorswitch, wall switch sensor, occupancy controlled dimming              | WSX D WH     | YES               | YES                | YES                | YES                |
| ACUITY         | Control System | nLight  | nPP16D       | YES               | YES                | YES                | YES                |
| ACUITY         | Control System | nLight  | nPS 80 EZ    | YES               | YES                | YES                | YES                |
| ACUITY         | Control System | nLight Air  | rPP20 D      | YES               | YES                | YES                | YES                |
| Lutron         | Other          | 0-10V (sink or source) PowPak wireless dimming module                       | RMJ-5T-DV-B  | YES               | YES                | YES                | YES                |
| Wattstopper    | Control System | Digital single relay room controller (0-10V)                                | LMRC-211     | YES               | YES                | YES                | YES                |
| Crestron       | Control System | DIN Rail 0-10V fluorescent dimmer, 4 feeds, 4 channels (Green Light System) | DIN-4DIMFLV4 | YES               | YES                | YES                | YES                |
| Lutron         | Other          | Grafik Eye 0-10V adapter  | GRX-TVI      | YES               | YES                | YES                | YES                |
| Leviton        | Wall Box       | Illumatech 0-10V  | IP710-DLX    | YES               | YES                | YES                | YES                |
| Lutron         | Control System | Mounted in the Homeworks QS panel - 0-10V dimmer (sink or source)           | GRX-TVM2     | YES               | YES                | YES                | YES                |
| Lutron         | Wall Box       | Nova 0-10V wallbox dimmer (use with PP-120-H line voltage relay)            | NFTTV        | YES               | YES                | YES                | YES                |
| Lutron         | Wall Box       | Nova 0-10V wallbox dimmer (use with PP-120-H line voltage relay)            | NTSTV-DV     | YES               | YES                | YES                | YES                |
| Lutron         | Wall Box       | Nova T  | NFTV         | YES               | YES                | YES                | YES                |
| Leviton        | Wall Box       | Renior II 0-10V   | AWSMG-7DW    | YES               | YES                | YES                | YES                |

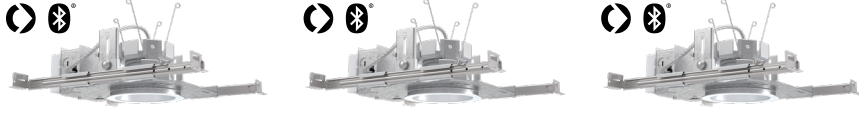


## ADDITIONAL DATA



The Sensor Switch JOT enabled solution offers a wireless, app-free approach to single room lighting control. JOT enabled products use Bluetooth® Low Energy (BLE) technology to enable wireless dimming and switching.

### Diagram



LBR8 Series



Sensor Switch  
WSXA JOT

1. **Power:** Install JOT enabled fixtures and controls as instructed.
2. **Pair:** Insert the pairing tool into the pinhole on the wall switch; press and hold any button for 6 seconds.
3. **Play:** Once paired, each fixture will individually dim down to 10% brightness. All products will be fully functional.

### COMPATIBLE 0-10V WALL-MOUNT DIMMERS

| MANUFACTURER               | PART NO.  | POWER BOOSTER AVAILABLE |
|----------------------------|---|-------------------------|
| Lutron®                    | Diva® DVTV  |                         |
|                            | Diva® DVSCTV  |                         |
|                            | Nova T® NTFTV   |                         |
|                            | Nova® NFTV  |                         |
| Leviton®                   | AWSMT-7DW   | CN100                   |
|                            | AWSMG-7DW   | PE300                   |
|                            | AMRMG-7DW   |                         |
|                            | Leviton Centura Fluorescent Control System                                    |                         |
|                            | IllumaTech® IP7 Series  |                         |
| Synergy®                   | ISD BC  | RDMFC                   |
|                            | SLD LPCS  |                         |
|                            | Digital Equinox (DEQ BC)  |                         |
| Douglas Lighting Controls  | WPC-5721  |                         |
| Entertainment Technology   | Tap Glide TG600FAM120 (120V)  |                         |
|                            | Tap Glide Heatsink TGH1500FAM120 (120V)                                       |                         |
|                            | Oasis OA2000FAMU  |                         |
| Honeywell                  | EL7315A1019   | EL7305A1010 (optional)  |
|                            | EL7315A1009   |                         |
| HUNT Dimming               | Preset slide: PS-010-IV and PS-010-WH   |                         |
|                            | Preset slide: PS-010-3W-IV and PS-010-3W-WH                                   |                         |
|                            | Preset slide, controls FD-010: PS-IFC-010-IV and PS-IFC-010-WH-120/277V       |                         |
|                            | Preset slide, controls FD-010: PS-IFC-010-3W-IV and PS-IFC-010-3W-WH-120/277V |                         |
|                            | Remote mounted unit: FD-010   |                         |
| Lehigh Electronic Products | Solitaire   | PBX                     |
| PDM Electrical Products    | WPC-5721  |                         |
| Starfield Controls         | TR61 with DALI interface port   | RT03 DALInet Router     |
| WattStopper®               | LS-4 used with LCD-101 and LCD-103  |                         |

## EXAMPLE

Group Fixture Control\*

\*Application diagram applies for fixtures with eldoLED drivers only.

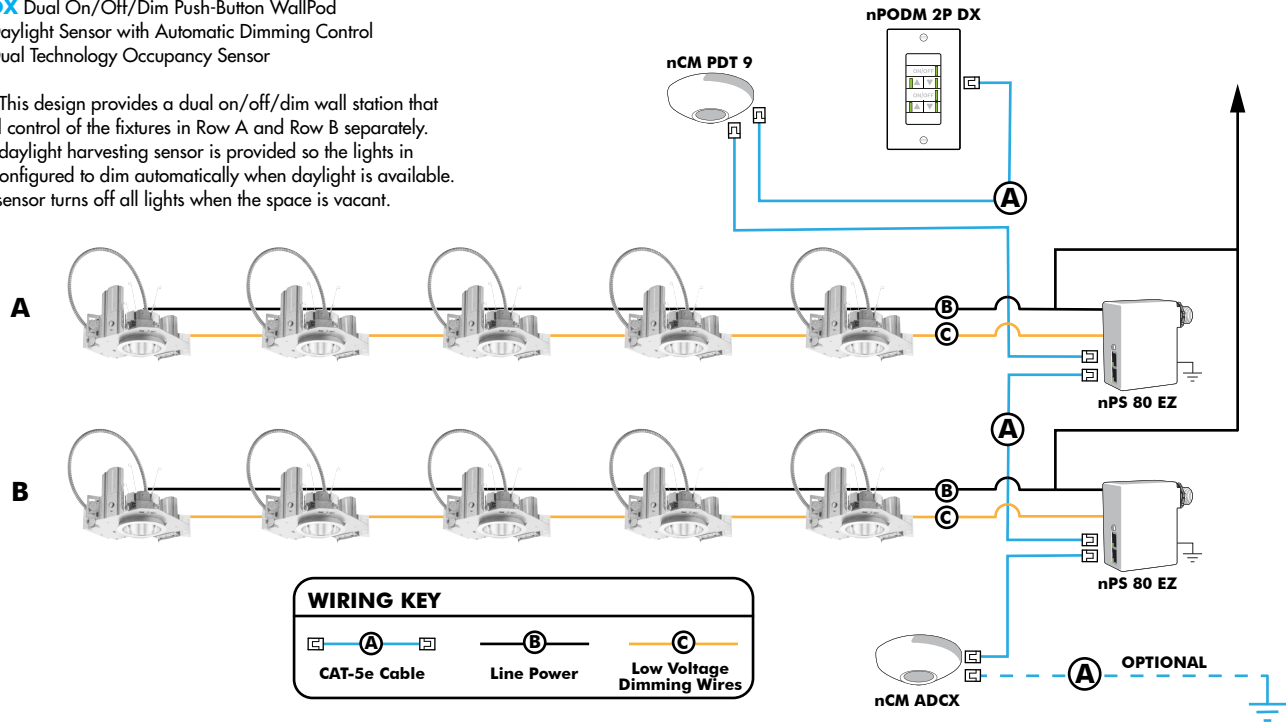
**nPS 80 EZ** Dimming/Control Pack (qty: 2 required)

**nPODM 2P DX** Dual On/Off/Dim Push-Button WallPod

**nCM ADCX** Daylight Sensor with Automatic Dimming Control

**nCM PDT 9** Dual Technology Occupancy Sensor

**Description:** This design provides a dual on/off/dim wall station that enables manual control of the fixtures in Row A and Row B separately. Additionally, a daylight harvesting sensor is provided so the lights in Row B can be configured to dim automatically when daylight is available. An occupancy sensor turns off all lights when the space is vacant.



## Choose Wall Controls

nLight offers multiple styles of wall controls - each with varying features and user experience.



**Push-Button Wallpod**  
Traditional tactile buttons and LED user feedback



**Graphic Wallpod**  
Full color touch screen provides a sophisticated look and feel

## nLight® Wired Controls Accessories:

Order as separate catalog number. Visit [www.acuitybrands.com/products/controls/nlight](http://www.acuitybrands.com/products/controls/nlight) for complete listing of nLight controls.

| WallPod Stations          | Model number        | Occupancy sensors                          | Model Number                |
|---------------------------|---------------------|--|-----------------------------|
| On/Off                    | nPODM (Color)       | Small motion 360°, ceiling (PIR/dual Tech) | nCM 9 / nCM PDT 9           |
| On/Off & Raise/Lower      | nPOD DX (Color)     | Large motion 360°, ceiling (PIR/dual tech) | nCM 10 / nCM PDT 10         |
| Graphic Touchscreen       | nPOD GFX (Color)    | Wide View (PIR/dual tech)                  | nWV 16 / nWV PDT 16         |
| <b>Photocell controls</b> | <b>Model Number</b> | Wall Switch w/ Raise/Lower (PIR/dual tech) | nWSX LV DX / nWSX PDT LV DX |
| Dimming                   | nCM ADCX            | <b>Cat-5 cables (plenum rated)</b>         | <b>Model Number</b>         |
|                           |                     | 10', CAT5 10FT                             | CATS 10FT J1                |
|                           |                     | 15', CAT5 15FT                             | CATS 15FT J1                |

**nLight® AIR Control Accessories:**

Order as separate catalog number. Visit [www.acuitybrands.com/products/controls/nlightair](http://www.acuitybrands.com/products/controls/nlightair).

| Wall switches                    | Model number              |
|----------------------------------|---------------------------|
| On/Off single pole               | rPODB [color]             |
| On/Off two pole                  | rPODB 2P [color]          |
| On/Off & raise/lower single pole | rPODB DX [color]          |
| On/Off & raise/lower two pole    | rPODB 2P DX [color]       |
| On/Off & raise/lower single pole | rPODBZ DX WH <sup>1</sup> |

**Notes**

1 Can only be ordered with the RES7Z zone control sensor version.

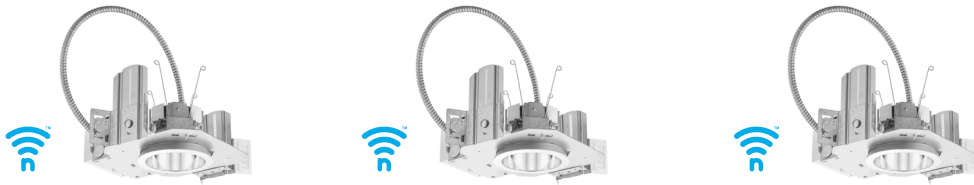
**UL924 Sequence of Operation**

The below information applies to all nLight AIR devices with an EM option.

- EM devices will remain at their high-end trim and ignore wireless lighting control commands, unless a normal-power-sensed (NPS) broadcast is received at least every 8 seconds.
- Using the CLAIRITY+ mobile app, EM devices must be associated with a group that includes a normal power sensing device to receive NPS broadcasts.
- Only non-emergency rPP20, rLSXR, rSBOR, rSDGR, and nLight AIR luminaires with version 3.4 or later firmware can provide normal power sensing for EM devices. See specification sheets for control devices and luminaires for more information on options that support normal power sensing.

**nLight AIR**

nLight AIR is the ideal solution for retrofit or new construction spaces where adding communication is cost prohibitive. The integrated nLight AIR rPP20 Power Pack is part of each Lithonia LDN Luminaire. These individually addressable controls offer the ultimate in flexibility during initial setup and for space repurposing.



Simple as 1,2,3

1. Install the nLight® AIR fixtures with embedded smart sensor
2. Install the wireless battery-powered wall switch
3. With CLAIRITY app, pair the fixtures with the wall switch and if desired, customize the sensor settings for the desired outcome

