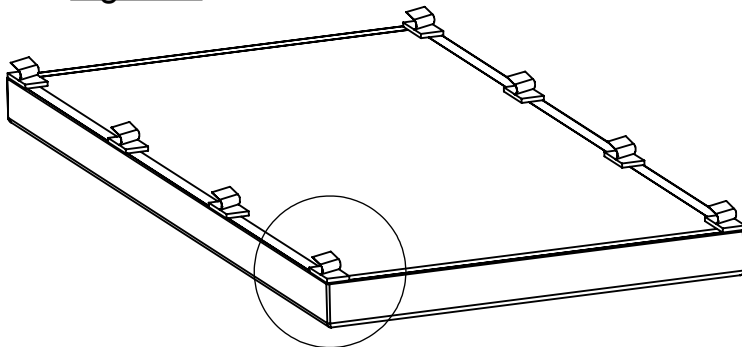
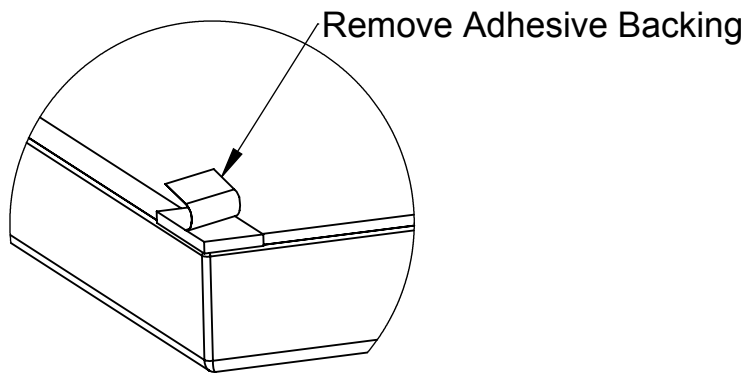


Figure 1



A



Remove Adhesive Backing

DETAIL A

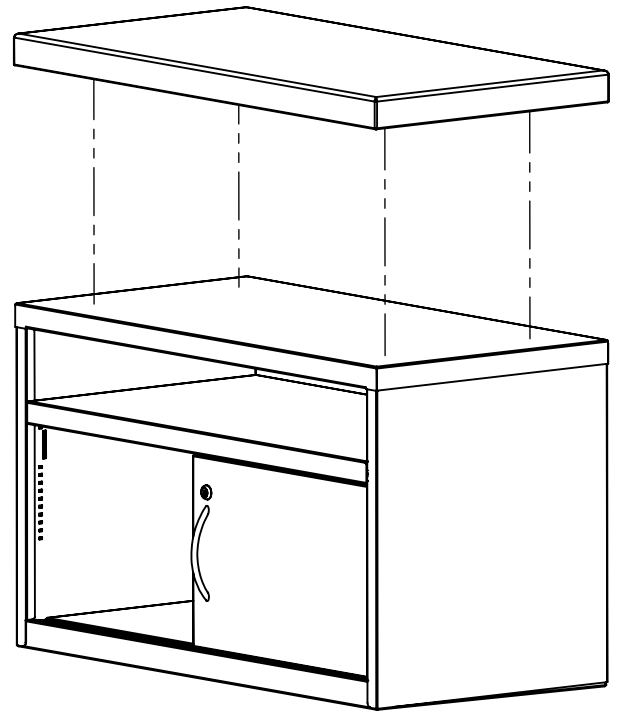


Figure 2

**IMPORTANT!** Read all instructions before proceeding.

1. Remove adhesive backing from each hook and loop fastener on the seat cushion.



**Do not separate the hook and loop fastener before installing the seat cushion. (Figure 1)**

2. Align the four edges of the seat with each side of the top panel and press down firmly to secure the seat to the product's top panel. (Figure 2)