

This document, including the design, configuration and mechanical features revealed herein are the sole, confidential and proprietary property of TRU Corporation. Reproduction or use thereof, in whole or part, is prohibited without the prior written consent of TRU Corporation.

REV.	DESCRIPTION	DATE	APPROVED
-	ORIGINAL ISSUE	01/12/15	AM

ENGINEERING DATA

ELECTRICAL:

IMPEDANCE: 50 OHMS NOMINAL
 FREQUENCY RANGE: DC to 3 GHz

INTERFACE:

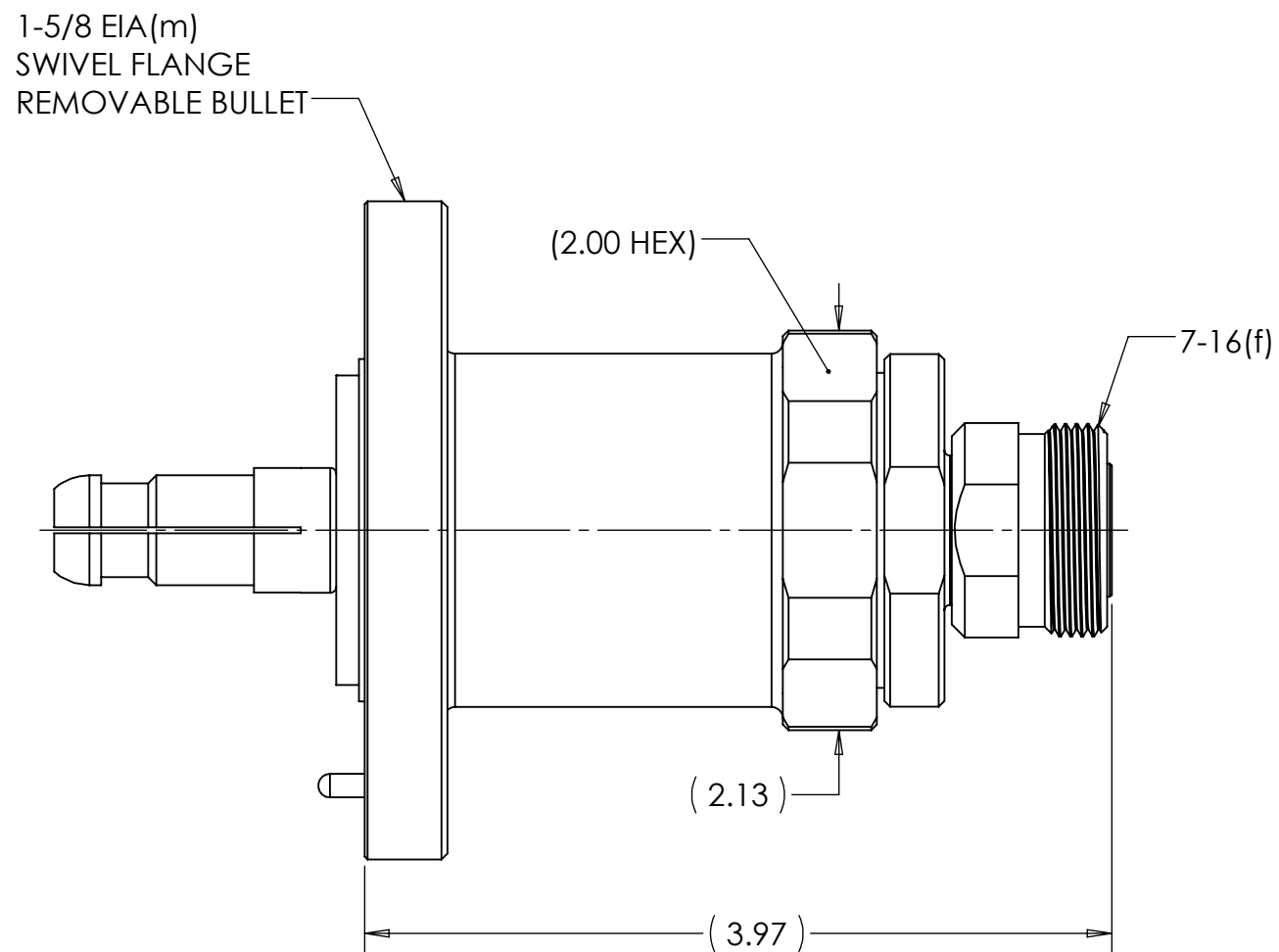
1-5/8 EIA: PER EIA RS-225 & MIL-DTL-24044
 7-16(f): PER IEC 169-4

MATERIAL:

CENTER CONTACTS: BRASS & BERYLLIUM COPPER
 CONTACT FINGER: PHOSPHOR BRONZE
 INSULATORS: PTFE
 O-RING: SILICONE RUBBER
 OTHER METAL PARTS: BRASS


FINISH:

EIA BODY & COUPLING RING: NICKEL PLATED
 CENTER CONTACTS, 7-16 BODY & CONTACT FINGER: SILVER PLATED



NOTES:

- UNLESS OTHERWISE SPECIFIED; ALL DIMENSIONS ARE FOR REFERENCE ONLY.
- SUPPLIED WITH THE FOLLOWING ITEMS:
 - QTY 4 5/16-18 X 1.50 HEX HEAD BOLT
 - QTY 4 5/16-18 HEX NUT
 - QTY 8 5/16 LOCKWASHER
 - QTY 1 O-RING

MATERIAL	DO NOT SCALE DRAWING	DRAWN MVC	DATE 01/05/15	 <p>TRU Corporation 245 Lynnfield St, Peabody, MA 01960</p>	
	UNLESS OTHERWISE SPECIFIED: DIMENSIONS ARE IN INCHES TOLERANCES: FRACTIONS: ±1/64 .XX : ±.01 .XXX: ±.005 ANGLES: ±1/2° MACHINED SURFACES: 63/√	ENG APPR. AM	DATE 01/06/15		
COMMENTS:		THIRD ANGLE PROJECTION	MFG APPR.	DATE	TITLE: CONNECTOR, COAXIAL 1-5/8 EIA(m) to 7-16(f) ADAPTER
	OTHER APPR.		DATE	SIZE B DWG. NO. TRU-12848 REV -	
surface area: sq inch	weight: lbs	CAGE CODE: 92180		SCALE: 1:2	SHEET 1 OF 1