

# Minnesota **FATS**<sup>®</sup>

We strive to ensure that our products are of the highest quality and free of manufacturing defects or missing parts. However, if you have any problems with your new product,

**DO NOT RETURN IT TO THE STORE,**

please contact us toll free @:

1-866-556-2757

FAX: 1-866-873-3531

pooltables@escaladesports.com

Or write to:

Escalade Sports

Customer Service Department

P.O. Box 889

Evansville IN 47706

Please visit our Web site at:

[www.escaladesports.com](http://www.escaladesports.com)

Please have your model number when inquiring about parts.

When contacting Escalade Sports please provide your model number, date code (if applicable) and part number if requesting a replacement part. These numbers are located on the product, packaging, and this owners manual.

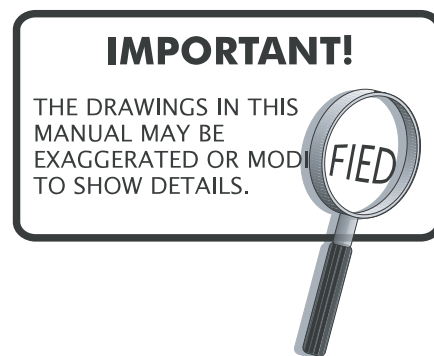
Your Model Number MFT901-TBL

Date Code 2-MFT901-TBL-DO

Purchase Date \_\_\_\_\_

PLEASE RETAIN THIS INSTRUCTION MANUAL FOR FUTURE REFERENCE

**IMPORTANT! READ EACH STEP  
IN THIS MANUAL BEFORE YOU  
BEGIN THE ASSEMBLY.**



## TWO ADULTS ARE REQUIRED TO ASSEMBLE THIS THIS MINNESOTA FATS 7.5FT FULLERTON POOL TABLE

### Tools Required:

Allen Wrench T1 & Wrench T2 Included with the Hardware Kit  
Furniture Polish and Cloth

**An electric screwdriver is helpful in assembly. However, please set at low torque and use extreme caution with an electric screwdriver because you could overtighten the hardware and strip the screws.**

## Assembly Tips

Make sure you understand the following tips before you begin to assemble your pool table.

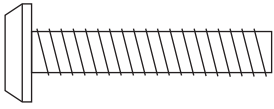
1. Start all bolts by hand before tightening.
2. Some drawings or images in this manual may not look exactly like your product. Please read and understand the text before starting each assembly step.

### **ATTENTION:**

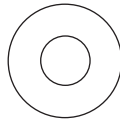
**READ AND FOLLOW ALL ASSEMBLY, OPERATION, AND  
SAFETY INSTRUCTIONS CAREFULLY. AT LEAST TWO  
ADULTS ARE NEEDED TO PUT THIS POOL TABLE  
TOGETHER.**

# HARDWARE IDENTIFIER

(To Scale)



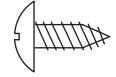
H1 - 1/4" x 1-1/4"  
Allen Head Bolt (16)



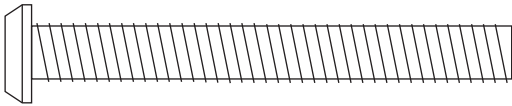
H2 - 1/4"  
Flat Washer (16)



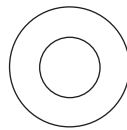
H3 - 1/4"  
Lock Washer (16)



H4 - 4mm x 10mm  
Phillips Round  
Head Screw (16)



H5 - 5/16" x 2-1/4"  
Allen Head Bolt (12)



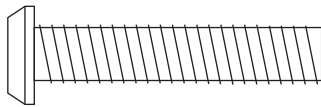
H6 - 5/16"  
Flat Washer (36)



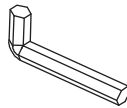
H7 - 5/16"  
Lock Washer (24)



H8 - 5/16"  
Nut (12)



H9 - 5/16" x 1-1/2"  
Allen Head Bolt (12)



(Not to Scale)

T1 - Allen Wrench (1)

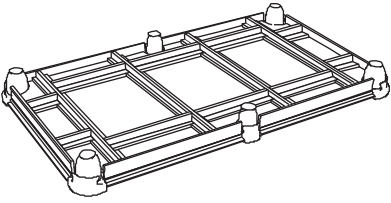


(Not to Scale)

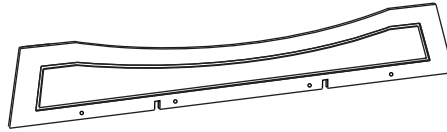
T2 - Wrench (1)

# PARTS IDENTIFIER

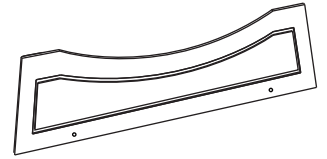
(Not To Scale)



P1R - Pool Table Cabinet (1)



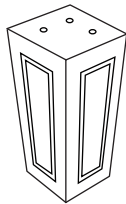
P2R - Side Apron (2)



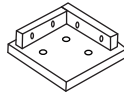
P3 - End Apron (2)



P4 - Corner Post (4)



P5 - Leg (4)



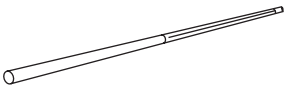
P6 - Leg Support Brace (4)



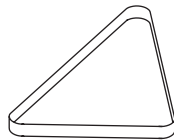
P7 - Wooden Block (12)

# ACCESSORIES IDENTIFIER

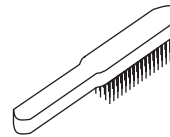
(Not To Scale)



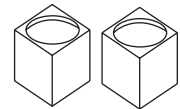
A1 - Cue Stick (2)



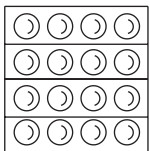
A2 - Triangle (1)



A3 - Playfield Cloth Brush (1)



A4 - Cue Chalk (2)



A5 - Billiard Ball Set (1)



A6 - Leveling Shim (10)  
\*\* Use under legs  
only as required \*\*



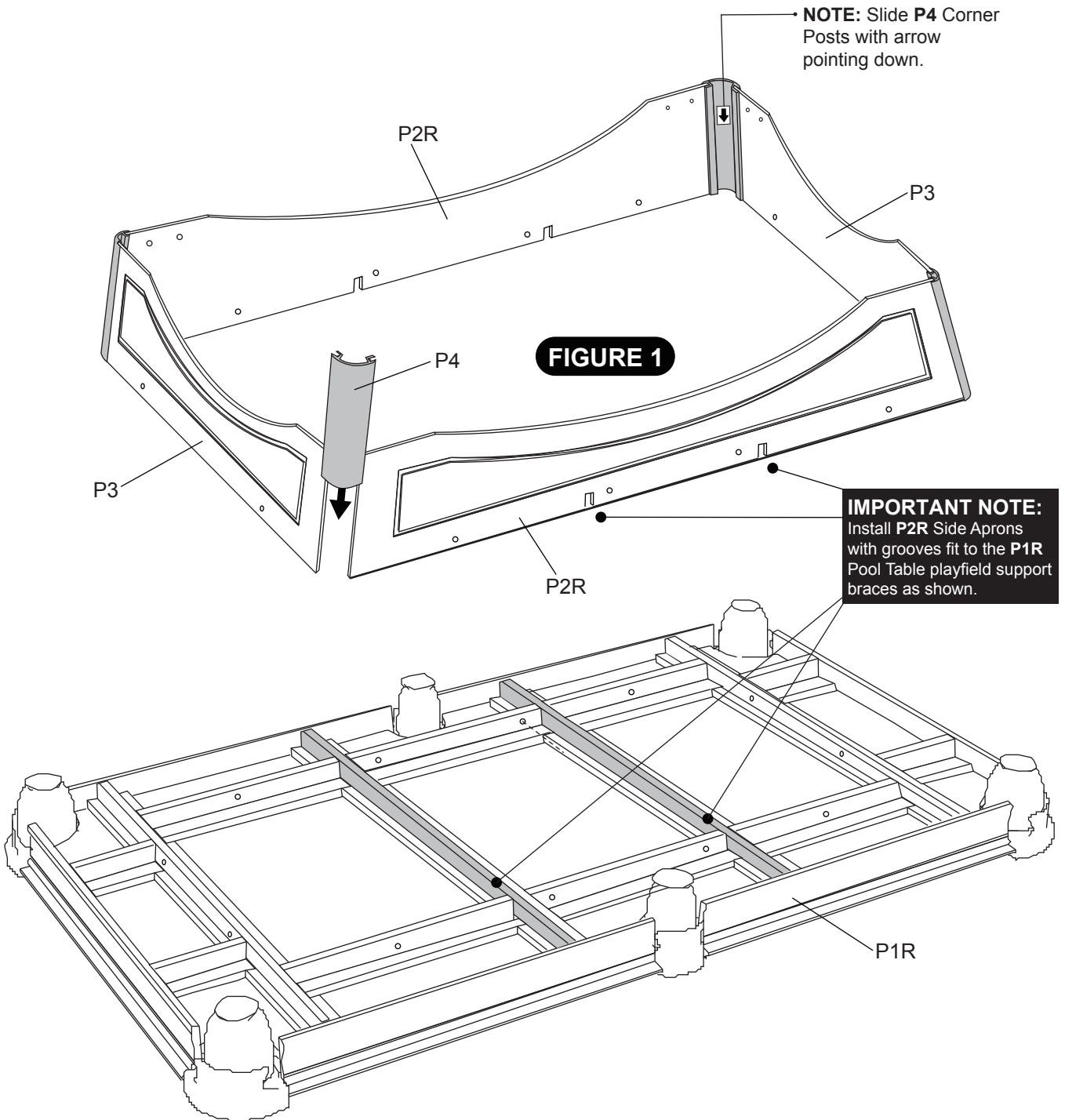
**PARTS REQUIRED:**

1 pc - **P1R** Pool Table Cabinet    2 pcs - **P3** End Apron  
2 pcs - **P2R** Side Apron            4 pcs - **P4** Corner Post

**STEP 1:**

With the help of another adult, install **P2R** Side Aprons and **P3** End Aprons onto **P1R** Pool Table Cabinet with **P4** Corner Posts attach as shown in **FIGURE 1**.

**IMPORTANT NOTE: SLIDE P4 CORNER POSTS WITH ARROW POINTING DOWN.**



**PARTS REQUIRED:**

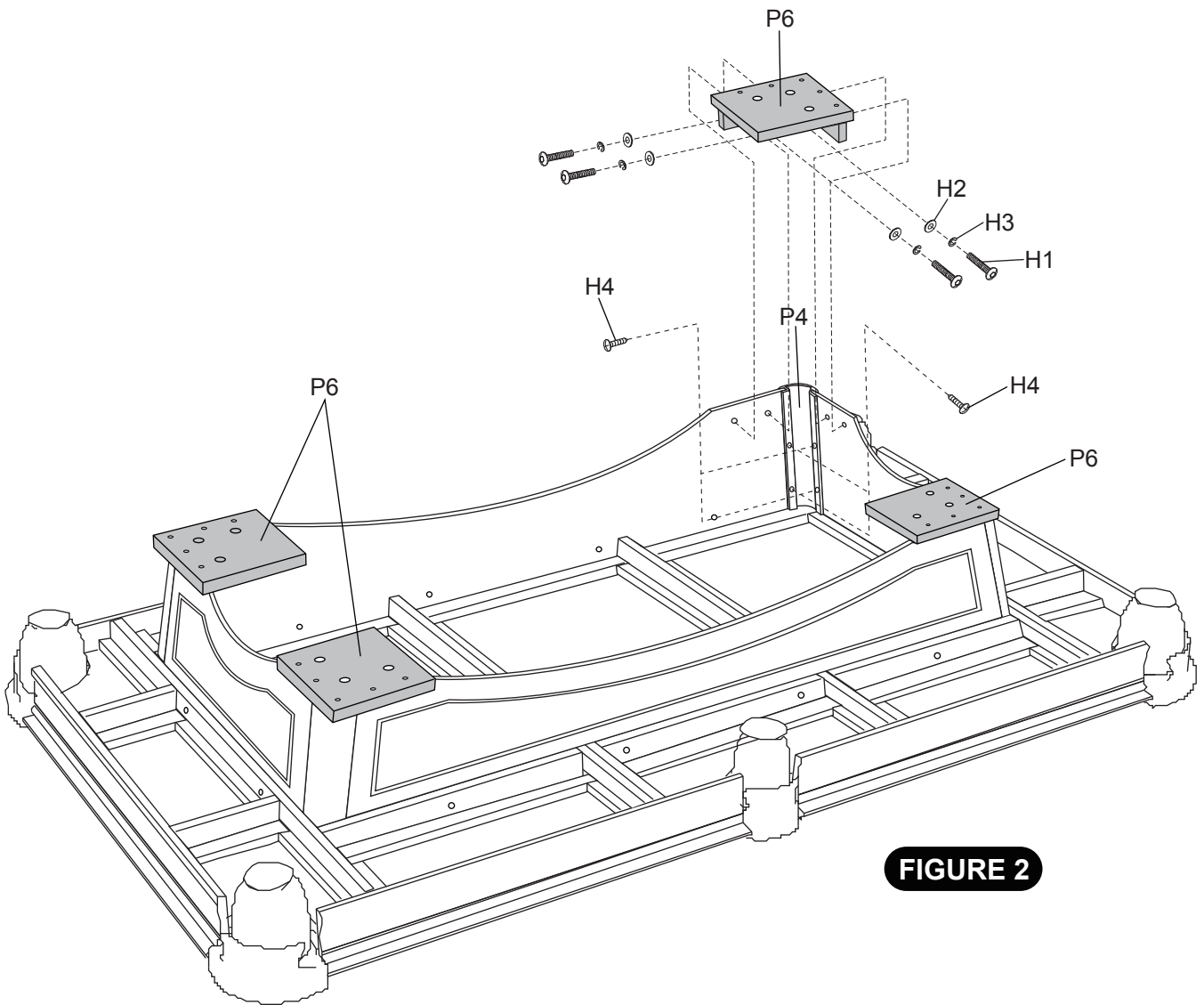
- |                                    |  |
|------------------------------------|--|
| 16 pcs - <b>H1</b> Allen Head Bolt | 16 pcs - <b>H4</b> Phillips Round Head Screw |
| 16 pcs - <b>H2</b> Flat Washer     | 4 pcs - <b>P6</b> Leg Support Brace          |
| 16 pcs - <b>H3</b> Lock Washer     | 1 pc - <b>T1</b> Allen Wrench                |

**STEP 2:**

Install **P6** Leg Support Braces using **H1** Allen Head Bolts with **H2** Flat Washers and **H3** Lock Washers as shown in **FIGURE 2**. Use **T1** Allen Wrench to tighten all **H1** Allen Head Bolts.

Secure **P4** Corner Posts using **H4** Phillips Round Head Screws as shown in **FIGURE 2**.

**IMPORTANT NOTE: TIGHTEN, BUT DO NOT STRIP OUT H4 SCREWS.**



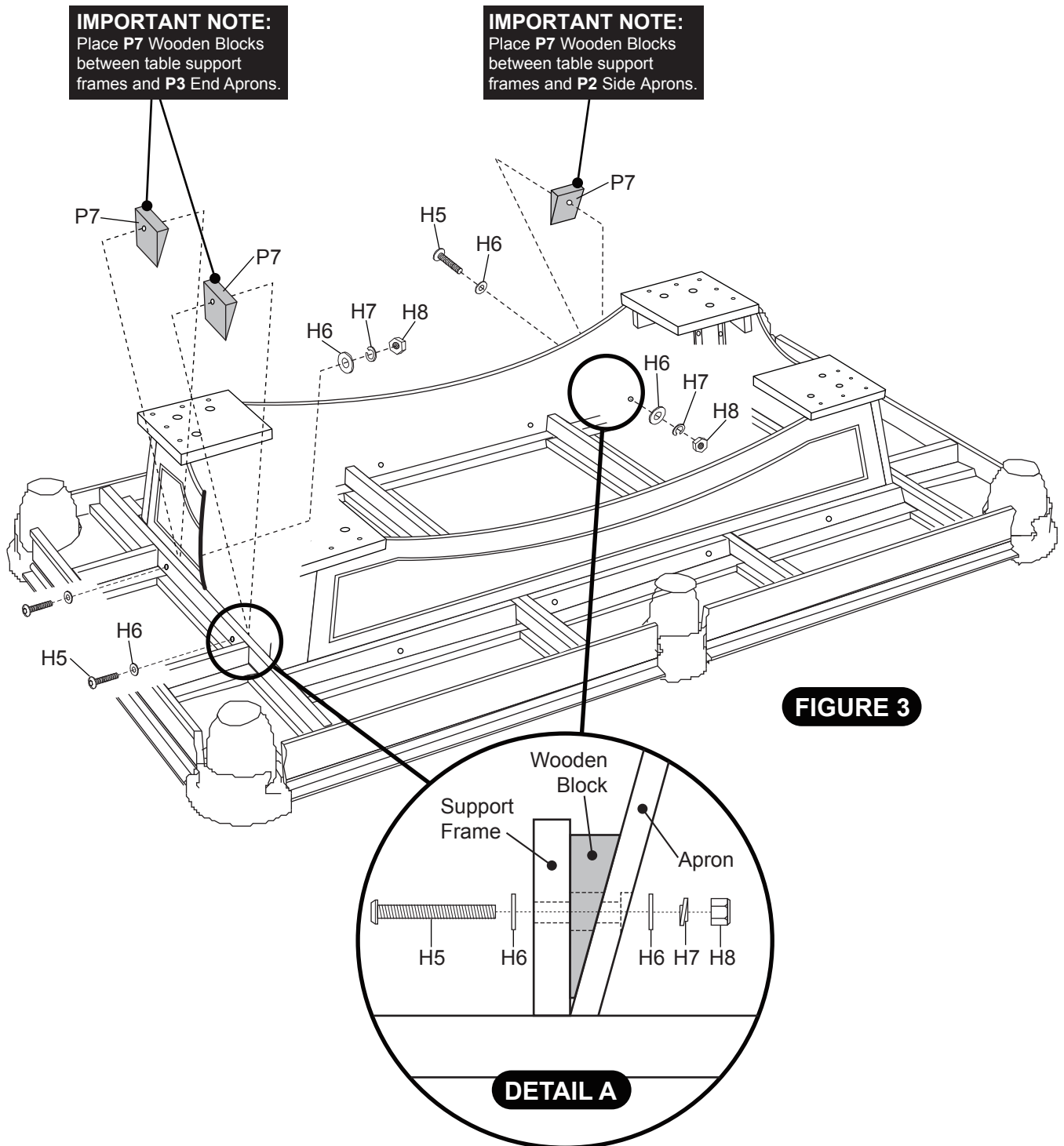
**FIGURE 2**

**PARTS REQUIRED:**

- |                                    |                                 |
|------------------------------------|---------------------------------|
| 12 pcs - <b>H5</b> Allen Head Bolt | 12 pcs - <b>H8</b> Nut          |
| 24 pcs - <b>H6</b> Flat Washer     | 12 pcs - <b>P7</b> Wooden Block |
| 12 pcs - <b>H7</b> Lock Washer     | 1 pc - <b>T1</b> Allen Wrench   |
|                                    | 1 pc - <b>T2</b> Wrench         |

**STEP 3:**

Install **P7** Wooden Blocks using **H5** Allen Head Bolts with **H6** Flat Washers, **H7** Lock Washers and **H8** Nuts as shown in **DETAIL A** and **FIGURE 3**. Use **T1** Allen Wrench and **T2** Wrench to tighten all **H5** Allen Head Bolts.

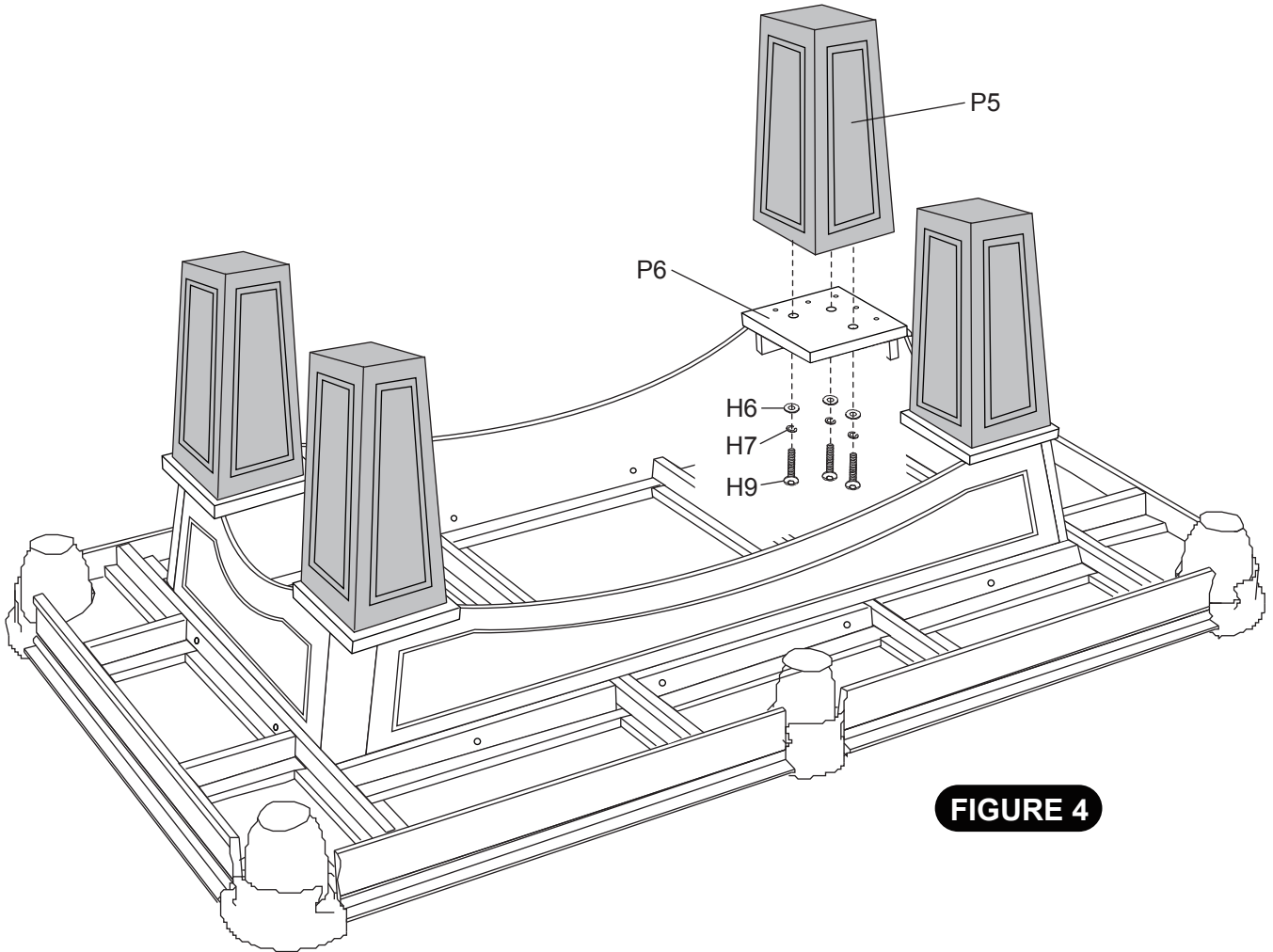


**PARTS REQUIRED:**

- |                             |                        |
|-----------------------------|------------------------|
| 12 pcs - H6 Flat Washer     | 4 pcs - P5 Leg         |
| 12 pcs - H7 Lock Washer     | 1 pc - T1 Allen Wrench |
| 12 pcs - H9 Allen Head Bolt |                        |

**STEP 4:**

Install P5 Legs to each P6 Leg Support Brace using H9 Allen Head Bolts, H6 Flat Washers and H7 Lock Washers as shown in FIGURE 4. Use T1 Allen Wrench to tighten all H9 Bolts.



**FIGURE 4**

**! ATTENTION:**

**THIS STEP REQUIRES FOUR OR MORE ADULTS.**

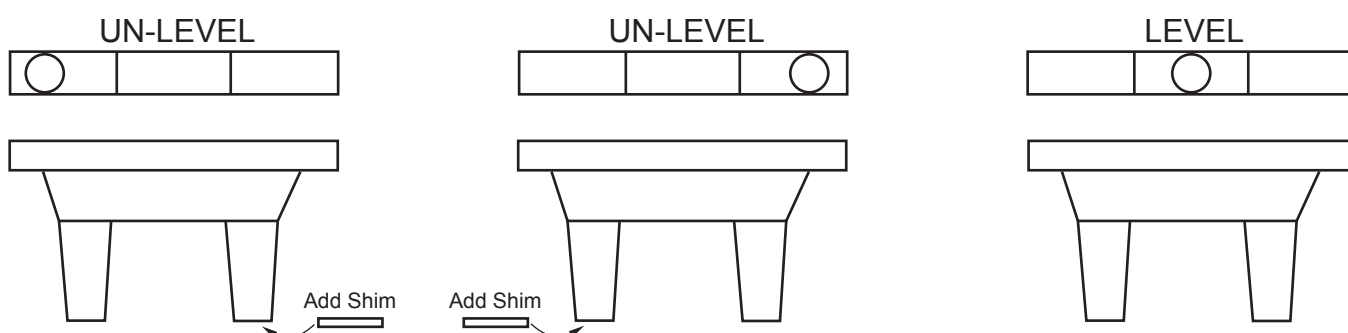
**VERY CAREFULLY TURN THE TABLE OVER AND SET IT ON ITS LEGS. BE CAREFUL. THE TABLE IS VERY HEAVY.**

**DO NOT REST TABLE ON THE TWO SIDE LEGS WHILE TURNING THE TABLE UPRIGHT AS THIS COULD DAMAGE THE LEGS.**



# INSTRUCTIONS FOR LEVELING A POOL TABLE

- Assemble pool table according to the instruction.
- Any type of level would be sufficient to perform this procedure. However, a two-foot level is recommended.
- Before leveling, make sure level is placed on the playing surface, not the rails.
- Level the ends between the corner pockets: Place the level on the playing surface between the two corner pockets and adjust the height by placing shims (A6) underneath the leg opposite of which the bubble in the level favors until the bubbles rests in the middle of the level.



- Repeat the step above to the opposite corner pockets.
- Next, level the length of the table. Place the level next to the side pocket and adjust the height to position the bubble in the middle of the level, using the shims beneath the leg opposite of which the bubble in the level favors.
- Repeat the step above to the opposite length of the table.
- Recheck both short ends to ensure bubble is in the middle on the level.
- Depending on the surface the pool table sits, especially deep pile carpeting, the pool table needs to settle for 24 hours. Recheck the level on each side of the table after 24 hours.

Congratulations! You have now assembled your pool table. Please note the Care and Use instructions below to insure many years of trouble free use of your pool table.

## CARE AND USE OF YOUR TABLE

1. Use spray furniture polish to clean all exterior surfaces of your pool table.
2. Use the table brush provided to clean the cloth on the table.
3. This product is intended for **INDOOR** use only.
4. **DO NOT** sit, climb or lean on the table.
5. **DO NOT** drag the table when moving it. This will damage the legs.
6. **DO NOT** set drinks on the table.
7. The purchase of a pool table cover will both protect and help keep clean the entire top of the pool table.

## MFT901-TBL PRODUCT PARTS LISTS

Part#	Key#	Description	Qty
MFT901-TBLDOH1	H1	1/4" x 1-1/4" Allen Head Bolt	16
MFT901-TBLDOH2	H2	1/4" Flat Washer	16
MFT901-TBLDOH3	H3	1/4" Lock Washer	16
MFT901-TBLDOH4	H4	4 mm x 10 mm Phillips Round Head Screw	16
MFT901-TBLDOH5	H5	5/16" x 2-1/4" Allen Head Bolt	12
MFT901-TBLDOH6	H6	5/16" Flat Washer	36
MFT901-TBLDOH7	H7	5/16" Lock Washer	24
MFT901-TBLDOH8	H8	5/16" Nut	12
MFT901-TBLDOH9	H9	5/16" x 1-1/2" Allen Head Bolt	12
MFT901-TBLDOT1	T1	Allen Wrench	1
MFT901-TBLDOT2	T2	Wrench	1
MFT901-TBLDOP1R	P1R	Pool Table Cabinet	1
MFT901-TBLDOP2R	P2R	Side Apron	2
MFT901-TBLDOP3	P3	End Apron	2
MFT901-TBLDOP4	P4	Corner Post	4
MFT901-TBLDOP5	P5	Leg	4
MFT901-TBLDOP6	P6	Leg Support Brace	4
MFT901-TBLDOP7	P7	Wooden Block	12
MFT901-TBLDOA1	A1	Cue Stick	2
MFT901-TBLDOA2	A2	Triangle	1
MFT901-TBLDOA3	A3	Playfield Cloth Brush	1
MFT901-TBLDOA4	A4	Cue Chalk	2
MFT901-TBLDOA5	A5	Billiard Ball Set	1
MFT901-TBLDOA6	A6	Leveling Shim	10
MFT901-TBLDOK1	K1	Hardware Kit	1
MFT901-TBLDOM1	M1	Owner's Manual	1

## 90 DAY LIMITED WARRANTY

This customer warranty extends to the original owner, on the purchase of any ESCALADE SPORTS Product (hereinafter referred as the "Product").

**WARRANTY DURATION:** This Product is warranted to the original owner, for a period of 90 days from the original purchase.

**WARRANTY COVERAGE:** ESCALADE SPORTS warrants to the original owner, this product to be free from defects in material and workmanship when used for the intended purpose under normal use and conditions. THIS WARRANTY IS VOID IF THE PRODUCT HAS BEEN DAMAGED BY ACCIDENT, UNREASONABLE USE, NEGLIGENCE, IMPROPER SERVICE, FAILURE TO FOLLOW INSTRUCTIONS PROVIDED WITH THE PRODUCT OR OTHER CAUSES NOT ARISING OUT OF DEFECTS IN MATERIAL AND WORKMANSHIP.

**WARRANTY REPLACEMENT:** During the above 90 day warranty period, ESCALADE SPORTS shall provide replacement components or replace with a comparable product at our choosing. If product is defective under normal use and proper care, please contact our Customer Service Dept.

1-866-556-2757 / Customer Service Dept.

Or Write us at:

Escalade® Sports, Inc. - P.O. Box 889, Evansville, IN 47706

Attn: Customer Service Dept.

Or E-mail us at:

[customerservice@escaladesports.com](mailto:customerservice@escaladesports.com)

Other than shipping requirements no charge will be made for such replacement of in-warranty Products.

**WARRANTY DISCLAIMERS:** ANY IMPLIED WARRANTIES ARISING OUT OF THIS SALE, INCLUDING BUT NOT LIMITED TO THE IMPLIED WARRANTIES OF MERCHANTABILITY AND FITNESS FOR A PARTICULAR PURPOSE, ARE LIMITED IN DURATION TO THE ABOVE 90 DAY PERIOD. ESCALADE SPORTS SHALL NOT BE LIABLE FOR LOSS OF USE OF THE PRODUCT OR OTHER CONSEQUENTIAL OR INCIDENTAL COSTS, EXPENSES OR DAMAGES INCURRED BY THE CONSUMER OF ANY OTHER USE.

Some states do not allow the exclusion or limitation of implied warranties or consequential or incidental damages, so the above limitations or exclusions may not apply to you.

**LEGAL REMEDIES:** This warranty gives you specific legal rights and you may also have other rights which may vary from state to state.