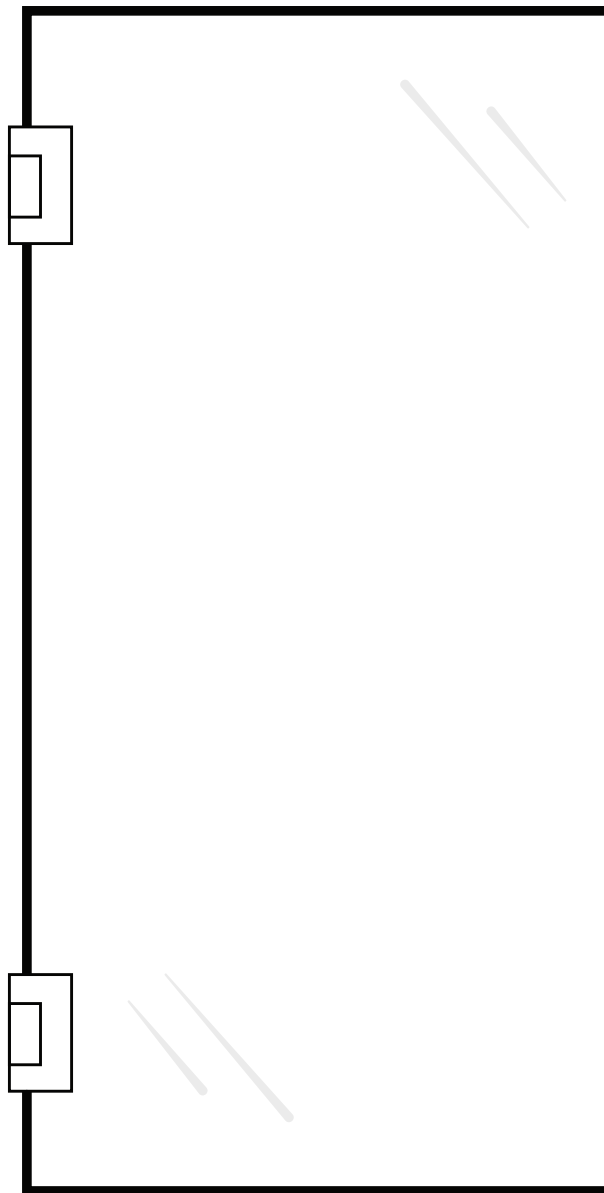


Bathtub Door

INSTALLATION INSTRUCTIONS

SM-TD0501





PRIOR TO INSTALLATION:

- Inspect product to ensure no damages have occurred while in shipping.
- Observe all plumbing and building codes in accordance with your state and local requirements.
- All dimensions are nominal! Be sure to measure your bathtub door prior to installation.
- The step-by-step guidelines in the installation instructions are a general reference. Should there be any discrepancies, Swiss Madison cannot be held liable. It is recommended to install all Swiss Madison products by hiring a licensed professional.
- Read installation and maintenance instructions thoroughly before installing. Be sure to use proper tools and always wear proper personal safety accessories for your protection.

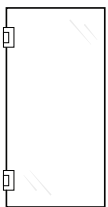
QUESTIONS OR CONCERNS?

Please contact us:

1-434-623-4766

info@swissmadison.com

INCLUDED PARTS:



Bathtub Door

SUGGESTED TOOLS & MATERIALS:



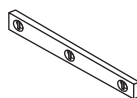
Safety Glasses



Gloves



Drop Cloth



Level



Drill



Hammer



Screwdriver



Tape Measure



Pencil

PARTS FOR REFERENCE:

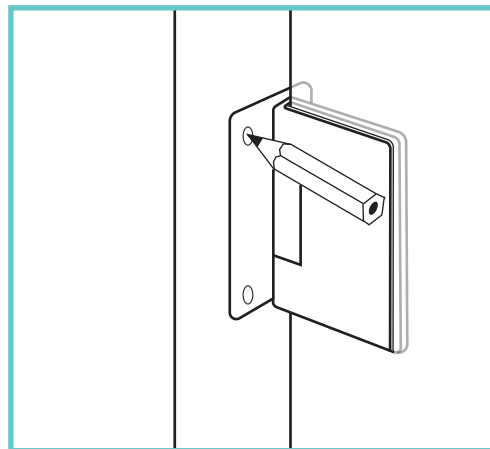
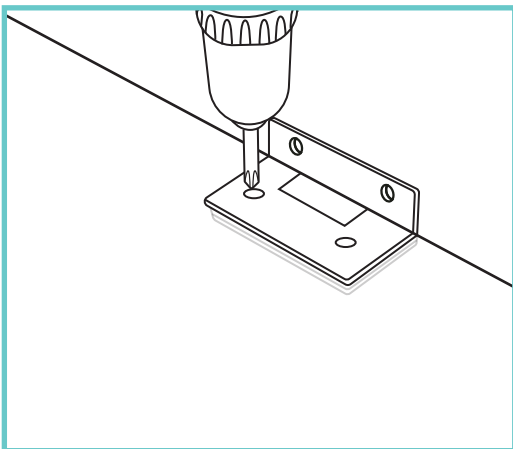
- A. Glass panel
- B. Stainless steel door handle 30 mm
- C. Hinges 90 mm x 55 mm (2)
- D. Screws 5 mm x 50 mm (8)
- E. Plastic anchors 8 mm (8)
- F. Waterproofing strip

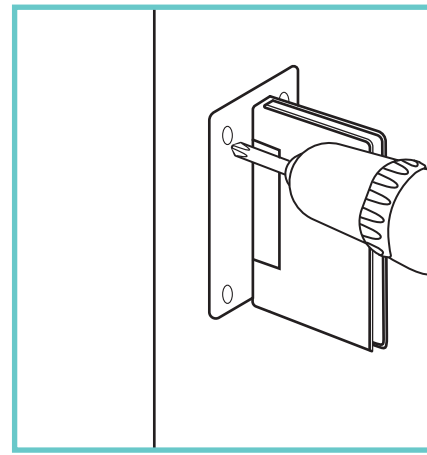
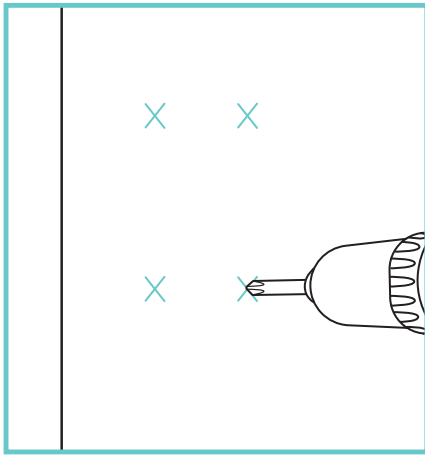
**NOTE: THIS MODEL IS DESIGNED FOR REVERSIBLE INSTALLATION.
THE FOLLOWING INSTALLATION GUIDE CAN BE USED FOR RIGHT OR LEFT WALL INSTALLATION.**

INSTALLATION:

1 Prepare Wall and Install Hinges

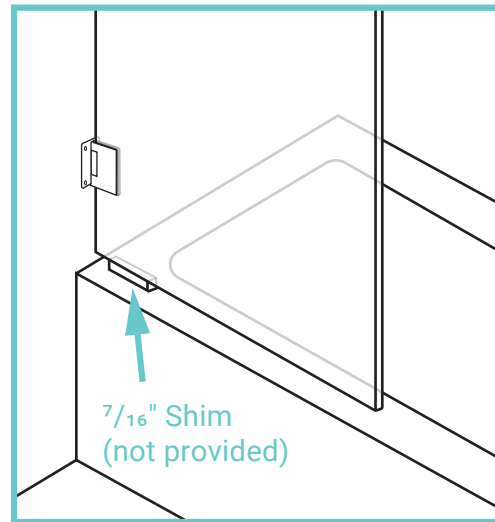
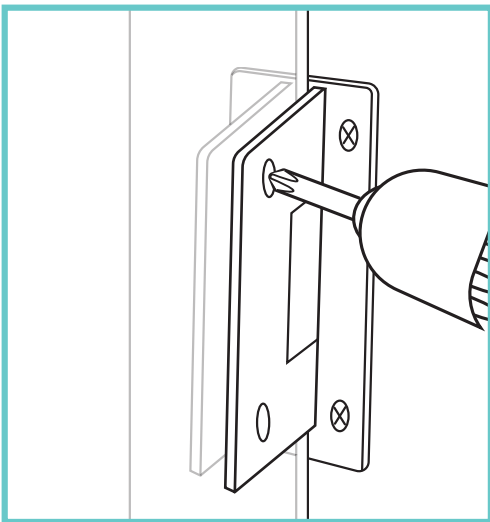
- Attach top and bottom hinges (C) to the glass panel (A) using the provided hinge screws.
NOTE: The exposed screws should be facing inward toward the tub. The smooth hinge plate will be facing outward toward the bathroom for a seamless design.
- Mount the glass (A) on top of the tub ledge with a $\frac{7}{16}$ " gap between the bathtub ledge and the bottom of the glass.
- Mark pilot holes in the wall at the pre-drilled holes on the hinges.
- Remove the door from the tub and remove the hinges from the door.
- Drill the pre-marked pilot holes and insert the plastic anchors (E). It is suggested to use a rubber mallet to avoid damaging existing tiles (if applicable).
- Mount the hinges (C) by first attaching the hinge frame at the pilot holes using the 50mm screws (D).





2 Install Glass Panel

- Mount the glass again using your $\frac{7}{16}$ " support to hold the glass panel in position before inserting it into the hinges.
- After the glass panel (A) is aligned with the mounted hinge frame (C), begin to attach the inside hinge plate using the provide hinge screws.



3 Attach Handle and Waterproofing Strip

- Screw the door handle (B) into the pre-cut hole.
- Attach the waterproofing strip (H) to the bottom of the glass and gently tap into place to ensure glass is fully inserted into the plastic channel.

ONE-YEAR LIMITED WARRANTY

Swiss Madison® products are made with quality materials and excellent craftsmanship to provide our customers with beautiful, durable, long-lasting products. Should there be any defects in materials or craftsmanship under regular use that are discovered within the first year after delivery, Swiss Madison® will provide replacement parts at no charge, or at its discretion, replace any product or part of the product that is deemed defective, under normal installation, use, service or maintenance. This warranty applies only to the original purchaser. Proof of purchase must be submitted with any warranty claim.

Swiss Madison® recommends that all installations of Swiss Madison® products to be conducted by a licensed plumber or contractor. Swiss Madison® will not be held responsible for any damage or product failure due to improper installation, misuse, or failure to utilize a licensed plumber or contractor for installation. Swiss Madison® is not responsible for any installation or removal costs.

THIS ONE-YEAR LIMITED WARRANTY WILL BE VOIDED IF:

- The installation instructions were not followed by the installer
- The product has been moved from its initial place of installation
- The product has in any way been modified from its original condition
- The product has been subjected to improper maintenance, abuse, misuse, excessive use of chemicals, accidents, or other damages

Swiss Madison® makes no warranty that its products comply with any local building or plumbing codes. It is the consumer's responsibility and obligation to determine local code compliance prior to and during installation.

Swiss Madison® is not responsible for any special, incidental or consequential damages associated with the installation, replacement, return or use of the original purchaser's product. This includes, but is not limited to: freight costs, labor, travel time, lost profit, home damages and other contingent liabilities and costs (including, without limitation, costs associated with 'professionals' or 'experts', investigations, audits, analyses, attorneys and any other professional/hired services). Some states do not allow the exclusion or limitation of incidental or consequential damages, so the above limitation or exclusion may not apply to you.

The Swiss Madison® warranty is a comprehensive and explicit limit of liability. All other warranties are hereby disclaimed and waived.

QUESTIONS OR CONCERNS? Please contact us directly at: 1-434-MADISON (623-4766)



WARNING:

Contents of your order may contain sharp and possibly other harmful pieces and may cause hazard to children and adults. Swiss Madison® is not responsible in any way for personal injuries or damages.