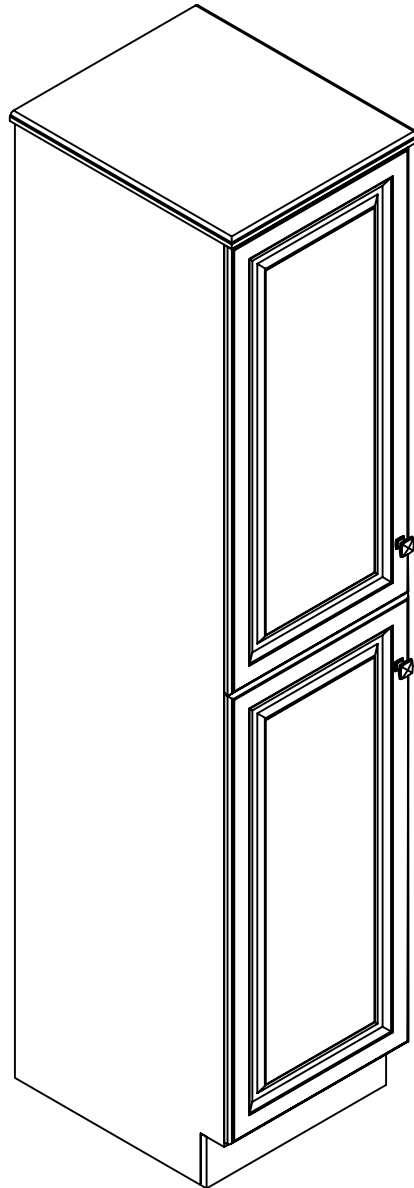




www.todaysdesignhouse.com

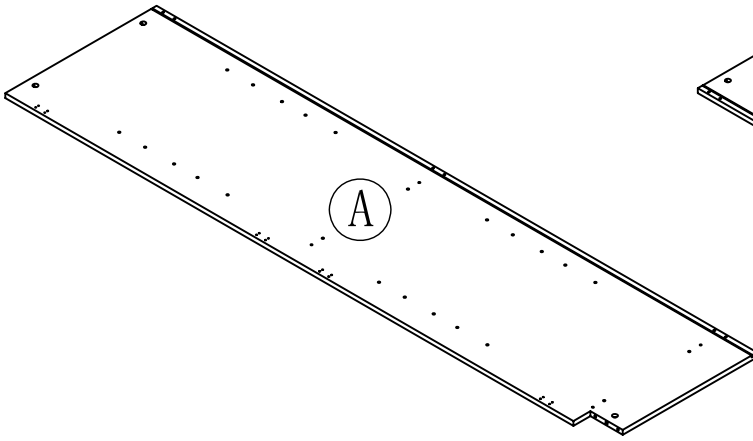


597302

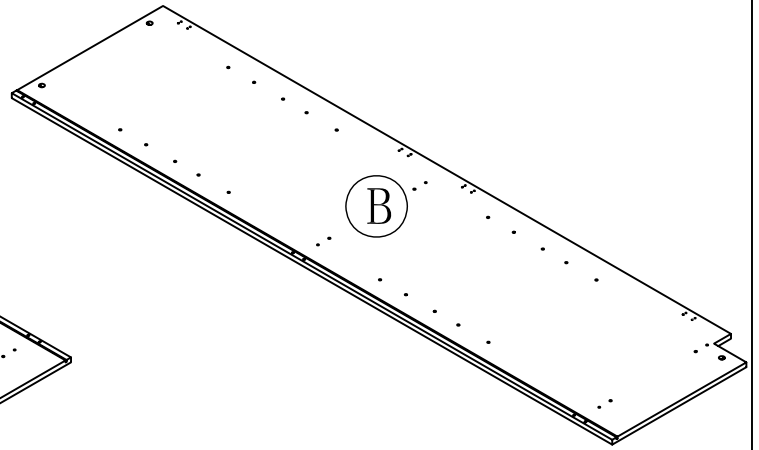
ASSEMBLY INSTRUCTIONS

DHI Corp. • 5205 W. Donges Bay Rd. • Mequon, WI 53092 • 800.558.8700

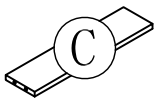
PARTS LIST:



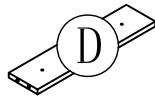
LEFT SIDE PANEL 1PC



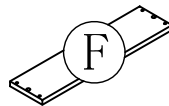
RIGHT SIDE PANEL 1PC



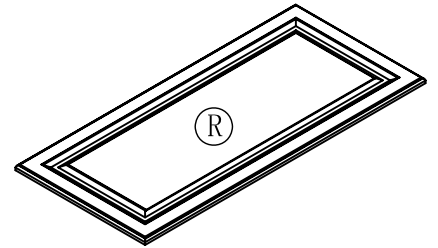
BACK UP CROSS
BRACE 1PC



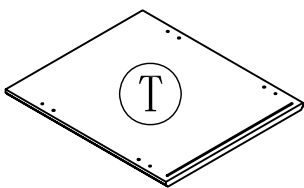
BACK DOWN CROSS
BRACE 2PCS



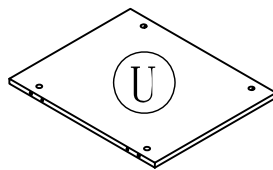
TOE KICK PANEL 1PC



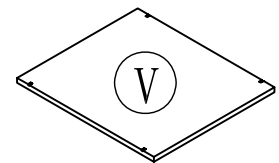
DOOR 2PCS



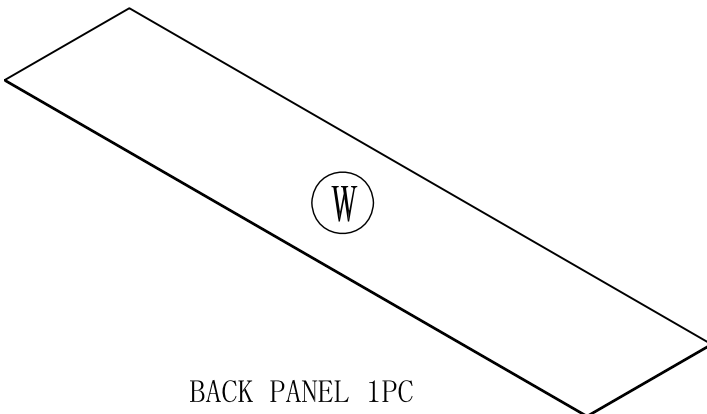
TOP PANEL 1PC



FIXED PANEL 2PCS



ADJUSTABLE PANEL 2PCS

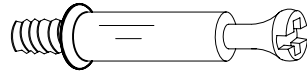


BACK PANEL 1PC

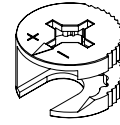
HARDWARE LIST:



a. WOOD DOWEL 16PCS



b. CAM LOCK SCREW
26PCS



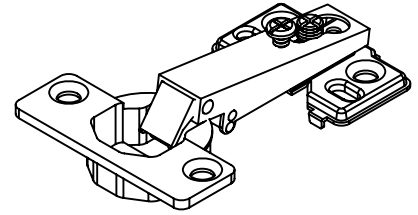
c. CAM LOCK 26PCS



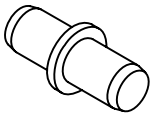
e. 1-1/2" L WOOD
SCREW 4PCS



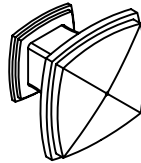
f. 5/8" L FLAT HEAD
SCREW 24PCS



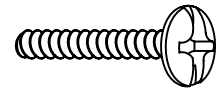
h. HINGE 4PCS



k. PIN 8PCS



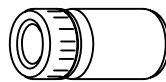
l. KNOB 2PCS



n. KNOB BOLT 2PCS



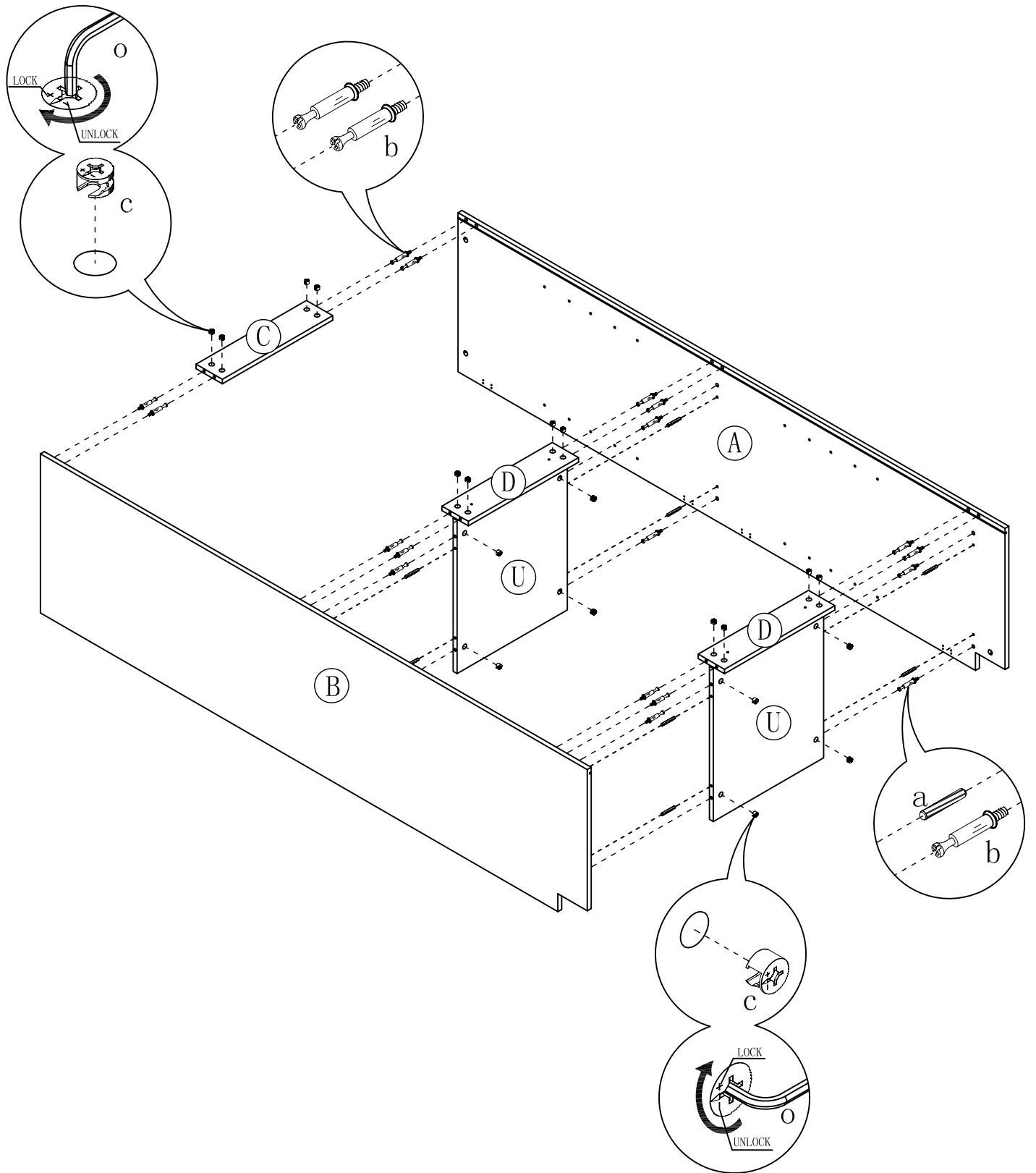
o. WRENCH 1PC



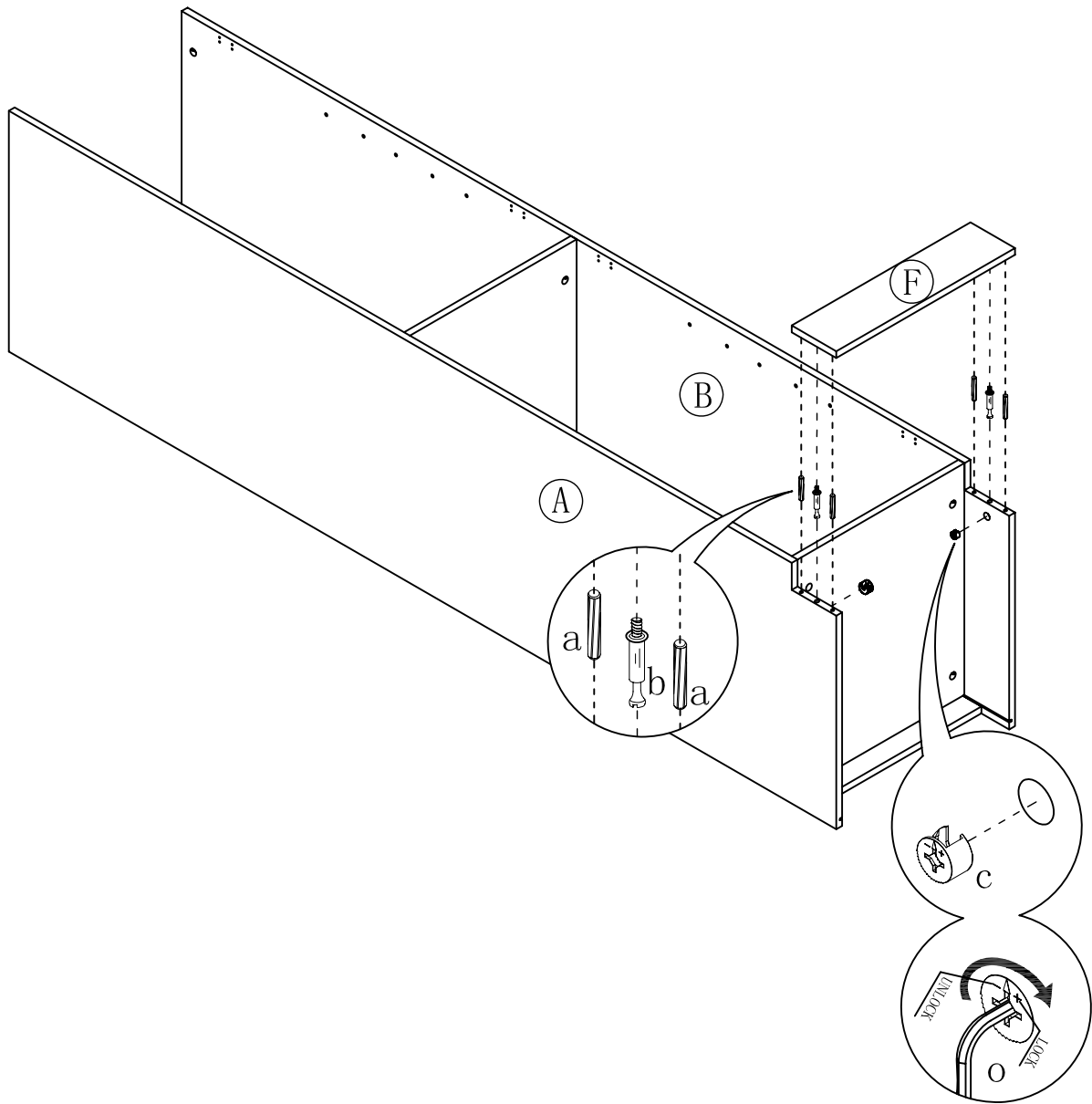
p. GLUE 1PC

1	2	3	4	5
x2	x1	x1	x1	x1
RECTANGLE METAL PLATE	1/2" L FLAT HEAD SCREW	PLASTIC ANCHOR	PLASTIC BAND	1-1/2" L FLAT HEAD SCREW
ANTI-TIPPING HARDWARE PACKAGE				

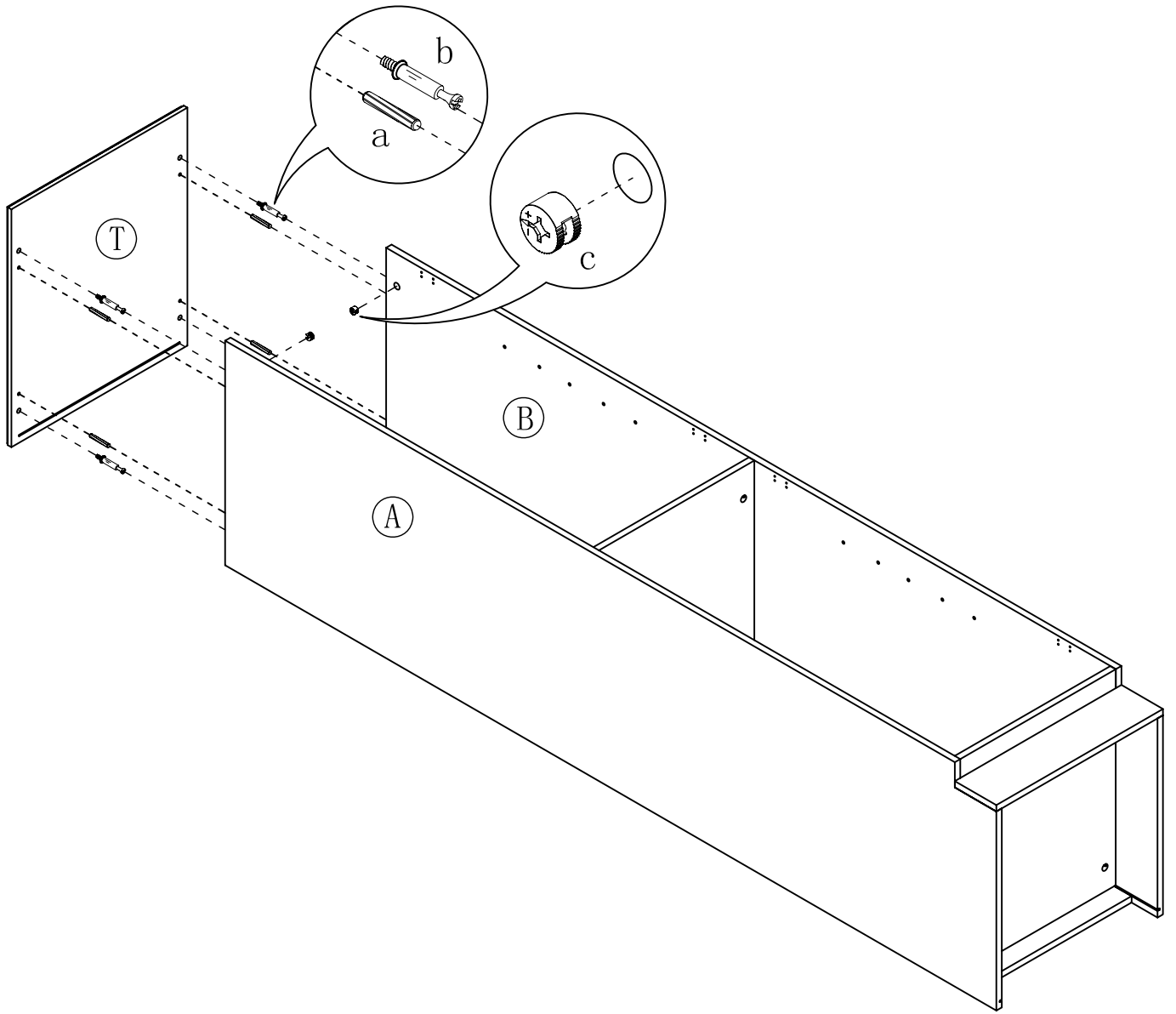
STEP 1



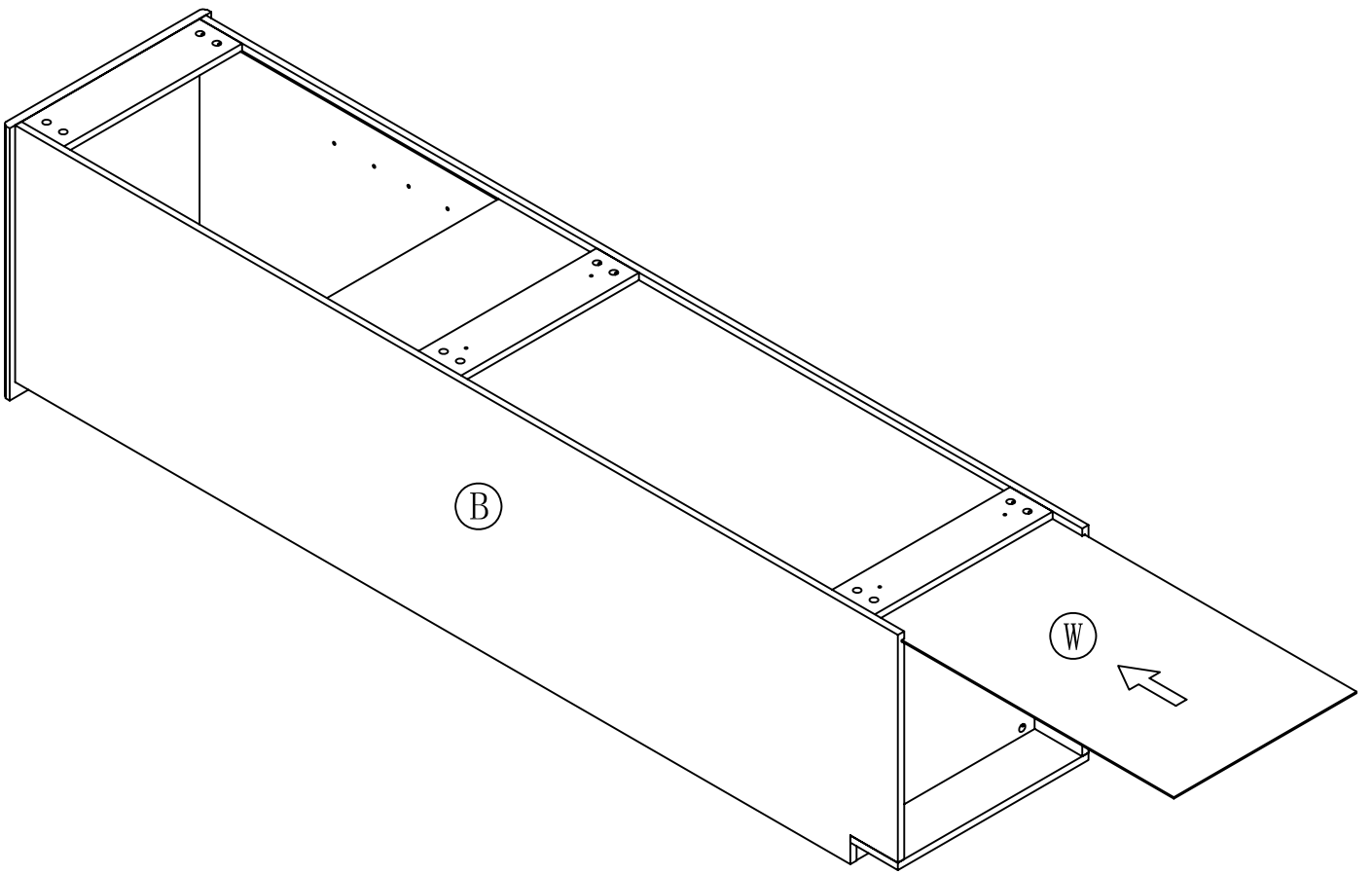
STEP 2



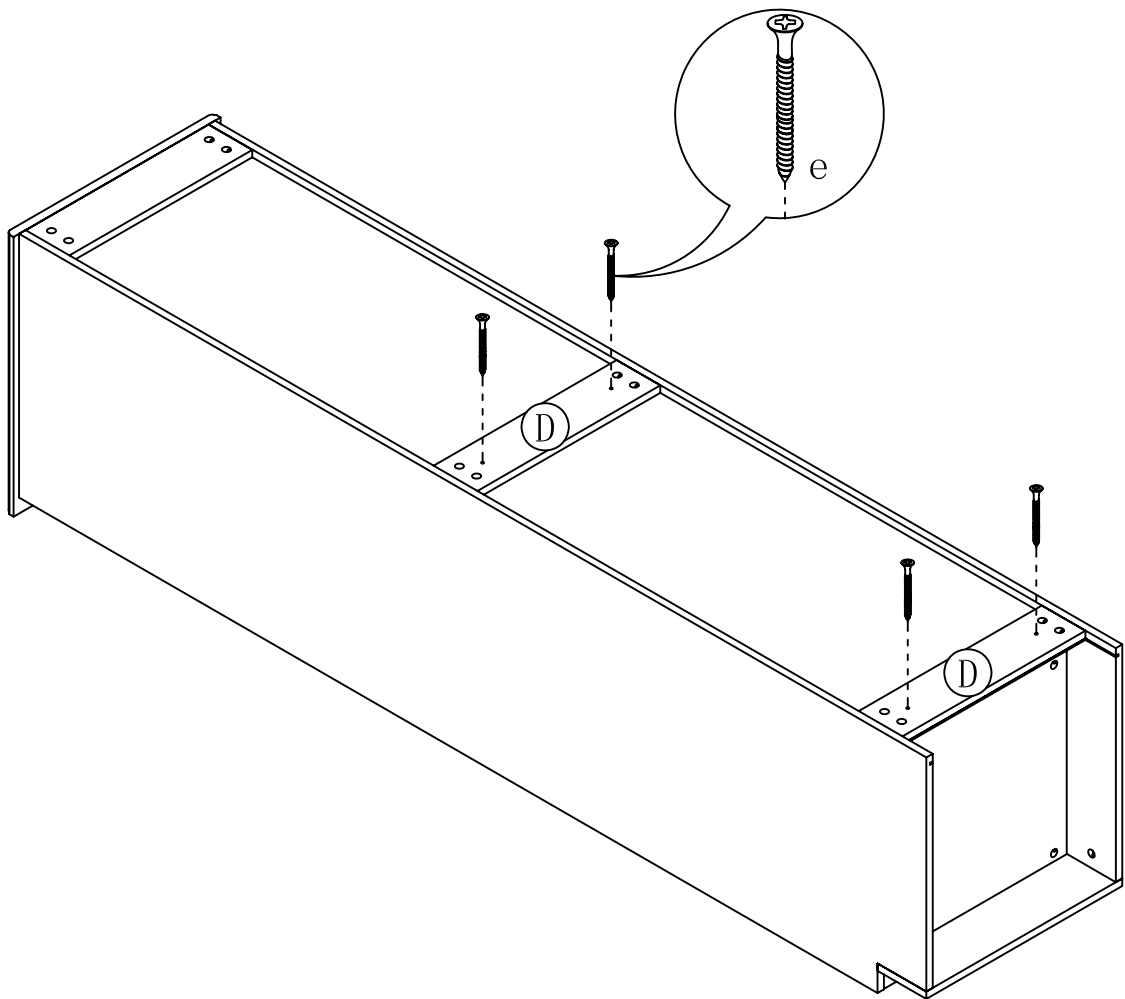
STEP 3



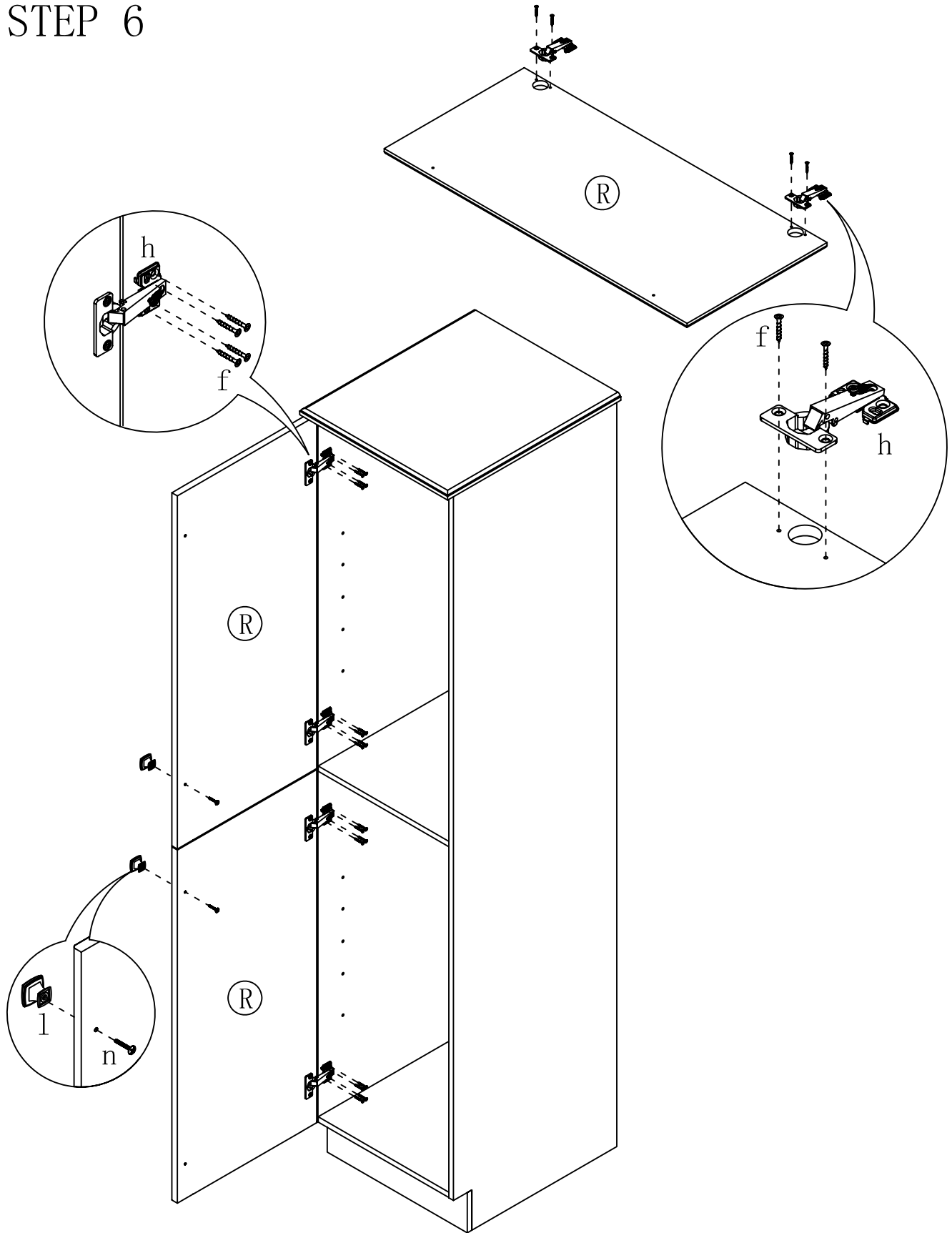
STEP 4



STEP 5

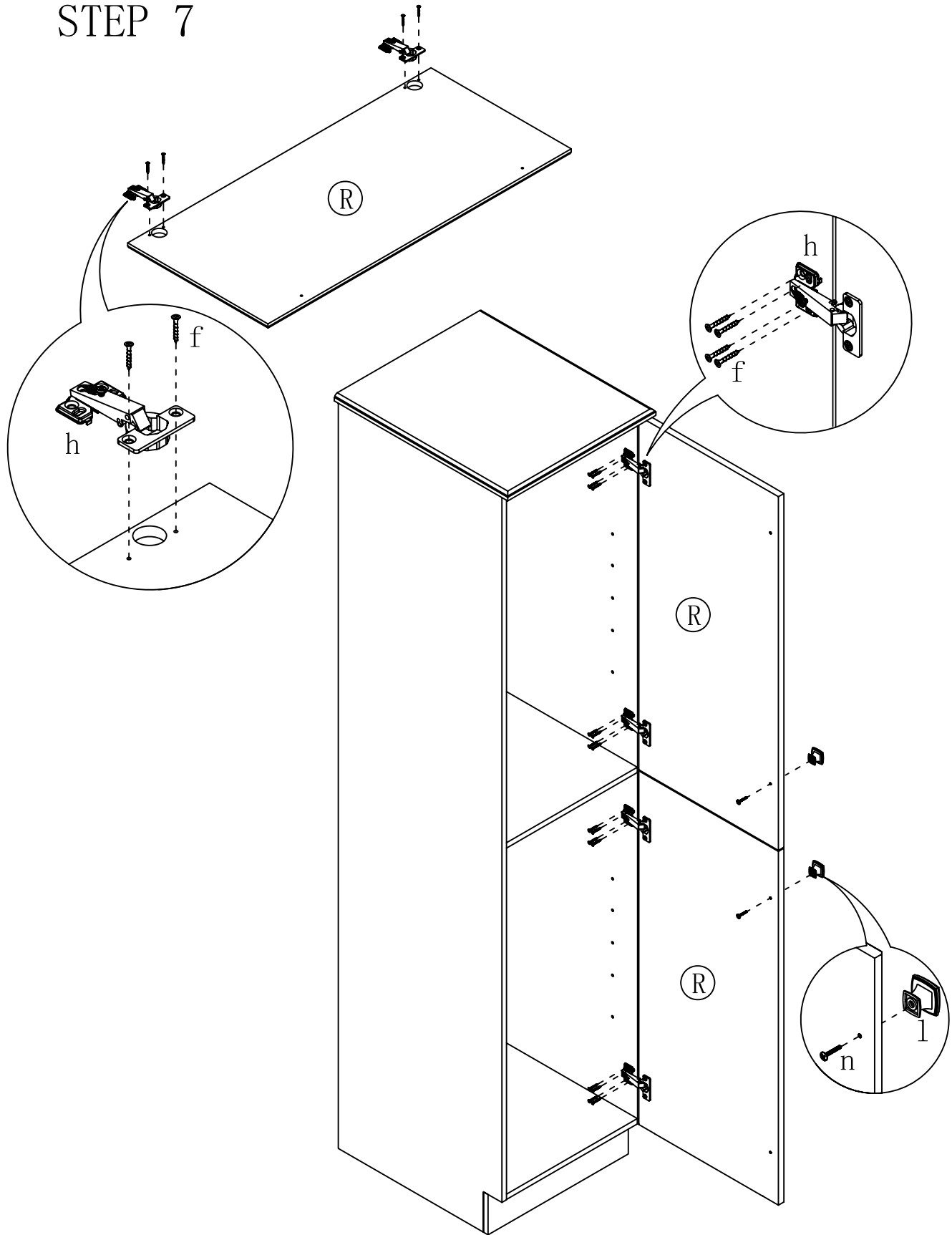


STEP 6



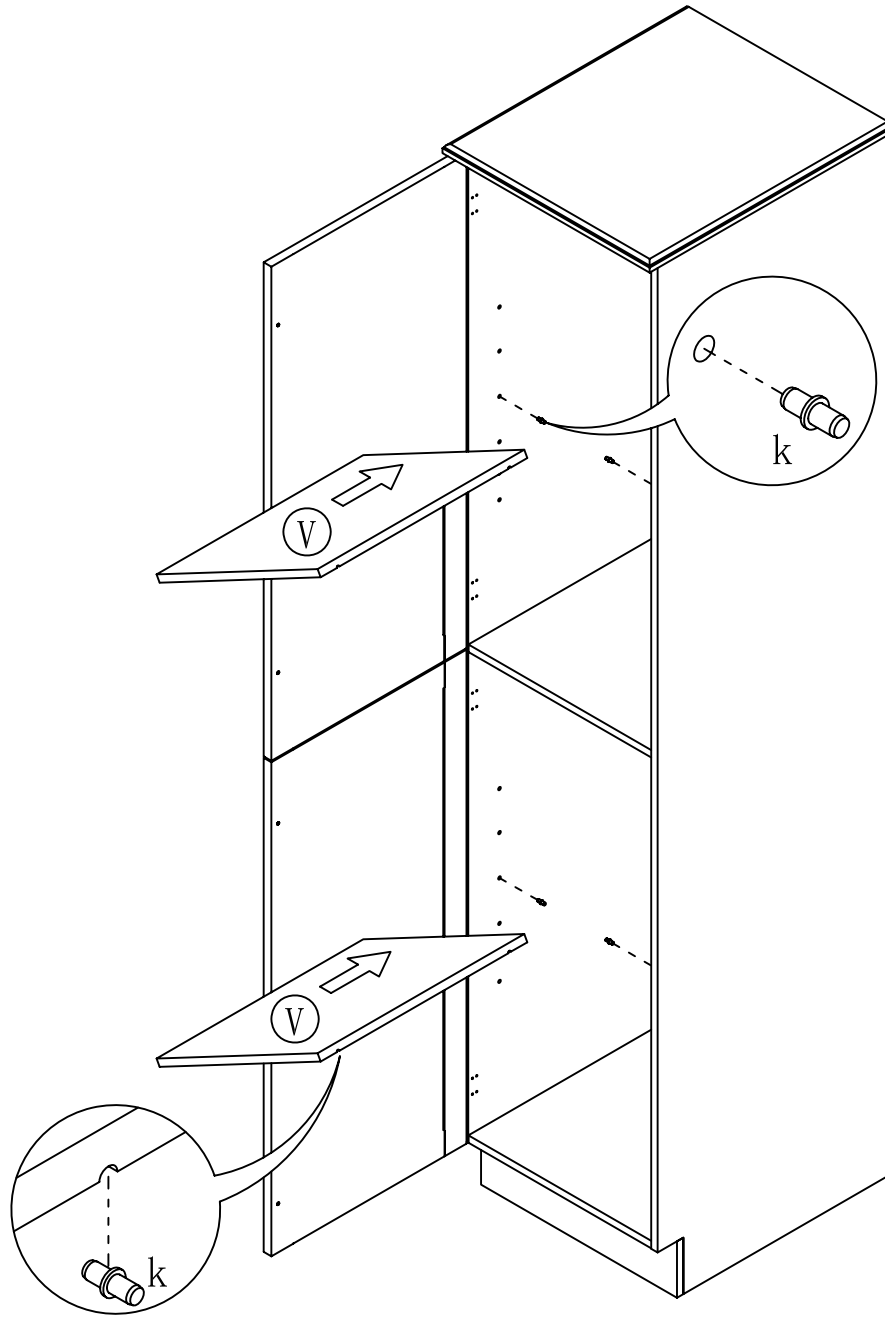
PLEASE FOLLOW STEP6 IF YOU
WOULD LIKE THE DOOR OPEN
FROM THE LEFT

STEP 7

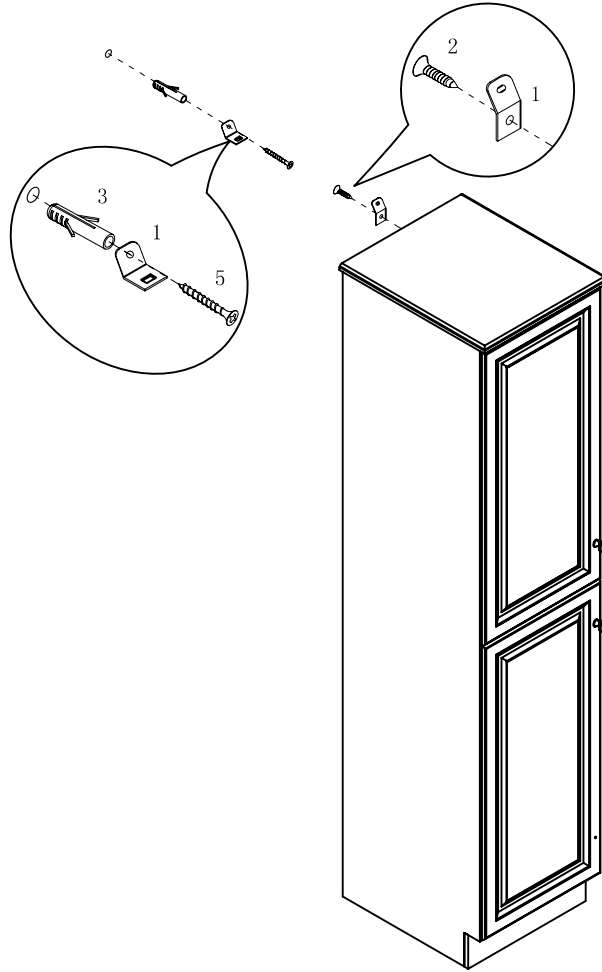


PLEASE FOLLOW STEP7 IF YOU
WOULD LIKE THE DOOR OPEN
FROM THE RIGHT

STEP 8



STEP 9



STEP 10

