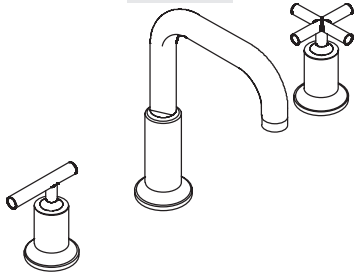


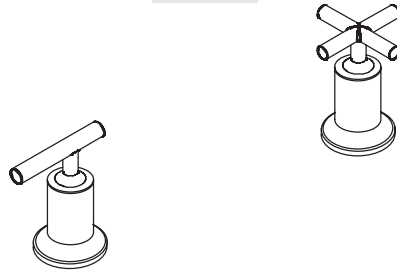
Installation Guide

Bath/Deck Mount Faucet

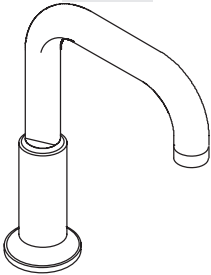
K-T14428



K-T14429



K-14430



M product numbers are for Mexico (i.e. K-12345**M**)
Los números de productos seguidos de
M corresponden a México (Ej.
K-12345**M**)
Français, page "Français-1"
Español, página "Español-1"

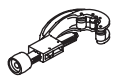
1016271-2-C

THE BOLD LOOK
OF **KOHLER**®

Tools and Materials



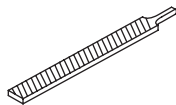
Adjustable
Wrench



Tube Cutter



Plumbers
Putty



File

Plus:
• Rag



Hex
Wrench



Tape
Measure



Assorted
Screwdrivers

Thank You For Choosing Kohler Company

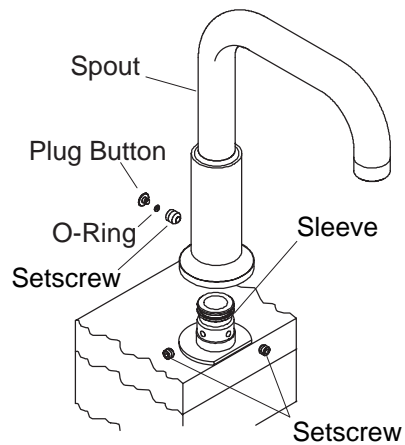
We appreciate your commitment to Kohler quality. Please take a few minutes to review this manual before you start installation. If you encounter any installation or performance problems, please don't hesitate to contact us. Our phone numbers and website are listed on the back cover. Thanks again for choosing Kohler Company.

Before You Begin

- Please read all instructions before you begin.
- Shut off the water supply.
- Observe all local plumbing and building codes.

- The valve is sold separately. Please read the instructions packed with the valve for installation procedures.
- Complete the finished deck material before installing.
- Before installation, unpack the new faucet trim and inspect it for damage. Return it to the carton until installation.

- Kohler Co. reserves the right to make revisions in the design of faucets without notice, as specified in the Price Book.



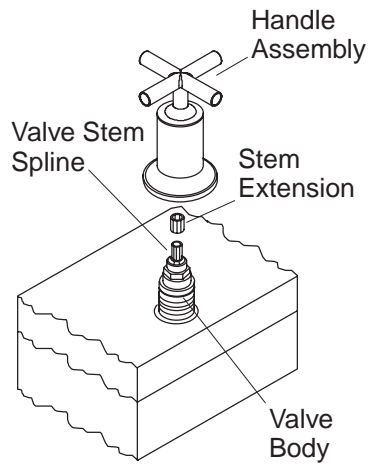
1. Install Spout



CAUTION: Risk of product damage. Use care when installing the spout assembly to prevent damage to the O-ring seal.

NOTE: If your installation is on a tile-covered rough deck, slide a brass washer, flat side facing forward, onto the supply tube. The brass washer is supplied with the spout. This washer is not needed for rim/finished deck installations.

- Wrap a towel around the pipe plug and carefully remove it.
- Remove the plaster guard from the spout supply tube.
- Cut off the spout supply tube 1-1/4" (3.2 cm) above the rim, finished deck or tile.
- Remove all burrs from the supply tube.
- Loosen the setscrews in the sleeve.
- Using a twisting motion, install the sleeve on the spout supply tube until it contacts the deck or washer.
- Align the sleeve with the setscrews offset from the center (not facing directly forward or backward) of the supply tube.
- Tighten the setscrews.
- Position the spout on the sleeve, and carefully press down until the spout contacts the finished deck.
- Align the spout as desired, and tighten the setscrew.
- Insert the plug button (if included) over the setscrew, flush with the spout surface.



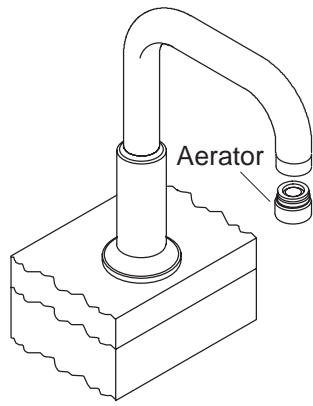
2. Install Handles

NOTE: There are different handle styles available for this product. Only one style of handle is shown. Installation of all handle styles is identical.

- Remove the plaster guards.
- Close the valves (hot = clockwise, cold = counterclockwise).
- Install a stem extension onto each valve stem spline. Make sure that the splines are engaged.
- Thread a handle assembly onto each valve body. Make sure the splines in the handle and stem extension are engaged.

NOTE: The spline adapter allows fine adjustment of the handle alignment. To adjust, remove the handle and reposition the spline adapter.

- Reinstall the handle and check the alignment. Repeat until the handle alignment is satisfactory.



3. Complete the Installation

- Turn off the water (hot = clockwise, cold = counterclockwise).
- Remove the aerator assembly.
- Turn on the main water supply and check for leaks.
- Turn on the hot and cold valves and run water through the spout to remove debris. Check for leaks.
- Turn off the hot and cold valves.
- Remove any debris from the aerator.
- Reinstall the aerator assembly.