

# SPEAKMAN®

SLV-24030

## Installation, Operation & Maintenance Instructions

KUBOS™ COLLECTION COMBINATION SERIES

### DESCRIPTION

Speakman Kubos™ Collection Combination Series, SLV-24030 includes: Trim (CPT-24000), Shower Arm with Wall Flange (S-2560), Multi Function Shower Head (S-3021) and Diverter Tub Spout (S-1569). This combination does not include the Shower Valve.

#### **PB**

This combination should be installed with one of the following Speakman Sentinel Mark II® Pressure Balance Shower Valves

- CPV-PB:** Pressure Balance Shower Valve  
Sweat & Thread Connections
- CPV-PB-PXC:** Pressure Balance Shower Valve  
PEX F1807 Crimp Inlet Connections
- CPV-PB-PXE:** Pressure Balance Shower Valve  
PEX F1960 Cold-Expansion Inlet Connections

#### **T**

This combination should be installed with one of the following Speakman Sentinel Mark II® Thermostatic Shower Valves

- CPV-T:** Thermostatic Shower Valve  
Sweat & Thread Connections
- CPV-T-PXC:** Thermostatic Shower Valve  
PEX F1807 Crimp Inlet Connections
- CPV-T-PXE:** Thermostatic Shower Valve  
PEX F1960 Cold-Expansion Inlet Connections

### SPECIFICATIONS

#### **CPT-24000 KUBOS™ COLLECTION SHOWER VALVE TRIM:**

COMPLIANCE: ASME A112.18.1 / CSA B125.1 Standard

#### **S-2560 KUBOS™ COLLECTION SHOWER ARM WITH WALL FLANGE:**

CONNECTIONS: ½" NPT Male Inlet & Outlet

#### **S-3021 KUBOS™ COLLECTION MULTI FUNCTION SHOWER HEAD:**

CONNECTIONS: ½" NPT Female Inlet

FLOW RATE: 2.5 gpm (9.5 L/min)

COMPLIANCE: ASME A112.18.1 / CSA B125.1 Standard

#### **S-1569 KUBOS™ COLLECTION DIVERTER TUB SPOUT:**

CONNECTIONS: ½" Copper Slip-fit

COMPLIANCE: ASME A112.18.1 / CSA B125.1 Standard

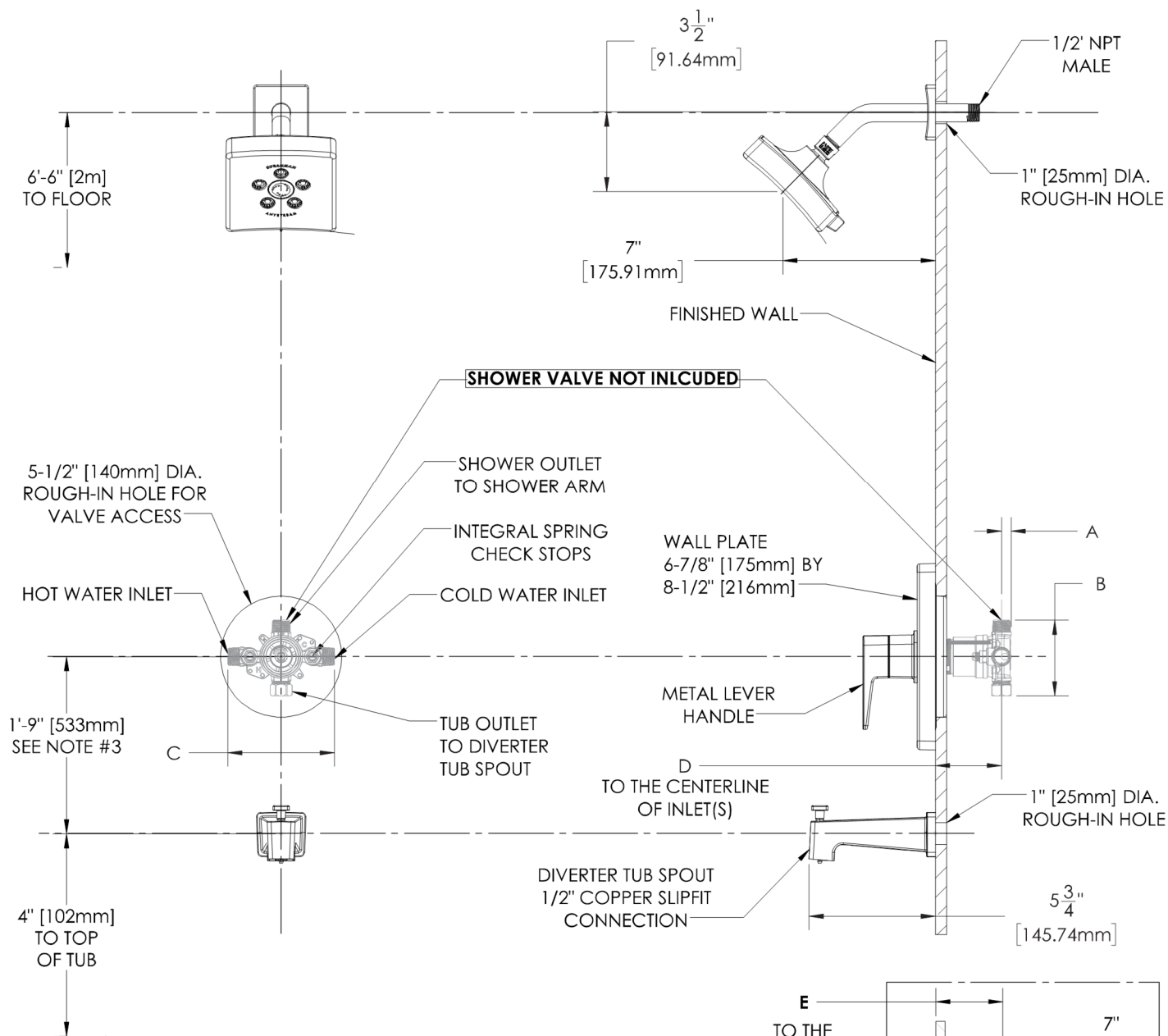
### INSTRUCTIONS

See individual products for installation of the components and warranty information.

## SPEAKMAN®

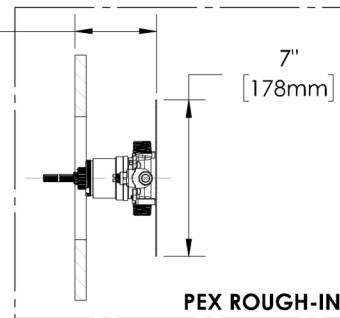
Phone: 800-537-2107 Fax: 800-977-2747  
12/13/18 www.speakman.com 92C-SLV-24030-01

# ROUGH-IN



**NOTES:**

1. ALL DIMENSIONS ARE IN INCHES [MILLIMETERS] UNLESS OTHERWISE SPECIFIED AND ARE SUBJECT TO CHANGE WITHOUT NOTICE.
2. ALL INLETS AND OUTLETS ARE 1/2" FEMALE COPPER SWEAT AND 1/2" MALE NPT UNLESS OTHERWISE SPECIFIED.
3. FOR ADA MOUNTING LOCATIONS CONSULT ADAAG, ANSI A117.1, OR STATE REGULATIONS.



DIMENSION	CPV-PB	CPV-T	CPV-PB-PXC	CPV-PB-PXE	CPV-T-PXC	CPV-T-PXE
A	7/16" (11mm)	1/2" (12mm)	7/16" (11mm)		1/2" (12mm)	
B	3-5/16" (84mm)	3-1/2" (89mm)	3-5/16" (84mm)		3-1/2" (89mm)	
C	4-13/16" (123mm)	5-7/8" (150mm)	4-13/16" (123mm)		5-7/8" (150mm)	
D	2-1/2" (63mm) MIN TO 3-1/2" (89mm) MAX					
E			3-1/8" (79mm) MIN TO 4-1/8" (105mm) MAX		3-3/16" (81mm) MIN TO 4-3/16" (106mm) MAX	

**SPEAKMAN®**