

**IMPORTANT**

Carefully remove all the parts from the carton and place them individually on a soft cloth to prevent scratches or other damage.

Carefully and strictly follow these assembly instructions to ensure a completed product as designed.

Do not use power tools above 8 volts to assemble.

**Part List**

**A. Top**  
1 pc.

**B. Side Panel**  
1 pc.

**C. Side Panel**  
1 pc.

**D. Rail**  
1 pc.

**E. Bottom**  
1 pc.














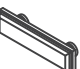
**F. Back Panel**  
1 pc.

**G. Foot**  
4 pcs.

**H. Drawer**  
1 pc.

Refer to later page(s) of these instructions for drawer assembly.

**Hardware List**

 <b>Cam Lock Screw</b> 10 pcs. (+2 extra)	 <b>Cam Lock</b> 10 pcs. (+2 extra)	 <b>M6x30 Head Cap Bolt</b> 8 pcs. (+1 extra)	 <b>Spring Washer</b> 8 pcs. (+1 extra)	 <b>Flat Washer</b> 8 pcs. (+1 extra)
 <b>Hex Wrench</b> 1 pc.	 <b>Small Hex Wrench</b> 1 pc.	 <b>M3x32 1 1/4" Round Head Screw</b> 2 pcs. (+1 extra)	 <b>M3x13 1/2" Round Head Screw</b> 12 pcs. (+1 extra)	 <b>M3x32 1 1/4" Flat Head Screw</b> 8 pcs. (+1 extra)
 <b>M3x19 3/4" Flat Head Screw</b> 4 pcs. (+1 extra)	 <b>Dowel</b> 8 pcs. (+1 extra)	 <b>5/32" x 1" Machine Screw</b> 2 pcs.	 <b>Handle</b> 1 pc.	

Tool(s) required for assembly: Phillips screwdriver, Level.

homestyles Customer Service: [www.homestylesfurniture.com](http://www.homestylesfurniture.com),  
servicedesk@homestylesfurniture.com, 888-680-7460

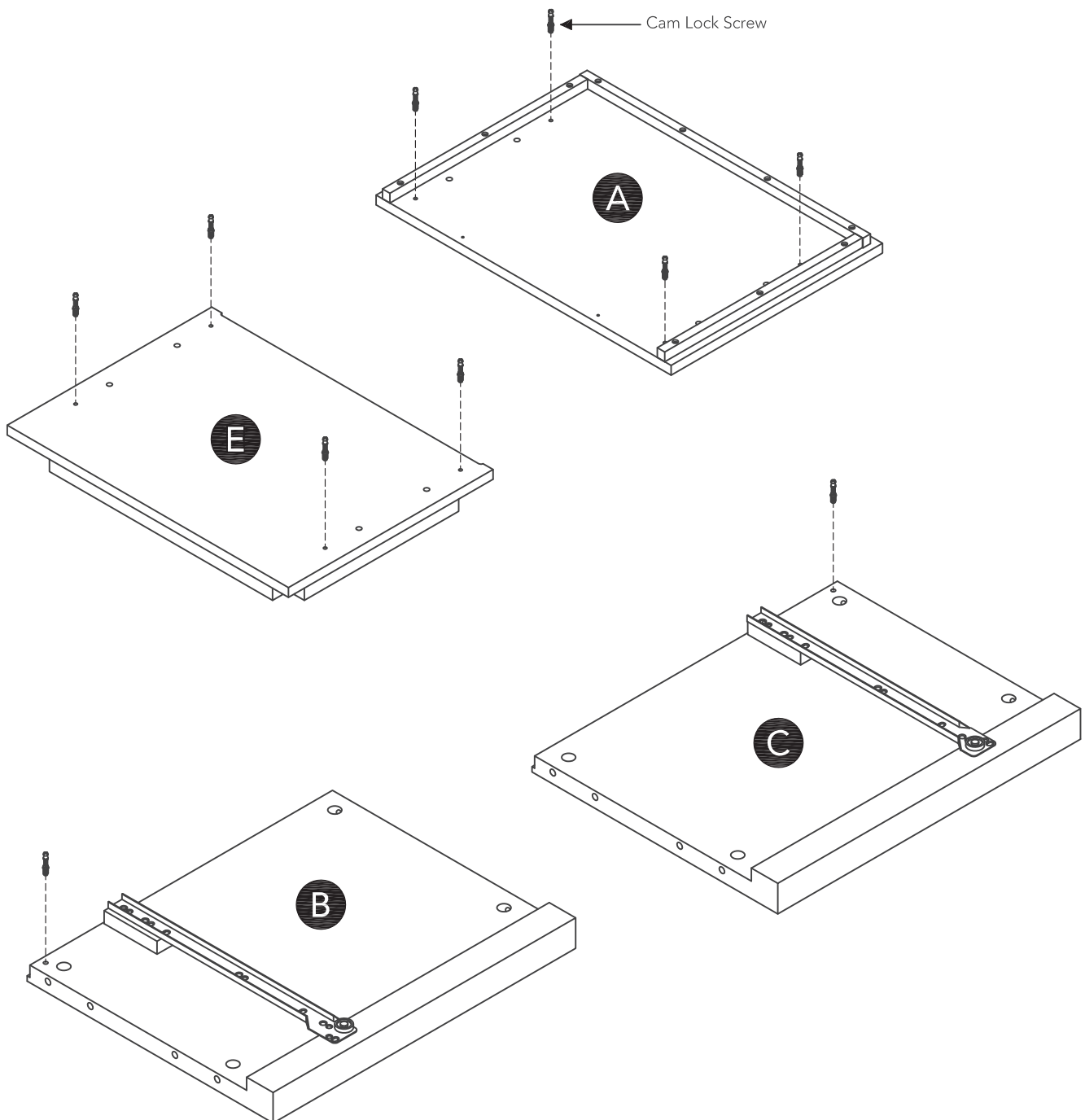
## Assembly Instructions 2/8

### IMPORTANT

- Use a soft cloth between these parts and the floor.
- Do not use power tools above 8 volts to assemble.
- Do not tighten all the screws until each part is properly assembled.
- The unit must be level to work properly. Use the included adjustable levelers to level.

### STEP 1

Insert Cam Lock Screws into pre-drilled holes in Top (A), Side Panels (B), (C) and Bottom (E), then tighten.



STEP 2

Attach Rail (D) to Side Panels (B) and (C) with Cam Locks.  
(See Figure 1)

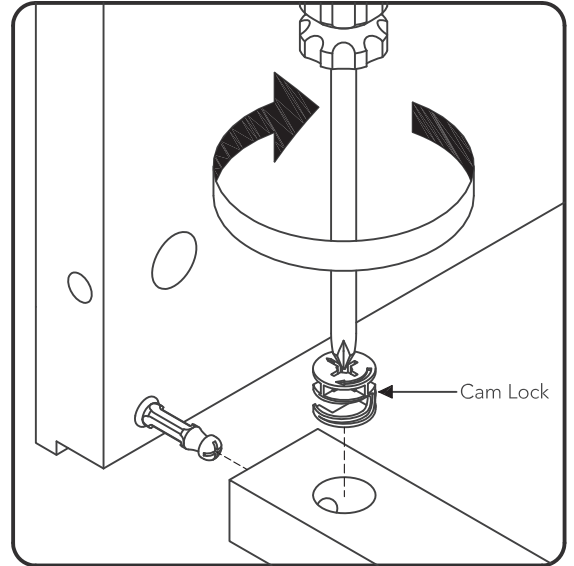
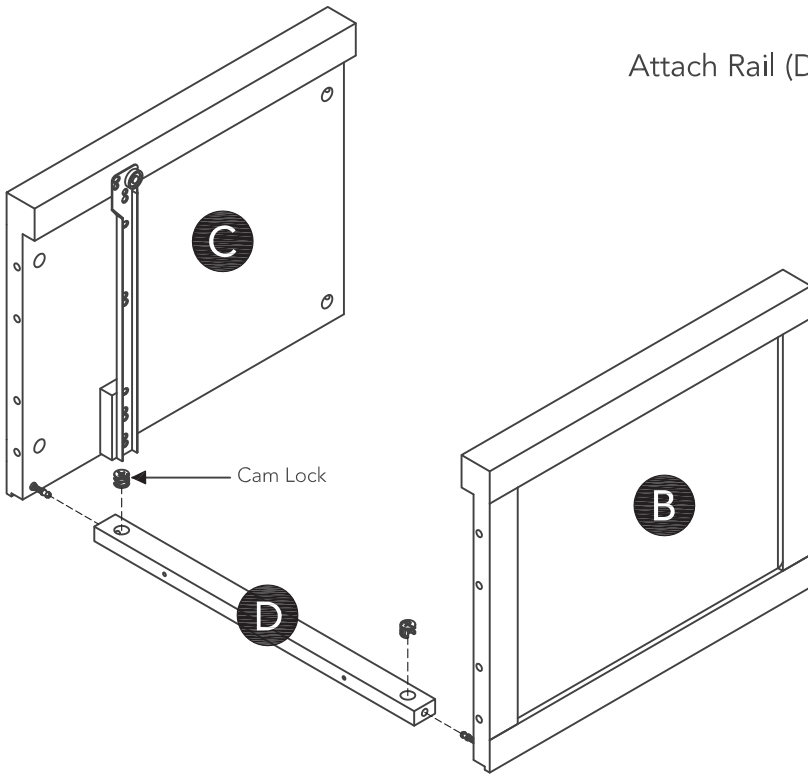
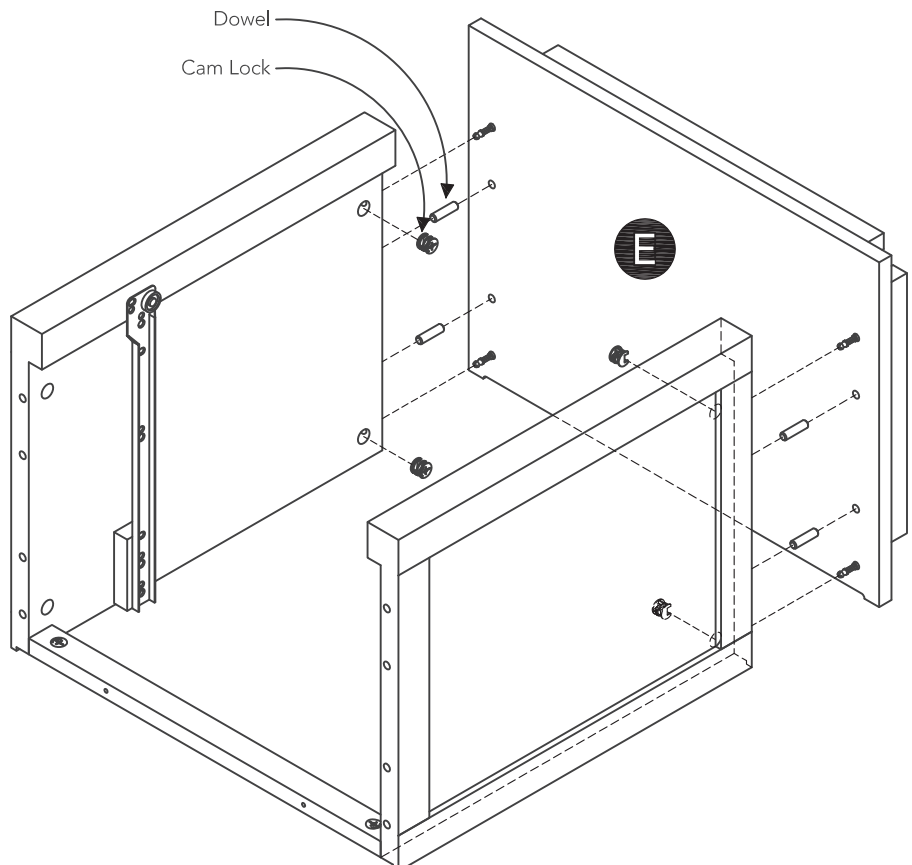


Figure 1



STEP 3

Attach Bottom (E) to unit with Dowels and Cam Locks.

# Assembly Instructions 4/8

## STEP 4

Attach Top (A) to unit with Dowels and Cam Locks.

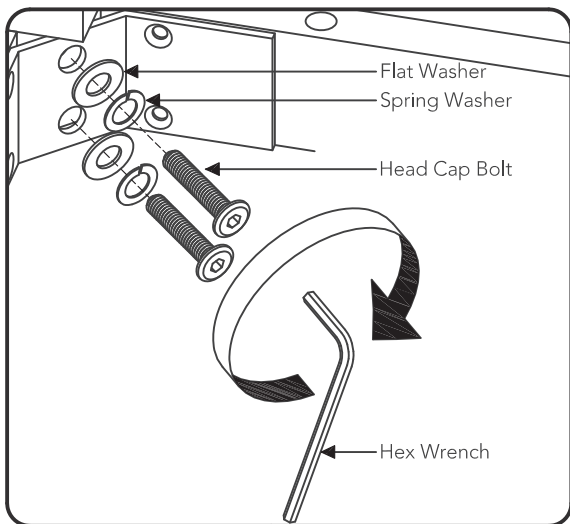
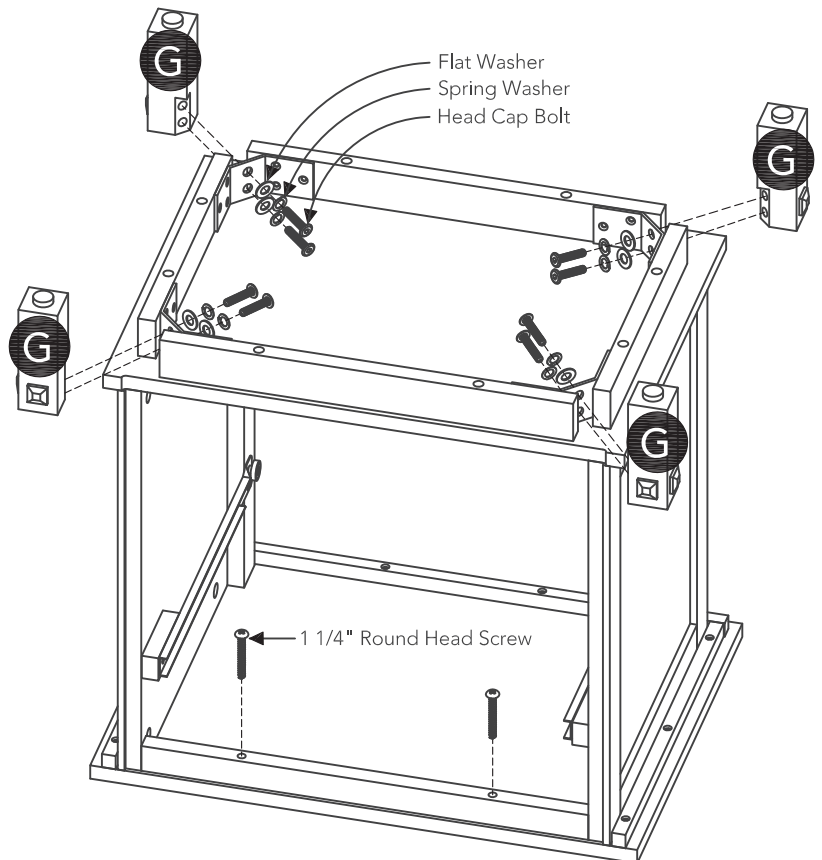
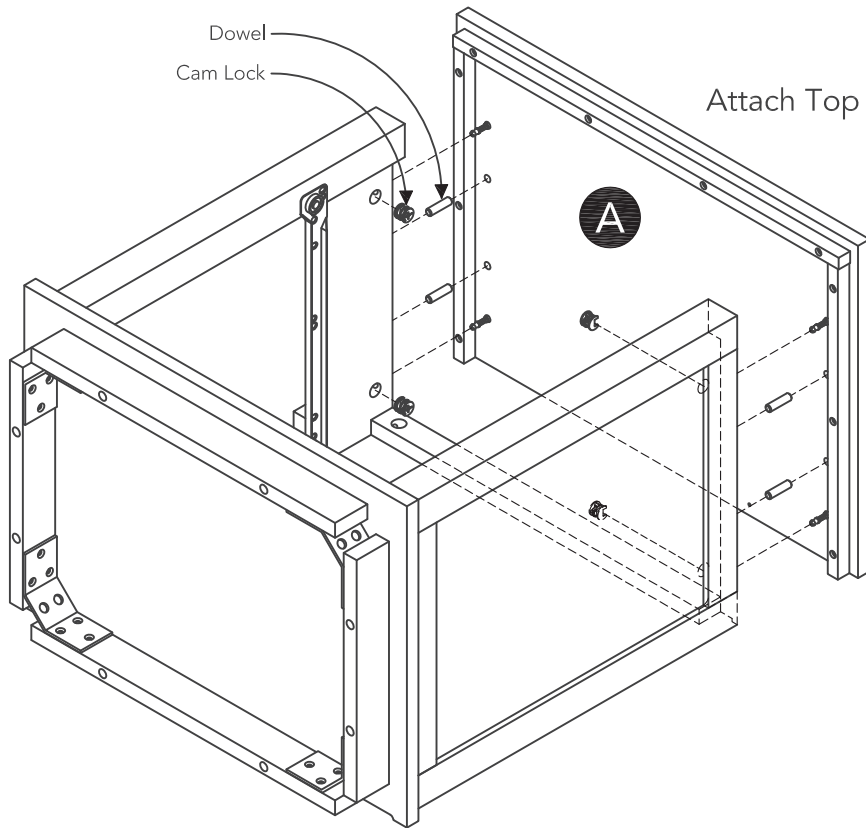


Figure 2

## STEP 5

Attach Feet (G) to unit with Head Cap Bolts, Spring Washers and Flat Washers.

Tighten Head Cap Bolts with Hex Wrench. (See Figure 2)

Attach 1 1/4" Round Head Screws to unit.

# Assembly Instructions 5/8

## STEP 6

Turn unit to its upright position.

Level unit by adjusting the adjustable levelers on bottom of unit. (See Figure 3)

Note: Unit must be level to proceed.

Attach Back Panel (F) to unit with 1/2" Round Head Screws. (See Figure 4)

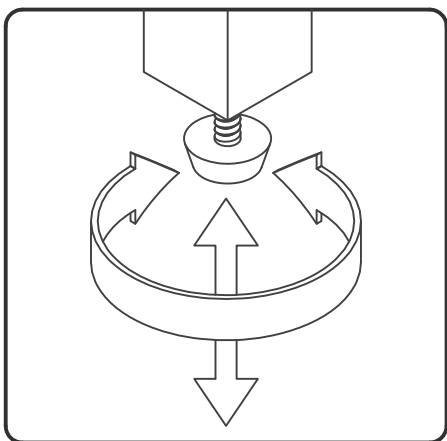
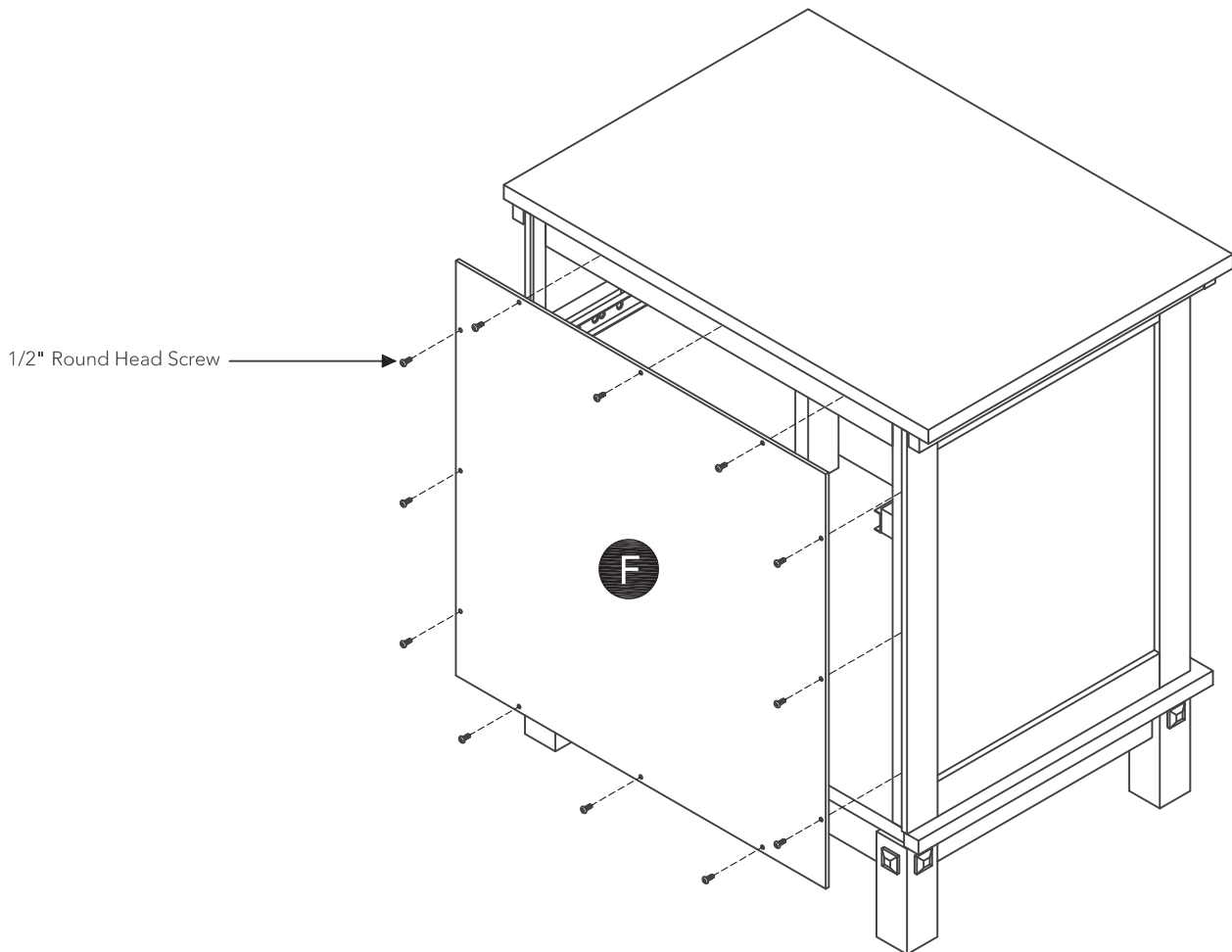


Figure 3

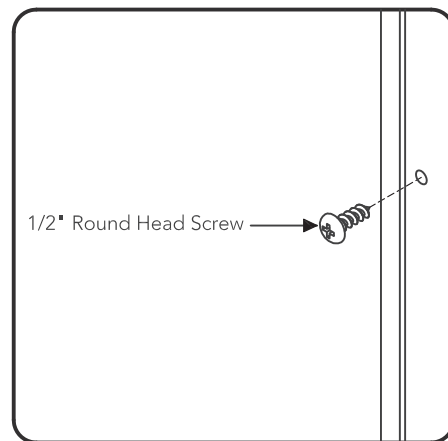
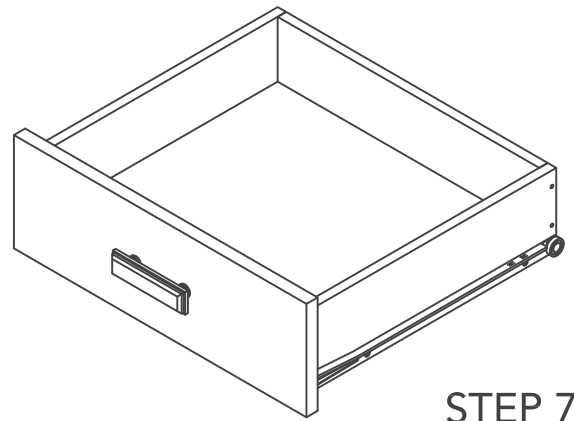
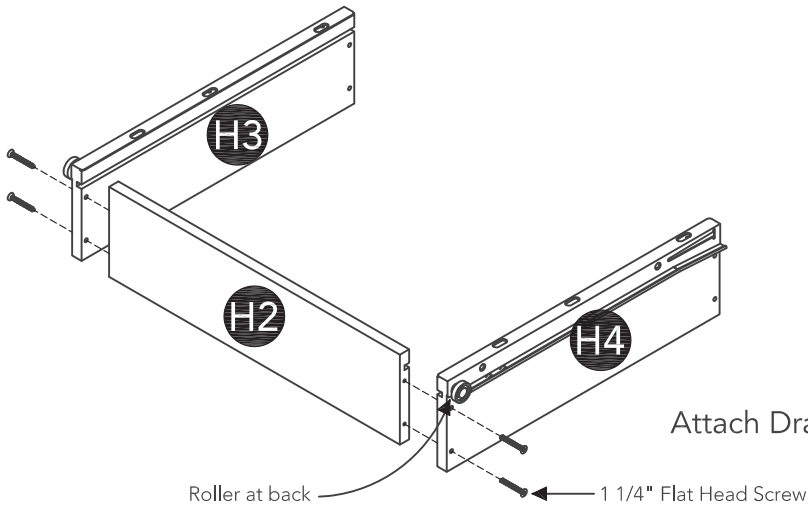


Figure 4

# Assembly Instructions 6/8

## Drawer (H)



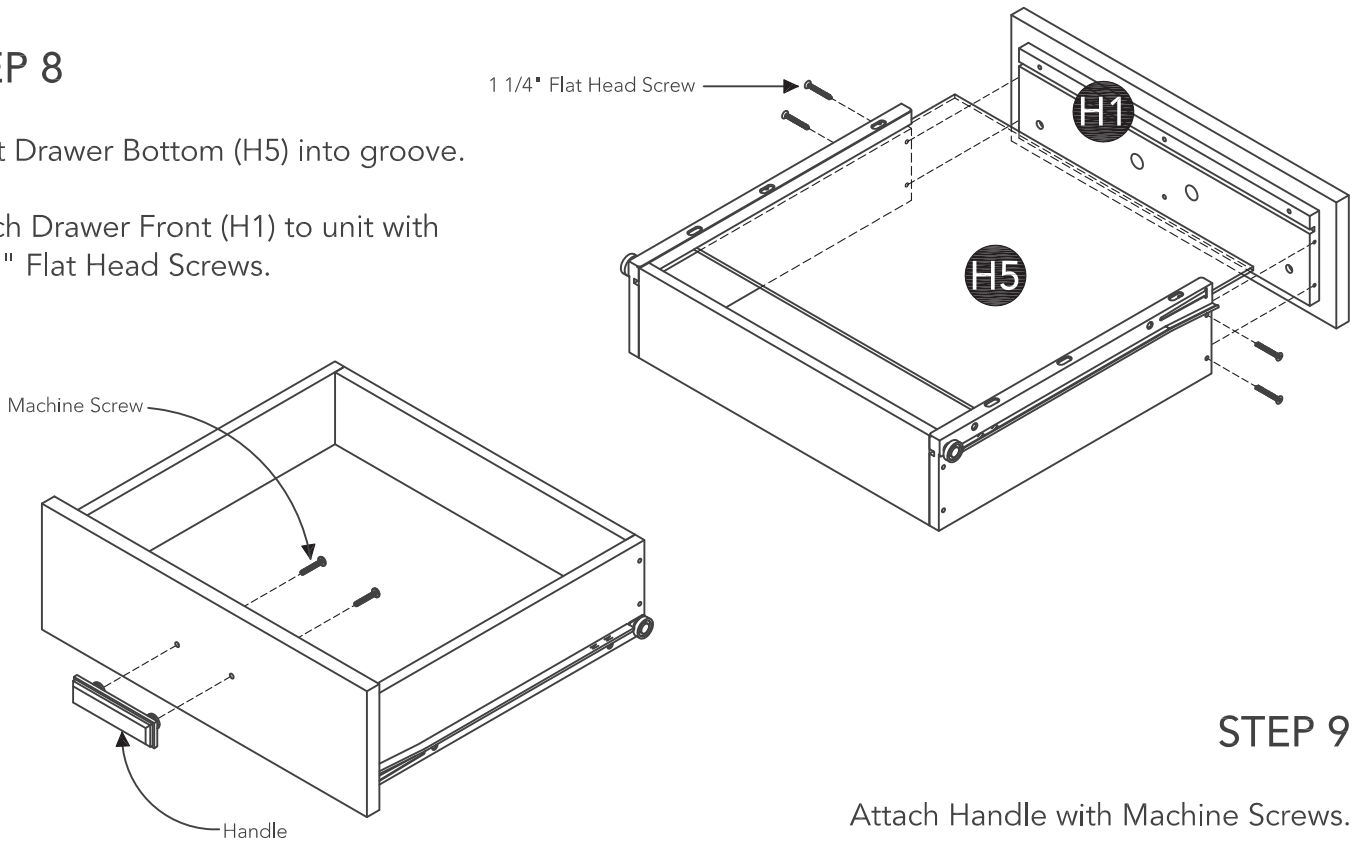
**STEP 7**

Attach Drawer Sides (H3) and (H4) to Drawer Back (H2) with 1 1/4" Flat Head Screws.

## STEP 8

Insert Drawer Bottom (H5) into groove.

Attach Drawer Front (H1) to unit with 1 1/4" Flat Head Screws.

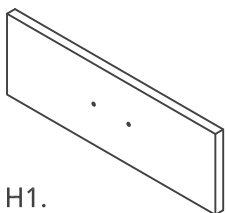


**STEP 9**

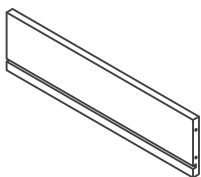
Attach Handle with Machine Screws.

Note: Drawer assembly is not complete until 3/4" Flat Head Screws are used in a later step.

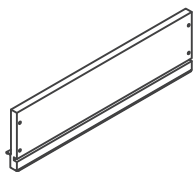
## Part List



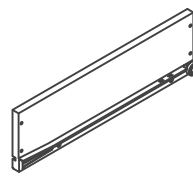
H1.  
Drawer Front  
1 pc.



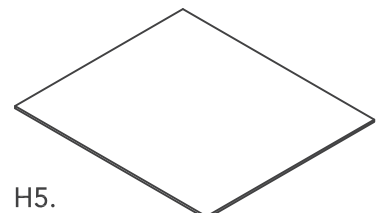
H2.  
Drawer Back  
1 pc.



H3.  
Drawer Side  
1 pc.



H4.  
Drawer Side  
1 pc.

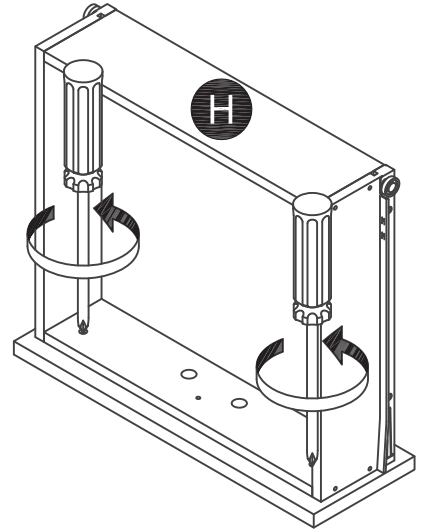
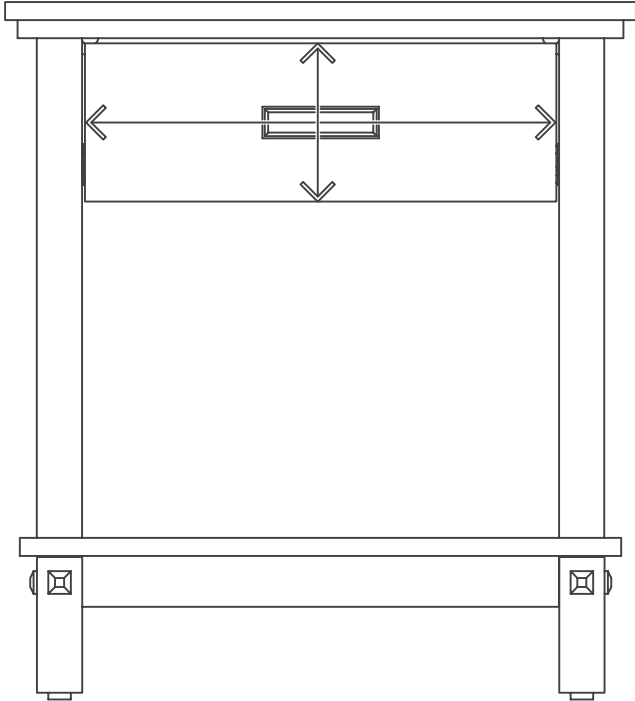


H5.  
Drawer Bottom  
1 pc.

## Assembly Instructions 7/8

### STEP 10

Loosen slightly screws pre-installed on back of drawer front.



### STEP 11

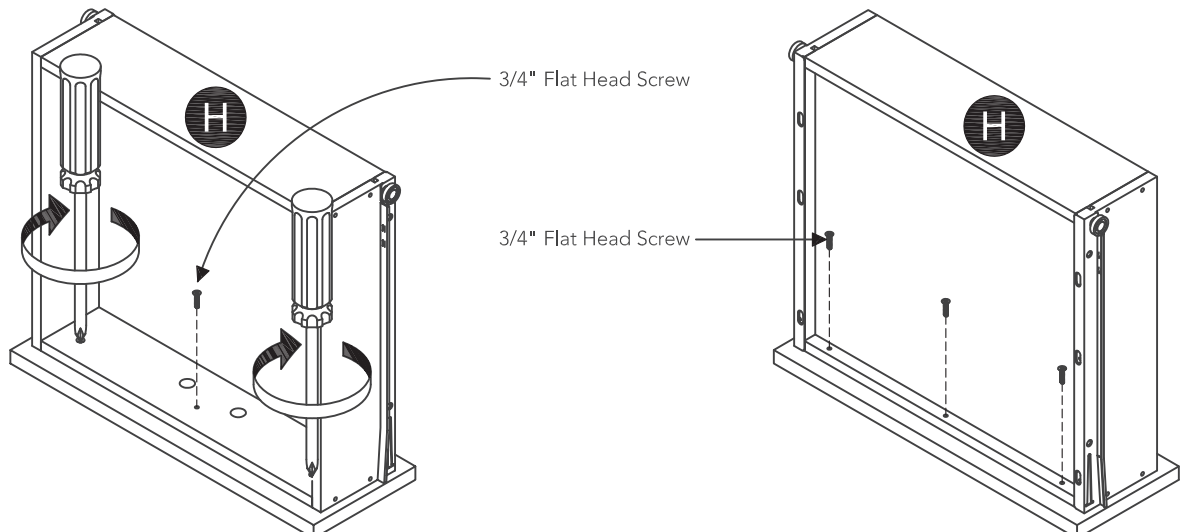
Insert drawer into unit, then adjust drawer front panel left or right and up or down until drawer gaps look proportional.

### STEP 12

Pull drawer open slowly, then re-tighten screws from Step 10.

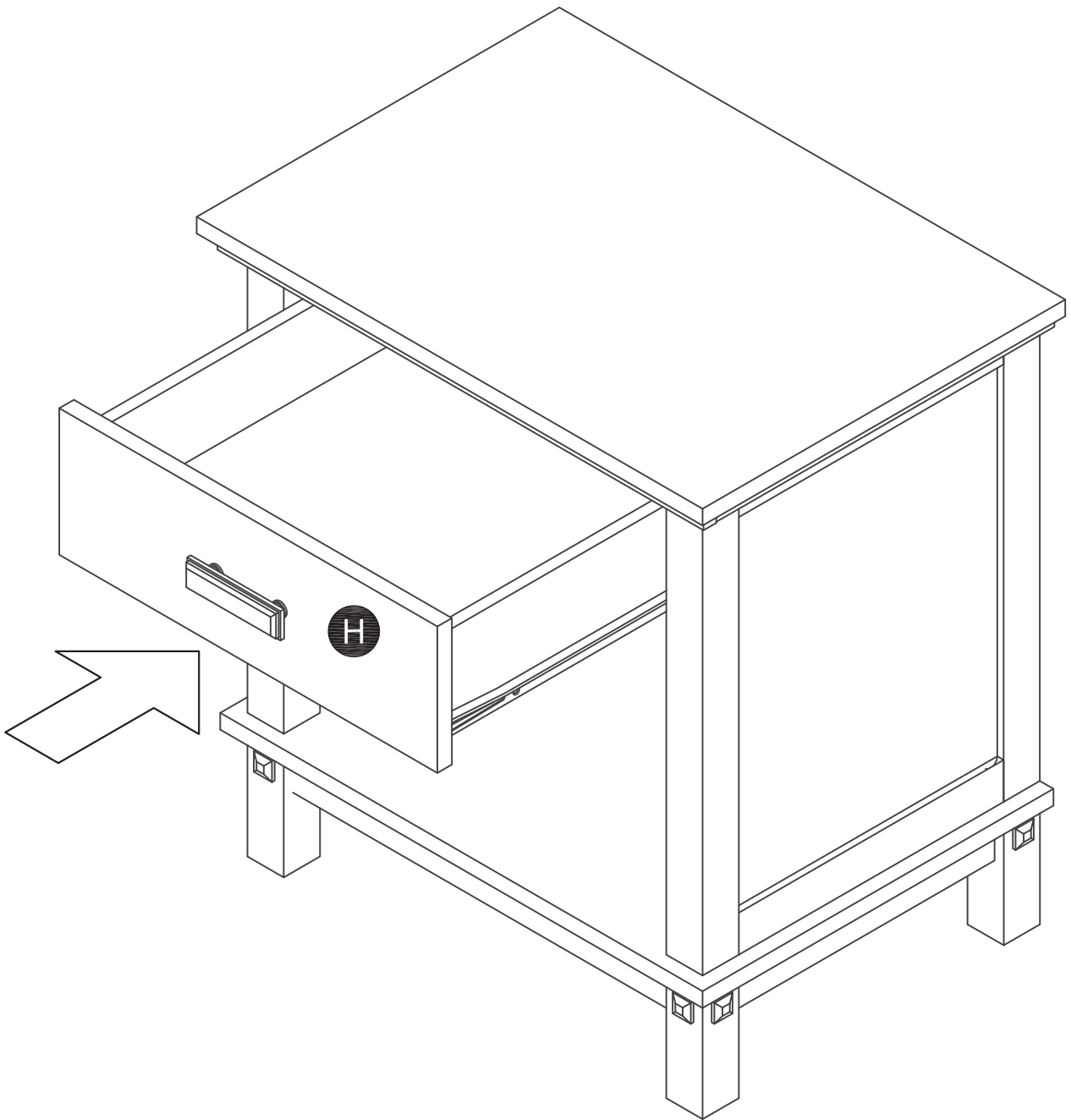
Make sure drawer front panel does not move and lock drawer front panel into position with 3/4" Flat Head Screws.

Note: These 3/4" Flat Head Screws must be installed to complete the drawer assembly.



STEP 13

Slide Drawer (H) into position.





# CARE INSTRUCTIONS

## NEVER

allow liquids to remain on furniture.  
Absorption causes parts to warp  
and split and finishes to delaminate.

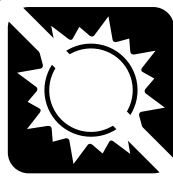
## NEVER

use glass cleaners on  
finished furniture. Ammonia  
chemically attacks the finish.



Do not use power tools  
above 8 volts to assemble.

**PREVENT  
CRACKING**



Do not place  
in direct sunlight.

**PREVENT  
FADING**



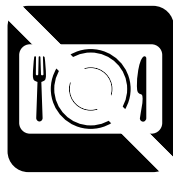
Do not write  
directly on surface.

**PREVENT  
MARKING**



Do not place hot  
objects on surface.

**PREVENT  
FINISH DAMAGE**



Do not use rubber  
based placemats.

**PREVENT  
DISCOLORING**



Do not use commercial  
waxes and polishes.

**PREVENT  
YELLOWING**

## CLEAN

with a soft cloth moistened  
in lukewarm soap and water.  
Buff with a dry clean cloth.



**homestyles** will provide replacements free of charge for missing or damaged parts within 30 days of purchase. Digital images of the defective parts may be required. If the product was not purchased from an authorized retailer, **homestyles** is under no obligation to provide replacement parts. Parts are not available for fully assembled items nor are parts available for sale. Replacements for missing or damaged parts may be requested via contact info below.

**homestyles** Customer Service: [www.homestylesfurniture.com](http://www.homestylesfurniture.com),  
[servicedesk@homestylesfurniture.com](mailto:servicedesk@homestylesfurniture.com), 888-680-7460