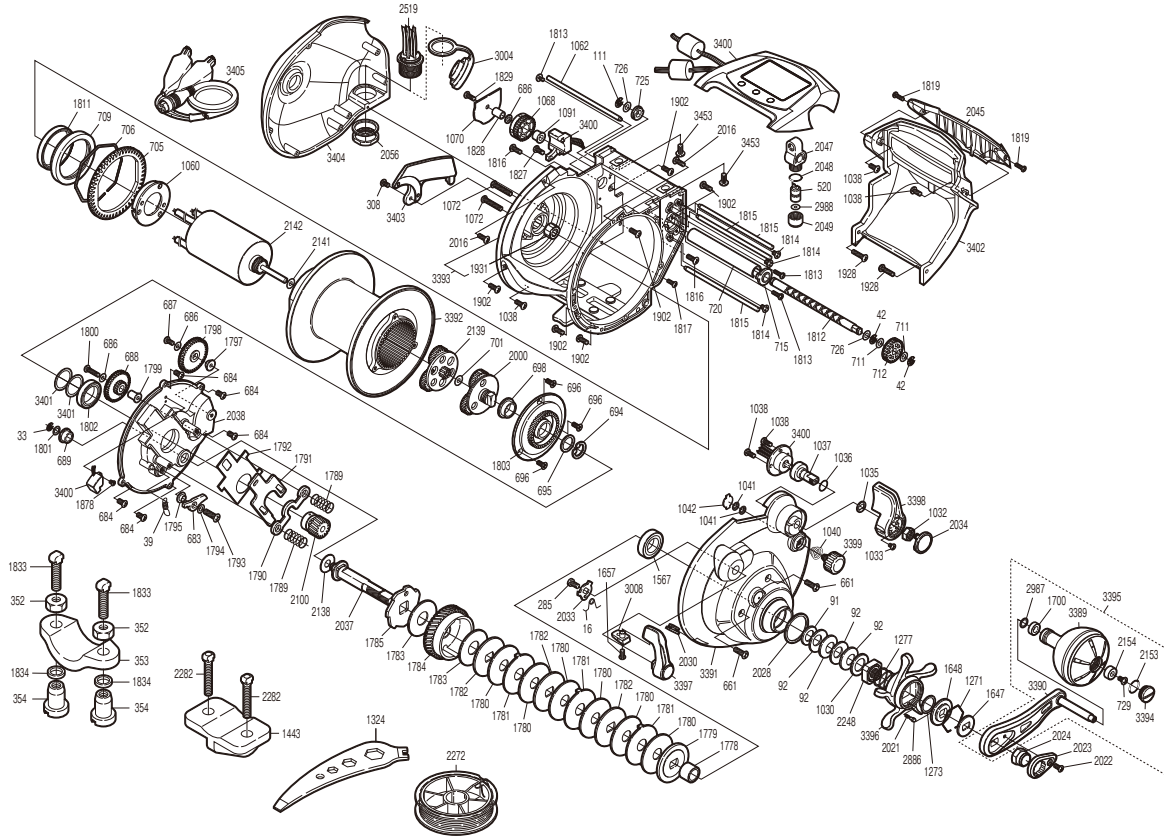


# SHIMANO

## ForceMaster

## FM-9000



(51RG679000X)

#	Part No.	Description	#	Part No.	Description	#	Part No.	Description
0016	10JYX	Clutch Spring	1647	107QM	Drive Shaft Shield	2038	105WW	Set Plate
0033	105NG	E Lock	1648	10J2T	Star Drag Click Plate	2045	10B3M	Level Wind Cover Sticker
0039	10CBS	Anti-Reverse Pawl Spring	1657	10LSQ	Screw	2047	10P46	Line Guide Assembly
0042	105NE	E Lock	1700	104UJ	Handle Knob Bushing B	2048	108WQ	O Ring
0091	104L5	Washer	1778	10BT6	Drive Shaft Sleeve	2049	10FJD	Pawl Cap
0092	1052E	Drag Spring Washer	1779	10D4H	Pressure Plate	2056	10BGS	Socket Nut Set
0111	105NJ	E Lock	1780	10L86	Drag Washer	2100	1066Y	Pinion Gear Assembly
0285	10F8M	Screw	1781	10LBB	Eared Washer	2138	10GN2	Washer
0308	10LSK	Screw	1782	10KZW	Key Washer	2139	10MHZ	Reduction Gear Plate A
0520	10FFZ	Line Guide Pawl	1783	10CKR	Drag Washer	2141	10GN4	Washer
0661	10M70	Screw	1784	10Q9X	Drive Gear	2142	106JS	Motor Assembly
0683	10PFV	Anti-Reverse Pawl	1785	10A2H	Anti-Reverse Ratchet Assembly	2153	10LAB	O Ring
0684	10M6K	Screw	1789	104BV	Yoke Spring	2154	10EU0	Handle Knob Bushing A
0686	105EN	Washer	1790	1047Y	Yoke	2248	10QY2	Star Drag Nut
0687	103GP	Screw	1791	1094R	Clutch Plate	2519	100XP	Socket Set
0688	10PSZ	Worm Idle Gear B	1792	10AYE	Clutch Plate Washer	2886	10B2T	Click Pin
0689	10B93	Drive Shaft Bushing	1793	10MGB	Screw	2987	104FH	Washer
0694	105S8	C Lock	1794	10GCV	Washer	2988	10RF9	Washer
0695	109RA	Washer	1795	10PKN	Anti-Reverse Pawl Cover	3004	10T2G	Socket Cap
0696	10ML5	Screw	1797	10PYU	Worm Idle Gear Bushing A	3008	101AQ	Clutch Lever Protector
0698	10MGW	Plate Bushing (Large)	1798	10MCN	Worm Idle Gear A	3389	10SD1	Handle Knob Assembly
0701	109R9	Washer	1799	10PYX	Worm Idle Gear Bushing B	3390	10SNG	Handle Shank Assembly
0705	10CUW	Counter Gear A	1800	103LZ	Screw	3391	10SNH	Right Side Plate Assembly
0706	106PU	Gear Retainer	1801	10J8D	Washer	3392	10RJ7	Spool Assembly
0709	10PWQ	Bearing Rim	1802	108PG	Ball Bearing	3393	10SND	Frame Assembly
0711	105KF	Washer	1803	10HSK	Spool Plate	3394	10SCZ	Handle Knob Seal
0712	10N99	Worm Gear	1811	104PK	Ball Bearing	3395	10DS3	Handle Assembly
0715	104T6	Worm Bushing A	1812	10586	Worm Shaft	3396	10S4T	Star Drag
0720	10NMQ	Level Wind Guard	1813	10MPG	Screw	3397	10SCY	Clutch Lever Assembly
0725	104SX	Worm Bushing B	1814	103L1	Screw	3398	1007M	Lever Switch
0726	109RN	Washer	1815	10PCN	Stabilizer Bar A	3399	1004Y	Cast Control Cap
0729	103E9	Screw	1816	10M2A	Screw	3400	10DXU	Counter Unit
1030	10BR2	Star Drag Washer	1817	103NP	Screw	3401	10HX0	Washer
1032	10MAN	Lever Switch Nut	1819	10MQ2	Screw	3402	10S6G	Level Wind Protector
1033	103N3	Screw	1827	103GQ	Screw	3403	1007L	Motor Holder B
1035	10NAQ	Key Washer	1828	106PY	Counter Gear Bushing B	3404	10S67	Left Side Plate
1036	10NAR	O Ring	1829	103LK	Screw	3453	103HH	Screw
1037	10N77	Lever Insert Shaft	1878	10MT4	Screw			
1038	10LZF	Screw	1902	10LSZ	Screw			
1040	10BRG	Spool Tension Spring	1928	10M32	Screw			
1041	105SB	Cs Lock	1931	10F5G	Roller Clutch Bearing	0352	105N9	Rod Clamp Nut B (Accessory)
1042	1085L	Cast Control Spacer A	2000	10MM6	Reduction Gear Plate B	0353	10AR5	Rod Clamp (Accessory)
1060	10F1Q	Motor Holder	2016	10LT4	Screw	0354	1046P	Rod Clamp Nut A (Accessory)
1062	10PCL	Stabilizer Bar B	2021	10988	Click Spring	1443	10J9P	Rod Clamp (Accessory)
1068	10MZL	Counter Gear B Assembly	2022	103GK	Screw	1833	10A79	Rod Clamp Bolt (Accessory)
1070	10QC8	Cord Cover	2023	10QL6	Rotor Nut Lock Plate	1834	10GA8	Rod Clamp Nut Washer (Accessory)
1072	10MC0	Screw	2024	10FT0	Handle Nut	2282	101UW	Rod Clamp Bolt (Accessory)
1091	106PW	Counter Gear Bushing	2028	10G6V	Star Drag Spacer			
1271	10KXX	Click Plate Retainer	2030	106NV	Line Clip	1324	10MJ6	Wrench (Accessory)
1273	10G6M	Washer	2033	10871	Clutch Cam Assembly	2272	10SB8	Bobbin With Line (Accessory)
1277	10HZ2	Star Drag Spring	2034	10N72	Lever Switch Sticker	3193	10CW0	Line Picker (Accessory)
1567	10KXA	Ball Bearing	2037	105D3	Drive Shaft	3405	10004	Cable (Accessory)

Please note that the number of adjusting washers may not be the same as shown in the exploded views. (Adjustment will vary with each individual product.)