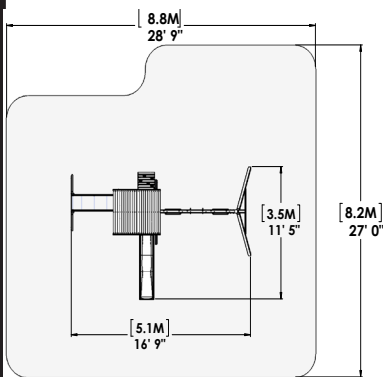


NEXT GENERATION ECHO - F25046

INSTALLATION AND OPERATING INSTRUCTIONS



! WARNING

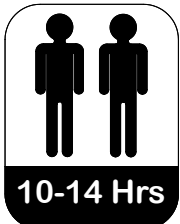
To reduce the risk of serious injury or death, you must read and follow these instructions. Keep and refer to these instructions often and give them to any future owner of this play system. Manufacturer contact information provided below.

OBSTACLE FREE SAFETY ZONE - 28'9" (8.8m) x 27' (8.2m) area requires Protective Surfacing. See Owner's Manual.

MAXIMUM VERTICAL FALL HEIGHT - 6'9" (2.06m)

CAPACITY - 12 Users Maximum, Ages 3 to 10; Weight Limit 110 lbs. (49.9 kg) per child.

RESIDENTIAL HOME USE ONLY. Not intended for public areas such as schools, churches, nurseries, day cares or parks.



TWO PERSON ASSEMBLY



Cedar Summit

c/o ©Solowave Design
375 Sligo Rd. West, PO Box 10
Mount Forest, ON Canada N0G 2L0

General Inquiries:

Regular Hours: 8:00am - 5:00pm EST
Peak Season (April - August):
8:00am - 7:00pm EST (Mon - Fri)
8:00am - 4:00pm EST (Sat & Sun)

Toll Free: **1-877-817-5682**

Email: support@cedarsummitplay.com

Web Form/Line Chat: www.cedarsummitplay.com/contact-us

Table of Contents

Warnings and Safe Play Instructions	pg. 2
Protective Surfacing Guidelines.....	pg. 3
Instructions for Proper Maintenance	pg. 4
About Our Wood - Limited Warranty	pg. 5
Keys to Assembly to Access	pg.6
Part ID.....	pg. 8
Step-By-Step Instructions.....	pg. 15
Installation of I.D./Warning Plaque	Final Step

Warnings and Safe Play Instructions



CONTINUOUS ADULT SUPERVISION REQUIRED. Most serious injuries and deaths on playground equipment have occurred while children were unsupervised! Our products are designed to meet mandatory and voluntary safety standards. Complying with all warnings and recommendations in these instructions will reduce the risk of serious or fatal injury to children using this play system. Go over the warnings and safe play instructions regularly with your children and make certain that they understand and follow them. Remember on-site adult supervision is required for children of all ages.



WARNING

SERIOUS HEAD INJURY HAZARD

Installation over concrete, asphalt, dirt, grass, carpet and other hard surface creates a risk of serious injury or death from falls to the ground. Install and maintain shock absorbing material under and around play-set as recommended on page 3 of these instructions.

COLLISION HAZARD

Place play-set on level ground at least 6 feet from any obstruction such as a garage or house, fences, poles, trees, sidewalks, walls, landscape timbers, rocks, pavement, planters, garden borders, overhanging branches, laundry lines, and electrical wires. (See OBSTACLE FREE SAFETY ZONE on cover)

CHOKING HAZARD/SHARP EDGES & POINTS

Adult assembly required. This product contains small parts and parts with sharp edges and points. Keep parts away from children until fully assembled.

WARNING LABEL

Owners shall be responsible for maintaining the legibility of the warning labels.

STRANGULATION HAZARD

- NEVER allow children to play with ropes, clotheslines, pet leashes, cables, chains or cord-like items when using this play-set or to attach these items to play-set.
- NEVER allow children to wear loose fitting clothing, ponchos, hoods, scarves, capes, necklaces, items with draw-strings, cords or ties when using this play-set.
- NEVER allow children to wear bike or sport helmets when using this play-set.

Failure to prohibit these items, even helmets with chin straps, increases the risk of serious injury and death to children from entanglement and strangulation.

TIP OVER HAZARD

Choose a level location for the equipment. This can reduce the likelihood of the play set tipping over and loose-fill surfacing materials washing away during heavy rains.

DO NOT allow children to play on the play-set until the assembly is complete and the unit is properly anchored.



WARNING – Safe Play Instructions

- ✓ Observe capacity limitations of your play-set. See front cover.
- ✓ Dress children with well fitting and full foot enclosing footwear.
- ✓ Teach children to sit with their full weight in the center of the swing seat to prevent erratic swing motion or falling off.
- ✓ Check for splintered, broken or cracked wood; missing, loose, or sharp edged hardware. Replace, tighten and or sand smooth as required prior to playing.
- ✓ Verify that suspended climbing ropes, rope ladders, chain or cable are secured at both ends and cannot be looped back on itself as to create an entanglement hazard.
- ✓ On sunny and or hot days, check the slide and other plastic rides to assure that they are not very hot as to cause burns. Cool hot slide and rides with water and wipe dry prior to using.
- ✗ Do not allow children to wear open toe or heel footwear like sandals, flip-flops or clogs.
- ✗ Do not allow children to walk, in front, between, behind or close to moving rides.
- ✗ Do not let children twist swing chains or ropes or loop them over the top support bar. This may reduce the strength of the chain or rope and cause premature failure.
- ✗ Do not let children get off rides while they are in motion.
- ✗ Do not permit climbing on equipment when it is wet.
- ✗ Do not permit rough play or use of equipment in a manner for which it was not intended. Standing on or jumping from the roof, elevated platforms, swings, climbers, ladders or slide can be dangerous.
- ✗ Do not allow children to swing empty rides or seats.
- ✗ Do not allow children to go down slide head first or run up slide.

⚠️ Protective Surfacing - Reducing Risk of Serious Head Injury From Falls

One of the most important things you can do to reduce the likelihood of serious head injuries is to install shock-absorbing protective surfacing under and around your play equipment. The protective surfacing should be applied to a depth that is suitable for the equipment height in accordance with ASTM F1292. There are different types of surfacing to choose from; whichever product you select, follow these guidelines:

Loose-Fill Materials

- Maintain a minimum depth of 9 inches of loose-fill materials such as wood mulch/chips, engineered wood fiber (EWF), or shredded/recycled rubber mulch for equipment up to 8 feet high; and 9 inches of sand or pea gravel for equipment up to 5 feet high. NOTE: An initial fill level of 12 inches will compress to about a 9-inch depth of surfacing over time. The surfacing will also compact, displace, and settle, and should be periodically raked and refilled to maintain at least a 9-inch depth.
- Use a minimum of 6 inches of protective surfacing for play equipment less than 4 feet in height. If maintained properly, this should be adequate. (At depths less than 6 inches, the protective material is too easily displaced or compacted.)

NOTE: Do not install home playground equipment over concrete, asphalt, or any other hard surface. A fall onto a hard surface can result in serious injury to the equipment user. Grass and dirt are not considered protective surfacing because wear and environmental factors can reduce their shock absorbing effectiveness. Carpeting and thin mats are not adequate protective surfacing. Ground level equipment -- such as a sandbox, activity wall, playhouse or other equipment that has no elevated play surface -- does not need any protective surfacing.

- Use containment, such as digging out around the perimeter and/or lining the perimeter with landscape edging. Don't forget to account for water drainage.
- Periodically rake, check and maintain the depth of the loose-fill surfacing material. Marking the correct depth on the play equipment support posts will help you to see when the material has settled and needs to be raked and or replenished. Be sure to rake and evenly redistribute the surfacing in heavily used areas.
- Do not install loose fill surfacing over hard surfaces such as concrete or asphalt.

Poured-In-Place Surfaces or Pre-Manufactured Rubber Tiles

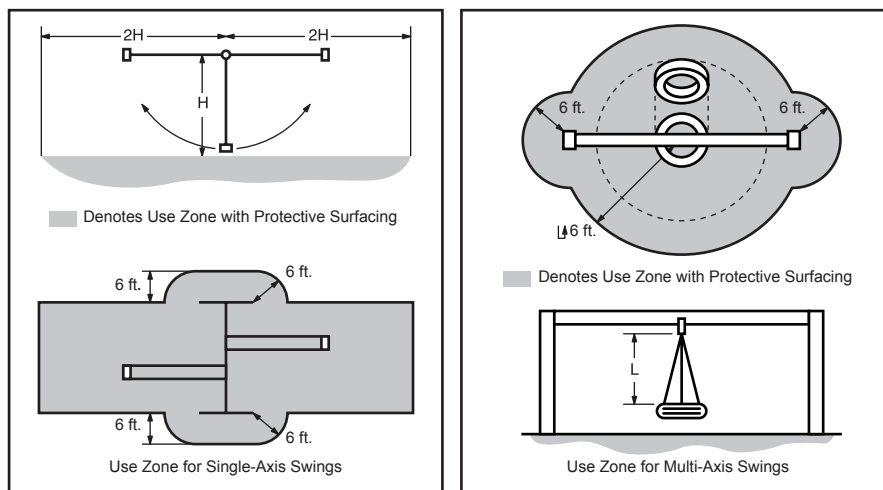
You may be interested in using surfacing other than loose-fill materials - like rubber tiles or poured-in-place surfaces.

- Installations of these surfaces generally require a professional and are not "do-it yourself" projects.
- Review surface specifications before purchasing this type of surfacing. Ask the installer/manufacturer for a report showing that the product has been tested to the following safety standard: ASTM F1292 *Standard Specification for Impact Attenuation of Surfacing Materials within the Use Zone of Playground Equipment*. This report should show the specific height for which the surface is intended to protect against serious head injury. This height should be equal to or greater than the fall height - vertical distance between a designated play surface (*elevated surface for standing, sitting, or climbing*) and the protective surfacing below - of your play equipment.
- Check the protective surfacing frequently for wear.

Placement

Proper placement and maintenance of protective surfacing is essential. Refer to diagram on front cover. Be sure to;

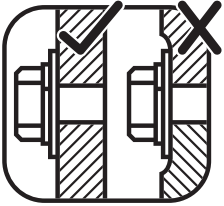
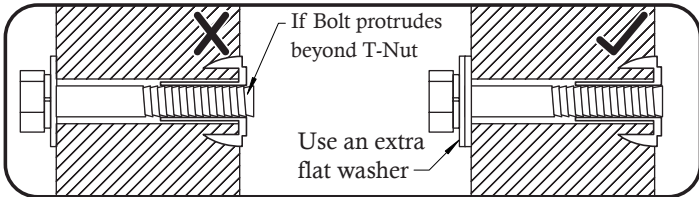
- Extend surfacing at least 6 feet from the equipment in all directions.
- For to-fro swings, extend protective surfacing in front of and behind the swing to a distance equal to twice the height of the top bar from which the swing is suspended.
- For tire swings, extend surfacing in a circle whose radius is equal to the height of the suspending chain or rope, plus 6 feet in all directions.



Instructions for Proper Maintenance

Your Cedar Summit Play System is designed and constructed of quality materials with your child's safety in mind. As with all outdoor products used by children, it will weather and wear. To maximize the enjoyment, safety and life of your Play Set, it is important that you, the owner, properly maintain it.

Check the following at the beginning of the play season:

<p>HARDWARE:</p> <ul style="list-style-type: none"> ✓ Check metal parts for rust. If found, sand and repaint using a non-lead paint complying with 16 CFR 1303. ✓ Inspect and tighten all hardware. On wood assemblies DO NOT OVERTIGHTEN as to cause crushing and splintering of wood. ✓ Check for sharp edges or protruding screw threads, add washers if required.   <p>SHOCK ABSORBING SURFACING:</p> <ul style="list-style-type: none"> ✓ Check for foreign objects. Rake and check depth of loose fill protective surfacing materials to prevent compaction and maintain appropriate depth. Replace as necessary. (See Protective Surfacing, page 3) 	<p>GROUND STAKES (ANCHORS):</p> <ul style="list-style-type: none"> ✓ Check for looseness, damage or deterioration. Should firmly anchor unit to ground during use. Re-secure and or replace, if necessary. <p>SWING HANGERS:</p> <ul style="list-style-type: none"> ✓ Check that bolts are secure and tight. Quick clips should be completely closed and threaded clips screwed tight. ✓ If squeaking occurs lubricate bushings with oil or WD-40®. <p>SWINGS, ROPES AND RIDES:</p> <ul style="list-style-type: none"> ✓ Reinstall if removed during cold season. Check all moving parts including swing seats, ropes, chains and attachments for wear, rust and other deterioration. Replace as needed. ✓ Check that ropes are tight, secure at both ends and cannot loop back as to create an entrapment. <p>WOOD PARTS:</p> <ul style="list-style-type: none"> ✓ Check all wood members for deterioration, structural damage and splintering. Sand down splinters and replace deteriorated wood members. As with all wood, some checking and small cracks in grain is normal. ✓ Applying a water repellent or stain (water-based) on a yearly basis is important maintenance to maintain maximum life and performance of the product.
--	---

Check twice a month during play season:

<p>HARDWARE:</p> <ul style="list-style-type: none"> ✓ Inspect for tightness. Must be firmly against, but not crushing the wood. DO NOT OVERTIGHTEN. This will cause splintering of wood. ✓ Check for sharp edges or protruding screw threads. Add washers if required. 	<p>SHOCK ABSORBING SURFACING:</p> <ul style="list-style-type: none"> ✓ Rake and check depth of loose fill protective surfacing materials to prevent compaction and maintain appropriate depth. Replace as necessary. (See Protective Surfacing, page 3)
--	---

Check once a month during play season:

<p>SWING HANGERS:</p> <ul style="list-style-type: none"> ✓ Check that they are secure and orientated correctly. Hook should rotate freely and perpendicular to support beam. ✓ If squeaking occurs lubricate bushings with oil or WD-40®. 	<p>SWINGS AND RIDES:</p> <ul style="list-style-type: none"> ✓ Check swing seats, all ropes, chains and attachments for fraying, wear, excessive corrosion or damage. Replace if structurally damaged or deteriorated.
--	---

Check at the end of the play season:

<p>SWINGS AND RIDES:</p> <ul style="list-style-type: none"> ✓ To prolong their life, remove swings and store inside when outside temperature is below 32°F/0°C. Below freezing, plastic parts may become more brittle. 	<p>SHOCK ABSORBING SURFACING:</p> <ul style="list-style-type: none"> ✓ Rake and check depth of loose fill protective surfacing materials to prevent compaction and maintain appropriate depth. Replace as necessary. (See Protective Surfacing, page 3)
--	---

If you dispose of your play set: Please disassemble and dispose of your unit so that it does not create any unreasonable hazards at the time it is discarded. Be sure to follow your local waste ordinances.

About Our Wood

Cedar Summit Premium Play Systems uses only premium playset lumber, ensuring the safest product for your children's use. Although we take great care in selecting the best quality lumber available, wood is still a product of nature and susceptible to weathering which can change the appearance of your set.

What causes weathering? Does it affect the strength of my Play System?

One of the main reasons for weathering is the effects of water (moisture); the moisture content of the wood at the surface is different than the interior of the wood. As the climate changes, moisture moves in or out of the wood, causing tension which can result in checking and or warping. You can expect the following due to weathering. These changes will not affect the strength of the product:

1. **Checking** is surface cracks in the wood along the grain. A post (4" x 4") will experience more checking than a board (1" x 4") because the surface and interior moisture content will vary more widely than in thinner wood.
2. **Warping** results from any distortion (twisting, cupping) from the original plane of the board and often happens from rapid wetting and drying of the wood.
3. **Fading** happens as a natural change in the wood color as it is exposed to sun-light and will turn a grey over time.

How can I reduce the amount of weathering to my Play System?

At the factory we have coated the wood with a water repellent or stain. This coating decreases the amount of water absorption during rain or snow thus decreasing the tension in the wood. Sunlight will break down the coating, applying a water repellent or stain on a yearly basis is important maintenance. (see your local stain and paint supplier for a recommended product)

Most weathering is just the normal result of nature and will not affect safe play and enjoyment for your child. However if you are concerned that a part has experienced a severe weathering problem please call our consumer relations department for further assistance.

Complete and mail registration card to receive important product notifications and assure prompt warranty service.

5 Year Limited Warranty

Solowave Design warrants that this product is free from defect in materials and workmanship for a period of one year from the original date of purchase. In addition, lumber is warranted for 5 years against structural failure due to rot and insect damage. All other parts, such as hardware, swings, rides, accessories, and slides carry a one-year warranty only.

This warranty applies to the original owner and registrant and is non-transferable.

Regular maintenance is required to assure the integrity of your Play System. Failure by the owner to maintain the product according to the maintenance requirements may void this warranty. This warranty does not cover any inspection cost.

This Limited Warranty does not cover:

- Labor for replacement of any defective item(s);
- Incidental or consequential damages;
- Cosmetic defects which do not affect performance or integrity;
- Vandalism; improper use or installation; acts of nature;
- Minor twisting, warping, checking, or any other natural occurring properties of wood that do not affect performance or integrity.

Solowave Design products have been designed for safety and quality. Any modifications made to the original product could damage the structural integrity of the unit leading to failure and possible injury. Solowave Design Inc. cannot assume any responsibility for modified products. Furthermore, modification voids any and all warranties.

This product is warranted for **RESIDENTIAL USE ONLY**. Under no circumstance should a Solowave Design Play System be used in public settings such as schools, churches, playgrounds, parks, day cares and the like. Such use may lead to product failure and potential injury. Any and all public use will void this warranty.

Solowave Design disclaims all other representations and warranties of any kind, express or implied.

This Warranty gives you specific legal rights. You may have other rights as well which vary from state to state or province to province. This warranty excludes all consequential damages, however, some states do not allow the limitation or exclusion of consequential damages, and therefore this limitation may not apply to you.

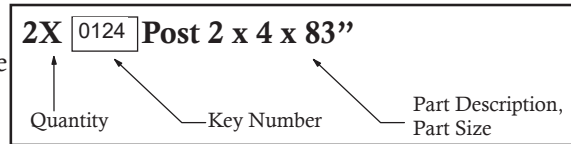
Keys to Assembly Success

Tools Required

<ul style="list-style-type: none"> • Carpenters Level • Carpenters Square 	<ul style="list-style-type: none"> • Claw Hammer • Tape Measure 	<ul style="list-style-type: none"> • Standard or Cordless Drill • Pencil 	<ul style="list-style-type: none"> • Safety Glasses • Adult Helpers
---	---	--	---

Part Identification Key

On each page, you will find the parts and quantities required to complete the assembly step illustrated on that page. Here is a sample.



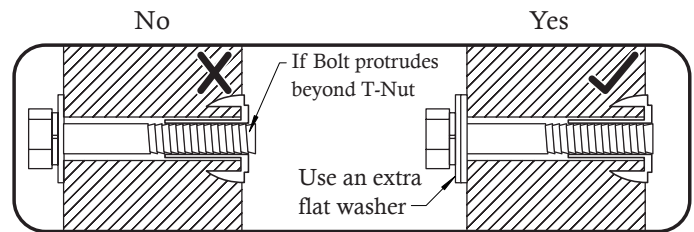
Symbols

Throughout these instructions symbols are provided as important reminders for proper and safe assembly.

<p>This identifies information that requires special attention. Improper assembly could lead to an unsafe or dangerous condition.</p>	<p>Check that set or assembly is properly level before proceeding.</p> <p>Use Level</p>
<p>Use Help</p> <p>Measure Distance</p>	<p>Use Help</p> <p>Where this is shown, 2 or 3 people are required to safely complete the step. To avoid injury or damage to the assembly make sure to get help!</p> <p>Check that assembly is square before tightening bolts.</p> <p>Use a measuring tape to assure proper location.</p> <p>Square Assembly</p>
<p>Pre-drill 1/8" & 3/16" Bit</p> <p>Pre-drill a pilot hole before fastening screw or lag to prevent splitting of wood.</p>	<p>Tighten Bolts</p> <p>This indicates time to tighten bolts, but not too tight! Do not crush the wood. This may create splinters and cause structural damage.</p>

CAUTION – Protrusion Hazard

Once the assembly is tightened, watch for exposed threads. If a thread protrudes from the T-Nut, remove the bolt and add washers to eliminate this condition. Extra washers have been provided for this purpose.

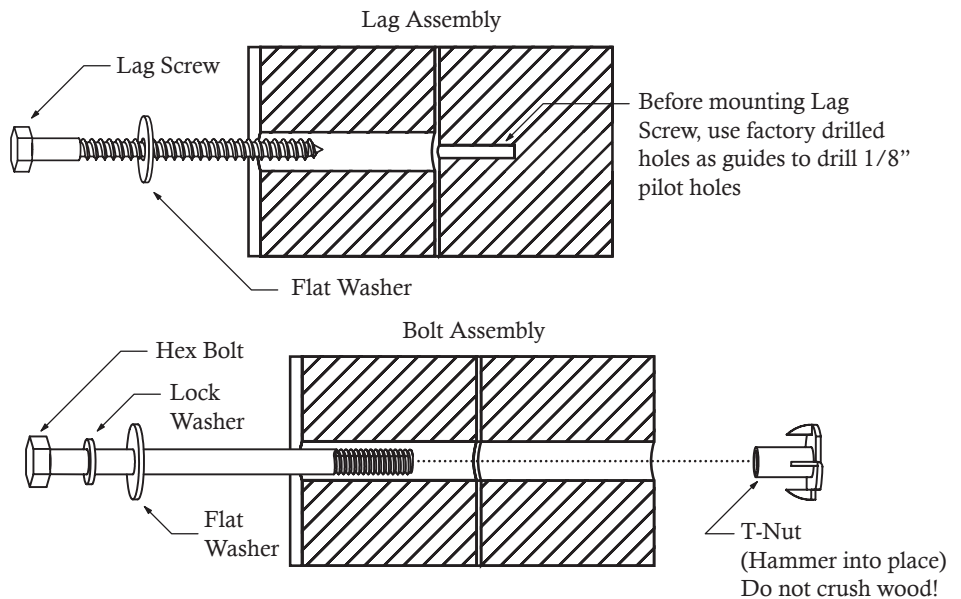


Proper Hardware Assembly

Lag screws require drilling pilot holes to avoid splitting wood. Only a flat washer is required. For ease of installation liquid soap can be used on all lag-type screws.

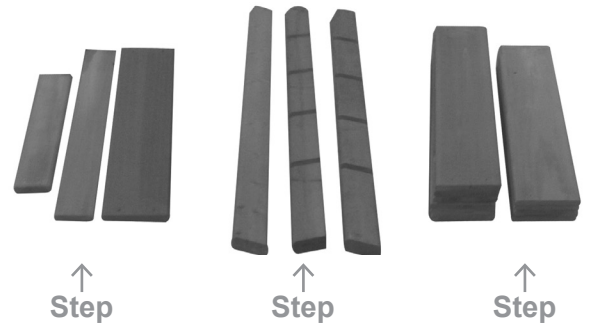
For bolts, tap T-Nut into hole with hammer. Insert the hex bolt through lock washer first then flat washer then hole. Because the assemblies need to be squared do not completely tighten until instructed. Pay close attention to diameter of the bolts. 5/16" is slightly larger than 1/4".

Note: Wafer head bolts with blue lock tight or a bolt with a Ny-Lok nut do NOT require a lock washer.



Your Key To Quick Assembly

**SORTING WOOD PARTS INTO
EACH ASSEMBLY STEP WILL
SAVE TIME!**



SAVE TIME - TIP #1:

Open each box with wood parts and look for the Key Number stamped on the end of the wood part (see chart below). Sort each wood part into the different assembly steps.

2X	0124	Post	2 x 4 x 83"
↑	↑	↑	↑
Part Quantity	Key Number	Part Description	Part Size

SAVE TIME - TIP #2:

In addition to the key number stamp, you can also identify the wood parts by using the Parts Identification pages in the manual or the Parts Identification weather resistant poster.

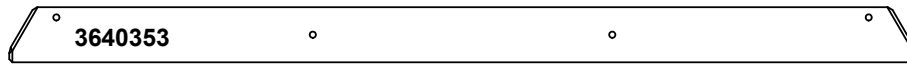
HARDWARE:

The majority of each hardware part comes packed in a separate bag so you do not need to sort the hardware. Each assembly step indicates which hardware (bolt, screw, washer etc.) you will require to complete the step.

Part Identification (Add On A)

(1) MK Ground 1 x 4 x 55-1/4" (16 x 86 x 1403mm)

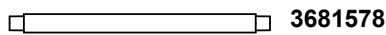
0353



Nominal Size	Actual Size
2" x 4"	1 3/8" x 3 3/8"
2" x 3"	1 3/8" x 2 1/2"
1" x 6"	5/8" x 5 3/8"
1" x 4"	5/8" x 3 3/8"

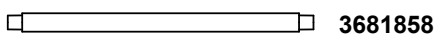
(3) Tennon Dowel 1 1/8" x 15 7/8" (Ø 29 x 403mm)

578



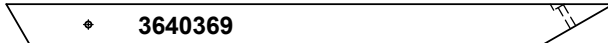
(1) Tennon Dowel 1 1/8" x 18 5/8" (Ø 29 x 473mm)

858

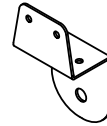


(2) Lower Diagonal 2 x 3 x 37" (35 x 64 x 940mm)

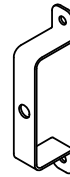
0369



(1) Monkey Bracket Set
3201306



(2) Monkey Bracket
9200300



(2) MB Mount Strap
Green 9200140

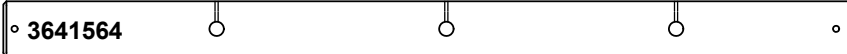
(2) Post MK 2 x 3 x 70" (35 x 64 x 1778mm)

1367

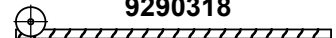


(2) MK Rail Long 2 x 4 x 52" (35 x 86 x 1321mm)

1564

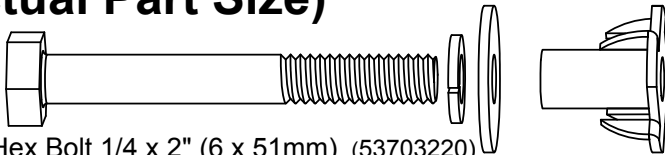


(1) Rebar Ground Stake
9290318



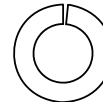
(Actual Part Size)

H2



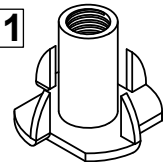
(2) Hex Bolt 1/4 x 2" (6 x 51mm) (53703220)
1/4" (6mm) Lock Washer - 1/4" (6mm) Flat Washer - 1/4" (6mm) T-Nut

LW2



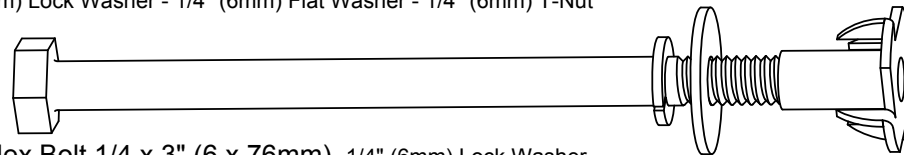
(2) 5/16" (6mm) Lock Washer
(51303300)

TN1



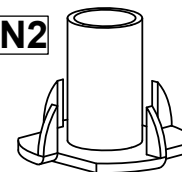
(4) 1/4" (6mm) T-Nut
(54503200)

H12



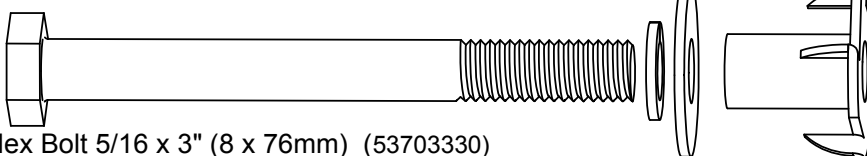
(2) Hex Bolt 1/4 x 3" (6 x 76mm) 1/4" (6mm) Lock Washer,
1/4" (6mm) Flat Washer, 1/4" (6mm) T- Nut (53703230)

TN2



(2) 5/16" (8mm) T-Nut
(54503300)

G10



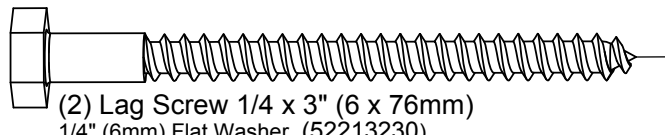
(2) Hex Bolt 5/16 x 3" (8 x 76mm) (53703330)
5/16" (8mm) Lock Washer - 5/16" (8mm) Flat Washer - 5/16" (8mm) T-Nut

LW1



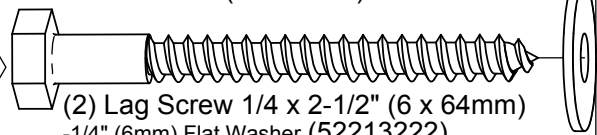
(4) 1/4" (6mm) Lock Washer
(51303200)

LS3



(2) Lag Screw 1/4 x 3" (6 x 76mm)
1/4" (6mm) Flat Washer (52213230)

LS2



(2) Lag Screw 1/4 x 2-1/2" (6 x 64mm)
-1/4" (6mm) Flat Washer (52213222)

S2



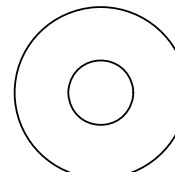
(2) Flat Head Screw #8 x 1 1/2"
(#8 x 38mm)(52043512)

S3



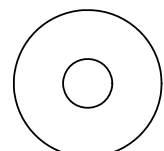
(6) Flat Head Screw #8 x 2 1/2"
(#8 x 64mm) (52043522)

FW2



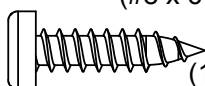
(2) 5/16" (8mm) Flat Washer
(51103300)

FW1



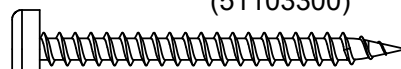
(8) 1/4" (6mm) Flat Washer
(51103200)

S6



(12) Pan Screw #12 x 1"
(#12 x 25mm) (52433610)

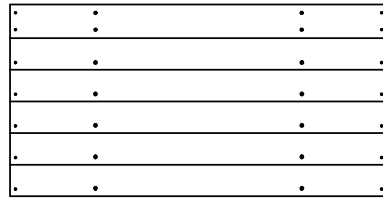
S7



(1) Pan Screw #12 x 2" (#12 x 51mm) (52433620)

Part Identification (Add on D)

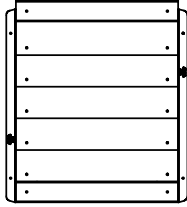
2pc. - [2756]
Siding Assembly 1 1/4 x 19-15/16 x 39-3/16"
(32 x 506 x 995mm) 37632756



1pc. - [2658] - 2-13/32 x 6-3/4 x 34"
(61 x 171 x 864mm) Folding Bench **37632658**



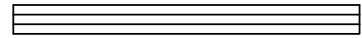
2pc. - [649A]
Short Half Wall - 1.27 x 18.8 x 20-15/16"
(32 x 477 x 532mm) 37632649A



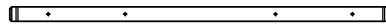
1pc. - [2611] - 5/4 x 5 x 39-5/8" - Table Top
(25 x 108 x 1006mm) **3632611**



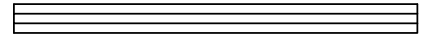
1pc. - [2602] - Upper Jamb 1 1/4 x 3 x 35-15/16"
(32 x 76 x 913mm) **3632602**



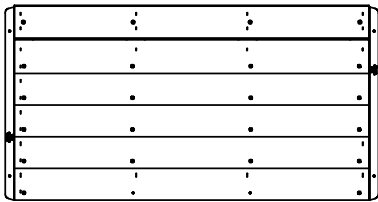
1pc. - [2612] - 2 x 2 x 39-5/8" - Table Support
(38 x 38 x 1006mm) **3632612**



1pc. - [2601] - Lower Jamb 1 1/4 x 3 x 41-15/16"
(32 x 76 x 1065mm) **3632601**



1pc. - [2665]
Half Wall Insert - 1.4 x 20 1/4 x 38.8"
(36 x 514 x 986mm) 37632665



1x - Hole Plug
(16pk) (3329916)



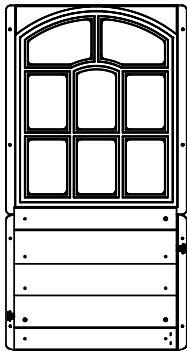
1x - Hand Grip
Yellow (9320240)



2pc. - [2717] - Clock Block 3/4 x 1-3/4 x 9-3/4"
(19 x 44 x 248mm) **3632717**

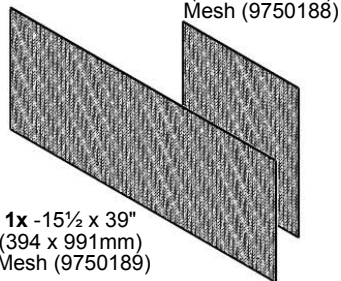


2pc. - [2655]
Upper Window Insert
1.27 x 18.8 x 35.86"
(32 x 478 x 911mm) 37632655

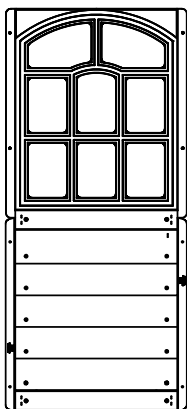
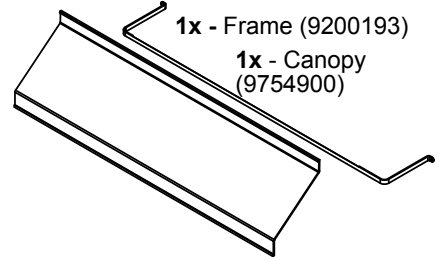


1pc.
MOD 3 Pane Transom
(2Pk) 3320138

1x - Selwood Window
Mesh Set (3750188)



1x - Frame (9200193)
1x - Canopy
(9754900)
1x - Cafe Canopy Set (3754900)

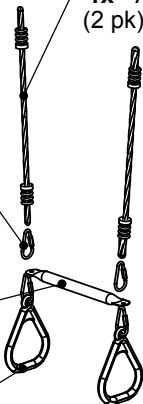


1x - Quick Link
(Threaded)(4pk)
(3200020)

1x - Steel
Acro Bar
(9200131)

2x - Acro Handle
(9320131)

1x - Acro Rope
(2 pk) (3502024)



(1) Cedar Summit ID
Plaque (9320357)



1x - Rebar Ground
Stake (6 Pk)
(3200318)



1x - Swing Hanger (6 Pk)
(3206106)



1x - Rocks (5pk)
(3320386)



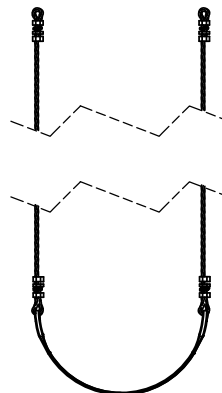
1x - Jamb Mount (4 Pk)
(3206302)



1x - L Beam Brkt.
(3200145) (2pk)



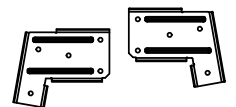
2x - Long Belt Swing
(3724947)
Yellow



1x - Clock Subset
(3320329)



1x - Base Clock
(9320124)

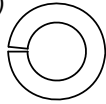


1x - Beam Brkt. Set
(3200143) (2pk)

1pc. - [2649]
Lower Window Insert 1.27 x 18.8 x 41.91"
(32 x 478 x 1065mm) 37632649

Add On D Hardware (Actual Size)

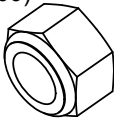
5pc. **LW2** - 5/16" (8mm) Lock Washer -
(51303300)



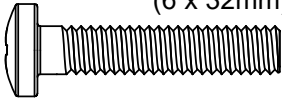
41pc. **LW1** - 1/4"(6mm) Lock Washer -
(51303200)



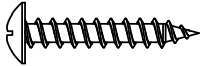
23pc. **LN2** - 5/16"(8mm) Lock Nut
(54303300)



5pc. **PB2** - Pan Bolt 1/4 x 1-1/4" (53433212)
(6 x 32mm)



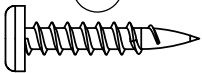
76pc. **S0** - Truss Screw #8 x 7/8" - (52933505)
(#8 x 22mm)



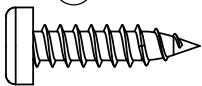
36pc. **S5** - Pan Screw #8 x 1/2" - (52433502)
(#8 x 13mm)



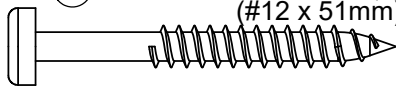
5pc. **S10** - Pan Screw #8 x 1" (#12 x 25mm)
(52433510)



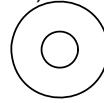
2pc. **S6** - Pan Screw #12 x 1" (#12 x 25mm)
(52433610)



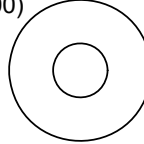
13pc. **S7** - Pan Screw #12 x 2" - (52433620)
(#12 x 51mm)



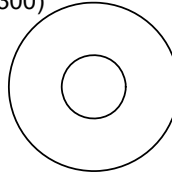
5pc. **FW0** - 3/16" (5mm) Flat Washer -
(51103100)



38pc. **FW1** - 1/4"(6mm) Flat Washer -
(51103200)



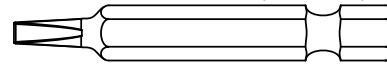
54pc. **FW2** - 5/16" (8mm) Flat Washer -
(51103300)



36pc. **FW3** - #8 Flat Washer - (51003500)



1pc. **D4** - 2 x 2 (51 x 51mm) Robertson Driver Bit
(9200014)



(4) **S13** - Pan Screw #6 x 5/8" - (52413908)



56pc. **S30** - Wood Screw #8 x 1-1/16" - (52043517)
(#8 x 27mm)



83pc. **S20** - Wood Screw #8 x 1-3/8" - (52043516)
(#8 x 35mm)



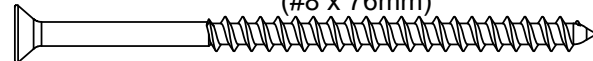
4pc. **S11** - Wood Screw #8 x 2" - (52043520)
(#8 x 51mm)



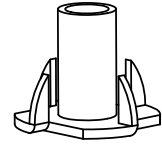
10pc. **S3** - Wood Screw #8 x 2-1/2" - (52043522)
(#8 x 64mm)



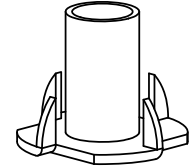
4pc. **S4** - Wood Screw #8 x 3" - (52043530)
(#8 x 76mm)



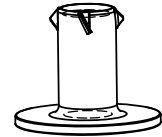
36pc. **TN1** - 1/4" (6mm) T - Nut
(54503200)



10pc. **TN2** - 5/16" (8mm) T- Nut
(54503300)

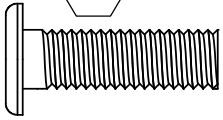


5pc. **BN1** - 1/4" (6mm) Barrel Nut
(54803200)

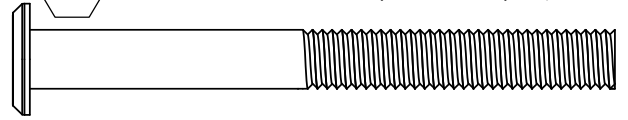


Add On D Hardware (Actual Size)

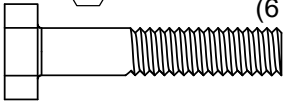
2pc. **WB1** - Wafer Bolt 5/16 x 1" - (53613310)
(8 x 25mm)



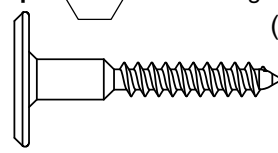
3pc. **WB7** - Wafer Bolt 5/16 x 3" (8 x 76mm) - (53613330)



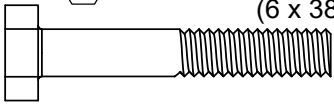
24pc. **H9** - Hex Bolt 1/4 x 1-1/4" - (53703211)
(6 x 32mm)



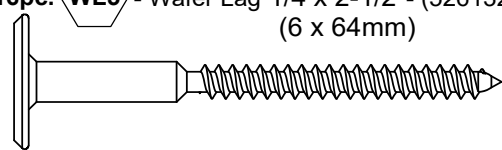
2pc. **WL3** - Wafer Lag 1/4 x 1-3/8" - (52613216)
(6 x 35mm)



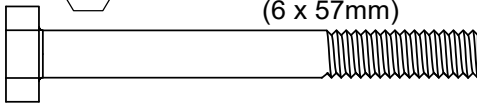
4pc. **H1** - Hex Bolt 1/4 x 1-1/2" - (53703212)
(6 x 38mm)



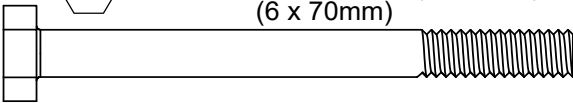
16pc. **WL5** - Wafer Lag 1/4 x 2-1/2" - (52613222)
(6 x 64mm)



4pc. **H10** - Hex Bolt 1/4 x 2-1/4" - (53703221)
(6 x 57mm)



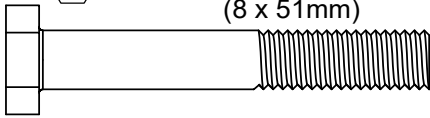
4pc. **H11** - Hex Bolt 1/4 x 2-3/4" - (53703223)
(6 x 70mm)



2pc. **LS3** - Lag Screw 1/4 x 3" - (9272223)



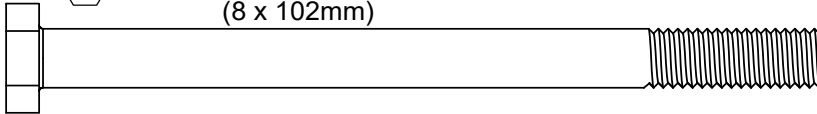
4pc. **G8** - Hex Bolt 5/16 x 2" - (53703320)
(8 x 51mm)



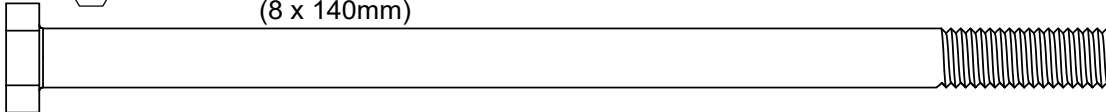
7pc. **G21** - Hex Bolt 5/16 x 3-3/4" - (53703333)
(8 x 95mm)



3pc. **G4** - Hex Bolt 5/16 x 4" - (53703340)
(8 x 102mm)

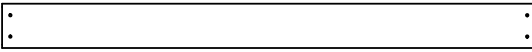


14pc. **G7** - Hex Bolt 5/16 x 5-1/2" - (53703352)
(8 x 140mm)



Part Identification (Add on E)

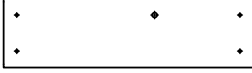
1pc. - **[2648]** - 1 x 4 x 40-5/8 (16 x 86 x 1032mm) - Floor Board **3632648**



8pc. - **[2609]** - 1 x 5 x 40-5/8 (16 x 114 x 1032mm) - Floor Board **3632609**

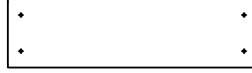


2pc. - **[2780]** - 1 x 6 x 19" (16 x 137 x 483mm)



RK Board A **3632780**

2pc. - **[2779]** - 1 x 6 x 19" (16 x 137 x 483mm)



Access Board **3632779**

3pc. - **[2781]** - 1 x 6 x 19" (16 x 137 x 483mm)



RK Board B **3632781**

2pc. - **[2778]** - 5/4 x 4 x 14 1/4" (25 x 89 x 362)

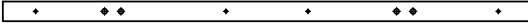


SW Ground MOD **3632778**

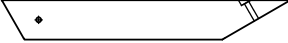
1pc. - **[2616]** - 5/4 x 4 x 46-1/2" (25 x 89 x 1181mm) SW Support **3632616**



2pc. - **[2777]** - 2 x 2 x 40-1/4" (38 x 38 x 1022mm) - Side Joist MOD **3632777**



2pc. - **[2607]** - 1-1/4 x 3 x 22" (32 x 76 x 559mm) - Diagonal **3632607**



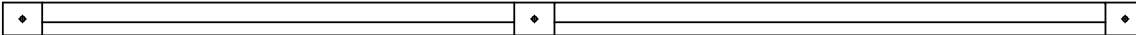
2pc. - **[2776]** - Rock Rail 1 1/4 x 2 1/2 x 51" (32 x 64 x 1295mm) **3632776**



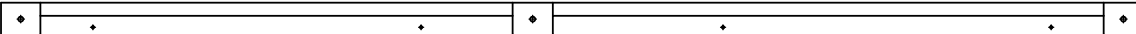
1pc. - **[2608]** - 1-1/4 x 3 x 40-3/4" (32 x 76 x 1035mm) - Floor Joist **3632608**



3pc. - **[2770]** - End Post Left 1 1/4 x 2 1/2 x 87" (32 x 64 x 2210mm) **3632770**



3pc. - **[2771]** - End Post 1 1/4 x 2 1/2 x 87" (32 x 64 x 2210mm) **3632771**

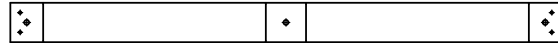


2pc. - **[2772]** - Panel Floor Support 1 1/4 x 3 x 42" (32 x 76 x 1067mm)

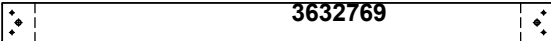


3632772

2pc. **[2775]** Panel Cross Support 1 1/4 x 3 x 42" (32 x 76 x 1067mm) **3632775**

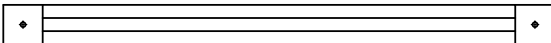


5pc. - **[2769]** - Panel BT Frame 1 1/4 x 3 x 42" (32 x 76 x 1067mm)

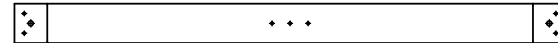


3632769

2pc. - **[2774]** - Upright 1 1/4 x 3 x 42" (32 x 76 x 1067mm) **3632774**



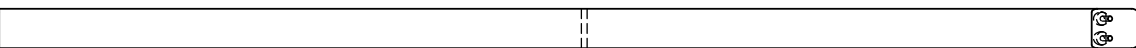
2pc. - **[2768]** - Panel Floor 1 1/4 x 3 x 42" (32 x 76 x 1067mm) **3632768**



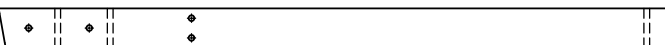
1pc. - **[2630]** - SW Top 1 1/4 x 5 1/2 x 42" (32 x 140 x 1067mm) **39632630**



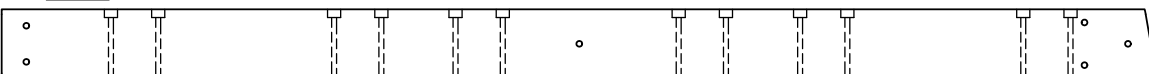
2pc. - **[2613]** - 2 x 3 x 86-11/16" (51 x 76 x 2202mm) - Heavy SW Post **3632613**



1pc. - **[2615]** - 4 x 4 x 50-15/16" - (76 x 76 x 1294mm) SW Upright **3632615**



1pc. - **[2614]** - 4 x 6 x 88" - (76 x 133 x 2235mm) Engineered Beam **3632614**



1pc. - **[2757]**
LT Post Assembly
1 1/4 x 2 1/2 x 87"
(32 x 64 x 2210mm)
37632757

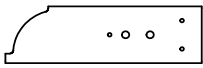


1pc. - **[2758]**
RT Post Assembly
1 1/4 x 2 1/2 x 87"
(32 x 64 x 2210mm)
37632758

Part Identification (Add On F)

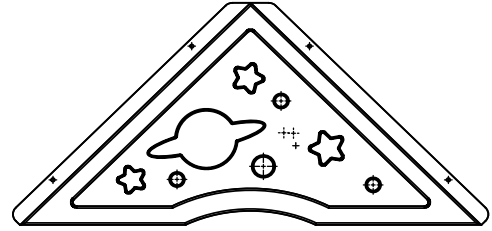
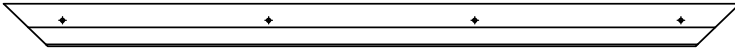
4pc. - **[2759]** Roof End 1-1/4 x 3 x 10" (32 x 76 x 254mm)

3632759



4pc. - **[2760]** - Roof Support 1 1/4 x 2 1/4 x 37 1/2" (32 x 57 x 953mm)

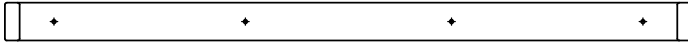
3632760



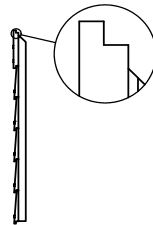
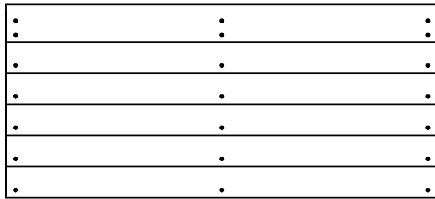
2x - Sky Gable (3320212)

2pc. - **[2761]** - Roof Sleeper C 3/4 x 2 x 35" (19 x 51 x 889mm)

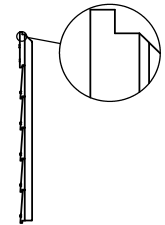
3632761



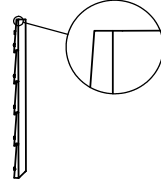
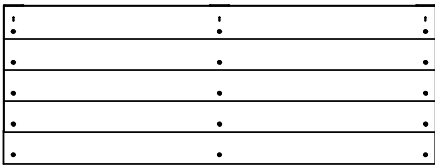
1pc. - **[2752]** - MOD Roof Front 1 1/4 x 20-7/16 x 44" (32 x 519 x 1118mm) **37632752**



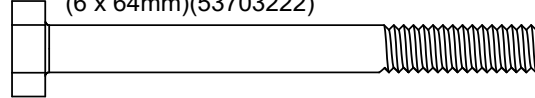
1pc. - **[2753]** - MOD Roof Back 1 1/4 x 20-13/64 x 44" (32 x 513 x 1118mm) **37632753**



2pc. - **[2751]** - MOD Roof Bottom 1-3/16 x 16 25/32 x 44" (30 x 426 x 1118mm) **37632751**



4pc. **(H3)** - Hex Bolt 1/4 x 2-1/2" (6 x 64mm)(53703222)



8pc. **(S20)** - Wood Screw #8 x 1-3/8" - (52043516) (#8 x 35mm)



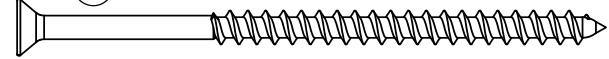
24pc. **(S11)** - Wood Screw #8 x 2" (52043520) (#8 x 51mm)



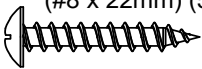
8pc. **(S3)** - Wood Screw #8 x 2-1/2" (52043522) (#8 x 64mm)



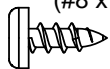
2pc. **(S4)** - Wood Screw #8 x 3" (52043530) (#8 x 76mm)



6pc. **(S0)** - Truss Screw #8 x 7/8" (#8 x 22mm) (52933505)



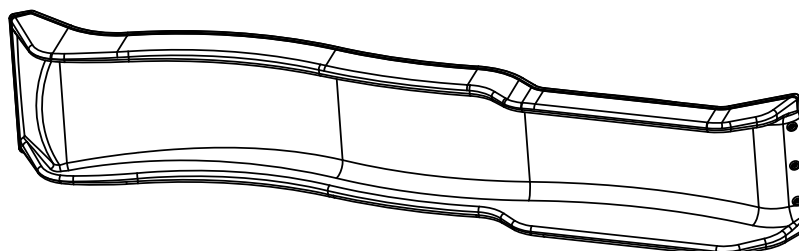
8pc. **(S5)** - Pan Screw #8 x 1/2" (#8 x 13mm) (52433502)



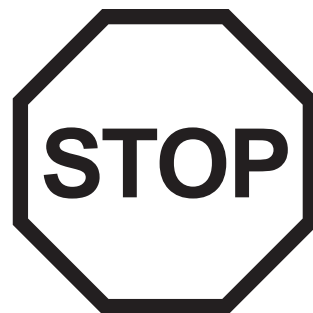
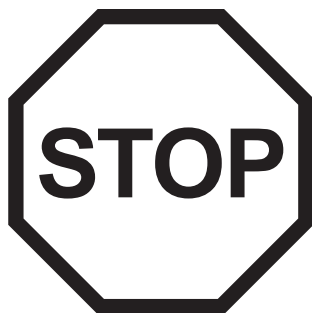
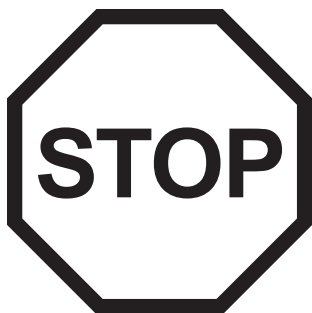
1x - Narrow Angle Bracket (3 Pk) (3200640)



48" High Rail Slide

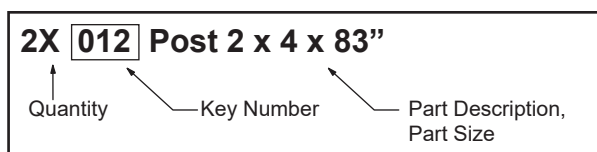


Inventory Parts - Read This Before Starting Assembly



A. This is the time for you to inventory all your hardware, wood and accessories, referencing the parts identification sheets. This will assist you with your assembly.

- The wood pieces will have the key number stamped on the ends of the boards. Organize the wood pieces by step, as per the key numbering system below.



Key Number: The first two digits represent the step number. The third digit represents the piece. Note that if the part is used in multiple steps then the number only reflects the first step it is used in.

- Please refer to Page 6 for proper hardware assembly.
- Each step indicates which bolts and/or screws you will need for assembly, as well as any flat washers, lock washers, t-nuts or lock nuts.

B. If there are any missing or damaged pieces or you need assistance with assembly please contact the consumer relations department directly. Call us before going back to the store.

1-877-817-5682

support@cedarsummitplay.com

C. Read the assembly manual completely, paying special attention to ANSI warnings; notes; and safety/maintenance information on pages 1 - 6.

D. Before you discard your cartons fill out the form below.

- The carton I.D. stamp is located on the end of each carton. The tracking number is located on the Cedar Summit ID Plaque (9320357).
- Please retain this information for future reference. You will need this information if you contact the Consumer Relations Department.

MODEL NUMBER: Next Generation ECHO

CARTON I.D. STAMP: ___ ___ ___ ___ 14459 ___ (Box 1)

CARTON I.D. STAMP: ___ ___ ___ ___ 14459 ___ (Box 4)

CARTON I.D. STAMP: ___ ___ ___ ___ 14459 ___ (Box 2)

CARTON I.D. STAMP: ___ ___ ___ ___ 14459 ___ (Box 5)

CARTON I.D. STAMP: ___ ___ ___ ___ 14459 ___ (Box 3)

CARTON I.D. STAMP: ___ ___ ___ ___ 14459 ___ (Box 6)

TRACKING NUMBER (from ID Plaque): _____

Step 1: Front and Back Wall Prep Part 1



It is important to assemble the frame on a flat, smooth surface.

A: Place (2771) End Post and (2770) End Post Left side by side with the grooves facing up and in. Put (2770) End Post Left on the right hand side. Place (2775) Panel Cross Support in the top grooves, (2772) Panel Floor Support in the middle grooves and (2769) Panel BT Frame in the bottom grooves. (fig. 1.1).

B: Make sure assembly is square then attach with 4 (S30) Wood Screws per board. (fig. 1.1)

C: Tap 3 (TN1) T-nuts in (2775) Panel Cross Support and (2772) Panel Floor Support and 2 in (2769) Panel BT Frame. (fig. 1.1 and 1.2)

Fig. 1.1

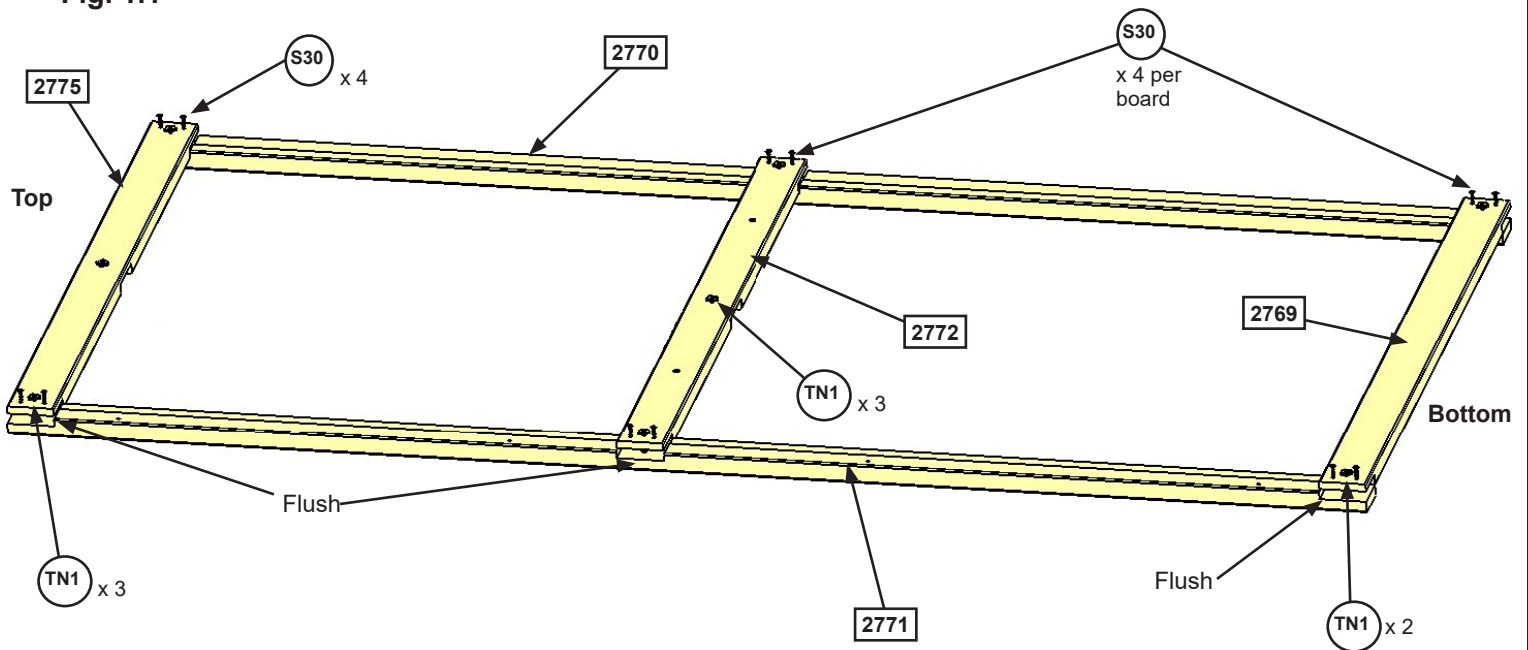
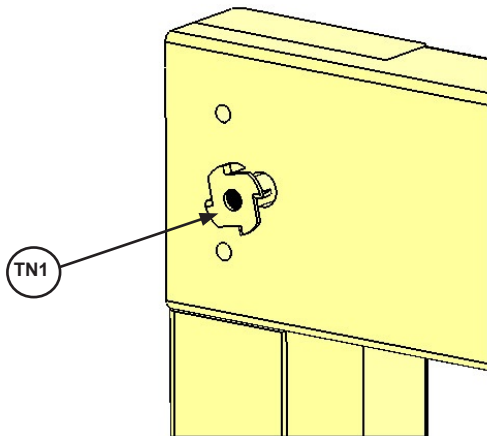


Fig. 1.2



Wood Parts

- 2 x (2771) End Post
- 2 x (2770) End Post Left
- 2 x (2775) Panel Cross Support
- 2 x (2772) Panel Floor Support
- 2 x (2769) Panel BT Frame

Hardware

- 24 x (S30) Wood Screw
- 16 x (TN1) T-nut

Step 1: Front and Back Wall Prep Part 2



It is important to assemble the frame on a flat, smooth surface.

D: Turn the assembly over, place (2774) Upright in the middle grooves of (2775) Panel Cross Support and (2772) Panel Floor Support then attach all boards with 8 (H9) Hex Bolts (with lock washer and flat washer) connecting to the previously installed t-nuts. (fig. 1.3 and 1.4)

E: Repeat steps A-D for a second assembly.

Fig. 1.3

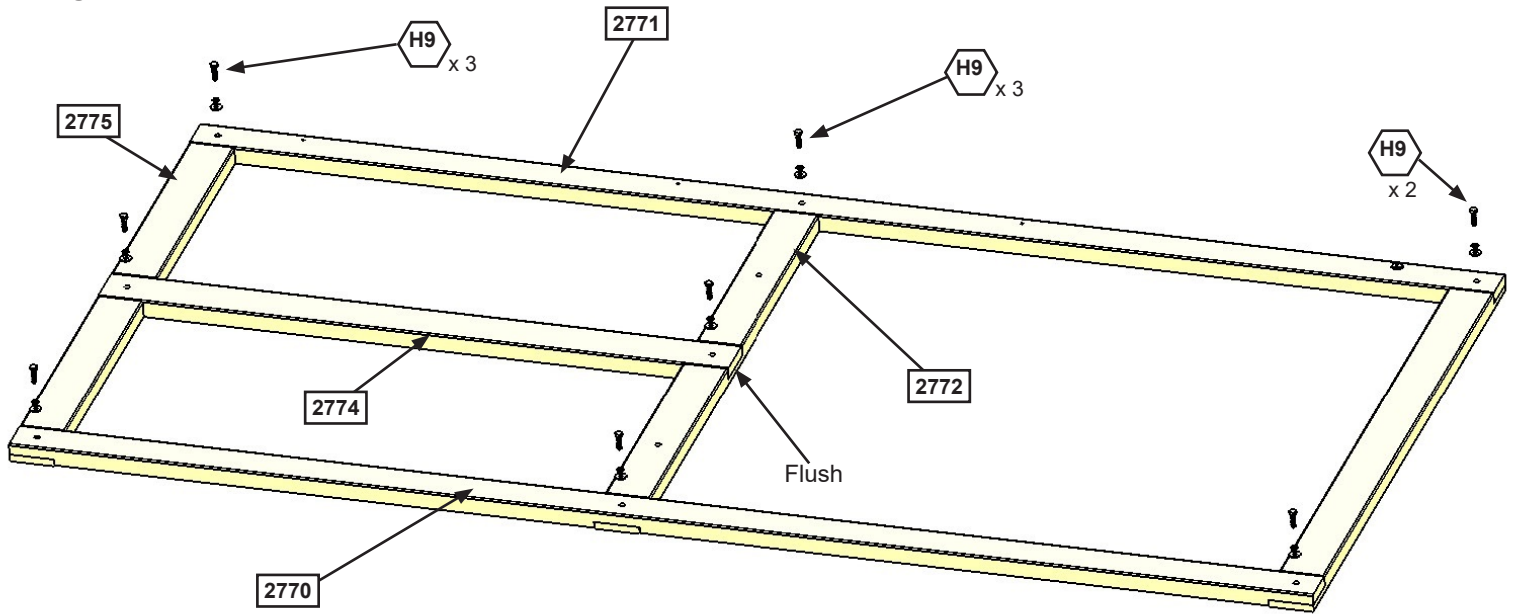
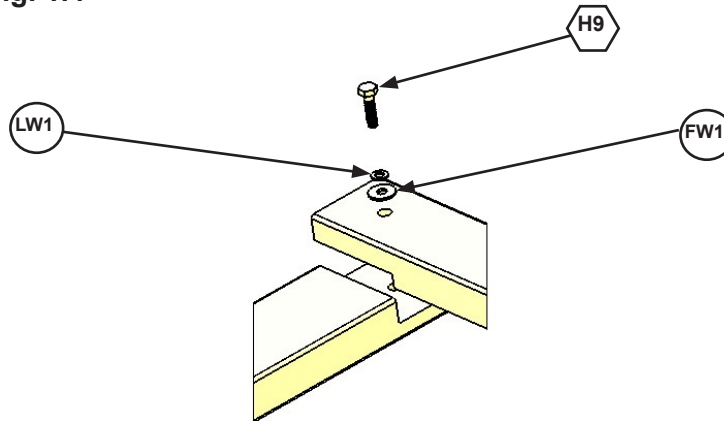


Fig. 1.4



Wood Parts

2 x 2774 Upright

Hardware

16 x H9 Hex Bolt
(lock washer & flat washer)

Step 2: End Wall Prep Part 1



It is important to assemble the frame on a flat, smooth surface.

A: Place (2768) Panel Floor and 2 (2769) Panel BT Frames on a hard, flat surface with the long side up. Tap in 2 (TN1) T-nuts per board. (fig. 2.1)

B: Place (2771) End Post and (2770) End Post Left side by side with the grooves facing up and in. (2770) End Post Left on the right hand side. Place (2769) Panel BT Frames in the top and bottom grooves (2768) Panel Floor in the middle grooves. (fig. 2.2).

C: Make sure assembly is square then attach with 4 (S30) Wood Screws per board. (fig. 2.2)

Fig. 2.1

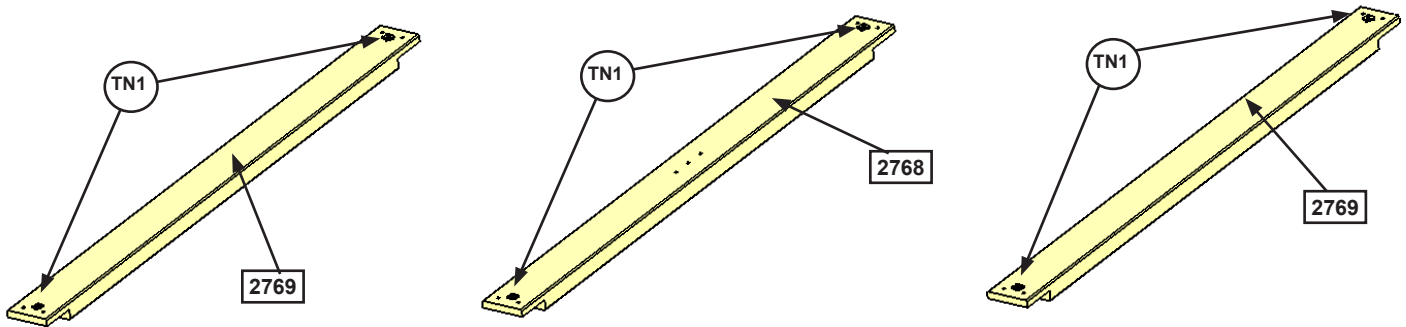
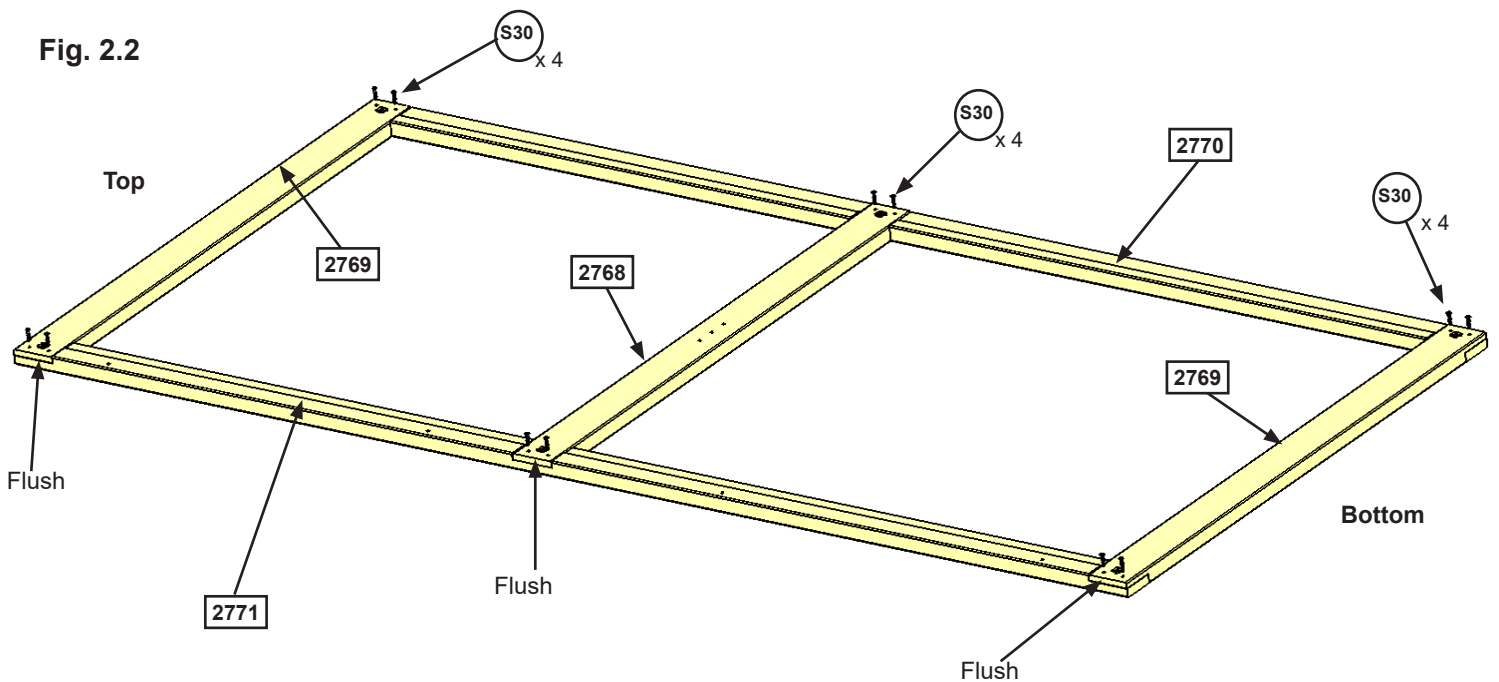


Fig. 2.2



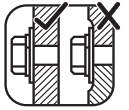
Wood Parts

- 1 x Panel Floor
- 2 x Panel BT Frame
- 1 x End Post
- 1 x End Post Left

Hardware

- 12 x Wood Screw
- 6 x T-nut

Step 2: End Wall Prep Part 2



It is important to assemble the frame on a flat, smooth surface.

D: Turn the assembly over then attach all boards with 6 (H9) Hex Bolts (with lock washer and flat washer) connecting to the previously installed t-nuts. (fig. 2.3 and 2.4)

Fig. 2.3

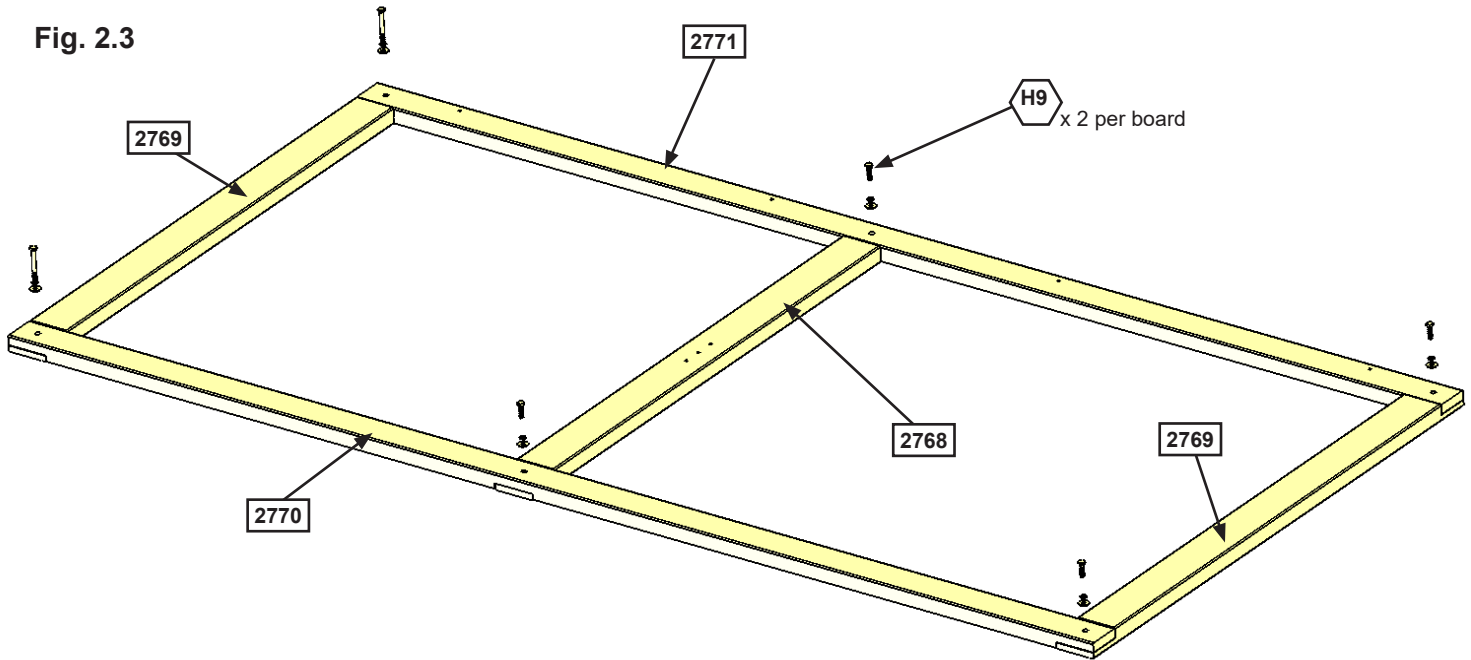
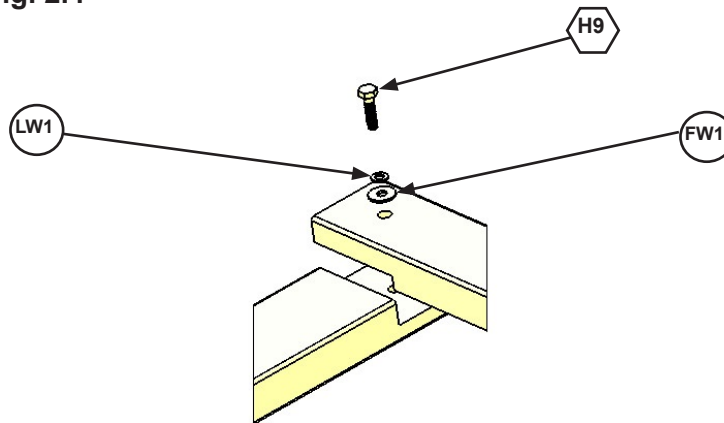


Fig. 2.4



Hardware

6 x  Hex Bolt
(lock washer & flat washer)

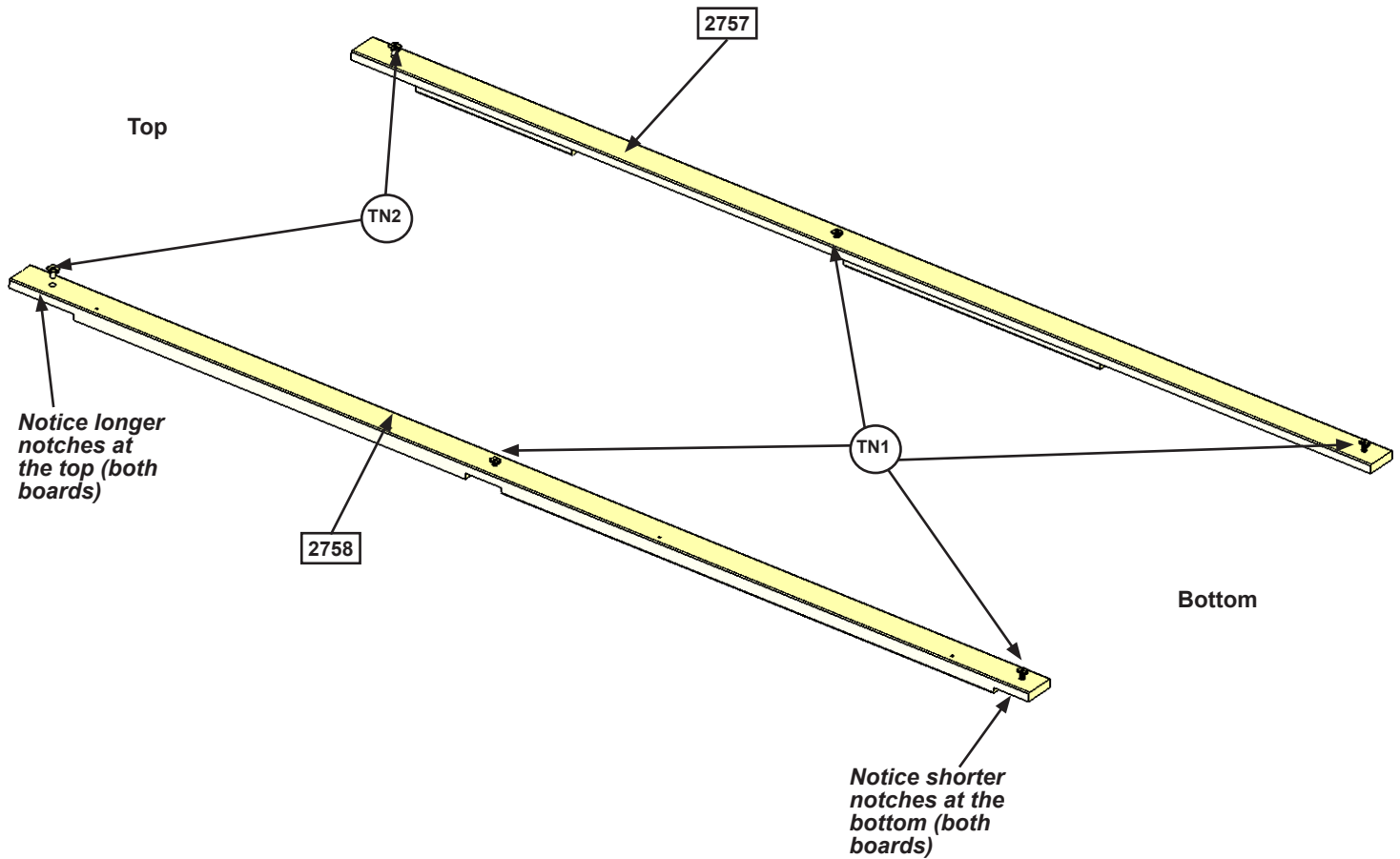
Step 3: Swing Wall Prep Part 1

It is important to assemble the frame on a flat, smooth surface.

A: Place (2757) LT Post Assembly and (2758) RT Post Assembly on a hard, flat surface with the notches facing down. The top of the post assemblies have the longer notches. (fig. 3.1)

B: Tap 1 (TN2) T-nut in the top holes and 1 (TN1) T-nut in the middle and bottom holes. (fig. 3.1).

Fig. 3.1



Wood Parts

- 1 x LT Post Assembly
- 1 x RT Post Assembly

Hardware

- 2 x T-nut
- 4 x T-nut

Step 3: Swing Wall Prep Part 2



It is important to assemble the frame on a flat, smooth surface.

C: Turn the (2757) LT Post Assembly and (2758) RT Post Assembly over and place 2 (2756) Siding Assemblies on top so one sits flush with the top of the middle groove and the second fits flush with the top of the bottom groove. (fig. 3.2 and 3.3)

D: Place (2630) SW Top in the top grooves, (2768) Panel Floor in the middle grooves and (2769) Panel BT Frame in the bottom grooves so they sit flush to the outside edges of (2757) LT Post Assembly and (2758) RT Post Assembly. Make sure the assembly is square then attach with 4 (S30) Wood Screws per board. (fig. 3.4).

Fig. 3.2

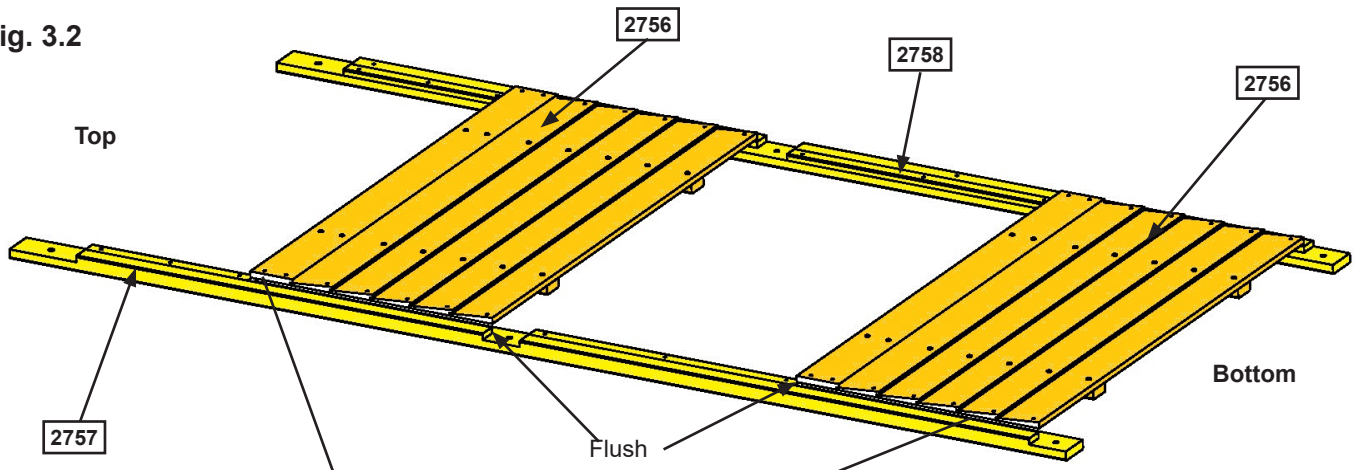
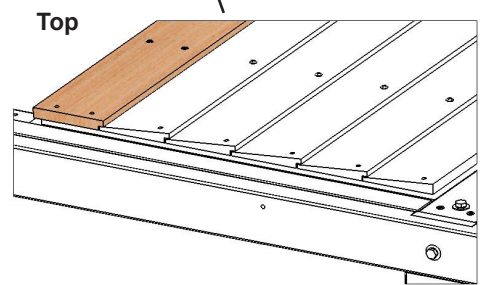
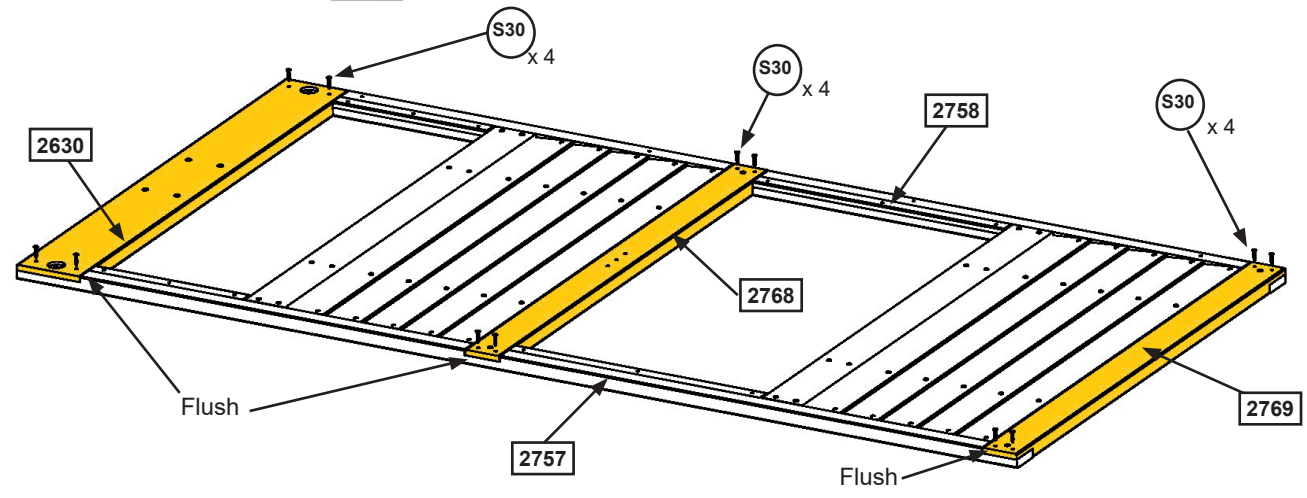


Fig. 3.3



Notice Orientation of both (2756) Siding Assemblies.

Fig. 3.4



- Wood Parts**
- 2 x 2756 Siding Assembly
 - 1 x 2630 SW Top
 - 1 x 2768 Panel Floor
 - 1 x 2769 Panel BT Frame

- Hardware**
- 12 x S30 Wood Screw

Step 3: Swing Wall Prep Part 3



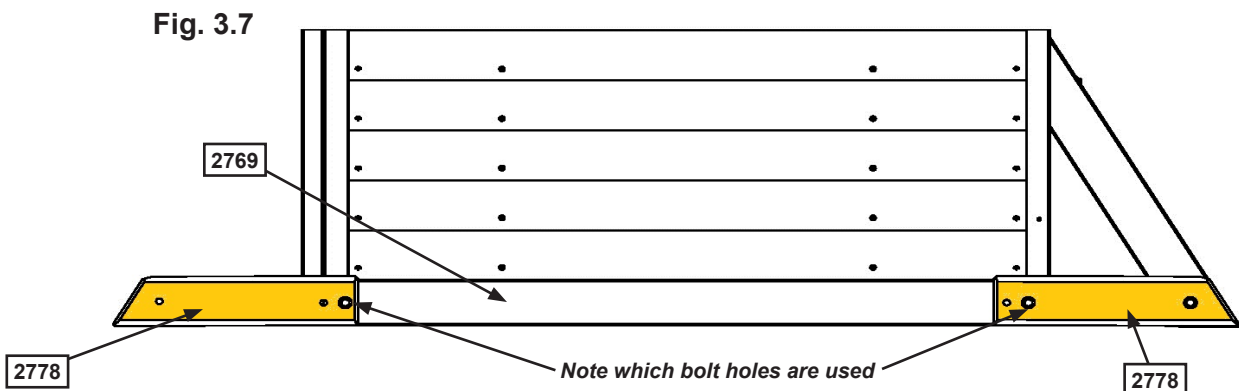
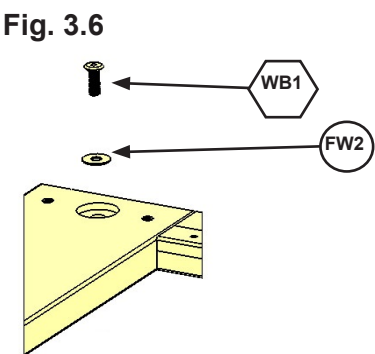
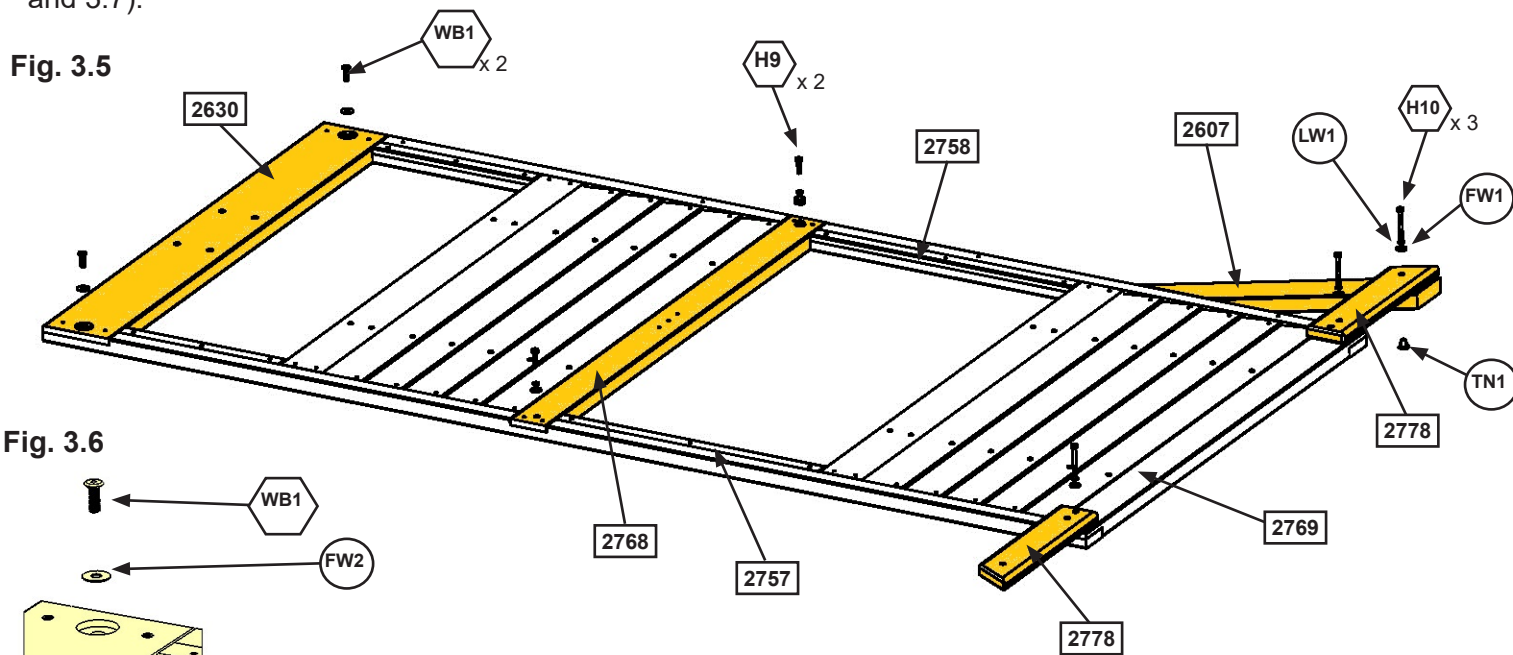
It is important to assemble the frame on a flat, smooth surface.

E: Attach (2630) SW Top to (2757) LT Post Assembly and (2758) RT Post Assembly with 2 (WB1) Wafer Bolts (with flat washer) connecting to previously installed t-nuts. (fig. 3.5 and 3.6)

F: Attach (2768) Panel Floor to (2757) LT Post Assembly and (2758) RT Post Assembly with 2 (H9) Hex Bolts (with lock washer and flat washer) connecting to previously installed t-nuts. (fig. 3.5).

G: Place 1 (2778) SW Ground MOD to each side of (2769) Panel BT Frame, notice the hole locations and attach with 1 (H10) Hex Bolt (with lock washer and flat washer) per board connecting to previously installed t-nuts. (fig. 3.5 and 3.7).

H: Place 1 (2607) Diagonal under (2778) SW Ground MOD on the right hand side so the top sits against (2758) RT Post Assembly and loosely attach with 1 (H10) Hex Bolt (with lock washer, flat washer and t-nut). (fig. 3.5 and 3.7).



Wood Parts

- 2 x 2778 SW Ground MOD
- 1 x 2607 Diagonal

Hardware

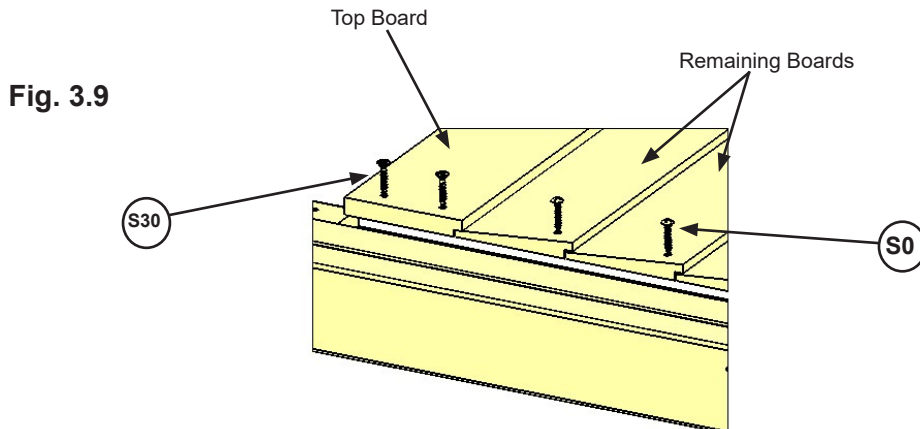
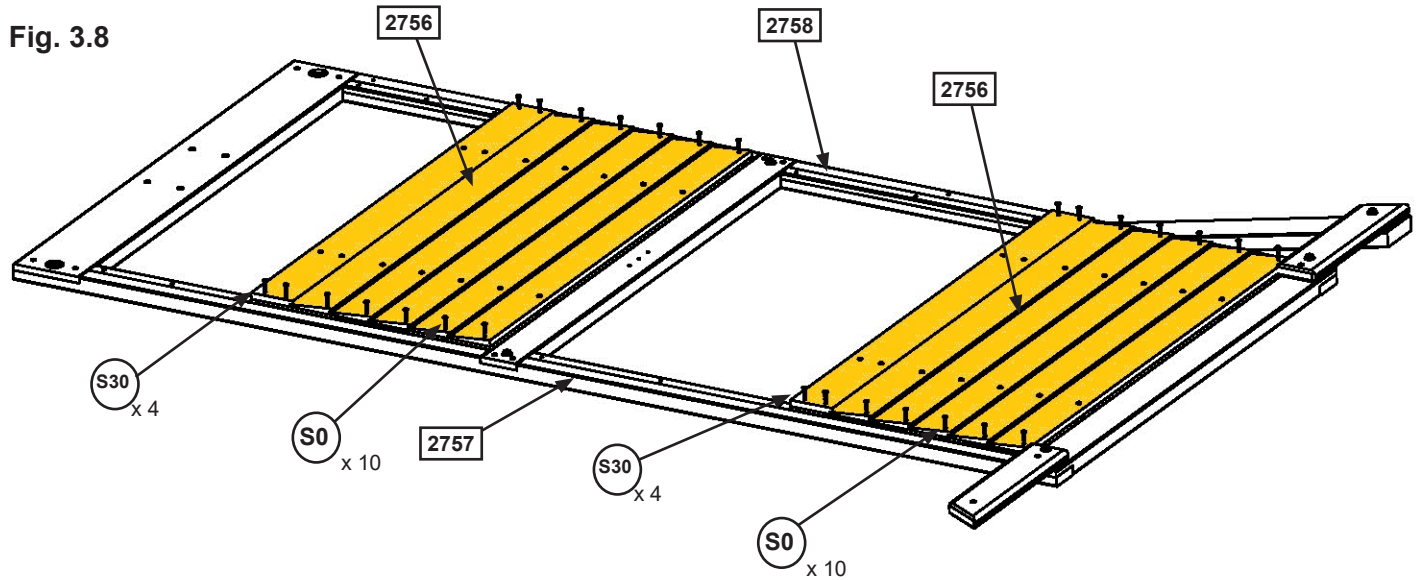
- 2 x WB1 Wafer Bolt (flat washer)
- 2 x H9 Hex Bolt (lock washer, flat washer)
- 3 x H10 Hex Bolt (lock washer, flat washer and 1 t-nut)

Step 3: Swing Wall Prep Part 4

It is important to assemble the frame on a flat, smooth surface.

I: Attach the top board in each (2756) Siding Assembly to (2757) LT Post Assembly and (2758) RT Post Assembly with 4 (S30) Wood Screws per board. (fig. 3.8 and 3.9)

J: Attach the remaining boards in each (2756) Siding Assembly to (2757) LT Post Assembly and (2758) RT Post Assembly with 2 (S0) Truss Screws per board. (fig. 3.8 and 3.9)



Hardware

- 8 x (S30) Wood Screw
- 20 x (S0) Truss Screw

Step 4: Frame Assembly Part 1



It is important to assemble the frame on a flat, smooth surface.

A: Place Swing Wall from Step 3 between 2 Front and Back Walls from Step 1, noticing the wall orientations. The tops and bottoms of the walls should be flush. Make sure the walls are square then using the pilot holes as a guide pre-drill with a 3/16" (4.8 mm) drill bit and fasten the Front Wall to the Swing Wall and Swing Wall to the Back Wall with 4 (WL5) Wafer Lags per side. (fig. 4.1, 4.2 and 4.3)

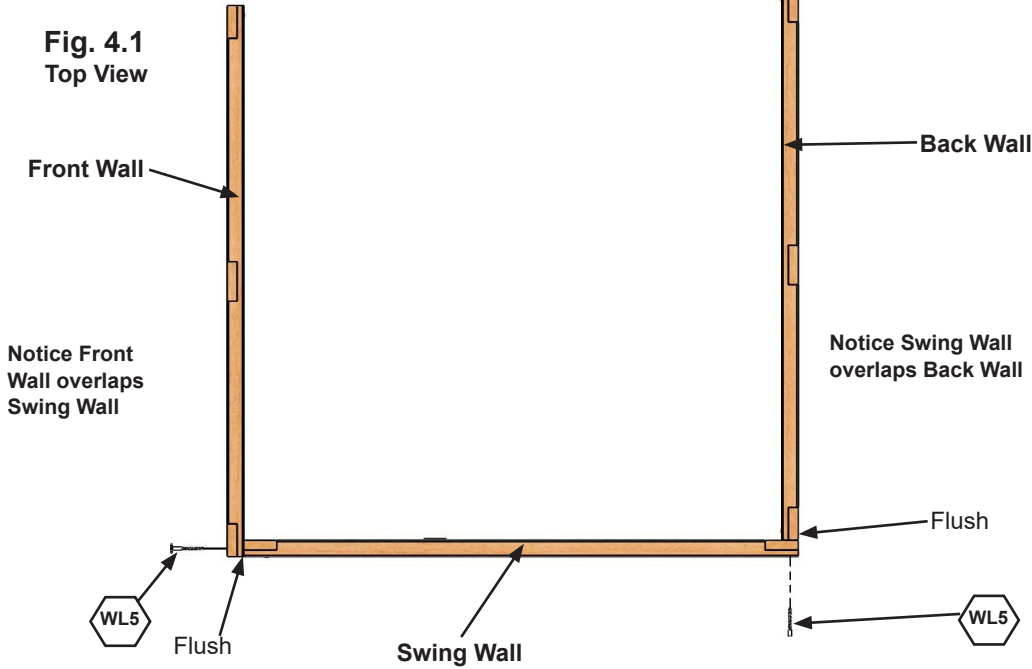
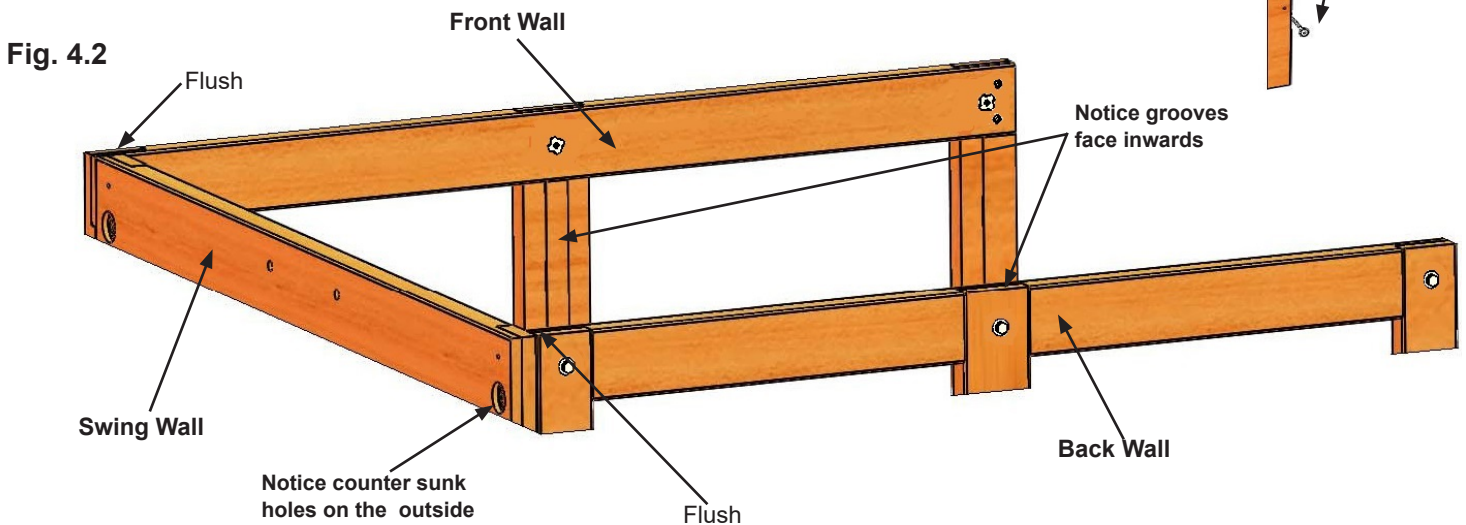
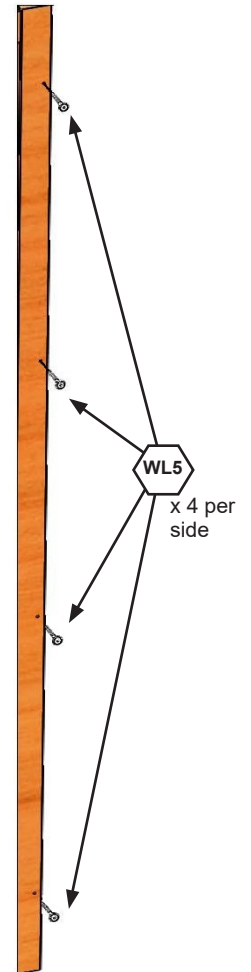



Fig. 4.3



Hardware

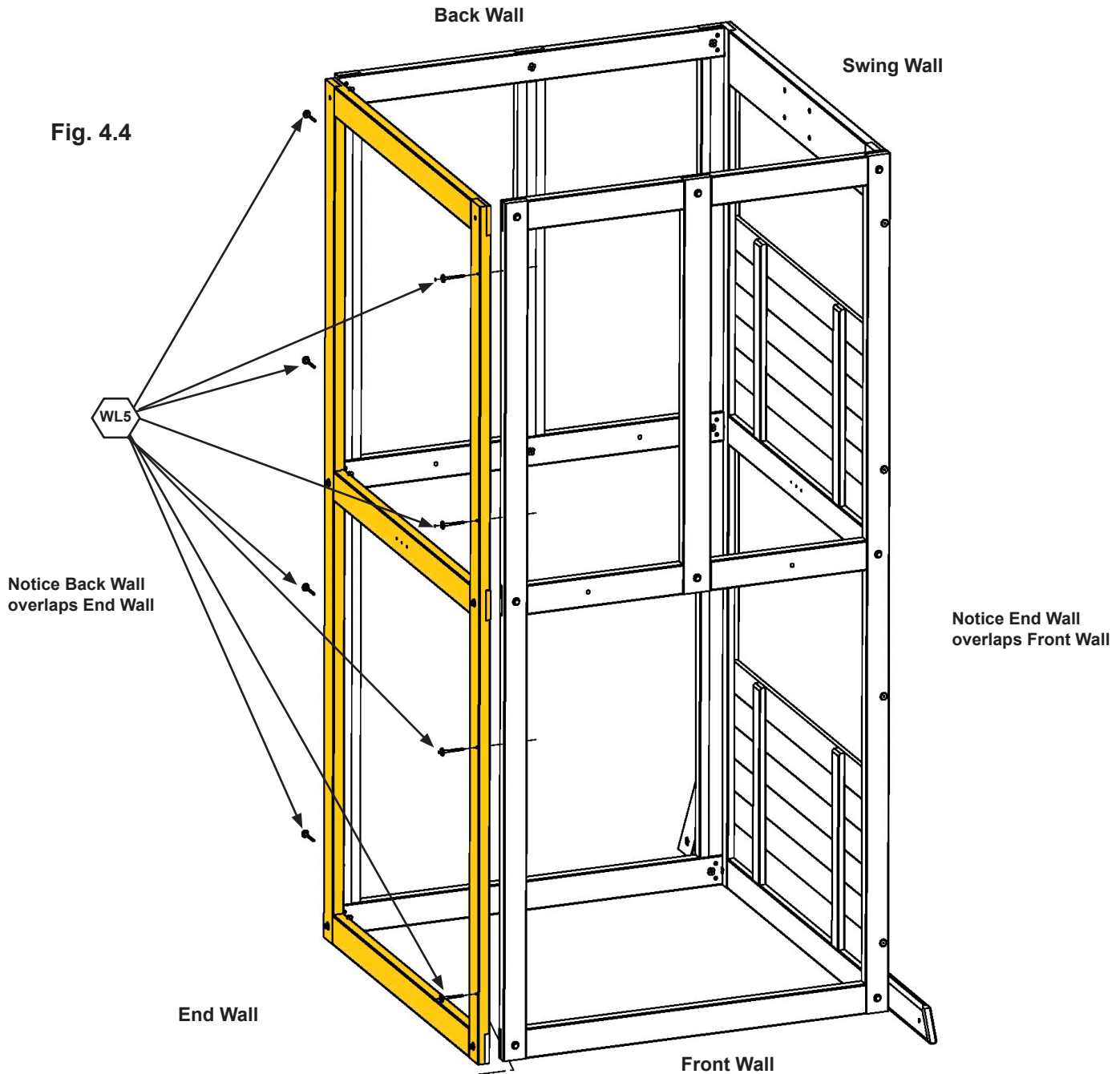
8 x  Wafer Lag

Step 4: Frame Assembly Part 2



B: Place End Wall from Step 2 between the Front Wall and Back Wall noticing the wall orientation. The tops and bottoms of the walls should be flush. Make sure the walls are square then using the pilot holes as a guide pre-drill with a 3/16" (4.8 mm) drill bit and fasten the Back Wall to the End Wall and End Wall to the Front Wall with 4 (WL5) Wafer Lags per side. (fig. 4.4)

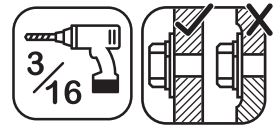
Fig. 4.4



Hardware

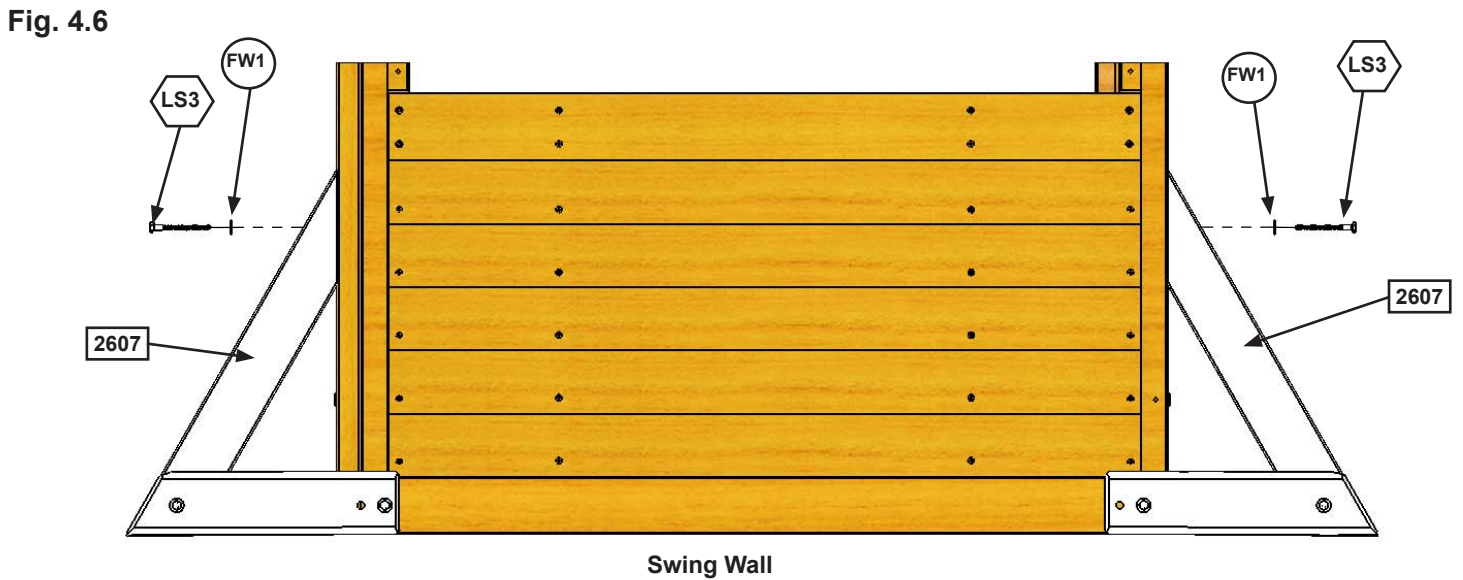
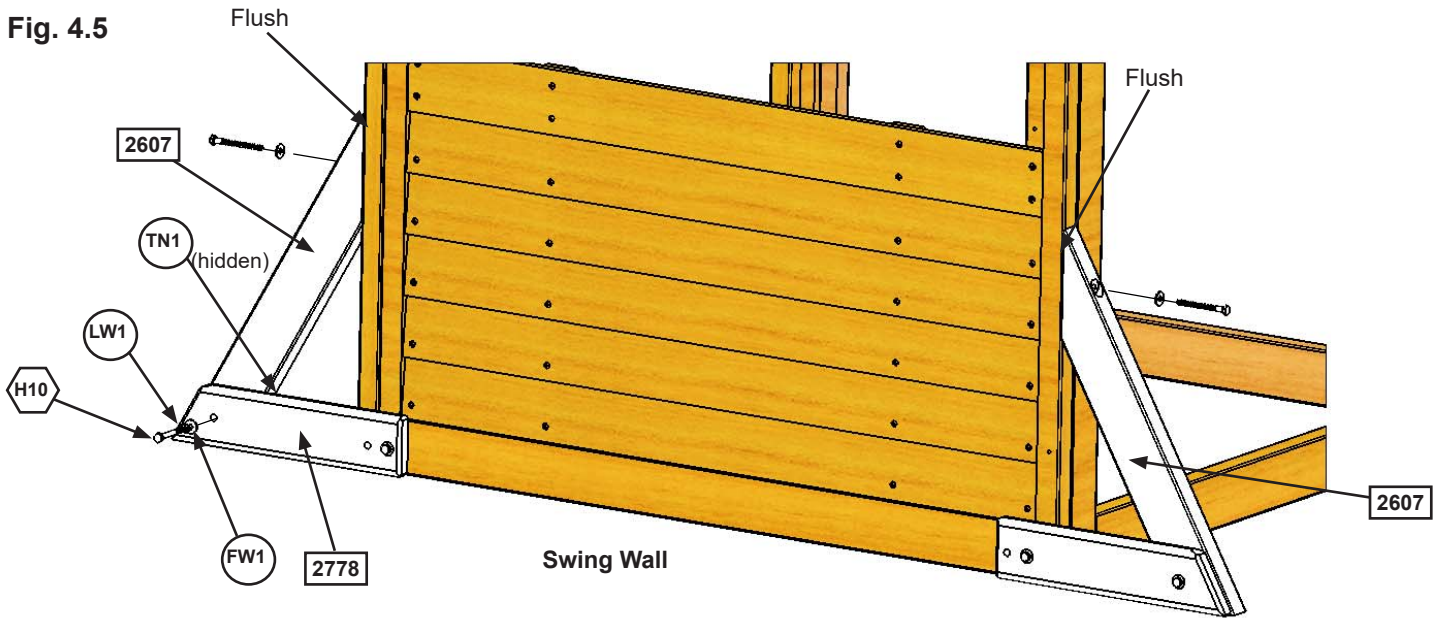
8 x  Wafer Lag

Step 4: Frame Assembly Part 3



C: Loosely attach 1 (2607) Diagonal to left (2778) SW Ground MOD with 1 (H10) Hex Bolt (with lock washer, flat washer and t-nut). (fig. 4.5)

D: Place each (2607) Diagonal tight and flush to the front of the Swing Wall then pre-drill pilot holes with a 3/16" (4.8 mm) drill bit and attach each (2607) Diagonal to the Swing Wall with 1 (LS3) Lag Screw (with flat washer) per board, checking that they remain flush to outside edge. (fig. 4.5 and 4.6)



Wood Parts

1 x **2607** Diagonal

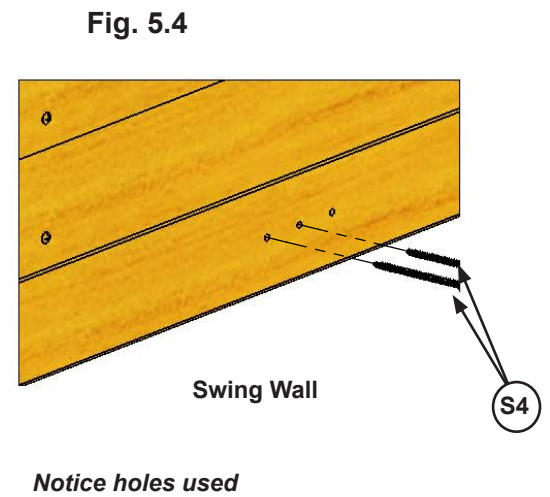
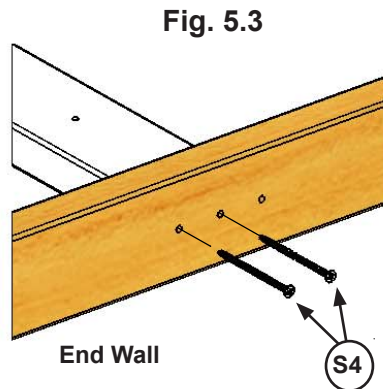
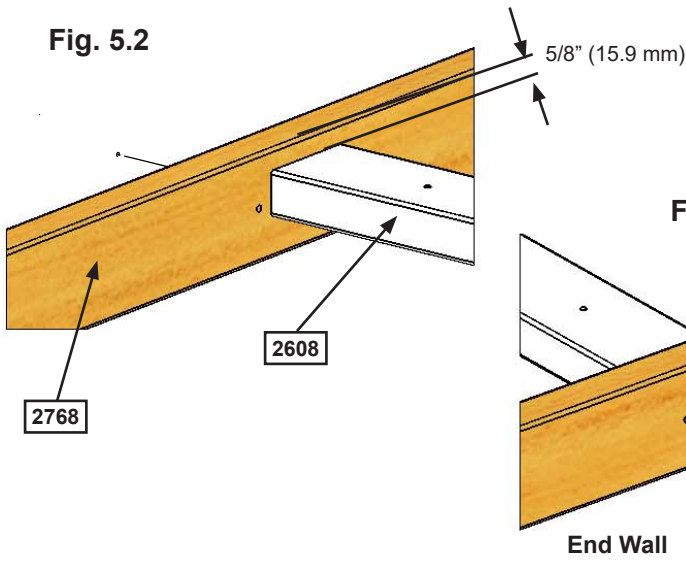
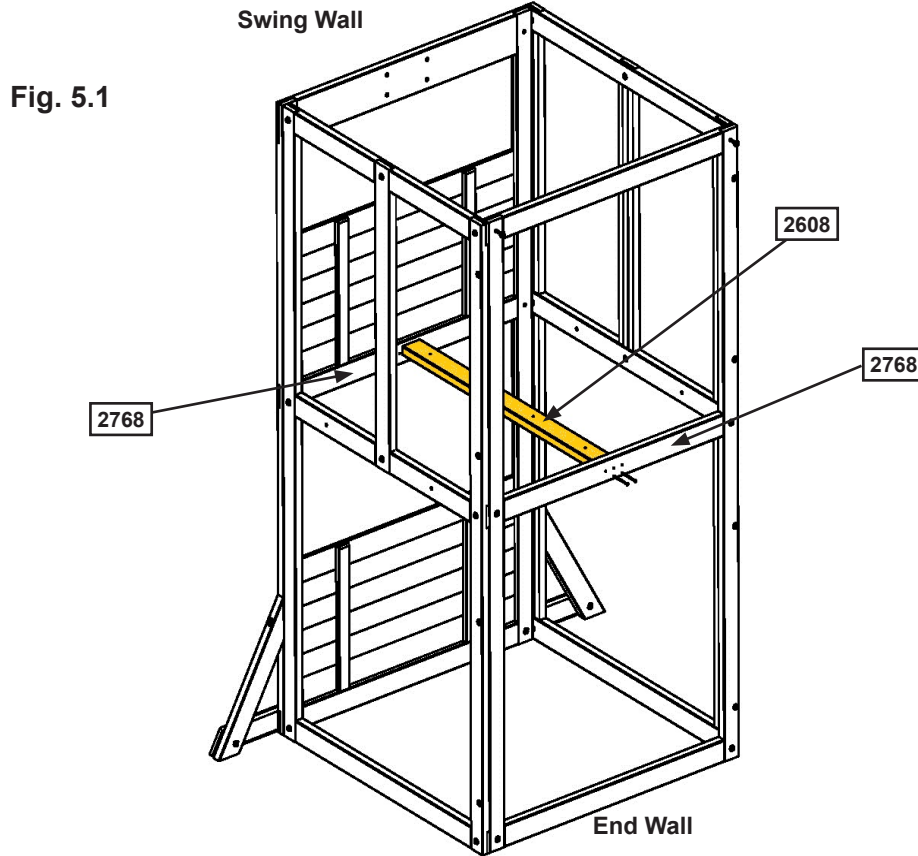
Hardware

1 x Hex Bolt (lock washer, flat washer, t-nut)
2 x Lag Screw (flat washer)

Step 5: Floor Assembly Part 1



A: From inside of the assembly centre (2608) Floor Joist over the pilot holes in both (2768) Panel Floors in the Swing and End Walls, measure 5/8" (15.9 mm) down from the top of boards then attach (2608) Floor Joist to each board using the left and centre holes with 2 (S4) Wood Screws per board. (fig.5.1, 5.2, 5.3 and 5.4)



Wood Parts

1 x 2608 Floor Joist

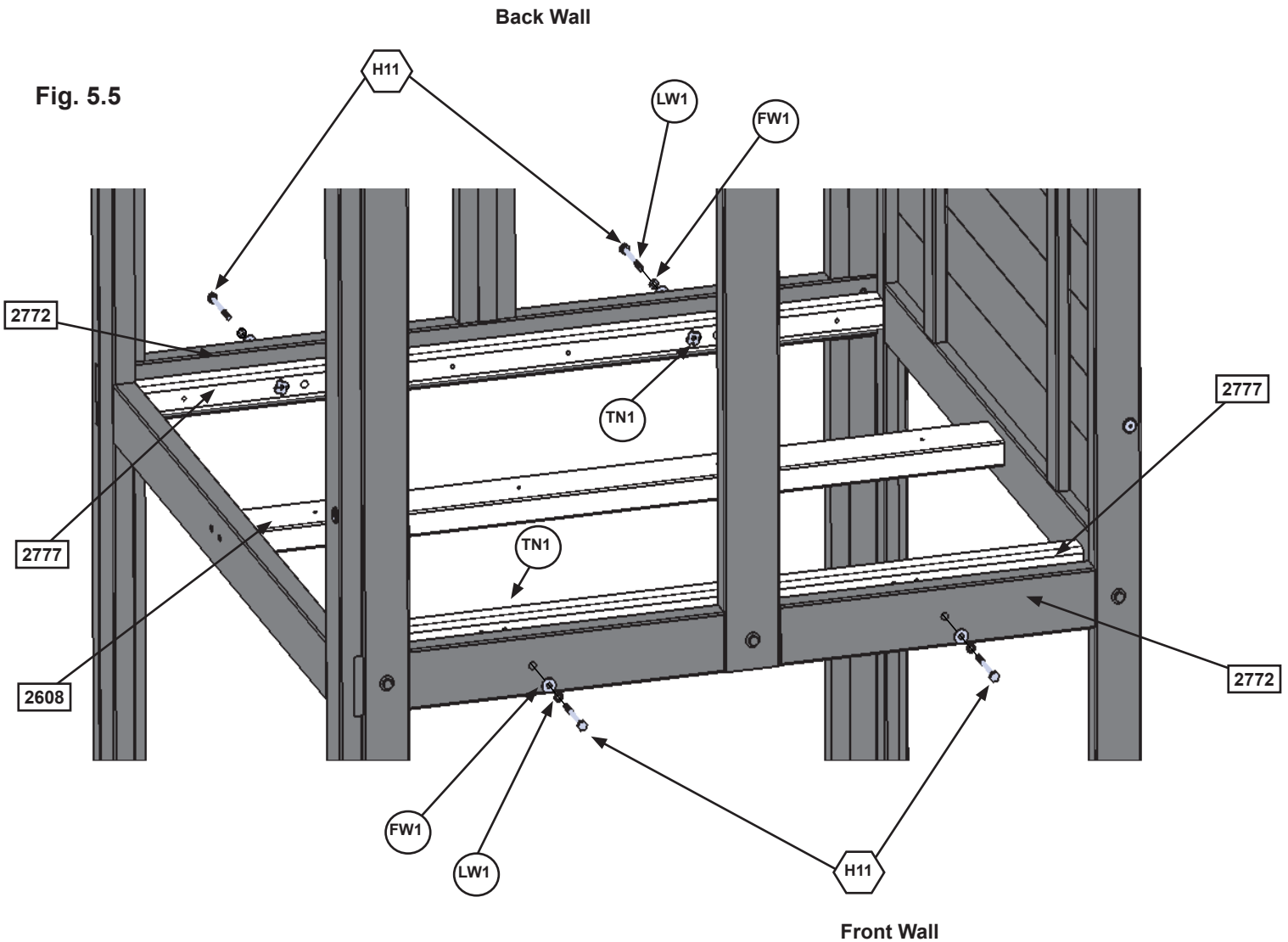
Hardware

4 x S4 Wood Screw

Step 5: Floor Assembly Part 2



B: On the inside of both the Front and Back Walls loosely attach 1 (2777) Side Joist MOD to each (2772) Panel Floor Support with 2 (H11) Hex Bolts (with lock washer, flat washer and t-nut) as shown in fig. 5.5. Make sure both (2777) Side Joist MODs are level with (2608) Floor Joist.



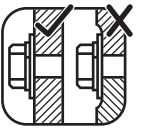
Wood Parts

2 x 2777 Side Joist MOD

Hardware

4 x H11 Hex Bolt
(lock washer, flat washer, t-nut)

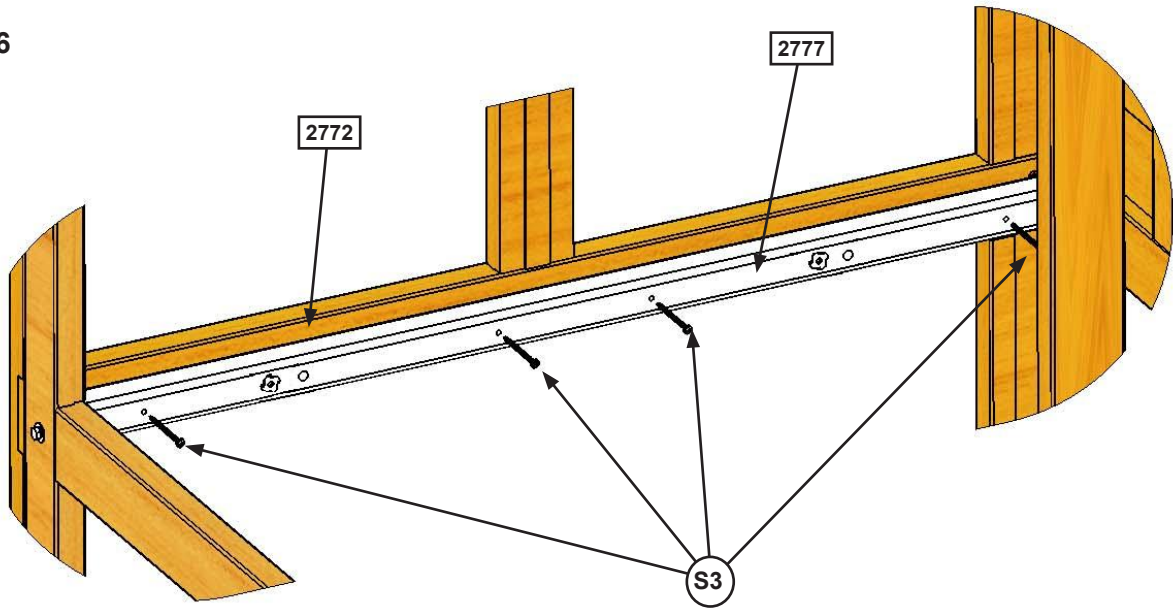
Step 5: Floor Assembly Part 3



C: Fasten each (2777) Side Joist MOD to each (2772) Panel Floor Support with 4 (S3) Wood Screws per board as shown in fig. 5.6.

D: Tighten all (H11) Hex Bolts in both (2777) Side Joist MOD.

Fig. 5.6



Hardware

8 x  Wood Screw

Step 5: Floor Assembly Part 4

E: Starting at the Swing Wall place (2648) Floor Board followed by 8 (2609) Floor Boards. Make sure all boards are evenly spaced then attach to (2608) Floor Joist and each (2777) Side Joist MOD with 5 (S20) Wood Screws per board. (fig. 5.7 and 5.8)

Fig. 5.7

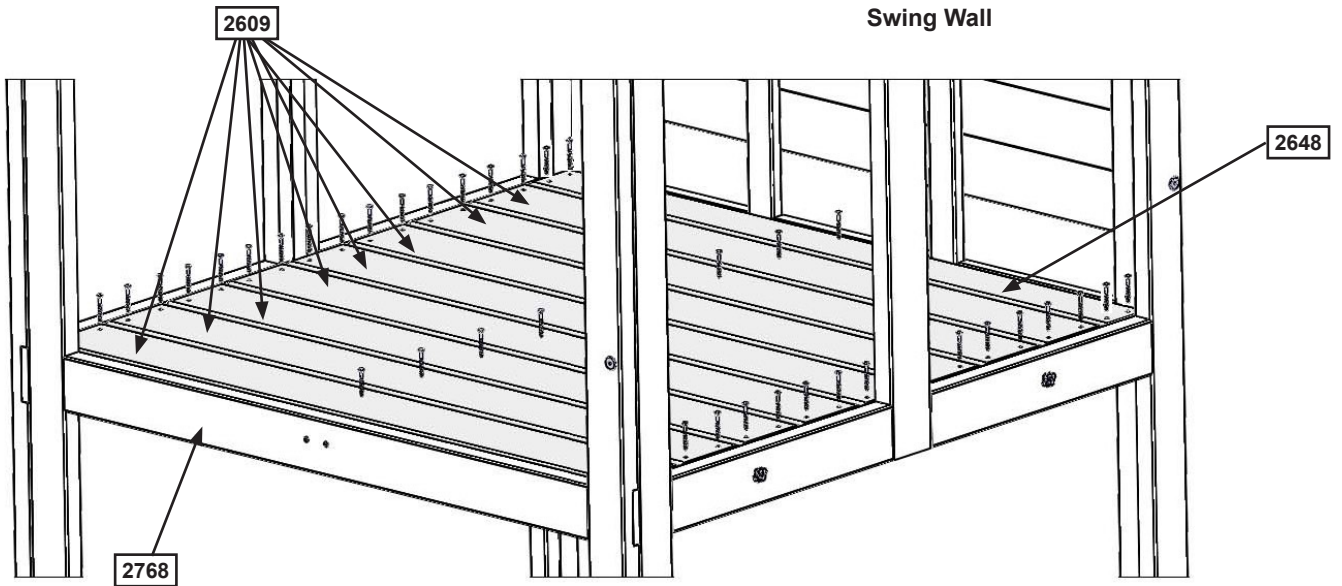
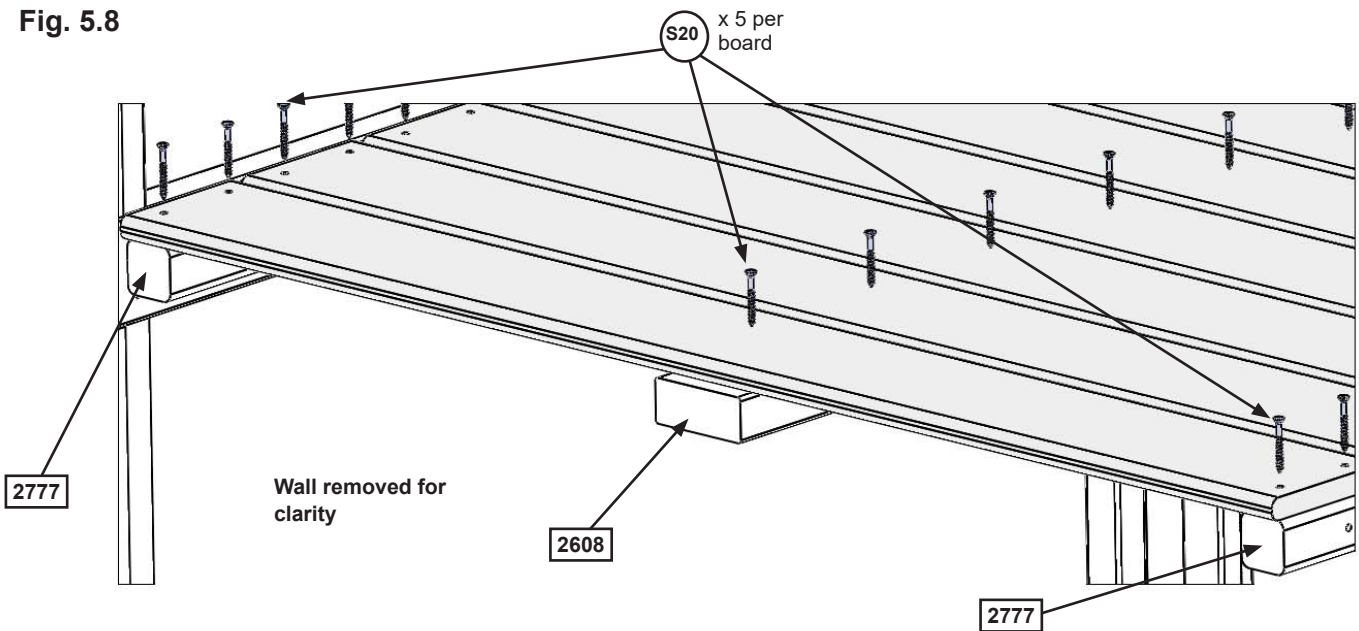


Fig. 5.8



Wood Parts

- 1 x 2648 Floor Board
- 8 x 2609 Floor Board

Hardware

- 45 x S20 Wood Screw

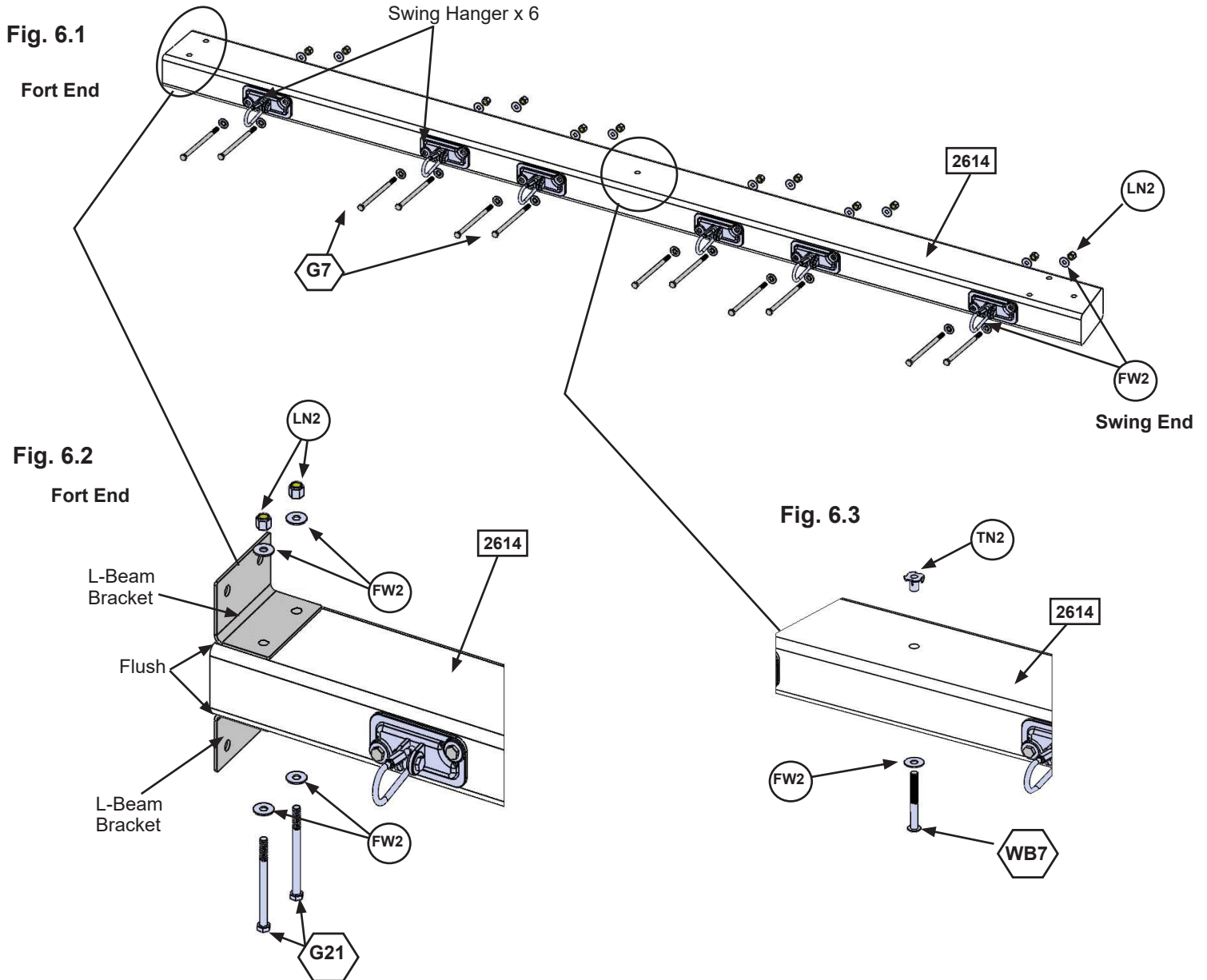
Step 6: Swing Beam Assembly



A: Attach 6 Swing Hangers to the (2614) Engineered Beam using 2 (G7) Hex Bolts (with 2 flat washers and 1 lock nut) per Swing Hanger as shown in fig. 6.1.

B: Flush to the Fort End of (2614) Engineered Beam attach 2 L-Beam Brackets with 2 (G21) Hex Bolts (with 2 flat washers and 1 lock nut). (fig. 6.1 and 6.2)

C: Install 1 (WB7) Wafer Bolt (with flat washer and t-nut) in the middle bolt hole in (2614) Engineered Beam as shown in fig. 6.3. **IT IS IMPORTANT THAT THIS BOLT IS ATTACHED. IT WILL MINIMIZE CHECKING OF WOOD.**



Wood Parts

1 x 2614 Engineered Beam

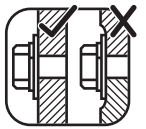
Hardware

- 12 x G7 Hex Bolt (flat washer x 2, lock nut)
- 2 x G21 Hex Bolt (flat washer x 2, lock nut)
- 1 x WB7 Wafer Bolt (flat washer & t-nut)

Other Parts

- 6 x Swing Hangers
- 2 x L-Beam Bracket

Step 7: Swing End Assembly

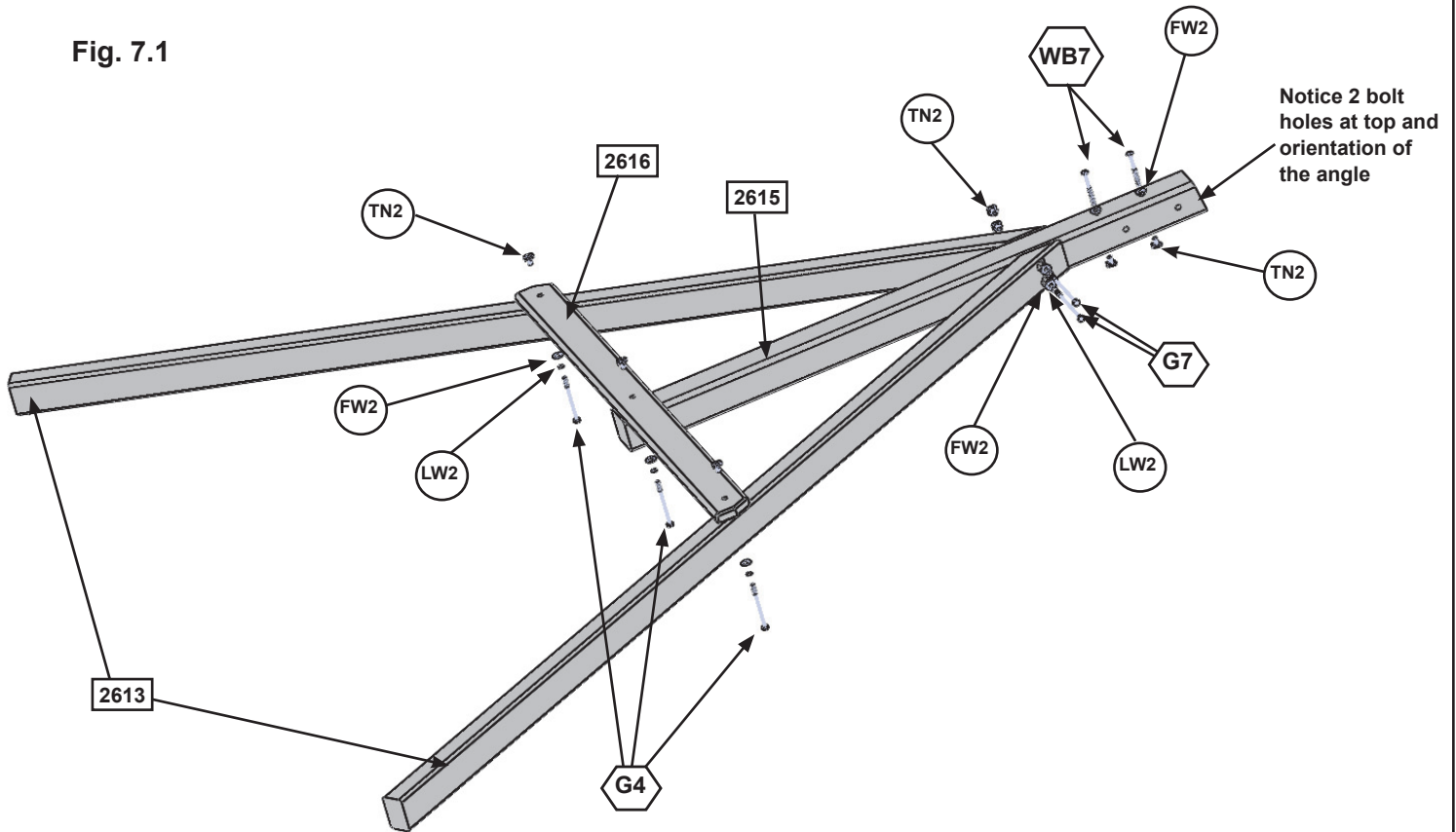


A: Loosely attach 2 (2613) Heavy SW Posts to (2615) SW Upright using 2 (G7) Hex Bolts (with lock washer, flat washer and t-nut). Notice 2 bolt holes at top of (2615) SW Upright and orientation of angle. (fig. 7.1)

B: Attach (2616) SW Support to both (2613) Heavy SW Posts and (2615) SW Upright using 3 (G4) Hex Bolts (with lock washer, flat washer and t-nut). Tighten all bolts (fig. 7.1)

C: Install 2 (WB7) Wafer Bolts (with flat washer and t-nut) in the top bolt holes in (2615) SW Upright as shown in fig. 7.1. **IT IS IMPORTANT THAT THESE BOLTS ARE ATTACHED. THEY WILL MINIMIZE CHECKING OF WOOD.**

Fig. 7.1



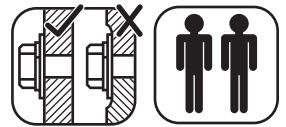
Wood Parts

- 2 x 2613 Heavy SW Post
- 1 x 2615 SW Upright
- 1 x 2616 SW Support

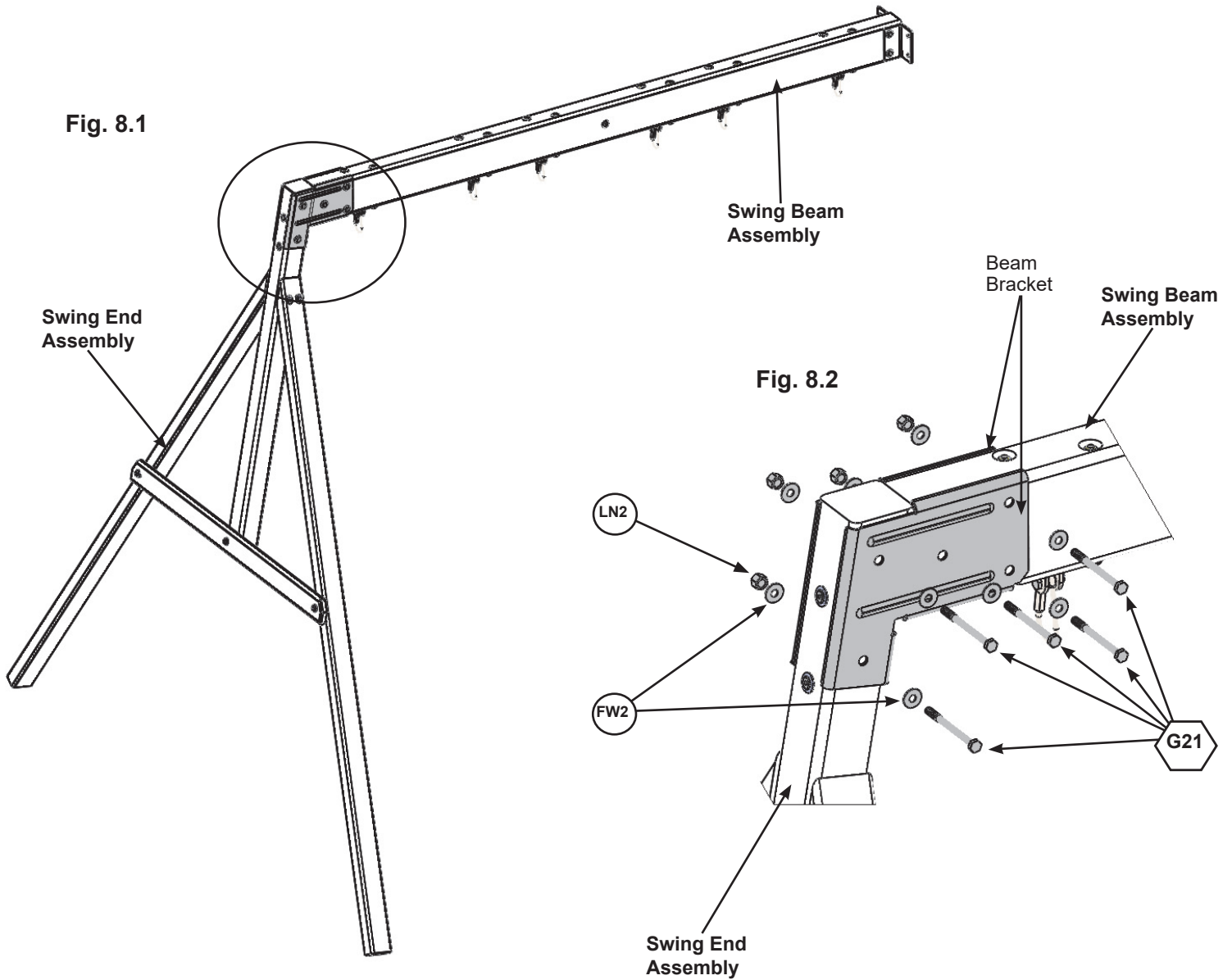
Hardware

- 2 x G7 Hex Bolt (lock washer, flat washer, t-nut)
- 3 x G4 Hex Bolt (lock washer, flat washer, t-nut)
- 2 x WB7 Wafer Bolt (flat washer & t-nut)

Step 8: Attach Swing End to Swing Beam



A: Place Swing End Assembly against Swing Beam Assembly then place 1 Beam Bracket on each side of the assembly (they are specific for left and right side) and attach with 5 (G21) Hex Bolts (with 2 flat washers and 1 lock nut). (fig. 8.1 and 8.2)



Hardware

5 x  Hex Bolt
(flat washer x 2, lock nut)

Other Parts

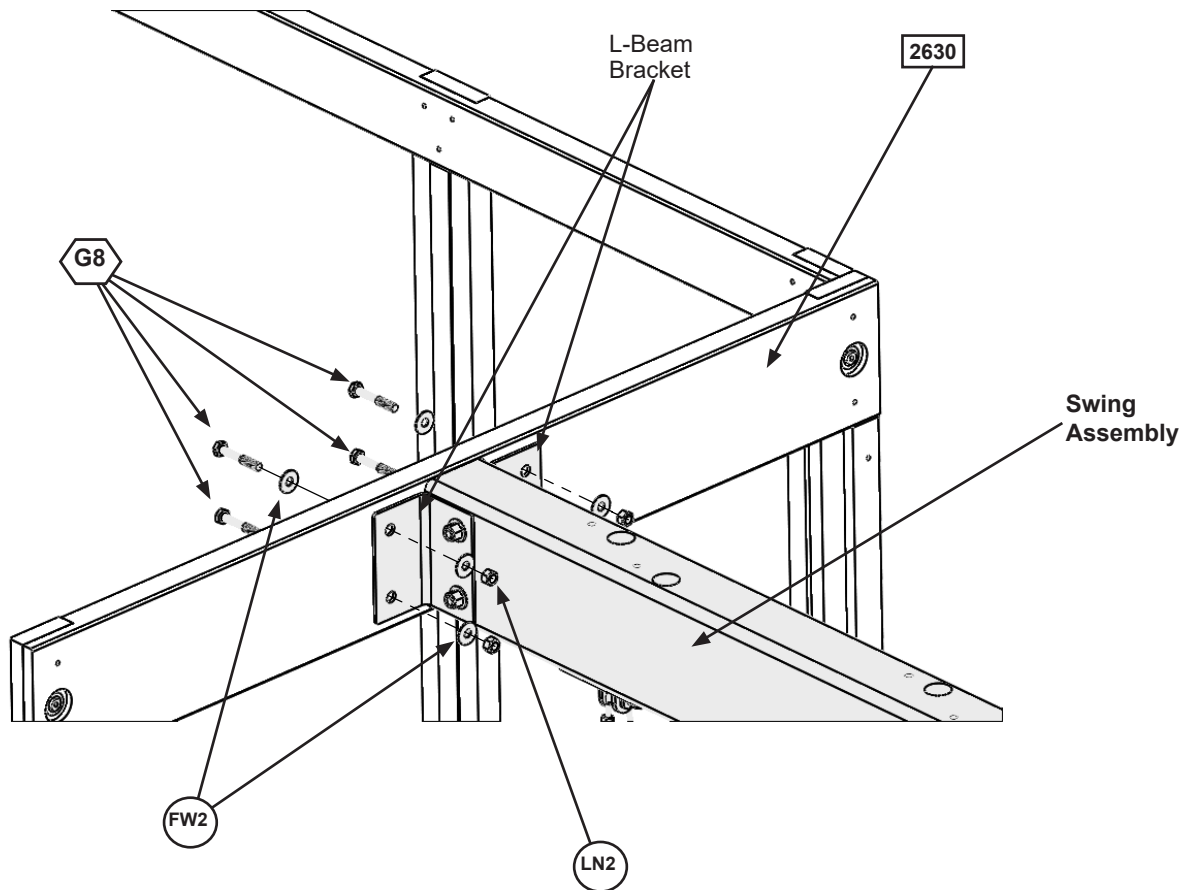
2 x Beam Bracket (Left/Right)

Step 9: Attach Swing Assembly To Fort



A: Place Swing Assembly against top of (2630) SW Top, make sure assembly is level then attach from inside the fort assembly into each L-Beam Bracket with 4 (G8) Hex Bolts (with 2 flat washers and 1 lock nut). (fig. 9.1)

Fig. 9.1



Hardware

4 x  Hex Bolt
(flat washer x 2, lock nut)

Step 10: Install Ground Stakes

MOVE FORT TO FINAL LOCATION PRIOR TO STAKING **FINAL LOCATION MUST BE LEVEL GROUND**

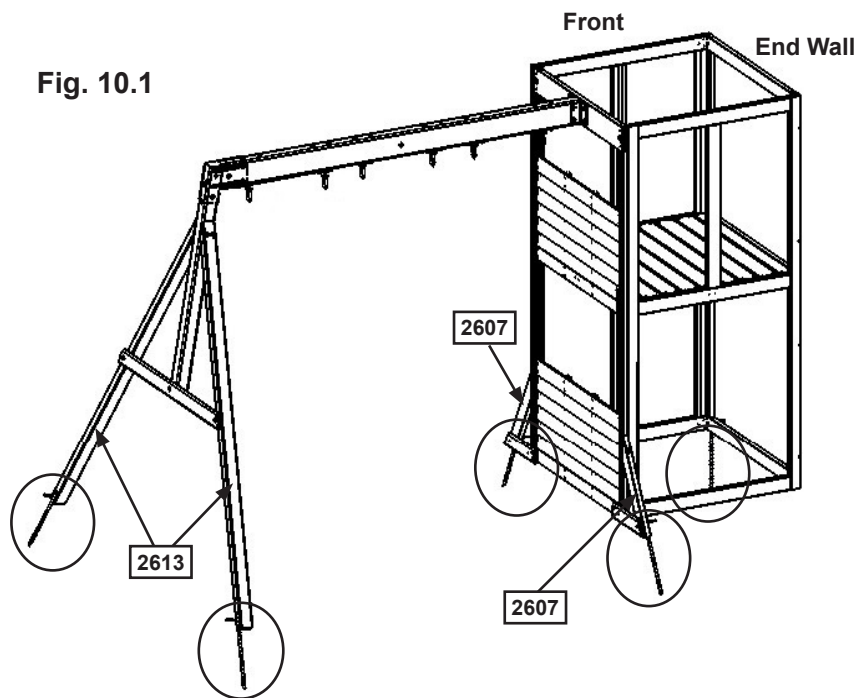
A: In the 5 places shown in fig. 10.1 drive the Rebar Ground Stakes 13" (330 mm) into the ground against outside front corner of the End Wall, on both (2607) Diagonals and both (2613) Heavy SW Posts. Be careful not to hit the washer while hammering stakes into the ground as this could cause the washer to break off.

B: Attach ground stakes using 1 (S7) Pan Screw per ground stake (fig. 10.2 and 10.3).

C: After driving stakes into the ground, check for sharp edges caused by the impact of the hammer. Smooth any sharp edges from impact area and touch up with outdoor paint.

⚠ Warning! To prevent tipping and avoid potential injury, stakes must be driven 13" (330 mm) into ground. Digging or driving stakes can be dangerous if you do not check first for under-ground wiring, cables or gas lines.

Fig. 10.1



**SEE FRONT COVER
FOR SAFETY CLEARANCE**

Fig. 10.2

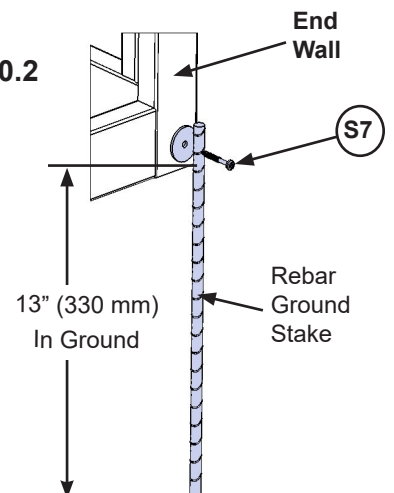
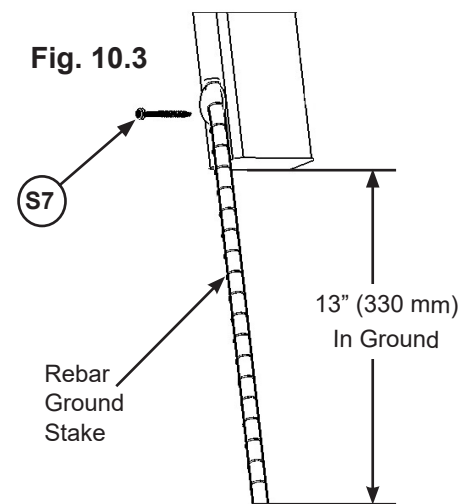


Fig. 10.3



Hardware

5 x (S7) Pan Screw

Other Parts

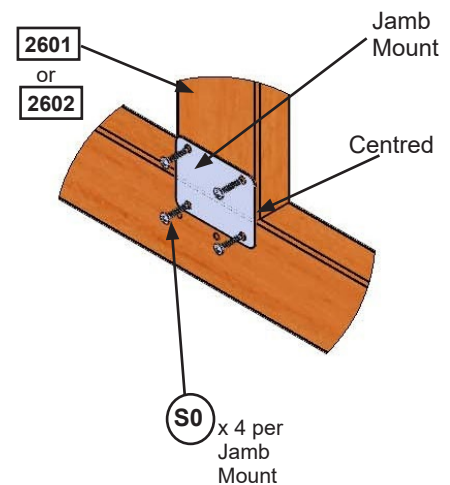
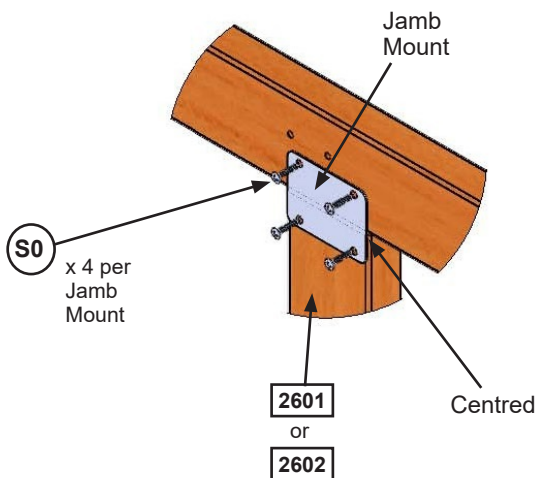
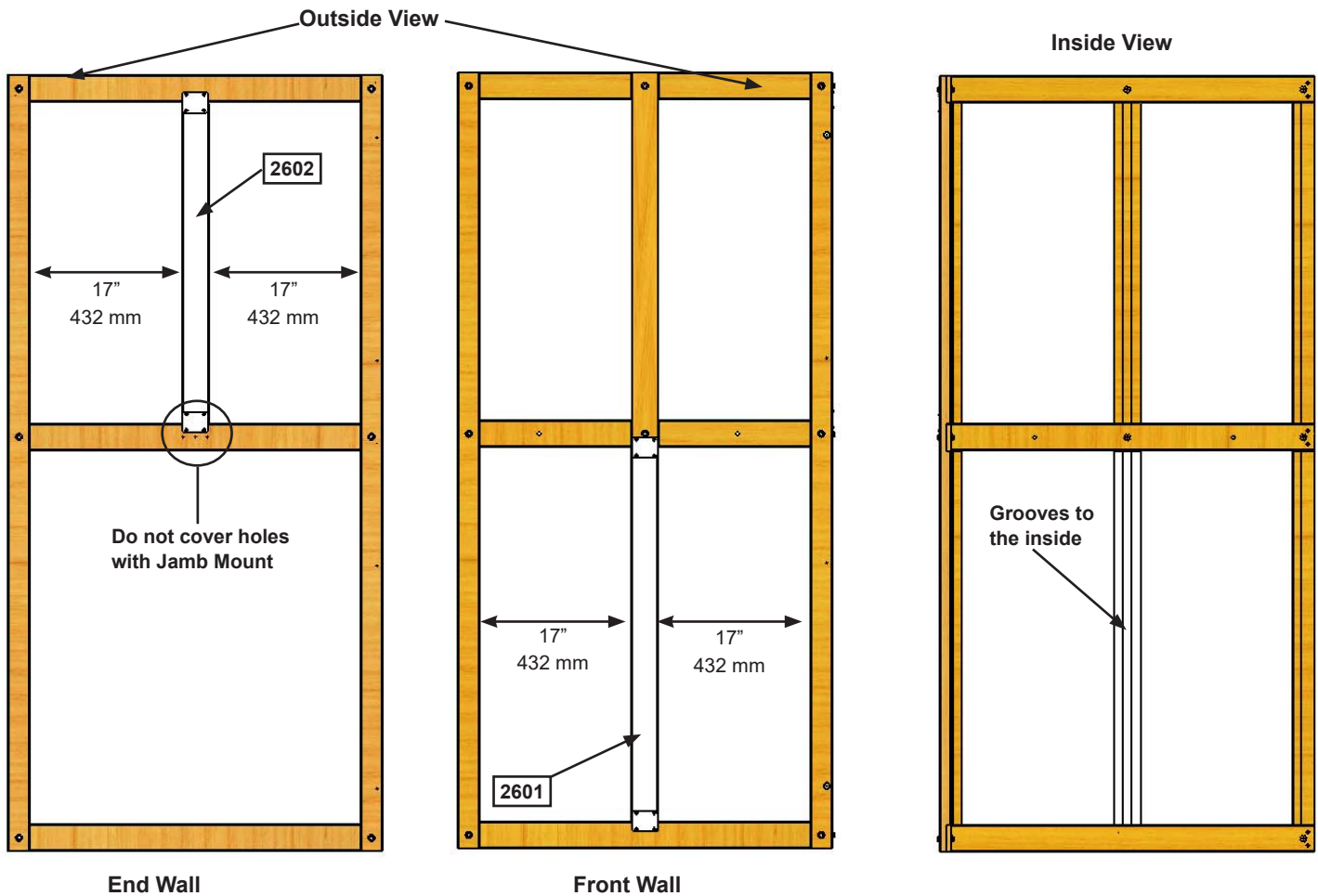
5 x Rebar Ground Stake

Step 11: How to Install Inserts - Upper and Lower Jambs



There is 1 (2601) Lower Jamb and 1 (2602) Upper Jamb provided. Install the (2601) Lower Jamb on the Front Wall and the (2602) Upper Jamb on the End Wall using 2 Jamb Mounts and 8 (S0) Truss Screws per board.

Use the diagrams below to show correct placement of each board.



Wood Parts

- 1 x 2601 Lower Jamb
- 1 x 2602 Upper Jamb

Hardware

- 16 x S0 Truss Screw

Other Parts

- 4 x Jamb Mount

Step 12: How to Install Inserts - Window and Wall Inserts Part 1

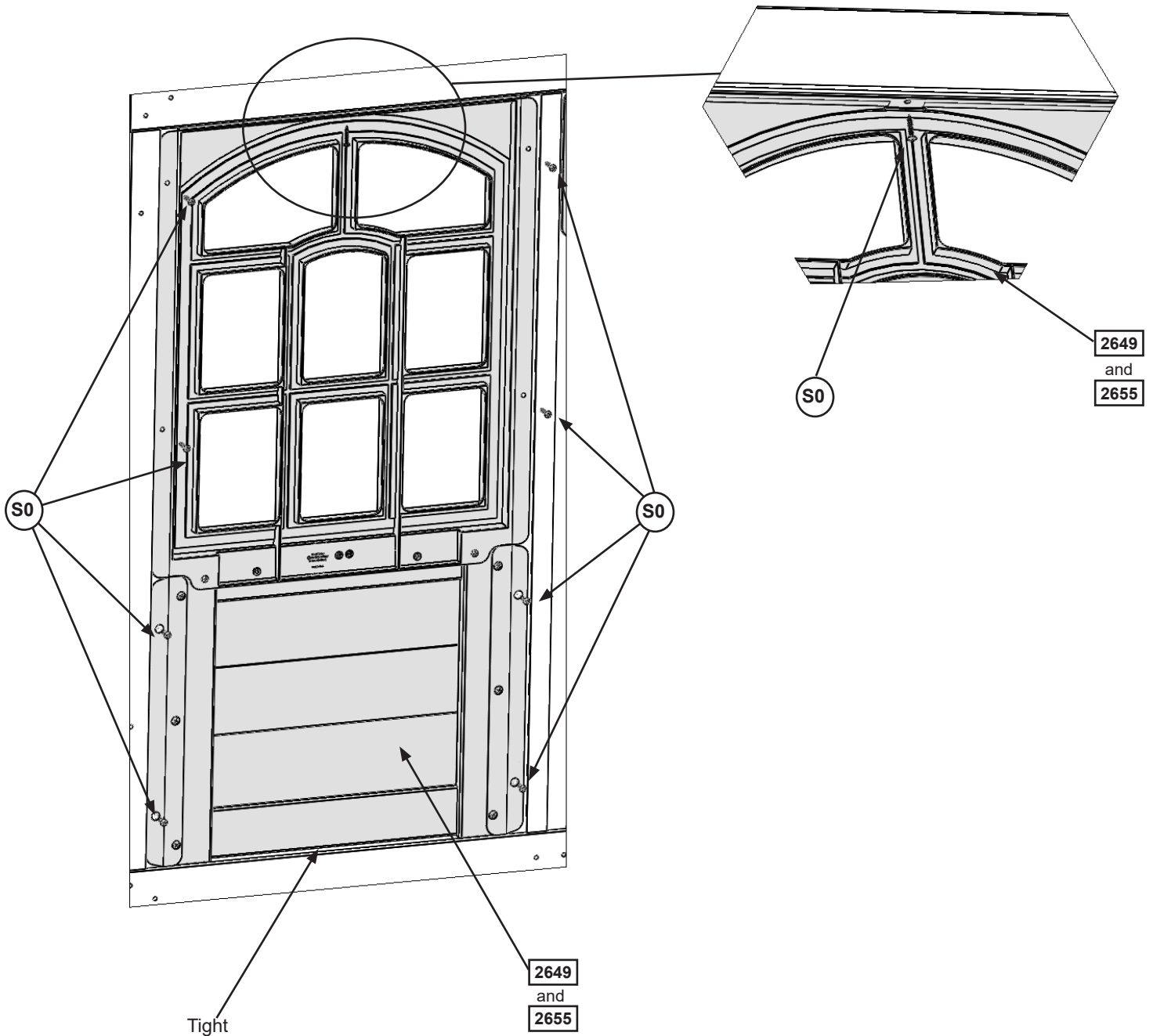
There is 1 (2649) Lower Window Insert, 2 (2655) Upper Window Inserts, 1 (2665) Half Wall Insert, 2 (649A) Short Half Walls and 2 MOD 3-Pane Transoms provided. Use the Echo Fort Guide to see where each insert is installed.

When installing you will need the following:

For (2649) Lower Window Insert and (2655) Upper Window Insert - 9 x (S0) Truss Screws per insert.

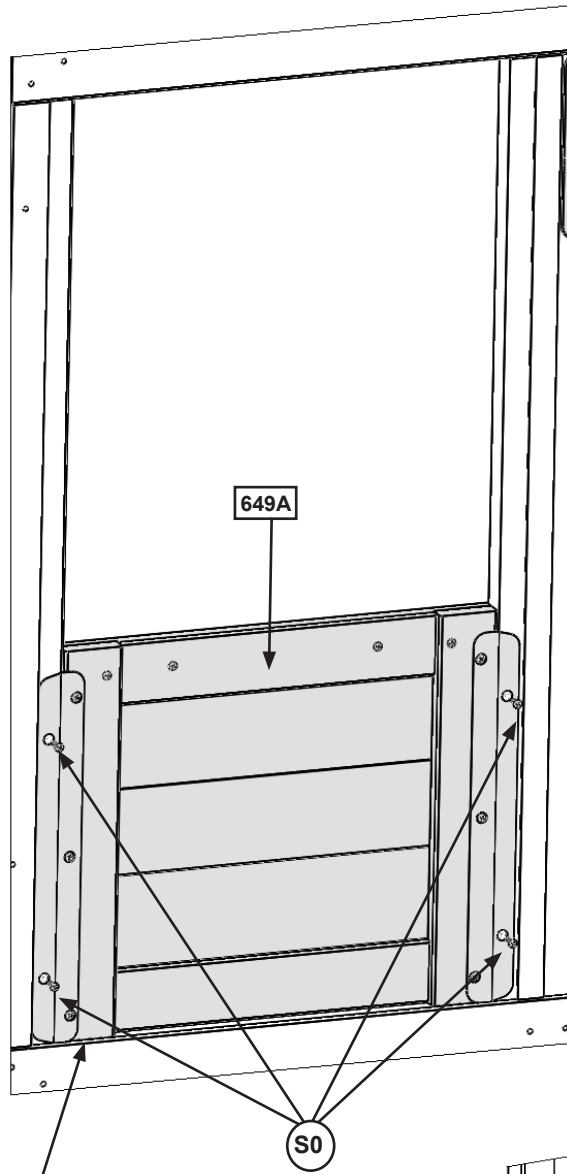
For (2665) Half Wall Insert, (649A) Short Half Wall and MOD 3-Pane Transom - 4 x (S0) Truss Screws per insert.

Inside View

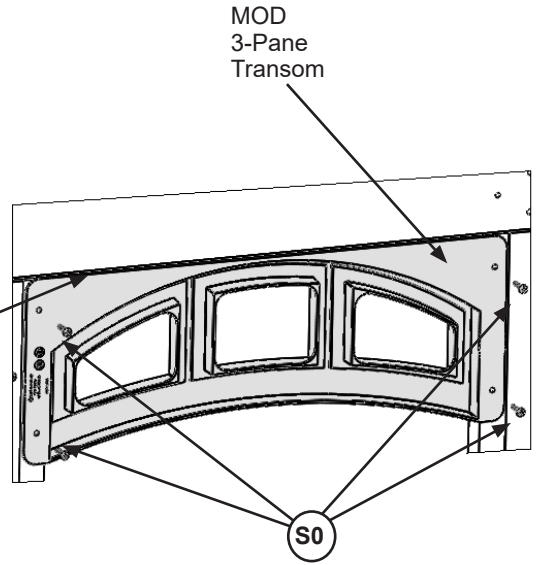


Step 12: How to Install Inserts - Window and Wall Inserts Part 2

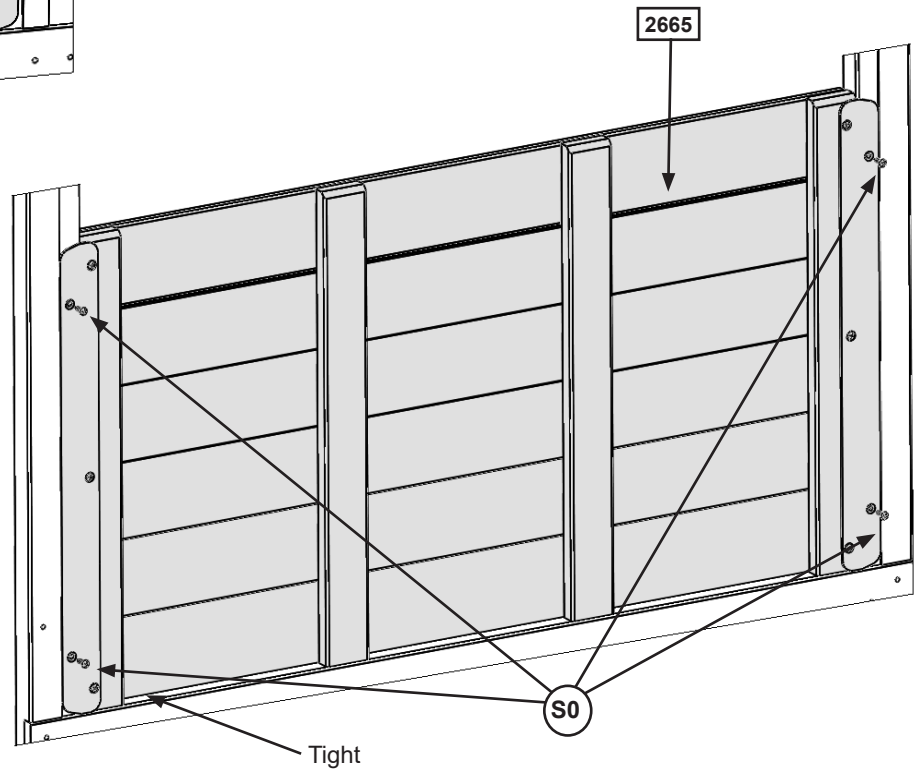
Inside Views



Tight



Tight



Tight

Step 13: How to Install Inserts - Clock Assembly



There is 1 Clock Set provided to be installed on the Front Wall. See Echo Fort Guide for correct location. See below for how to assemble and attach the Clock Set.

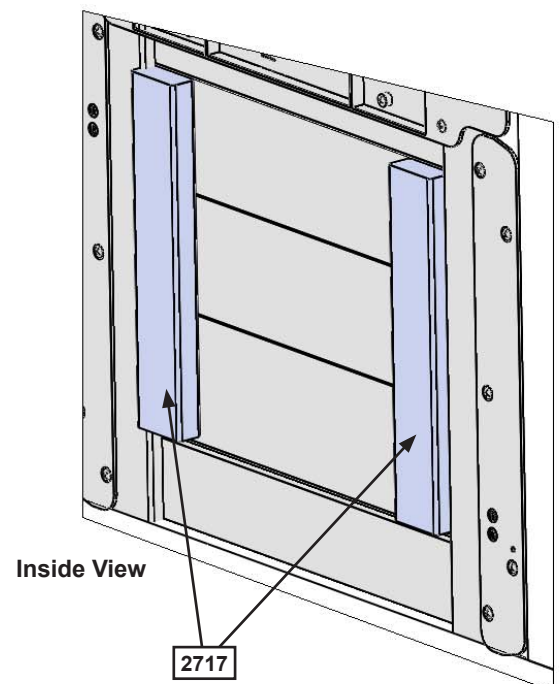
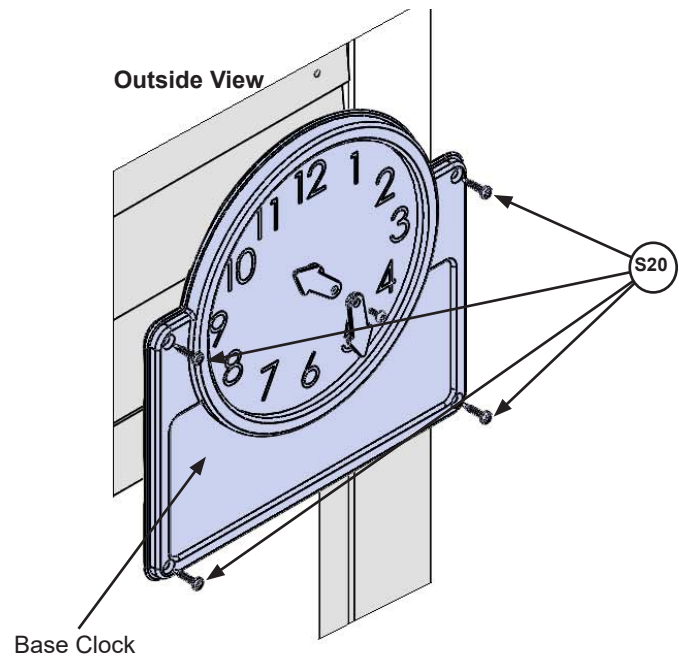
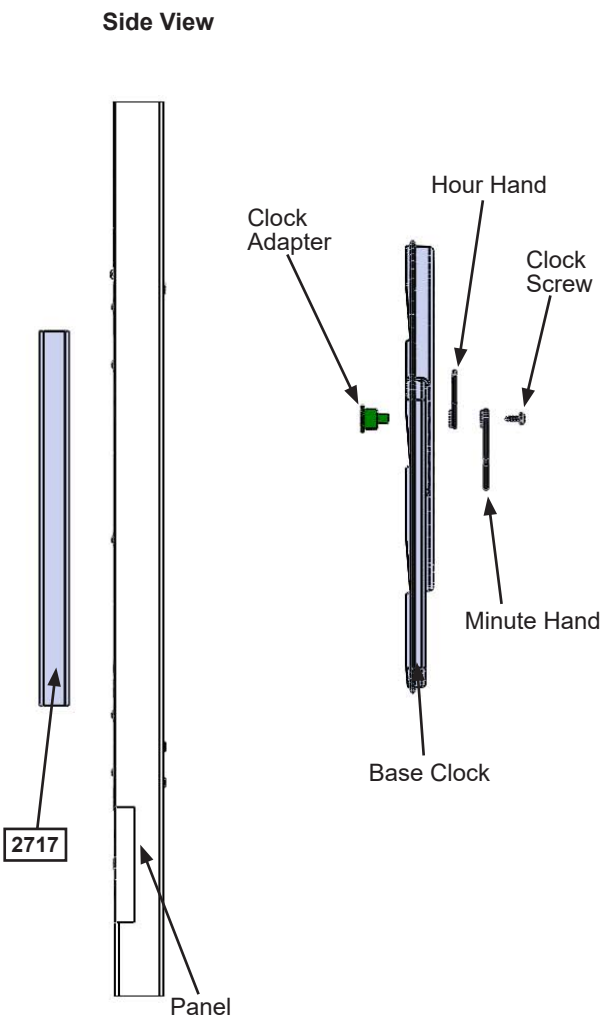
When installing you will need the following:

Base Clock, Clock Subset (includes minute and hour hands, clock adapter and clock screw), 2 (2717) Clock Blocks and 4 x (S20) Wood Screws.

To assemble Clock insert the Clock Adapter from the back of the Base Clock, place the Hour Hand over the Clock Adapter making sure they are lined up properly. Press the Minute Hand over the Hour Hand and connect with Clock Screw.

Attach assembled Clock through panel and into each (2717) Clock Block with 4 (S20) Wood Screws.

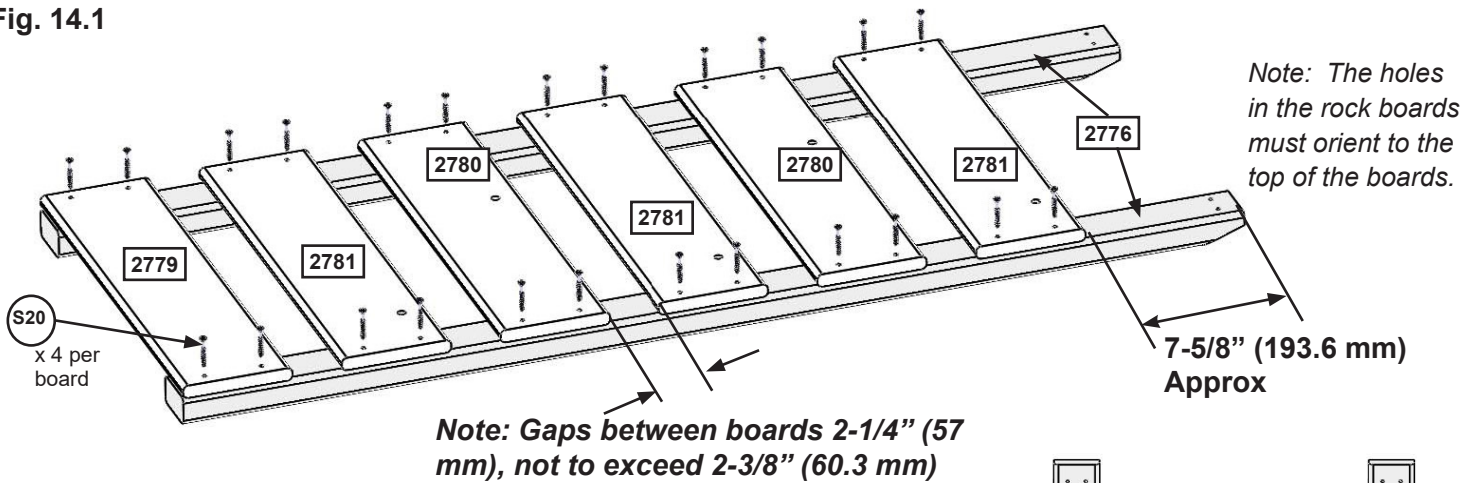
Do not over tighten screws.



Step 14: Rock Wall Assembly



Fig. 14.1



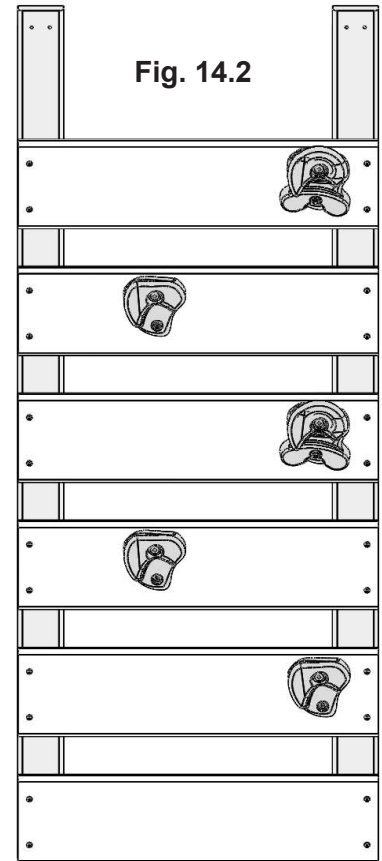
A: Lay 2 (2776) Rock Rails down, side by side with angled edges facing down. (fig. 14.1)

B: Place (2779) Access Board on the bottom of each (2776) Rock Rail as shown in fig. 14.1. Make sure (2779) Access Board is flush to the outside and bottom edges of each (2776). Attach using 4 (S20) Wood Screws.

C: 7-5/8" (193.6 mm) down from the top of both (2776) Rock Rails place 1 (2781) Rk Board B, making sure the sides are flush to the outside edges of each (2776) Rock Rail. Attach using 4 (S20) Wood Screws. (fig. 14.1)

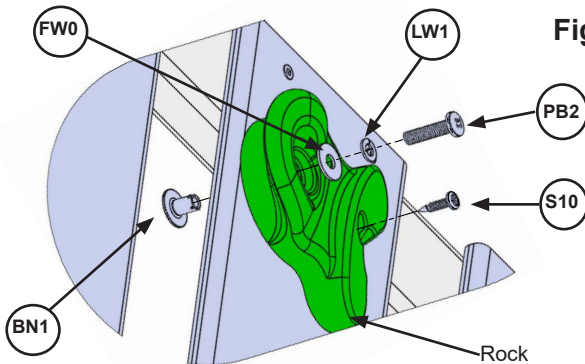
D: In between the (2779) Access Board and (2781) Rk Board B stagger 2 (2781) Rk Board Bs and 2 (2780) Rk Board As using 4 (S20) Wood Screws per board. Placing them as shown in fig. 14.1, this will prevent rocks from forming a straight line. Make sure the boards are evenly spaced and do not exceed 2-3/8" (60.3 mm) between boards.

Fig. 14.2



E: Place 1 rock on each (2780) Rk Board A and (2781) Rk Board B (fig. 14.2) and attach using 1 (PB2) Pan Bolt (with lock washer, flat washer and barrel nut) and 1 (S10) Pan Screw per rock. The Screw must be in the hole directly under the Pan Bolt, it will stop the rock from spinning. (fig. 14.3)

Fig. 14.3



Wood Parts

- 1 x 2779 Access Board
- 3 x 2781 Rk Board B
- 2 x 2780 Rk Board A
- 2 x 2776 Rock Rail

Hardware

- 24 x S20 Wood Screw
- 5 x S10 Pan Screw
- 5 x PB2 Pan Bolt (lock washer, flat washer & barrel nut)

Other Parts

- 5 x Rocks (3 green/2 yellow)

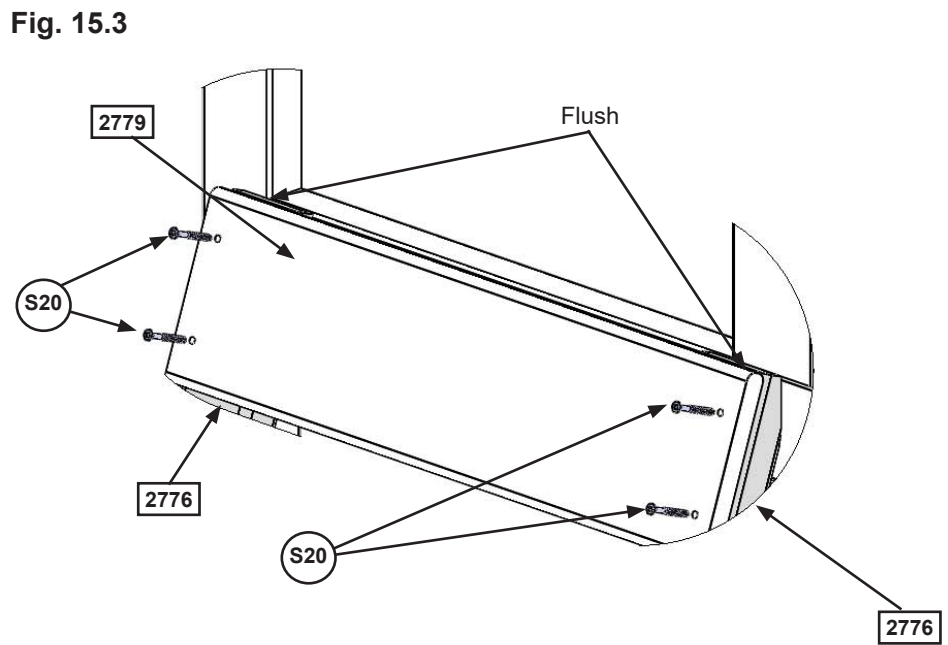
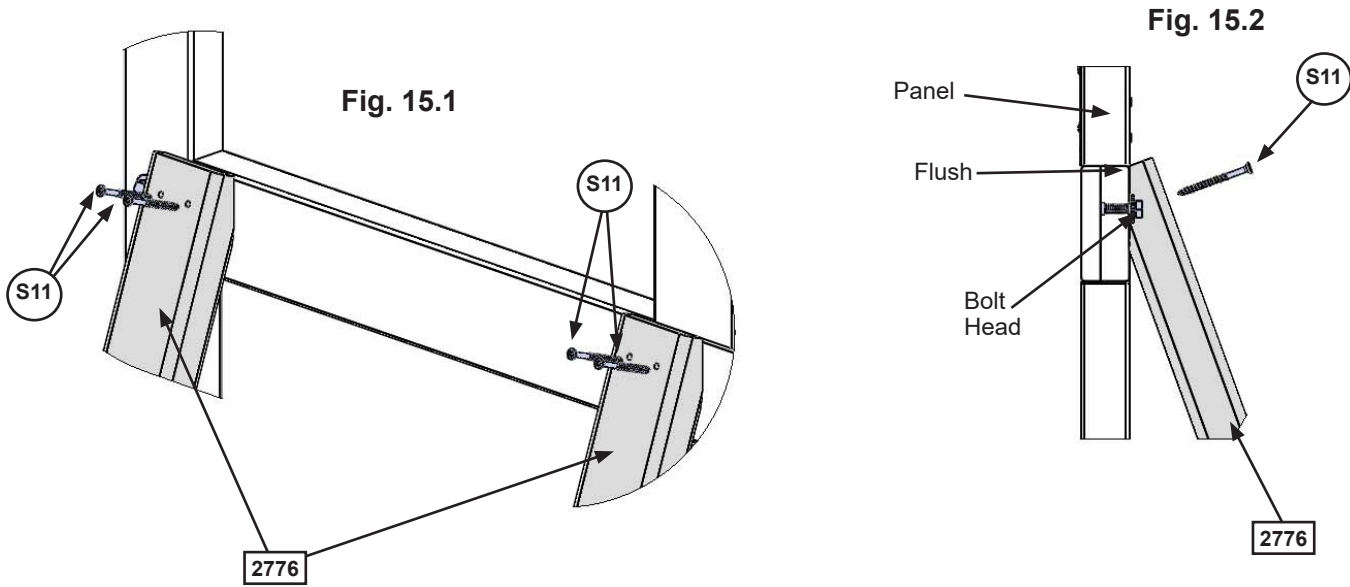
Step 15: Attach Rock Wall Assembly to Fort

Part 1

A: Place Rock Wall Assembly centred in opening of the Back Wall as shown in the Echo Fort Guide and flush as shown below. Attach (2776) Rock Rails to the Back Wall using 4 (S11) Wood Screws. (fig. 15.1 and 15.2)

B: Attach 1 (2779) Access Board to top of Rock Wall Assembly, flush to top of (2776) Rock Rails using 4 (S20) Wood Screws. (fig. 15.3)

Note: Make sure (2776) Rock Rails do not cover the bolt head, move assembly over so it is tight to the bolt head. (fig. 15.1 and 15.2)



Wood Parts

1 x 2779 Access Board

Hardware

4 x S20 Wood Screw

4 x S11 Wood Screw

Step 15: Attach Rock Wall Assembly to Fort

Part 2

C: Drive 1 Rebar Ground Stake 13" (330 mm) into the ground against outside (2776) Rock Rail then attach with 1 (S7) Pan Screw. Be careful not to hit the washer while hammering stake into the ground as this could cause the washer to break off. (fig. 15.4 and 15.5)

D: After driving stake into the ground, check for sharp edges caused by the impact of the hammer. Smooth any sharp edges from impact area and touch up with outdoor paint.

⚠Warning! To prevent tipping and avoid potential injury, stakes must be driven 13" (330 mm) into ground. Digging or driving stakes can be dangerous if you do not check first for under-ground wiring, cables or gas lines.

Fig. 15.4

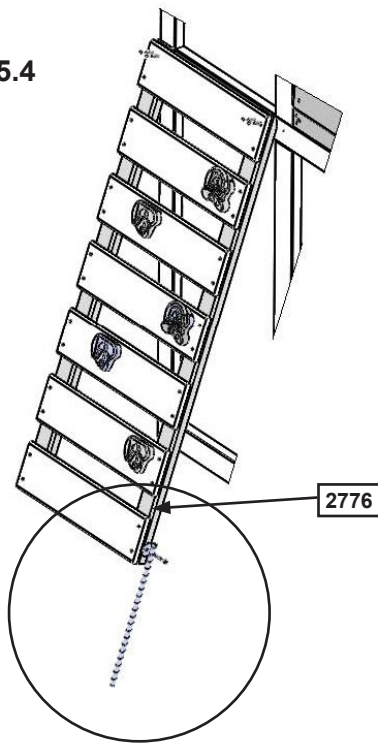
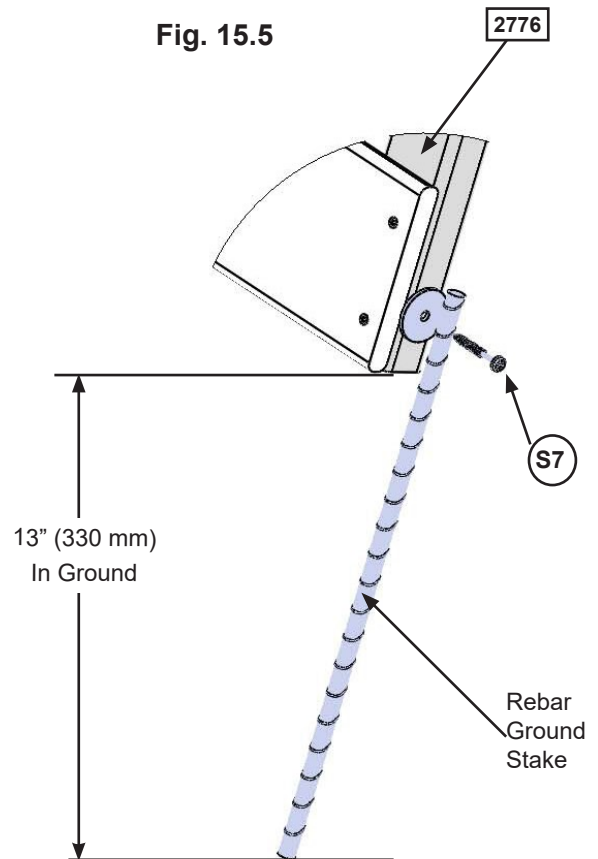


Fig. 15.5



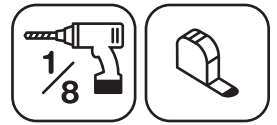
Hardware

1 x (S7) Pan Screw

Other Parts

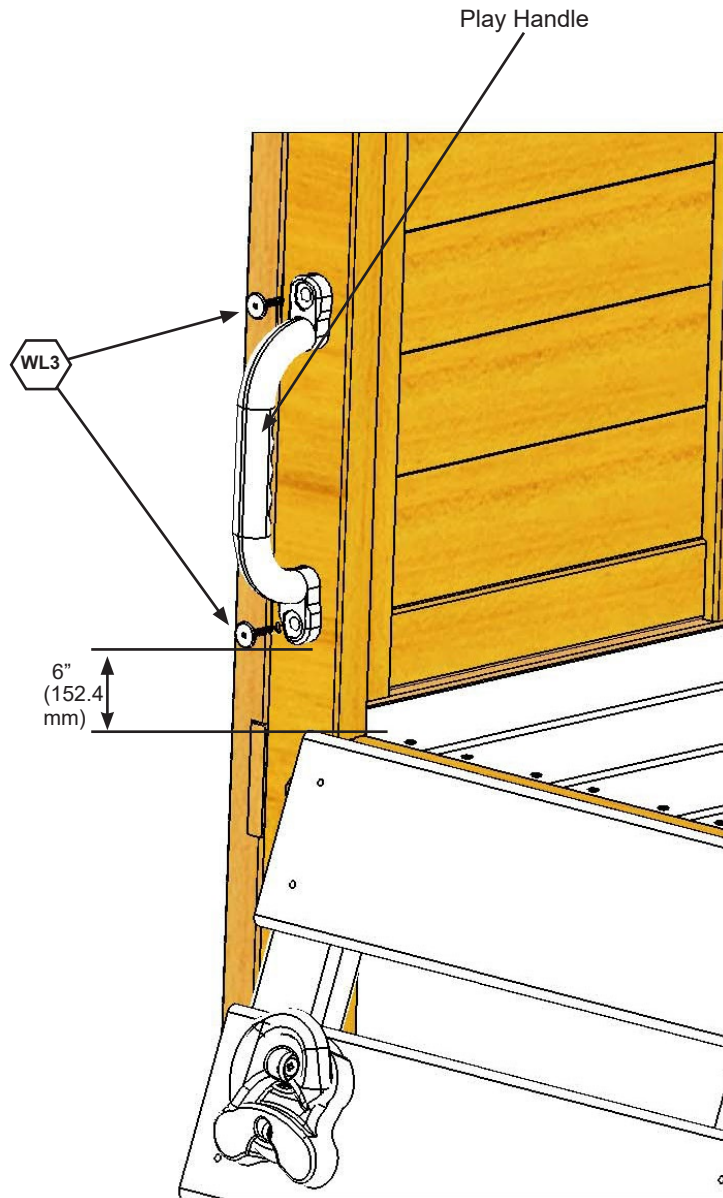
1 x Rebar Ground Stake

Step 16: Attach Hand Grip to Fort



A: Measure 6" (152.4 mm) from the top of the floor boards on the left hand side of the Rock Board, pre-drill with a 1/8" (3.2 mm) drill bit then attach 1 Play Handle with 2 (WL3) Wafer Lags to the Back Wall. (fig. 16.1)

Fig. 16.1



Hardware

2 x  Wafer Lag

Other Parts

1 x Play Handle

Step 17: Cafe Table Assembly

A: Place (2612) Table Support flush to the notched out ends of (2611) Table Top and attach with 4 (S7) Pan Screws as shown in fig. 17.1.

B: Place Table Top Assembly tight in the opening of End Wall with the overhang on the inside of the assembly as shown in fig. 17.2 and in the Echo Fort Guide then attach (2612) Table Support to the End Wall posts with 2 (S3) Wood Screws.

Fig. 17.1

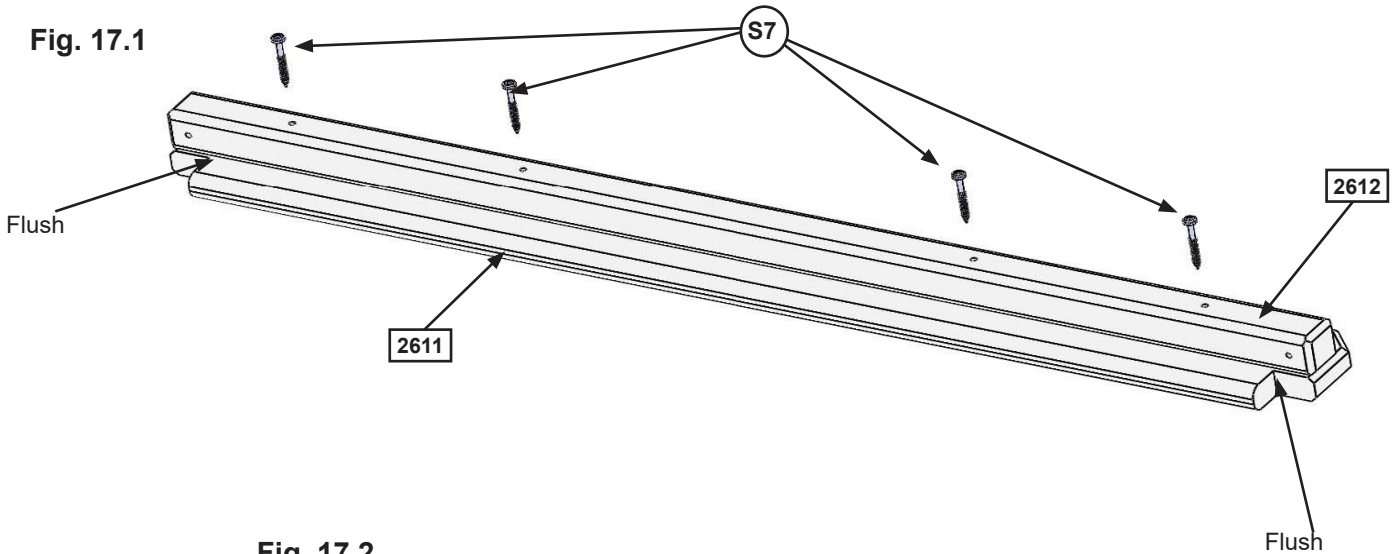
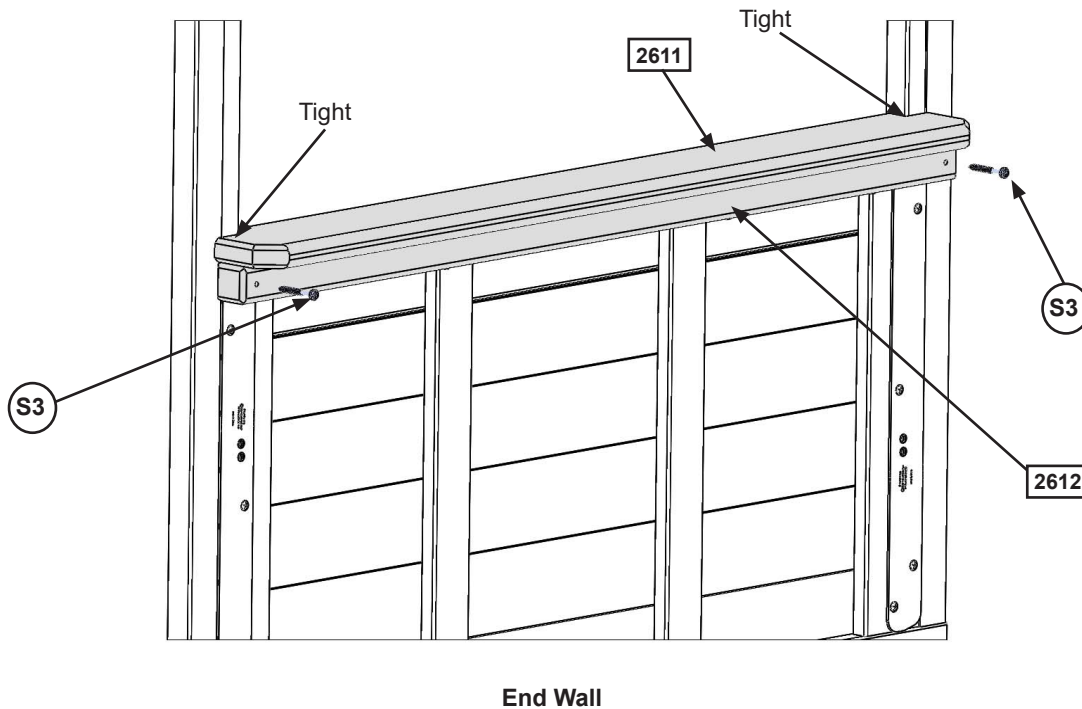


Fig. 17.2

Inside View



Wood Parts

- 1 x 2612 Table Support
- 1 x 2611 Table Top

Hardware

- 4 x S7 Pan Screw
- 2 x S3 Wood Screw

Step 18: Roof Support Assembly

A: Attach 1 (2760) Roof Support to a second (2760) Roof Support at peak using 1 (S4) Wood Screw. Repeat this step so there are 2 Roof Support Assemblies. (fig. 18.1 and 18.2)

Fig. 18.1

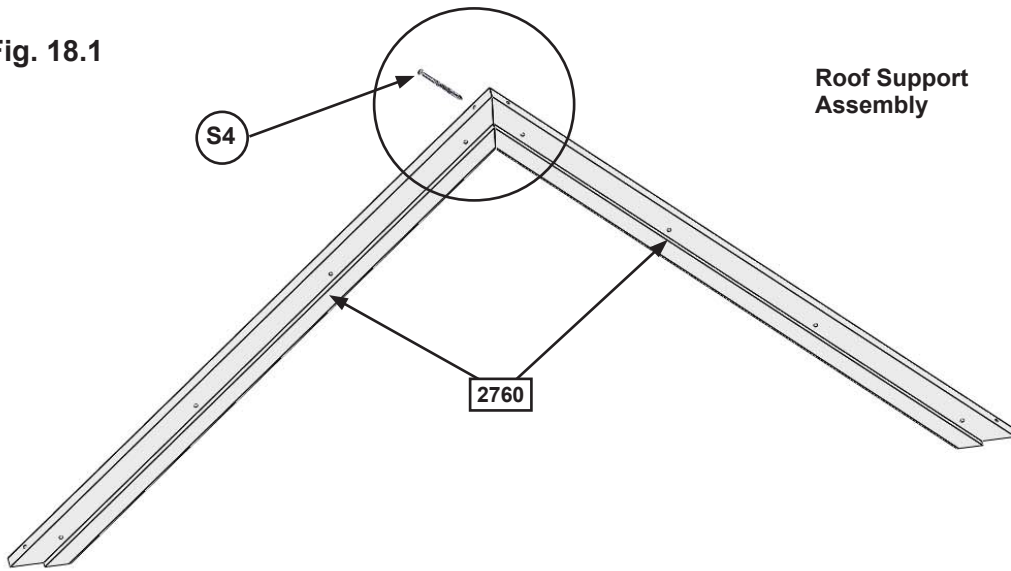
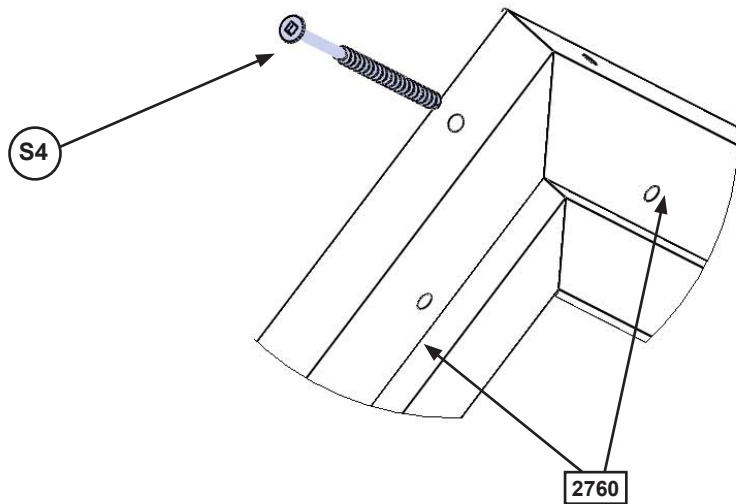


Fig. 18.2



Wood Parts

4 x **2760** Roof Support

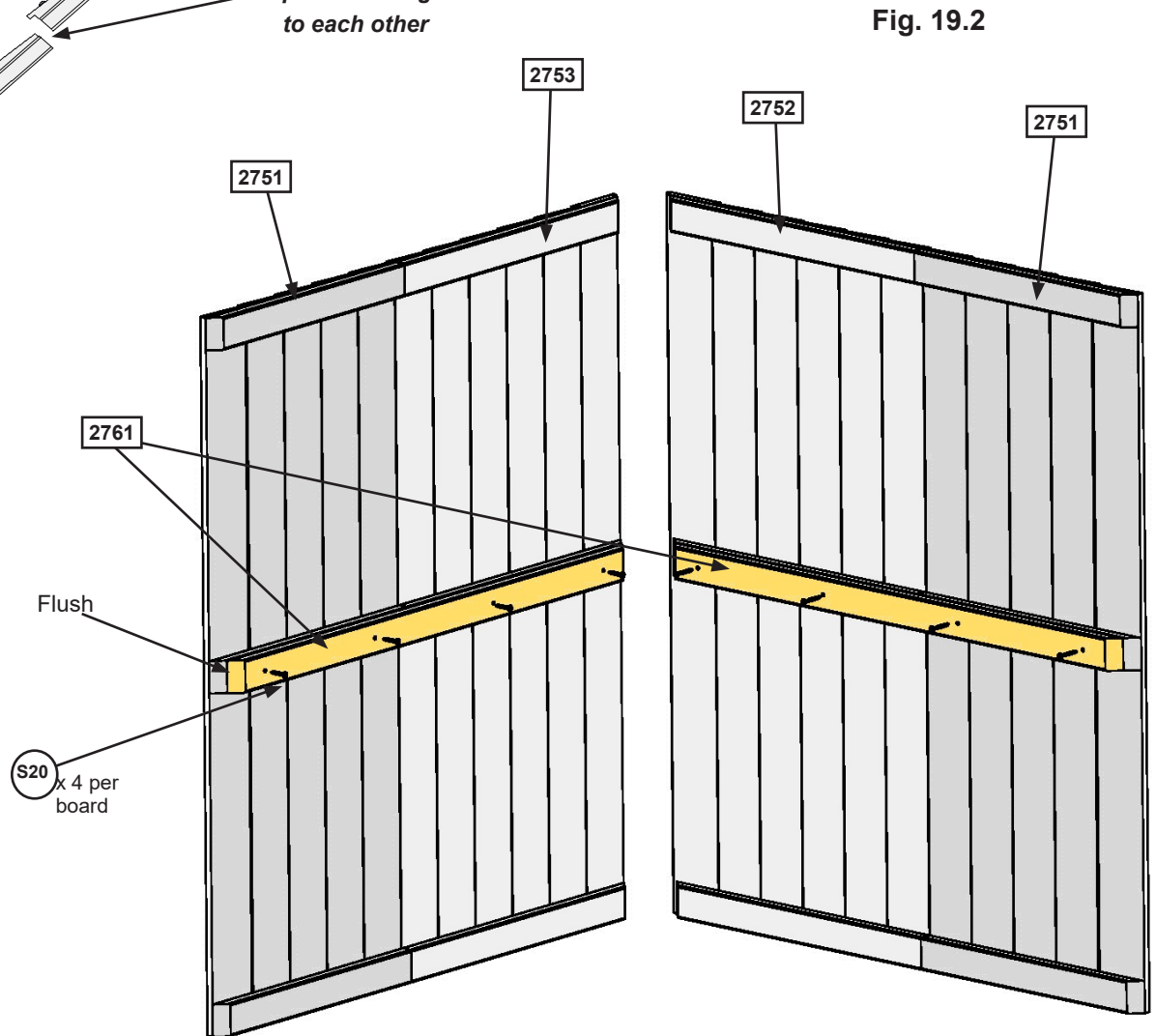
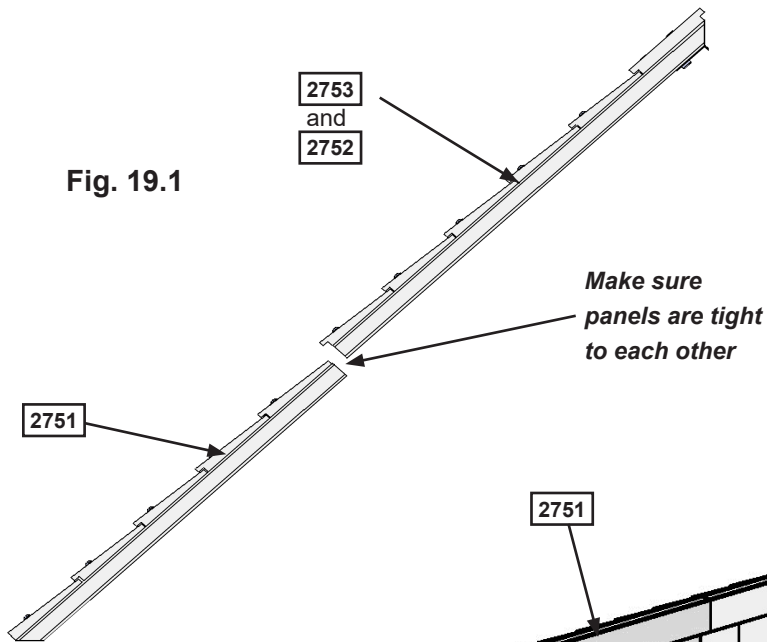
Hardware

2 x **S4** Wood Screw

Step 19: Roof Panel Assembly

A: Place 1 (2751) MOD Roof Bottom tight to the bottom of (2752) MOD Roof Front and (2753) MOD Roof Back. (fig. 19.1)

B: Place a (2761) Roof Sleeper C on the middle strip of each Roof Panel Assembly so the ends are flush and attach with 4 (S20) Wood Screws per panel. (fig. 19.2)



Wood Parts

- 2 x 2751 MOD Roof Bottom
- 1 x 2752 MOD Roof Front
- 1 x 2753 MOD Roof Back
- 2 x 2761 Roof Sleeper C

Hardware

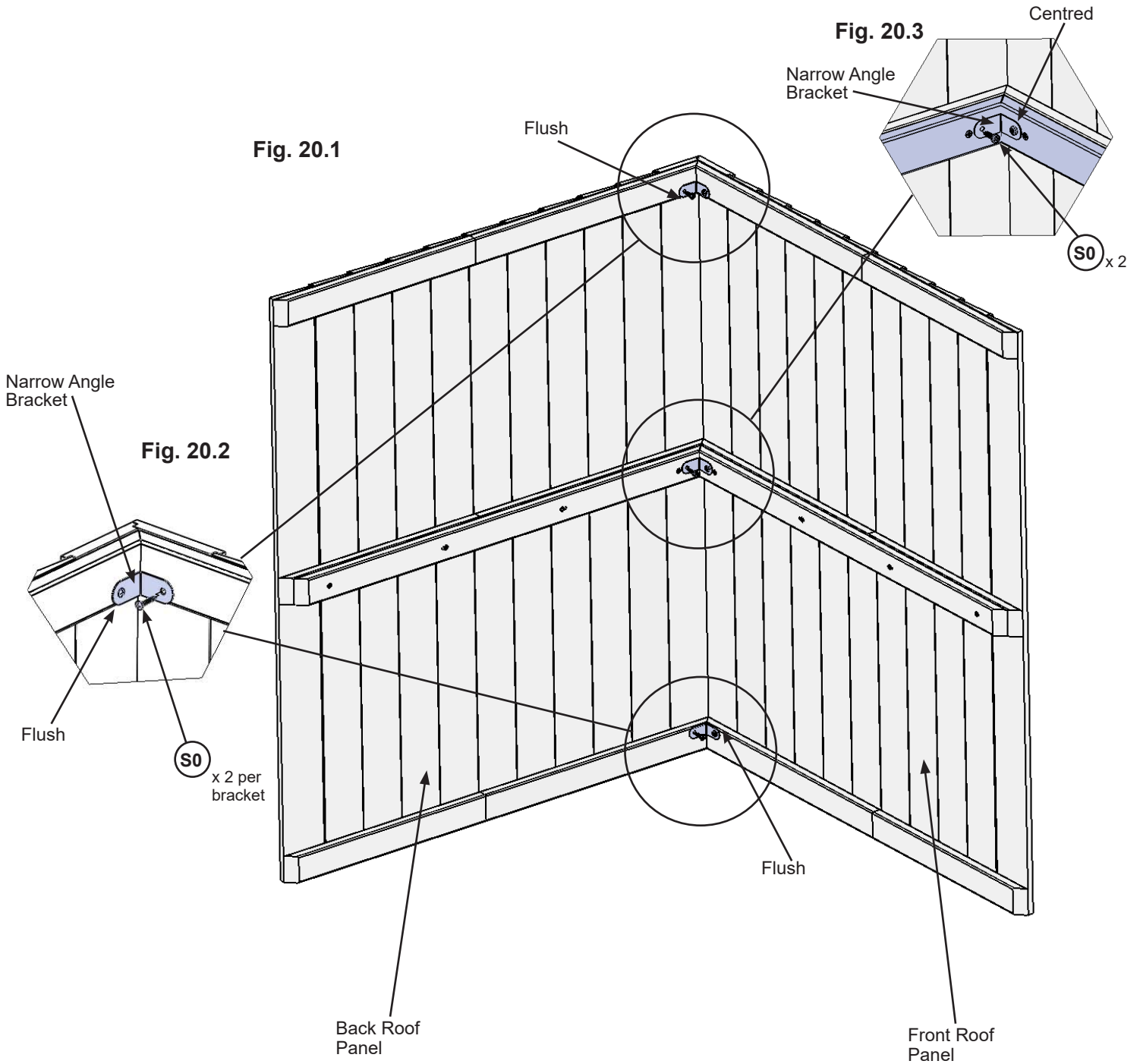
- 8 x S20 Wood Screw

Step 20: Roof Assembly Part 1



A: Place Front Roof Panel against Back Roof Panel so the tops form a peak then tight to the inside edge of the outside slats attach 1 Narrow Angle Bracket per slat with 2 (S0) Truss Screws per bracket. (fig. 20.1 and 20.2)

B: Attach the third Narrow Angle Bracket centred on the middle slat with 2 (S0) Truss Screws. (fig. 20.1 and 20.3)



Hardware

6 x Truss Screw

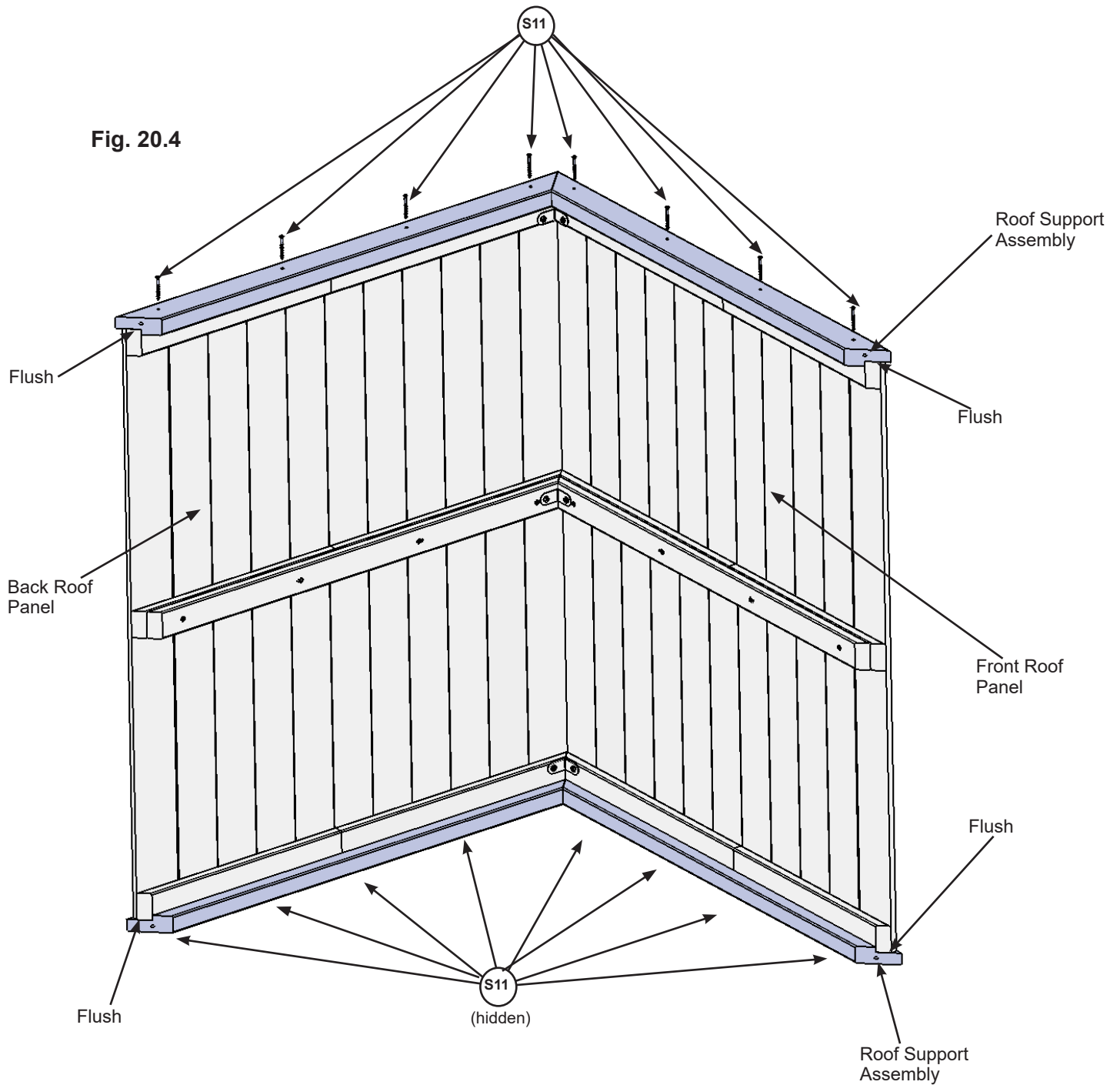
Other Parts

3 x Narrow Angle Bracket

Step 20: Roof Assembly Part 2

C: Place 1 Roof Support Assembly against one side so the peaks meet and the ends of the roof supports are flush with the ends of the roof panels. Attach with 8 (S11) Wood Screws. (fig. 20.4)

D: Attach the second Roof Support Assembly on the opposite side, peaks to meet and ends are flush with 8 (S11) Wood Screws. (fig. 20.4)



Hardware

16 x  Wood Screw

Step 21: Attach Sky Gable

A: Attach 1 Sky Gable to the inside of the (2617) Roof Supports on each side of the Roof Assembly with 4 (S5) Pan Screws per Sky Gable. (fig. 21.1 and 21.2)

Fig. 21.1

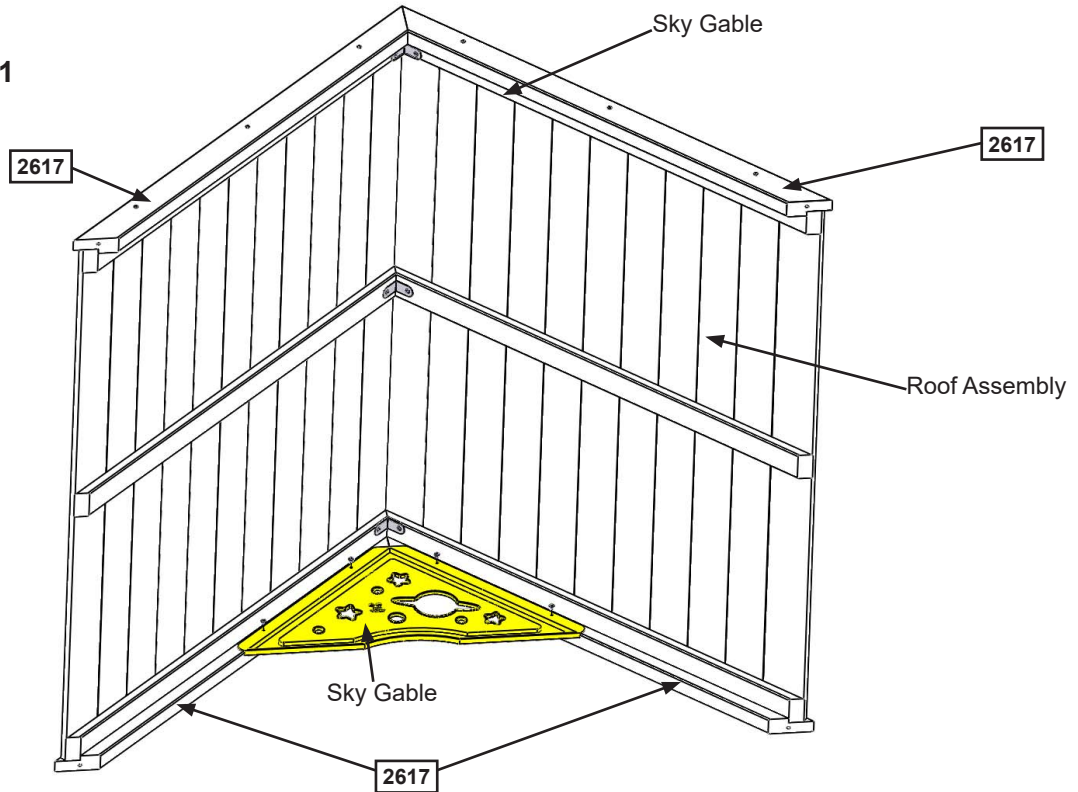
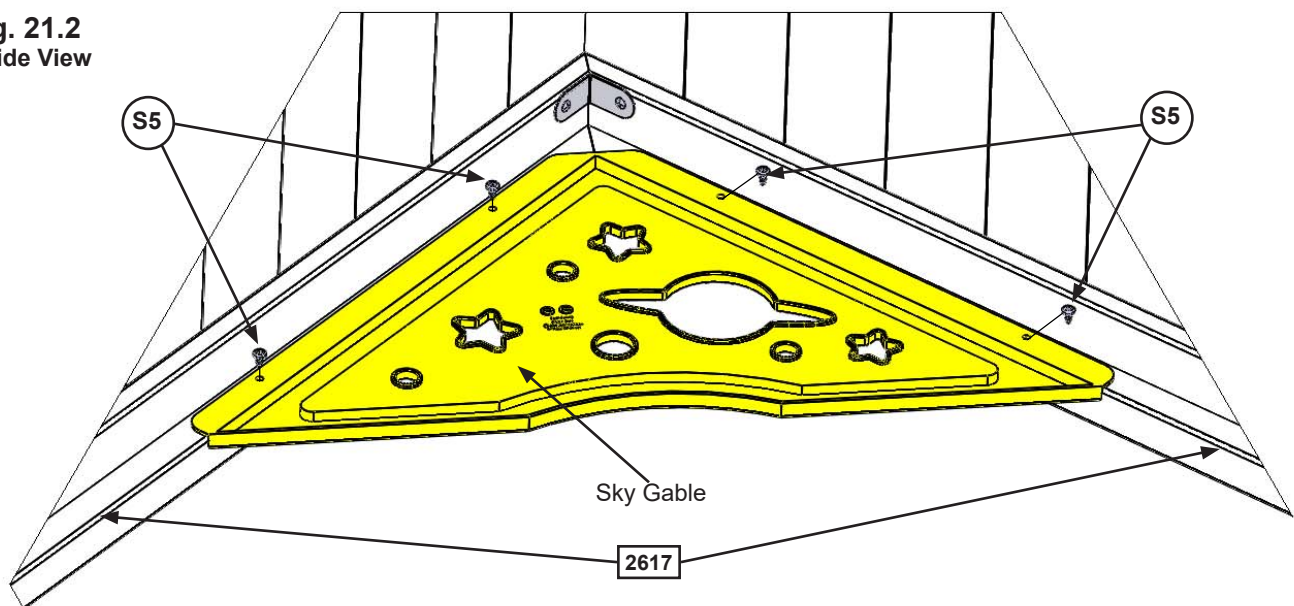


Fig. 21.2
Inside View



Hardware

8 x  Pan Screw

Other Parts

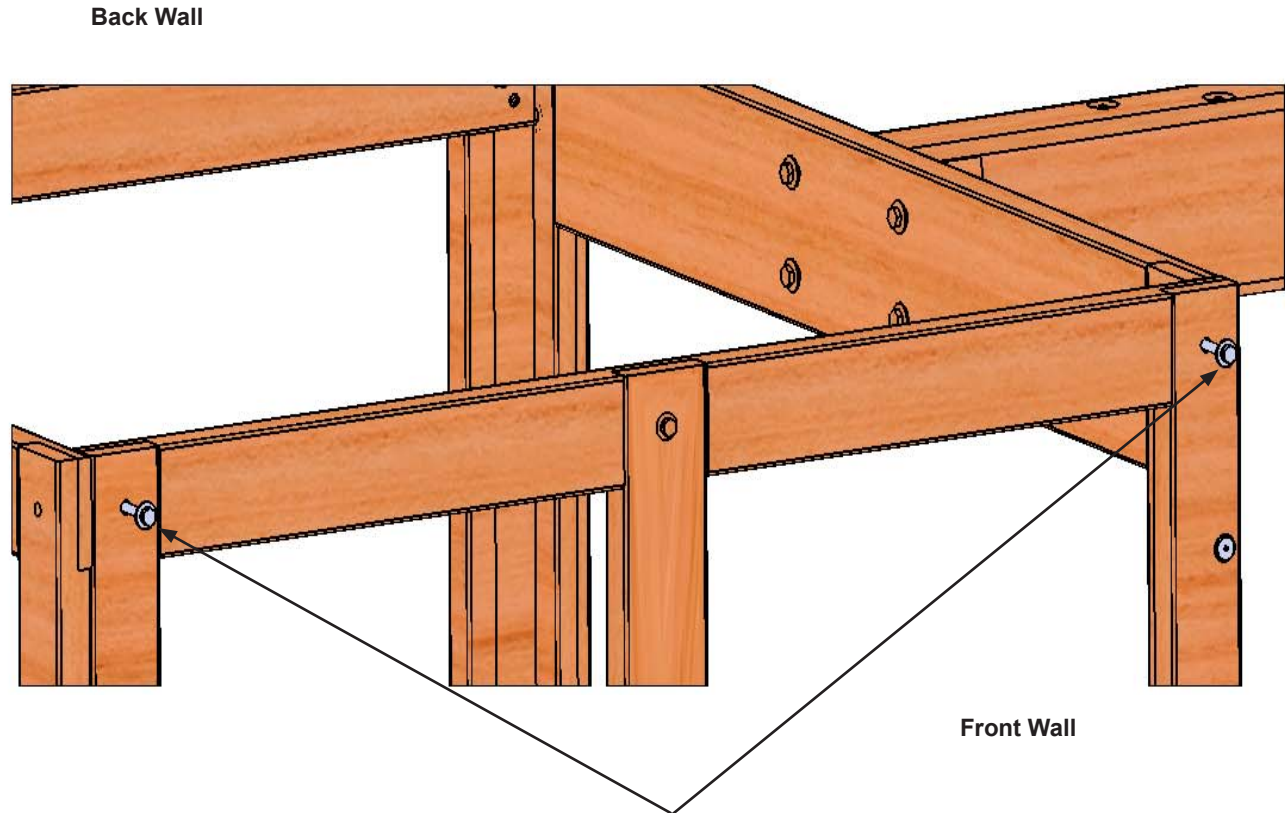
2 x Sky Gable

Step 22: Attach Roof Ends Part 1



A: On the Front and Back Walls remove the 2 outside (H9) Hex Bolts attached at the top of the assembly from Step 1, Part 2. Leave the (TN1) T-nuts in. The (FW1) Flat Washers and (LW1) Lock Washers will be used in Step B. (fig. 22.1)

Fig. 22.1



Remove these bolts on both Front and Back Walls, keeping lock washers and flat washers for next step. Do not remove the t-nuts.

Step 22: Attach Roof Ends Part 2



B: Loosely attach 1 (2759) Roof End to each corner, flush to the top of (2775) Panel Cross Supports, with 1 (H3) Hex Bolt per board, using the (FW1) Flat Washer and (LW1) Lock Washer from Step A and connecting to the (TN1) T-nut. Notice which bolt holes are to be used. (fig. 22.2, 22.3, 22.4 and 22.5)

Fig. 22.2

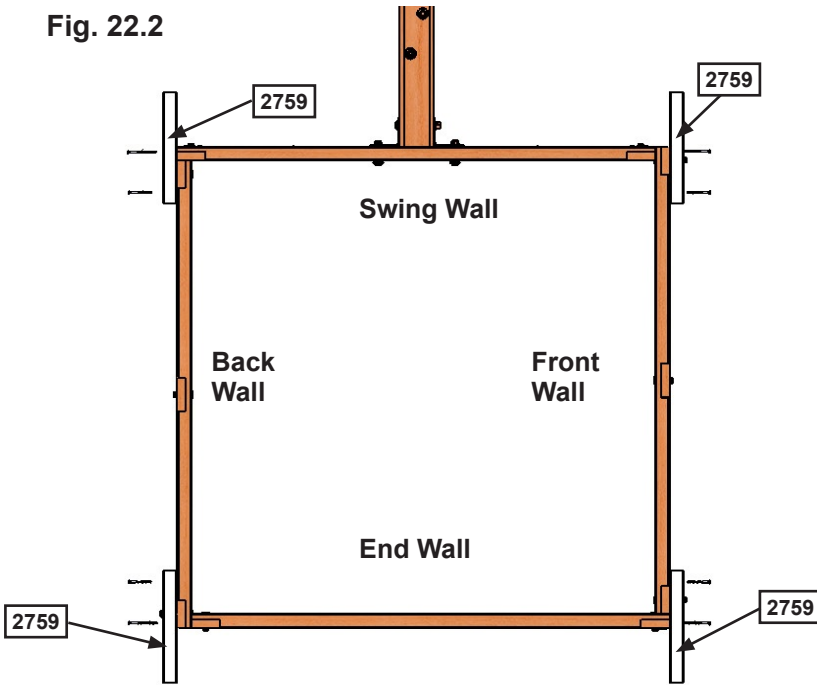


Fig. 22.3

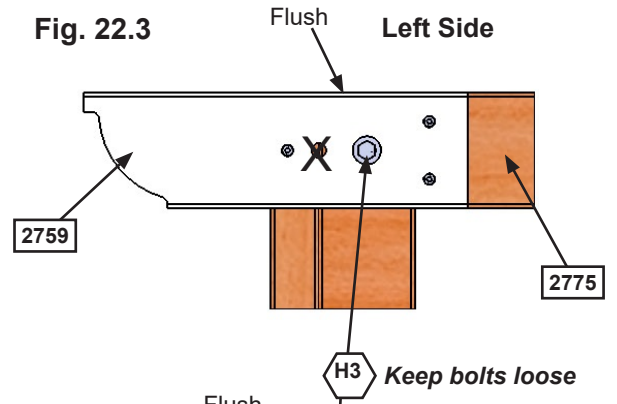


Fig. 22.4

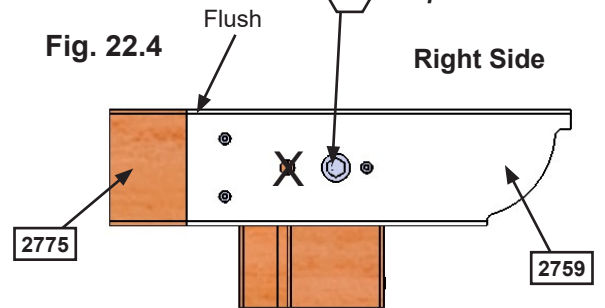
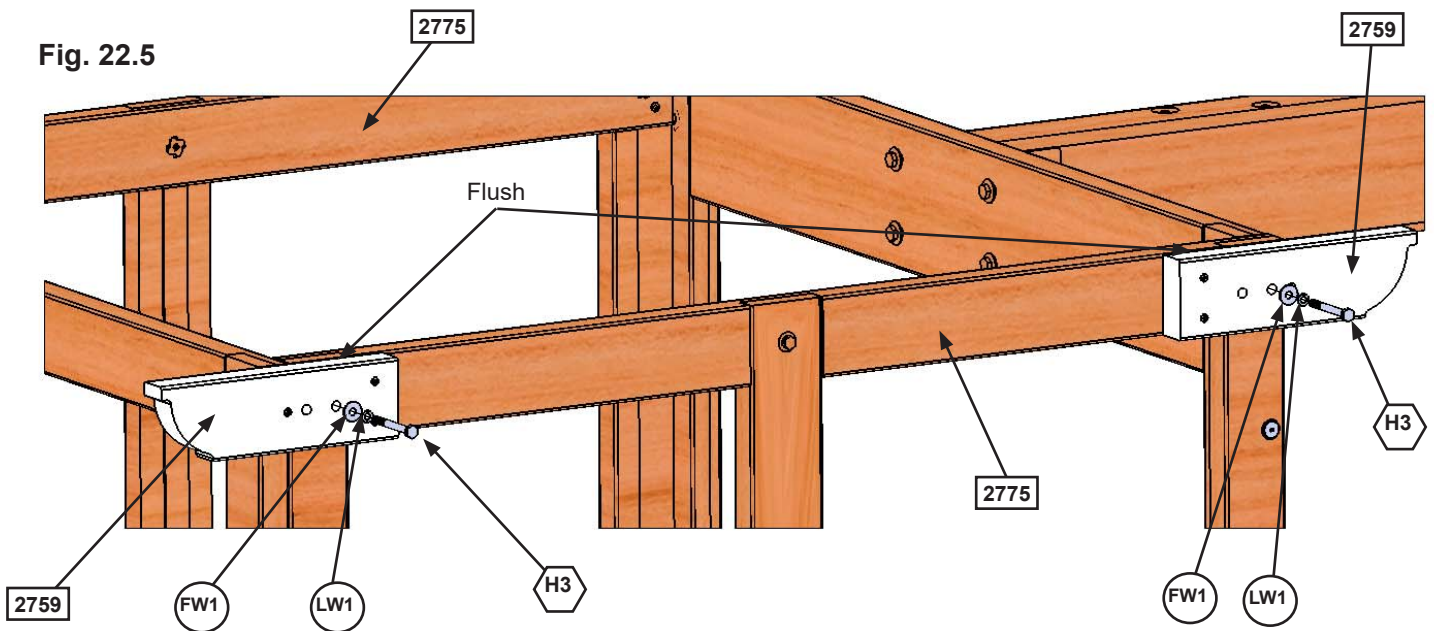


Fig. 22.5



Wood Parts

4 x 2759 Roof End

Hardware

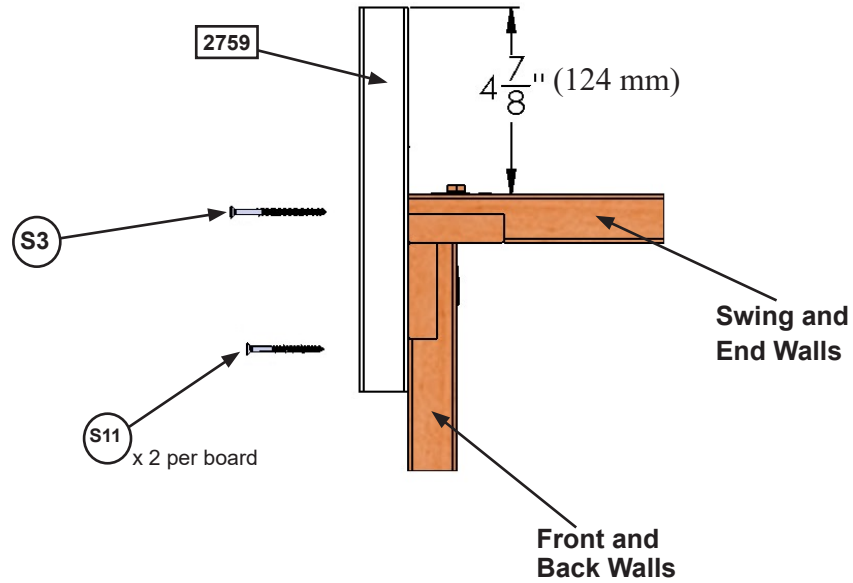
4 x H3 Hex Bolt

Step 22: Attach Roof Ends Part 3

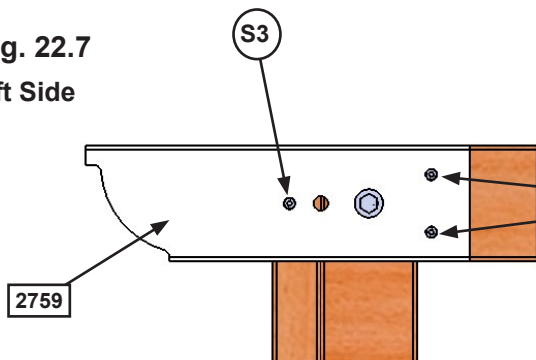


C: Measure overhang so it is 4-7/8" (124 mm) then attach with 2 (S11) Wood Screws and 1 (S3) Wood Screw per (2759) Roof End. Tighten the bolts. (fig. 22.6, 22.7 and 22.8)

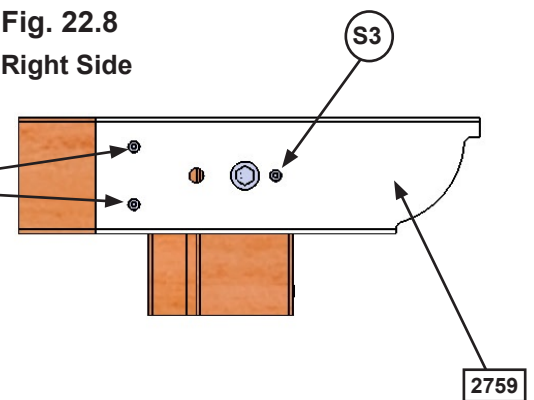
**Fig. 22.6
Top View**



**Fig. 22.7
Left Side**



**Fig. 22.8
Right Side**



Hardware

- 4 x Wood Screw
- 8 x Wood Screw

Step 23: Attach Cafe Canopy to Fort



A: Feed Cafe Canopy Frame through the pocket of the Cafe Canopy. (fig. 23.1)

B: With a helper hold the Canopy against the top of the Front Wall so it sits in the centre of the wall and the edge of the canopy is flush to the inside of (2775) Panel Cross Support. Measure 1/2" (12.7 mm) from the inside, make sure the Cafe Canopy is smooth and tight then attach to the (2775) Panel Cross Support with 6 (S5) Pan Screws (with #8 flat washer), evenly spaced. (fig. 23.2)

C: Hold the Cafe Canopy Frame against (2770) End Post Left and (2771) End Post then attach with 1 (S6) Pan Screw per side. (fig. 23.2)

Fig. 23.1

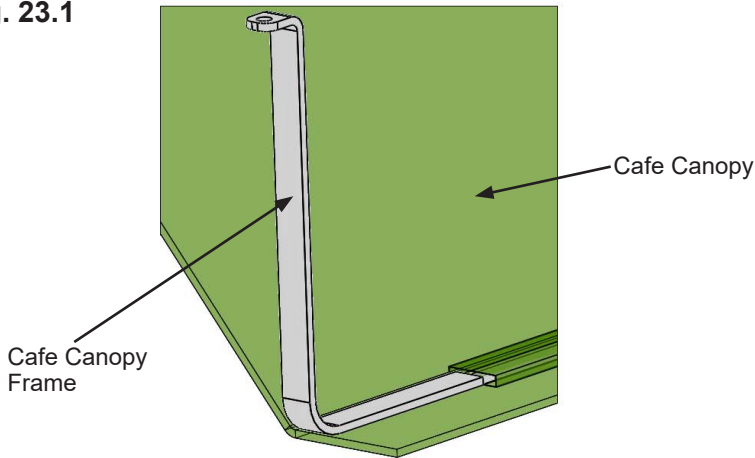
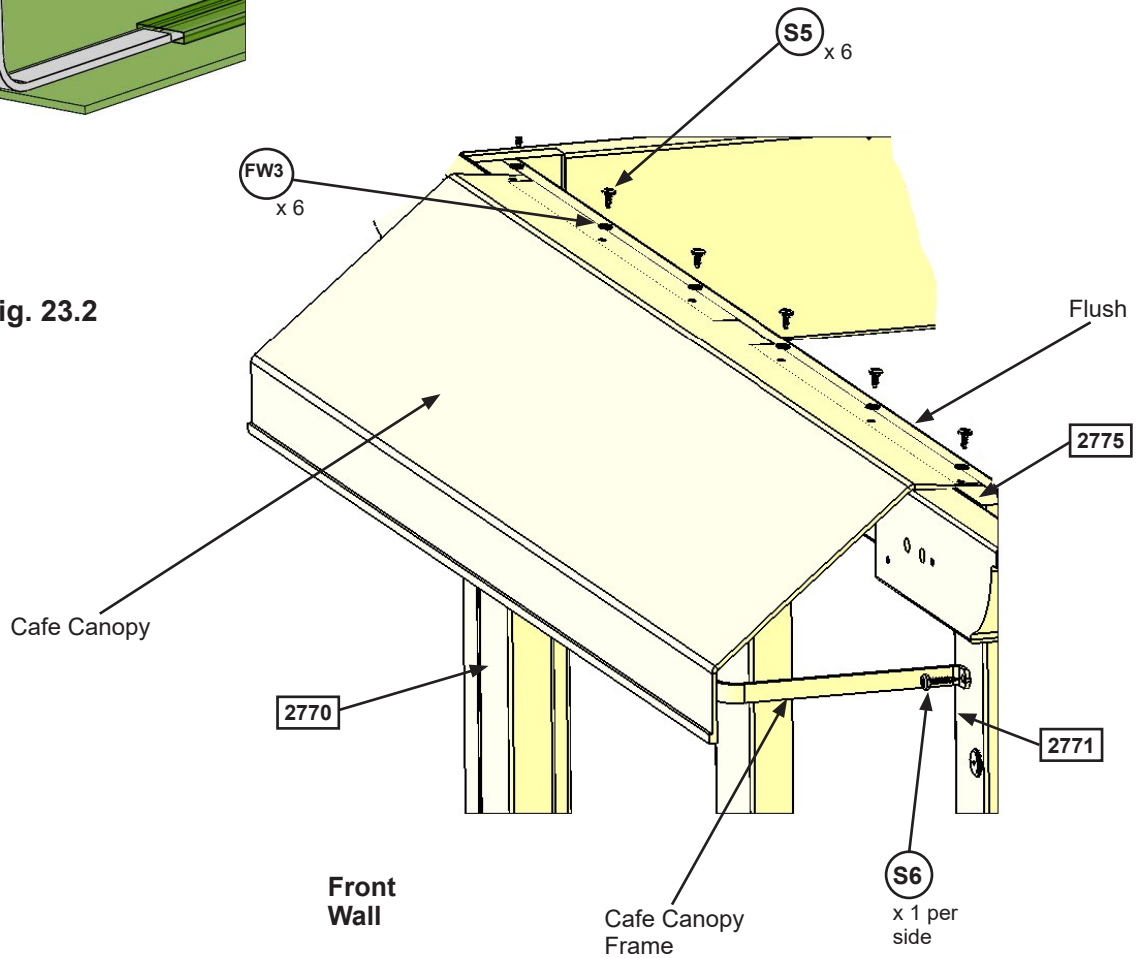


Fig. 23.2



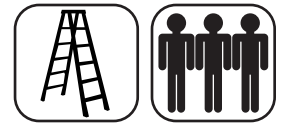
Hardware

- 6 x (S5) Pan Screw (#8 flat washer)
- 2 x (S6) Pan Screw

Other Parts

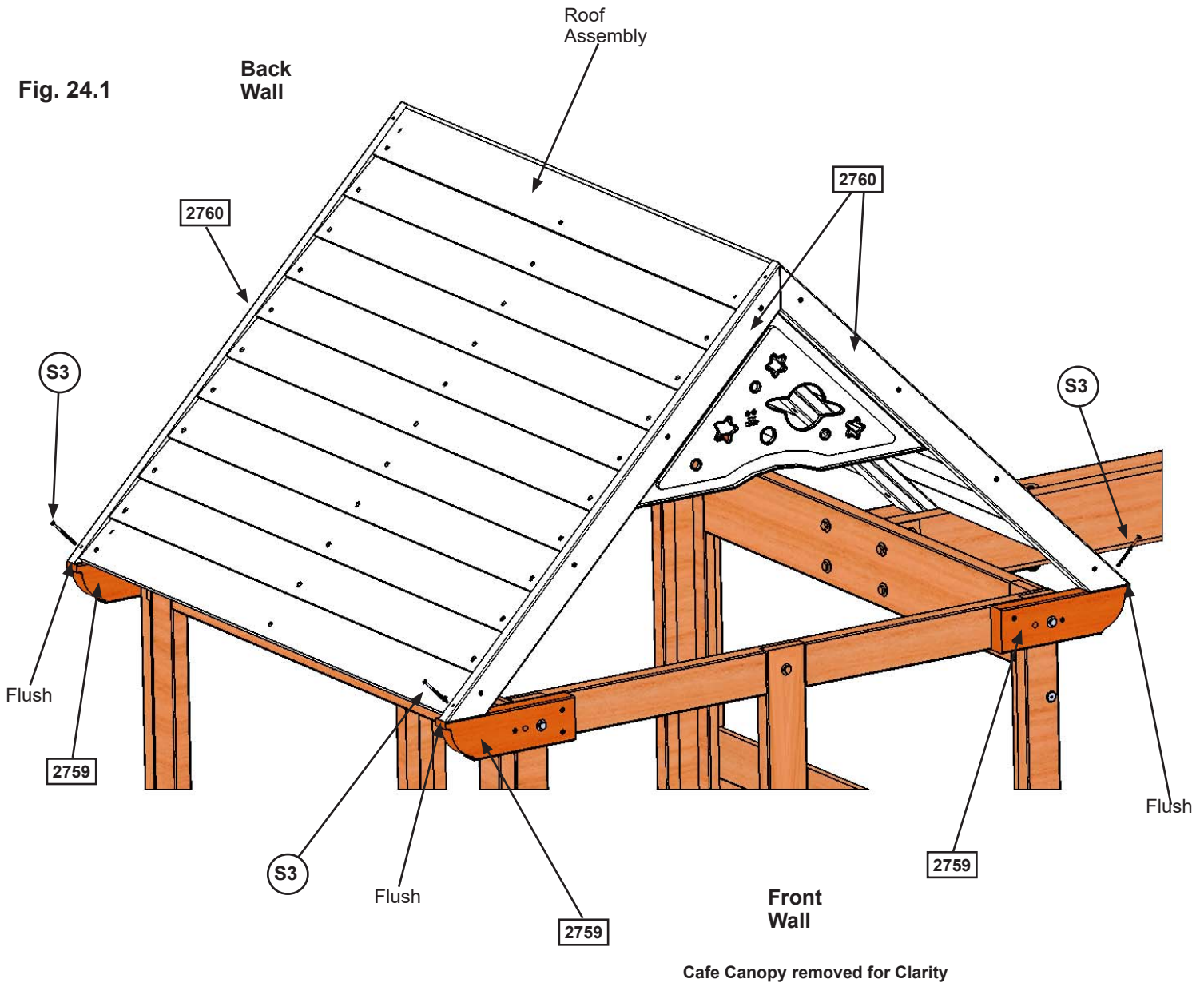
- 1 x Cafe Canopy Frame
- 1 x Cafe Canopy

Step 24: Attach Roof Assembly to Fort



A: With 2 people on the ground and at least 1 person in the fort, lift the Roof Assembly up and over the Back side of the fort. Guide the Roof Assembly onto the fort so all four (2760) Roof Supports sit flush to the front and outside edges of (2759) Roof Ends. (fig. 24.1)

B: Attach (2760) Roof Supports to (2759) Roof Ends with 1 (S3) Wood Screw per support. (fig. 24.1)



Hardware

4 x (S3) Wood Screw

Step 25: Attach Slide to Fort



A: Place Slide in the centre of the opening at the front of the fort as shown in the Echo Fort Guide, pre-drill with a 1/8" (3.2 mm) drill bit then attach slide to fort through the (2772) Panel Floor Support using 3 (S7) Pan Screws. (fig. 25.1 and 25.2)

Fig. 25.1

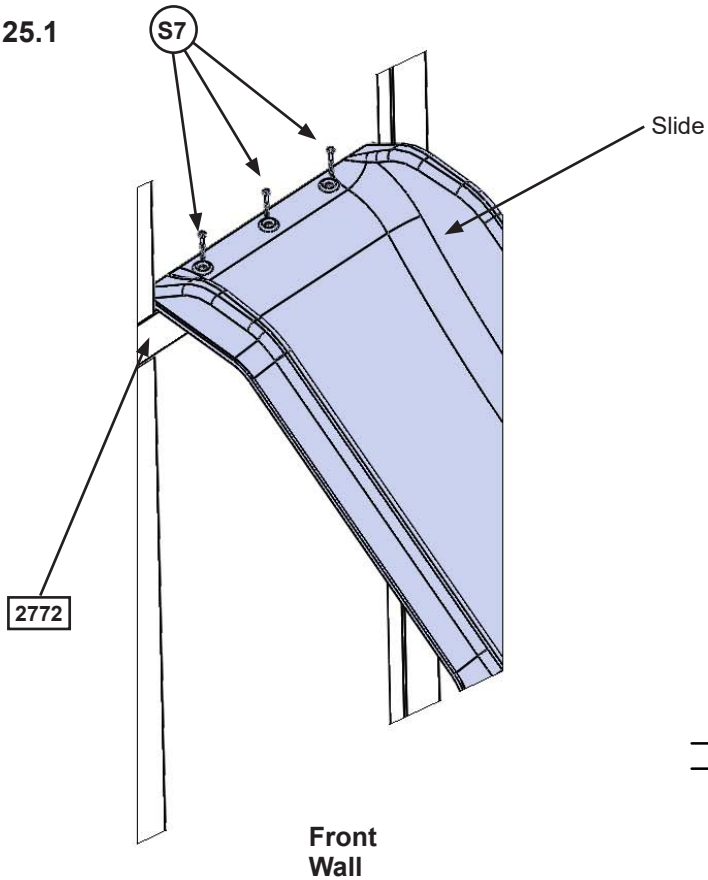
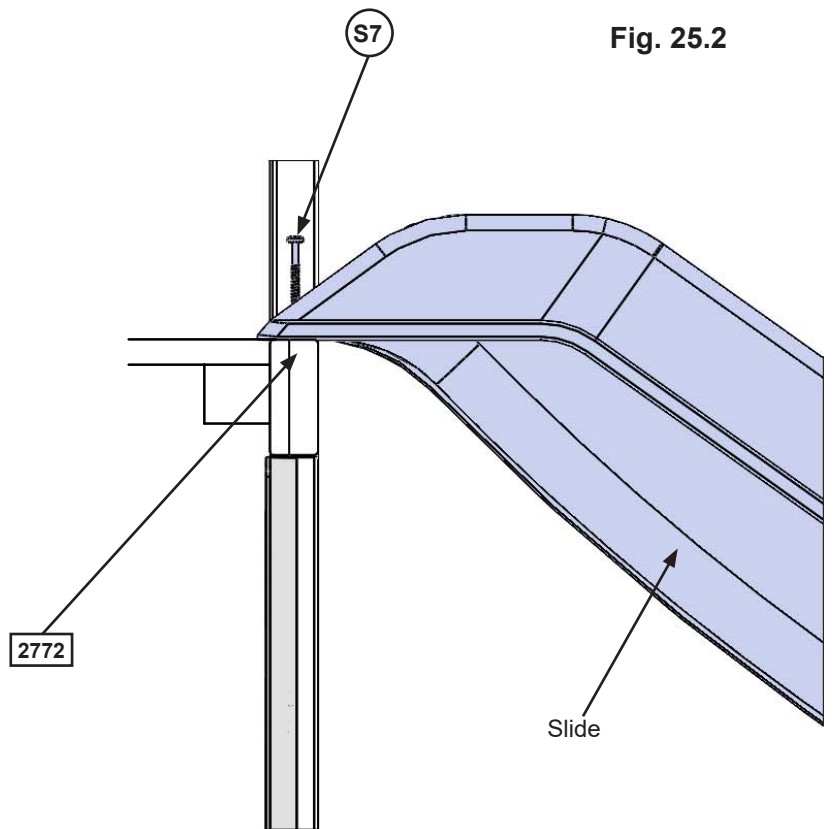


Fig. 25.2



Hardware

3 x  Pan Screw

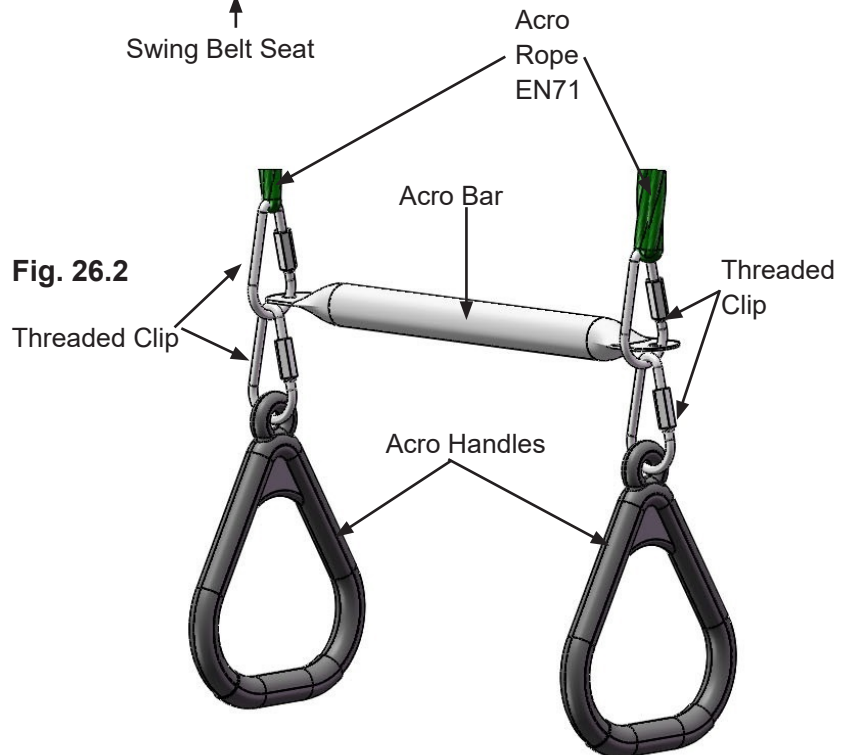
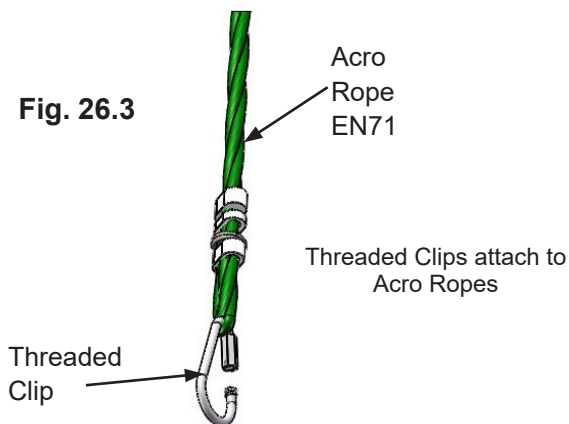
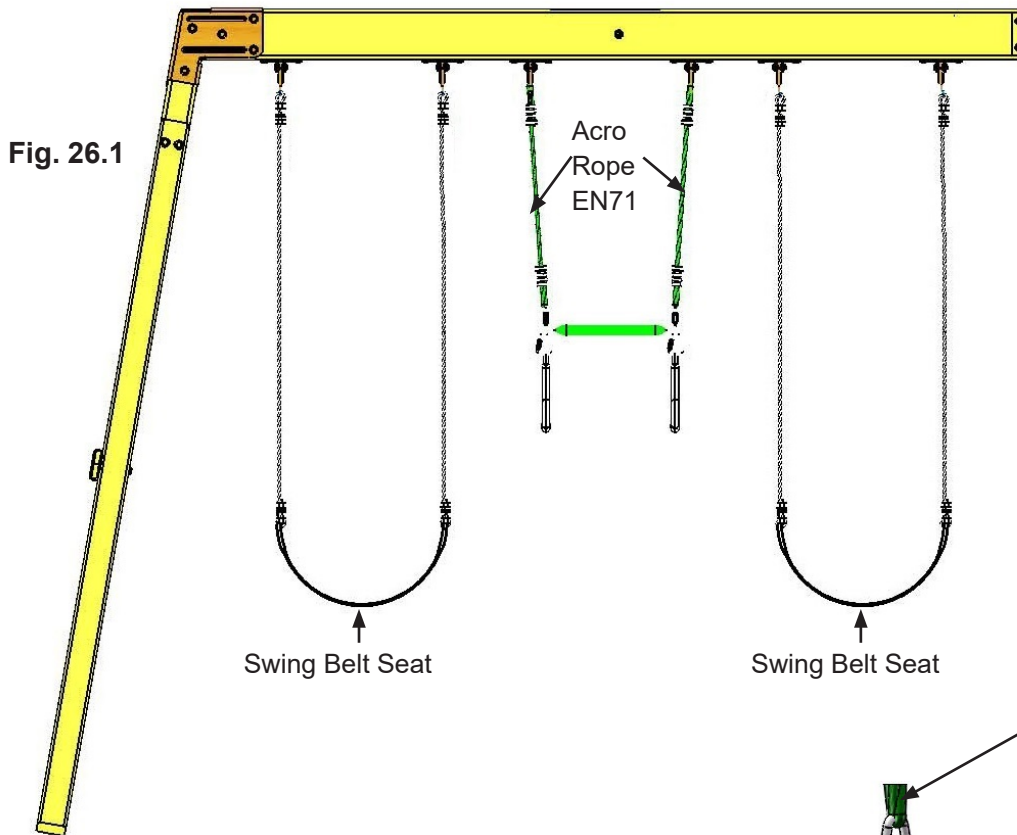
Other Parts

1 x Slide

Step 26: Attach Swings

A: Attach 1 Threaded Clip to each Acro Rope EN71 and the Acro Bar. Attach another Threaded Clip to each Acro Handle and join with first Threaded Clip. Make sure to close the Threaded Clip tightly using an adjustable wrench. (fig. 26.2 and 26.3)

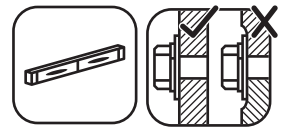
B: Attach the end of the swing and acro ropes to the Threaded Clips attached to the swing hangers. (fig. 26.1)



Other Parts

- 2 x Belt Swings
- 1 x Acro Bar
- 2 x Acro Handle
- 2 x Acro Rope EN71
- 4 x Threaded Clips

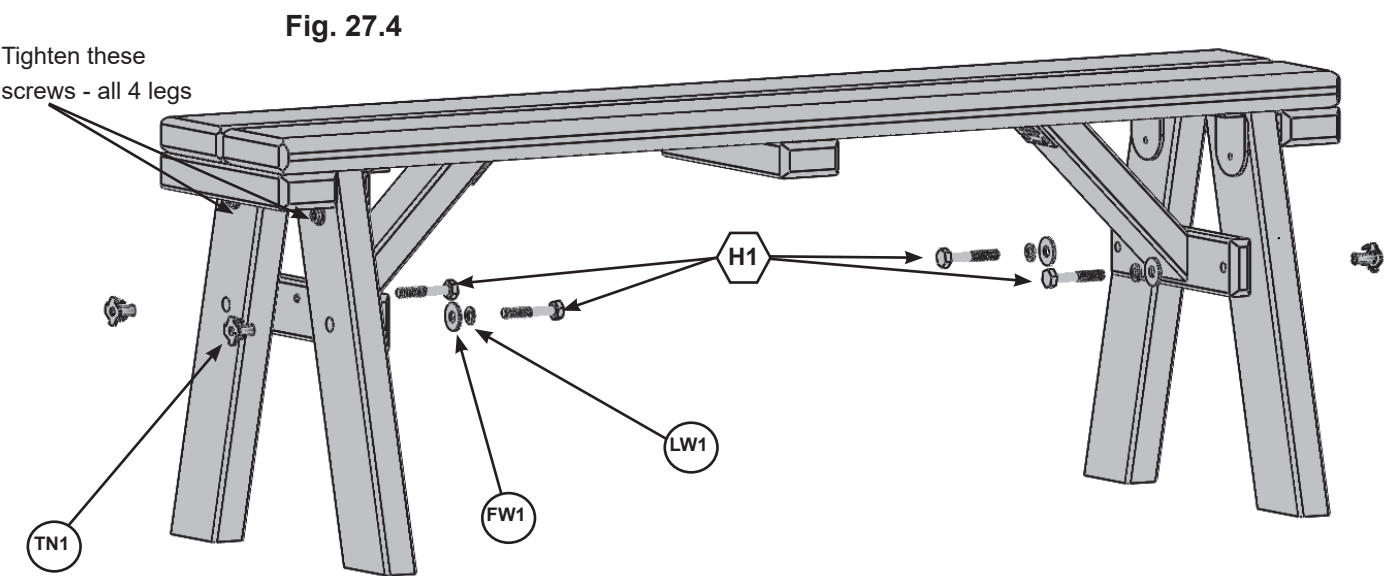
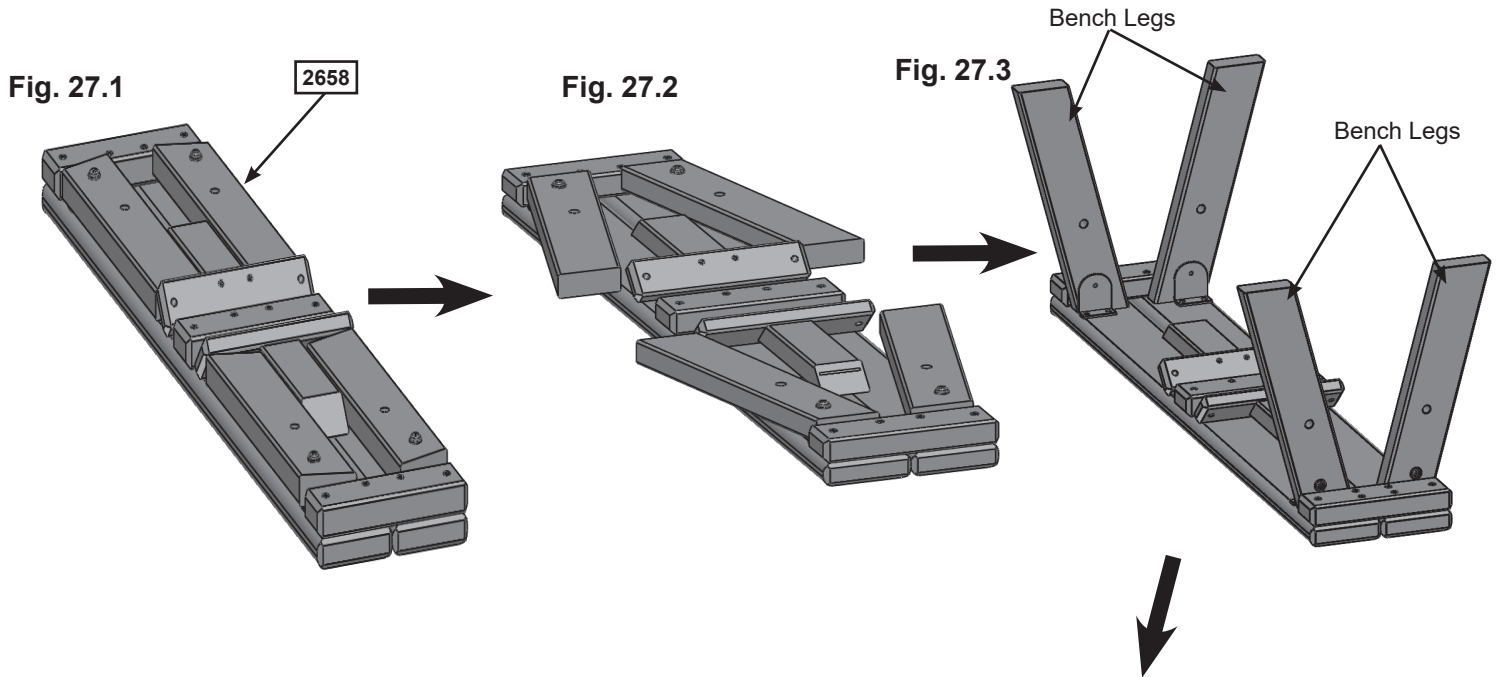
Step 27: Bench Assembly



A: Open the (2658) Folding Bench Assembly. (fig. 27.1, 27.2 and 27.3)

B: Make sure assembly is level then secure with 2 (H1) Hex Bolts (with lock washer, flat washer and t-nut) per side. (fig. 27.4)

C: Tighten the top screws in all 4 Bench Legs. (fig. 27.4)



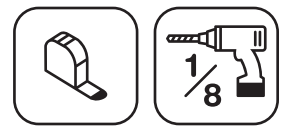
Wood Parts

1 x 2658 Folding Bench

Hardware

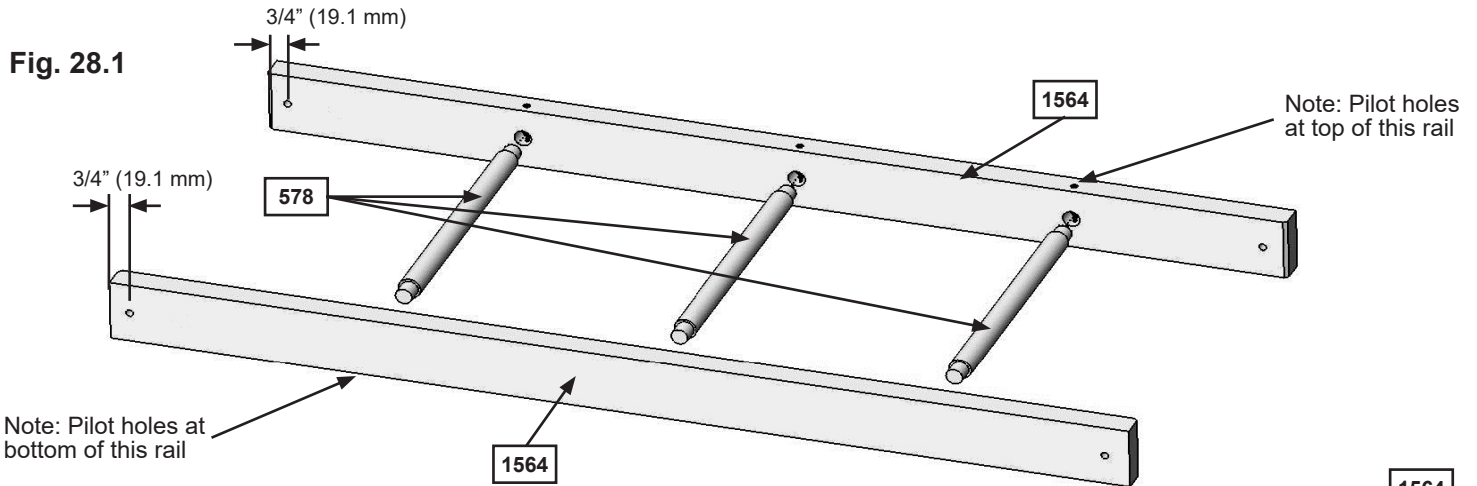
4 x H1 Hex Bolt
(lock washer, flat washer, t-nut)

Step 28: Monkey Rail Assembly



Pre-drill all pilot holes using a 1/8" (3.2 mm) drill bit before installing Wood Screws.

A: Insert 3 (578) Dowels into both (1564) MK Rail Longs as shown in fig. 28.1. Note the pilot holes in one of the (1564) MK Rail Long are on the bottom of the board.



B: Make sure shoulder of dowel is against each rail before pre-drilling pilot holes. Drill 1/8" (3.2 mm) pilot holes through the rails and into the dowels to prevent splitting. (fig. 28.2)

Fig. 28.2

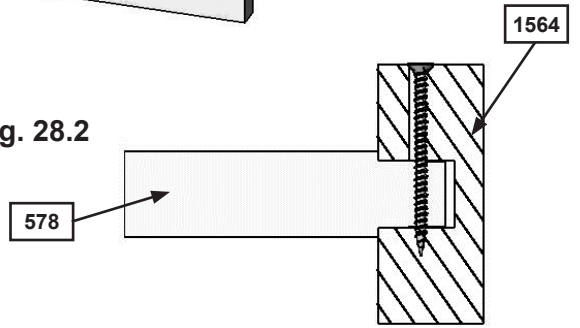
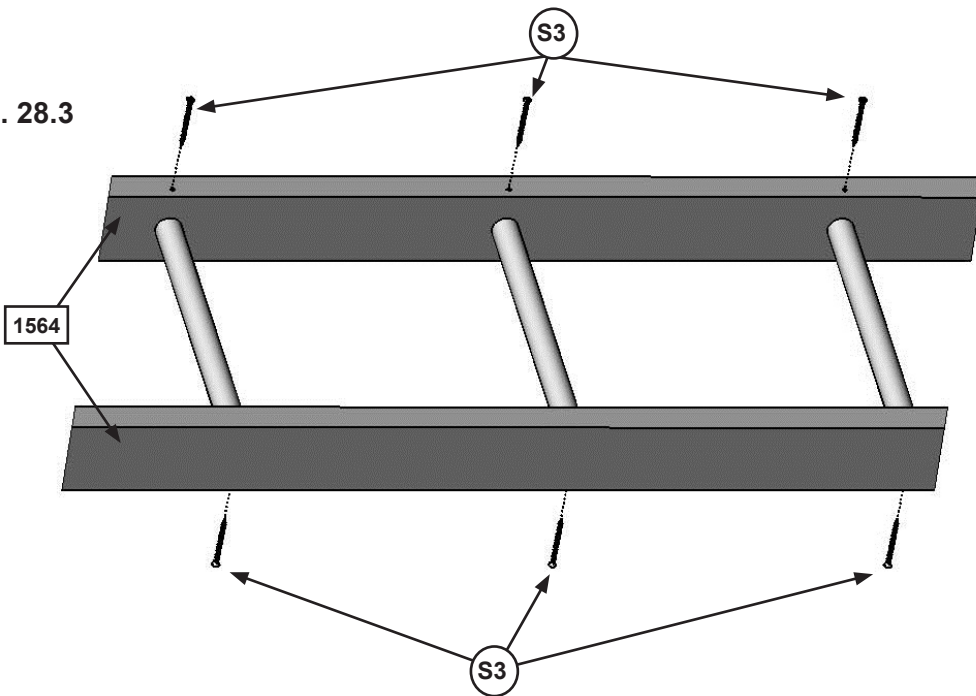


Fig. 28.3



C: Attach (578) Dowels to both rails with 2 (S3) Wood Screws per dowel. (fig. 28.3)

Wood Parts

- 3 x 578 Tennon Dowel
- 2 x 1564 MK Rail Long

Hardware

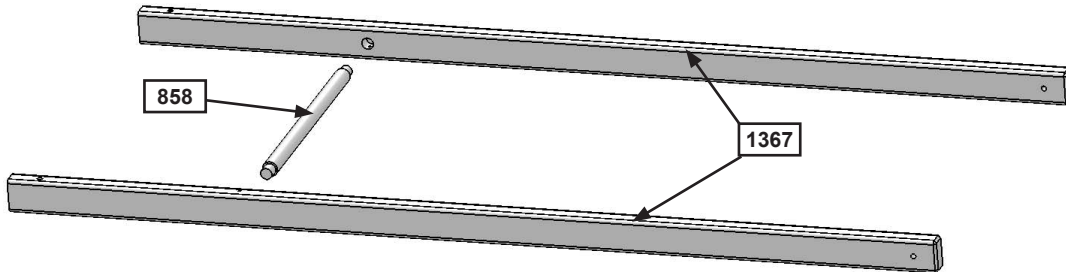
- 6 x S3 Wood Screw

Step 29: Monkey Ladder Assembly

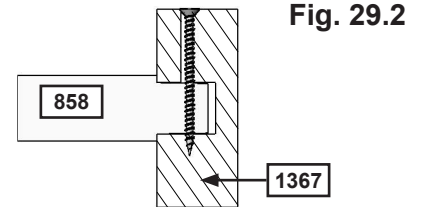


A: Insert 1 (858) Dowel into 2 (1367) Post MK as shown in fig. 29.1.

Fig. 29.1



B: Make sure shoulder of dowel is against each post before pre-drilling pilot holes. Drill 1/8" (3.2 mm) pilot holes through the posts and into the dowel to prevent splitting. (fig. 29.2)



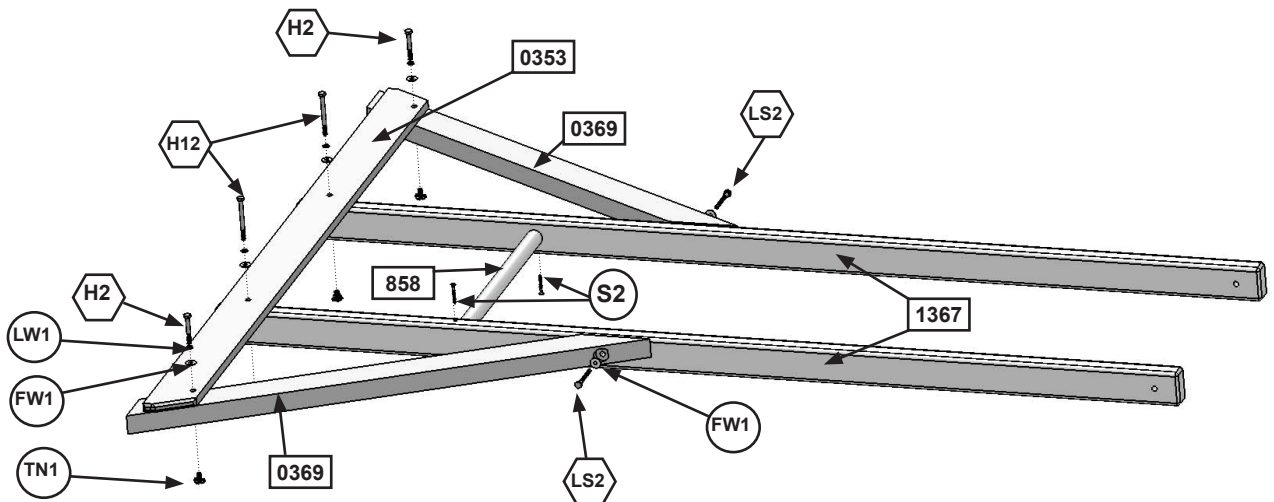
C: Attach (858) Dowel to both posts with 2 (S2) Wood Screws. One screw is installed from top of the rails and the other from the bottom as shown in fig. 29.3.

D: At bottom of (1367) Post MK attach (0353) MK Ground with 2 (H12) Hex Bolts (with lock washer, flat washer and t-nut). **Be sure to keep the bolts loose.** (fig. 29.3)

Note: Pre-drill all holes using a 1/8" (3.2 mm) drill bit before installing the lag screws.

E: Make sure the assembly is square and then attach 1 (0369) Lower Diagonal to each end of (0353) MK Ground with 1 (H2) Hex Bolt (with lock washer, flat washer and t-nut) per diagonal, keeping the bolts loose, and to each (1367) Post MK with 1 (LS2) Lag Screw (with flat washer) per diagonal. Once lag screws are installed tighten all bolts from Steps D & E. (fig. 29.3)

Fig. 29.3



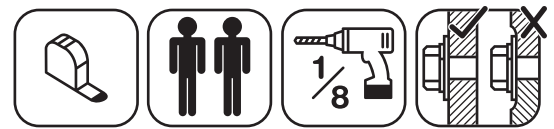
Wood Parts

- 2 x 0369 Lower Diagonal
- 1 x 0353 MK Ground
- 2 x 1367 Post MK
- 1 x 858 Tennon Dowel

Hardware

- 2 x H12 Hex Bolt (lock washer, flat washer, t-nut)
- 2 x H2 Hex Bolt (lock washer, flat washer, t-nut)
- 2 x LS2 Lag Screw (flat washer)
- 2 x S2 Wood Screw

Step 30: Connect Monkey Bar Assemblies



Note: Pre-drill all holes using a 1/8" (3.2 mm) drill bit before installing the pan screws.

A: Using a Monkey Bracket connect (1564) MK Rail Longs to each (1367) Post MK with 1 (G10) Hex Bolt (with lock washer, flat washer and t-nut) per bracket and Monkey Bracket to the rails using 2 (S6) Pan Screws per rail as shown in fig. 30.1 and 30.2.

B: Attach Monkey Bracket to both (1367) Post MKs with 2 (S6) Pan Screws per bracket. (fig. 30.2)

Fig. 30.2

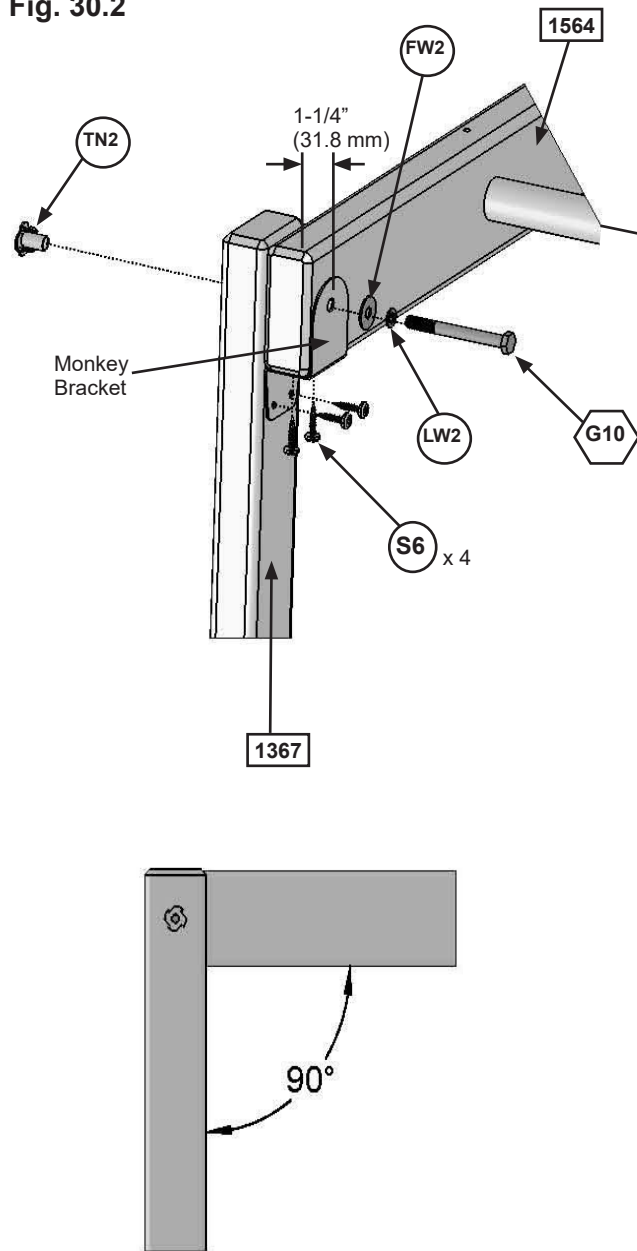
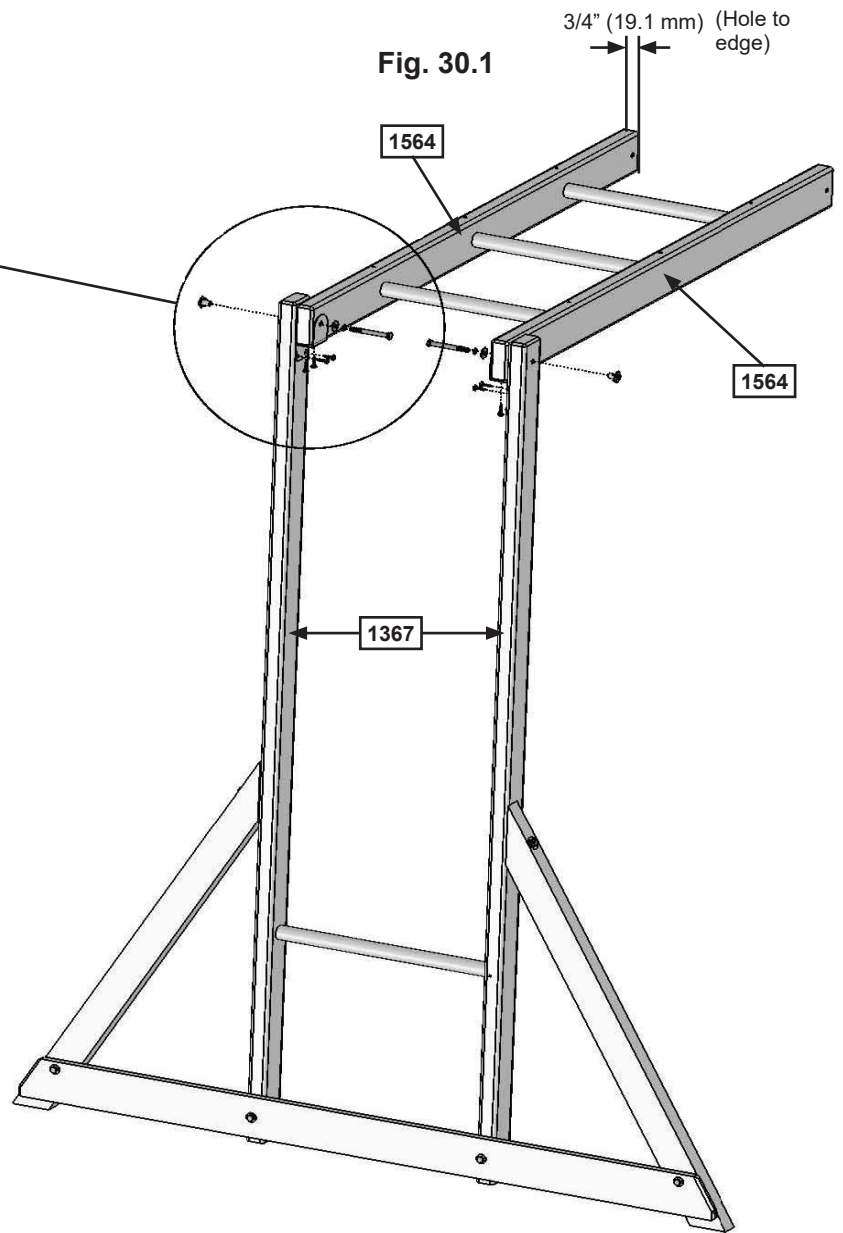


Fig. 30.1



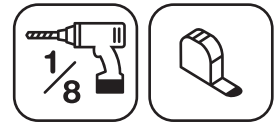
Hardware

- 2 x Hex Bolt (lock washer, flat washer, t-nut)
- 8 x Pan Screw

Other Parts

- 2 x Monkey Bracket

Step 31: Connect Monkey Bar Assembly to Fort



Pre-drill all pilot holes using a 1/8" (3.2 mm) drill bit before installing the lag screws.

A: In the opening in the End Wall measure 18" (457 mm) from the bottom of the opening on both sides then with a MB Mount Strap attach both (1564) MK Rail Longs to (2771) End Post and (2602) Upper Jamb using 1 (LS3) Lag Screw (with flat washer) in the centre hole and 2 (S6) Pan Screws in the 2 end holes per bracket as shown in fig. 31.1, 31.2 and 31.3.

Fig. 31.1

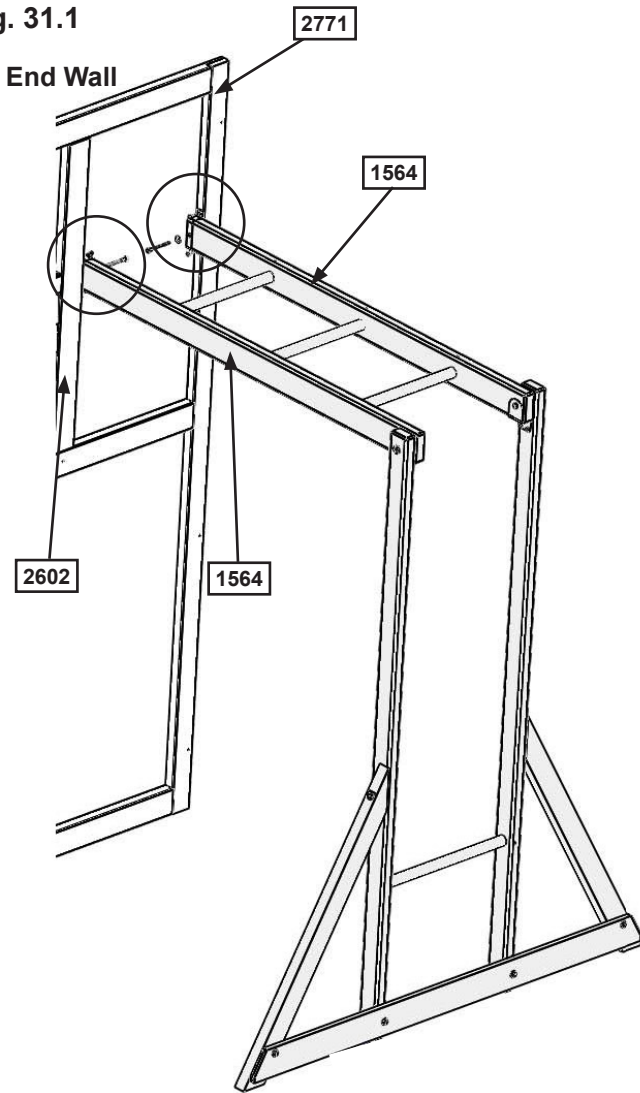


Fig. 31.2

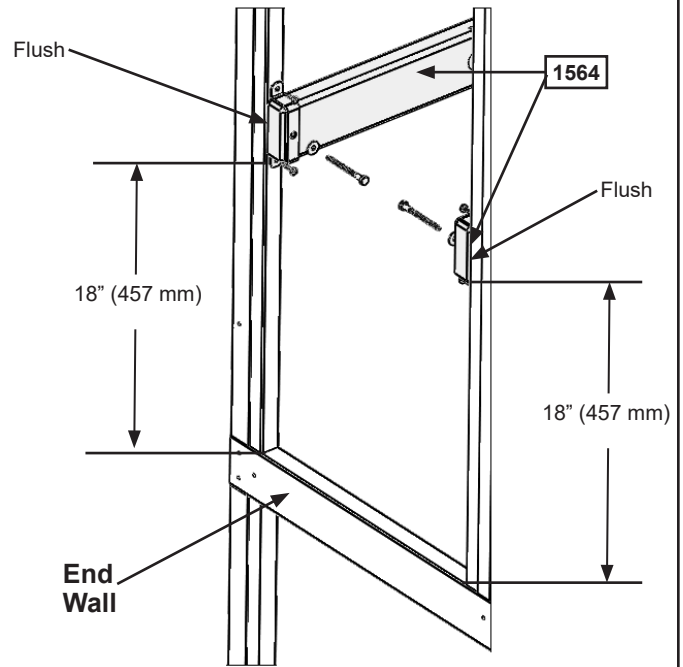
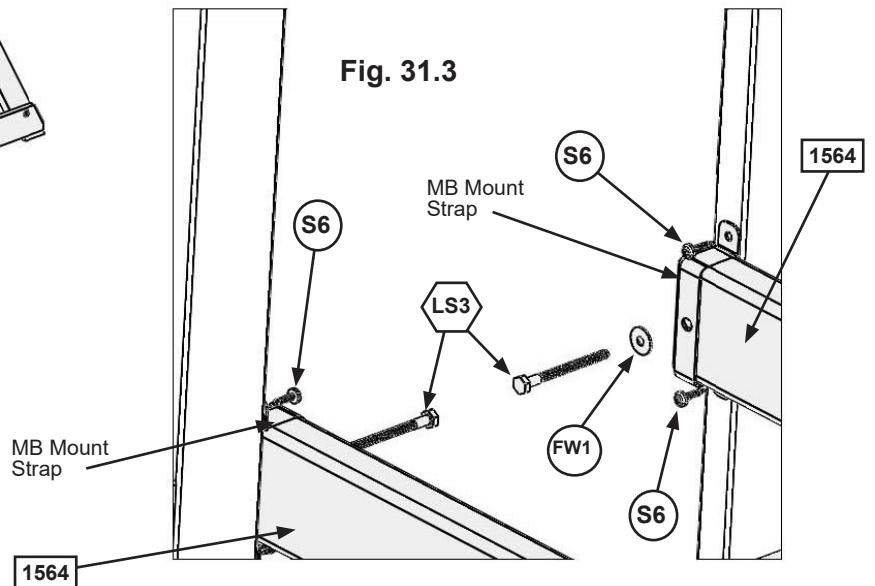


Fig. 31.3



Hardware

- 4 x Pan Screw
- 2 x Lag Screw (flat washer)

Other Parts

- 2 x MB Mount Strap

Step 32: Attach Monkey Ladder Ground Stake

A: Drive 1 Rebar Ground Stake 13" (330 mm) into the ground against (1367) Post MK then attach with 1 (S7) Pan Screw. Be careful not to hit the washer while hammering stake into the ground as this could cause the washer to break off. (fig. 32.1 and 32.2)

B: After driving stake into the ground, check for sharp edges caused by the impact of the hammer. Smooth any sharp edges from impact area and touch up with outdoor paint.

⚠Warning! To prevent tipping and avoid potential injury, stakes must be driven 13" (330 mm) into ground. Digging or driving stakes can be dangerous if you do not check first for under-ground wiring, cables or gas lines.

Fig. 32.1

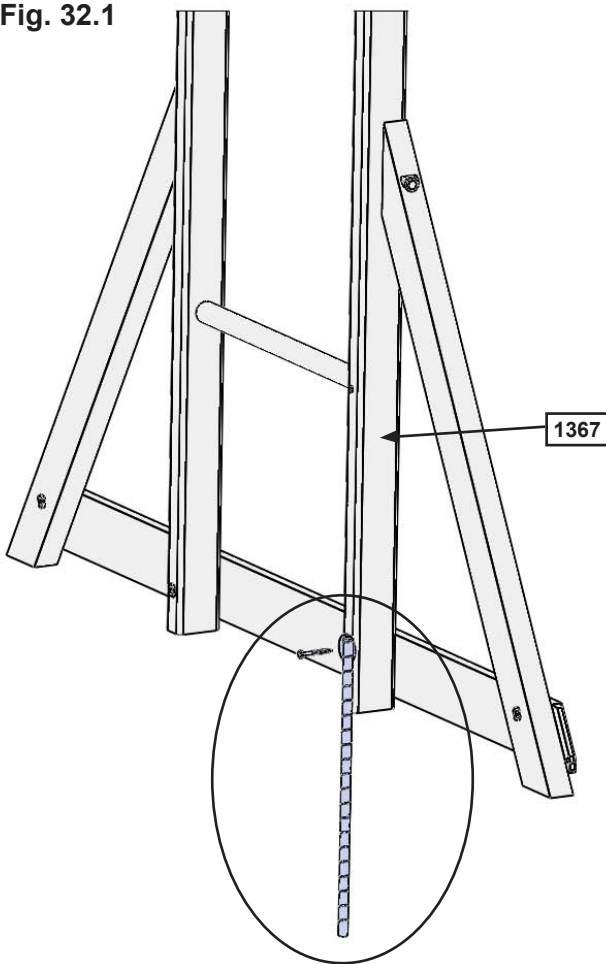
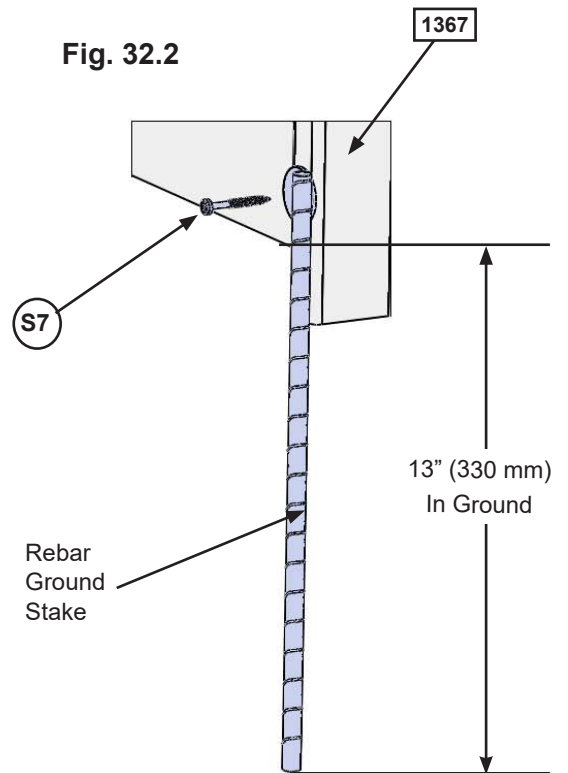


Fig. 32.2



Hardware

1 x (S7) Pan Screw

Other Parts

1 x Rebar Ground Stake

Step 33: Attach Window Mesh - Large

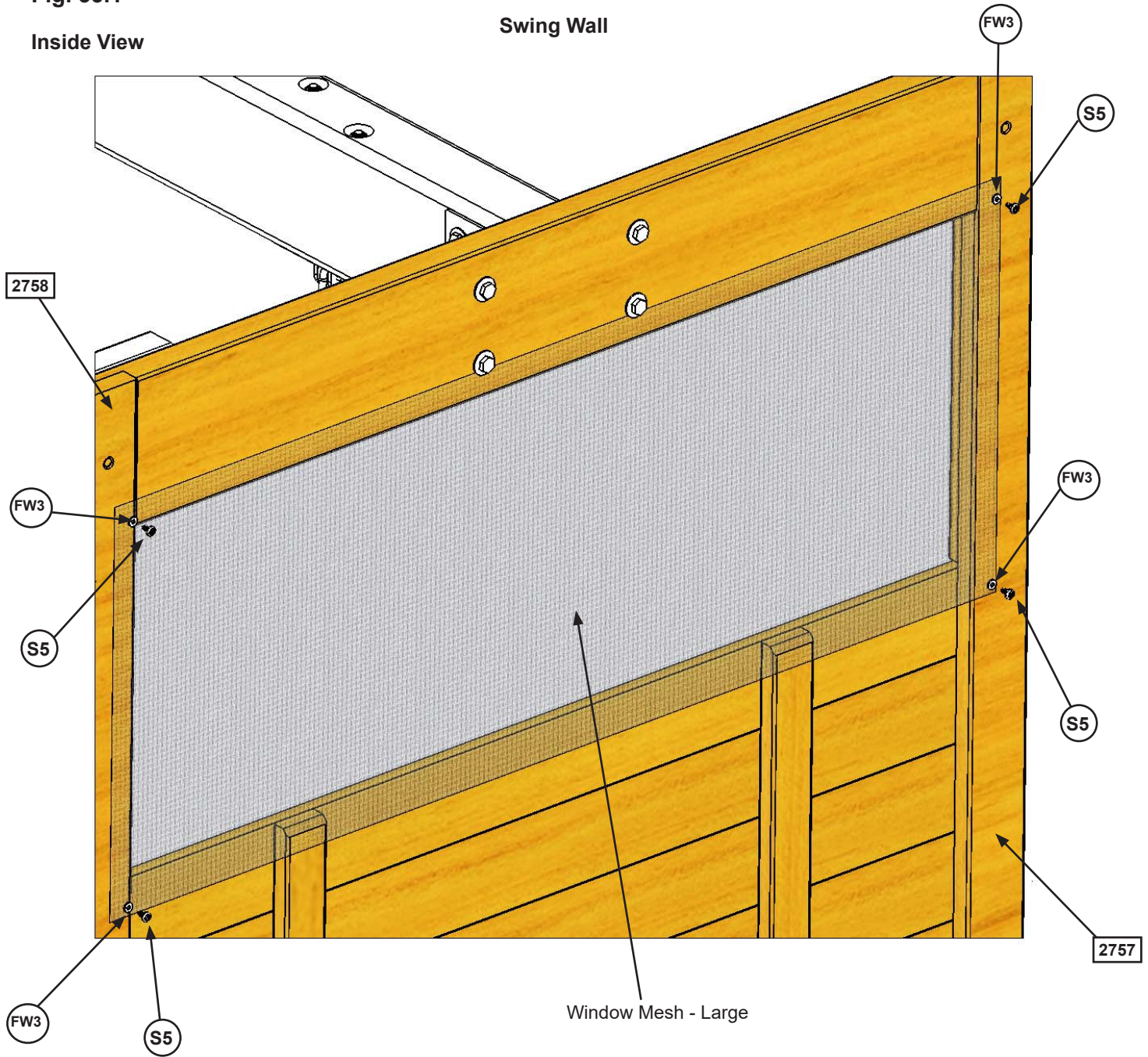
Part 1

A: From inside the assembly place the Window Mesh - Large over the upper opening in the Swing Wall, make sure the mesh is smooth and tight then attach all four corners to (2757) LT Post Assembly and (2758) RT Post Assembly with 4 (S5) Pan Screws (with #8 flat washers). (fig. 33.1)

Fig. 33.1

Inside View

Swing Wall



Hardware

4 x (S5) Pan Screw (#8 flat washer)

Other Parts

1 x Window Mesh - Large

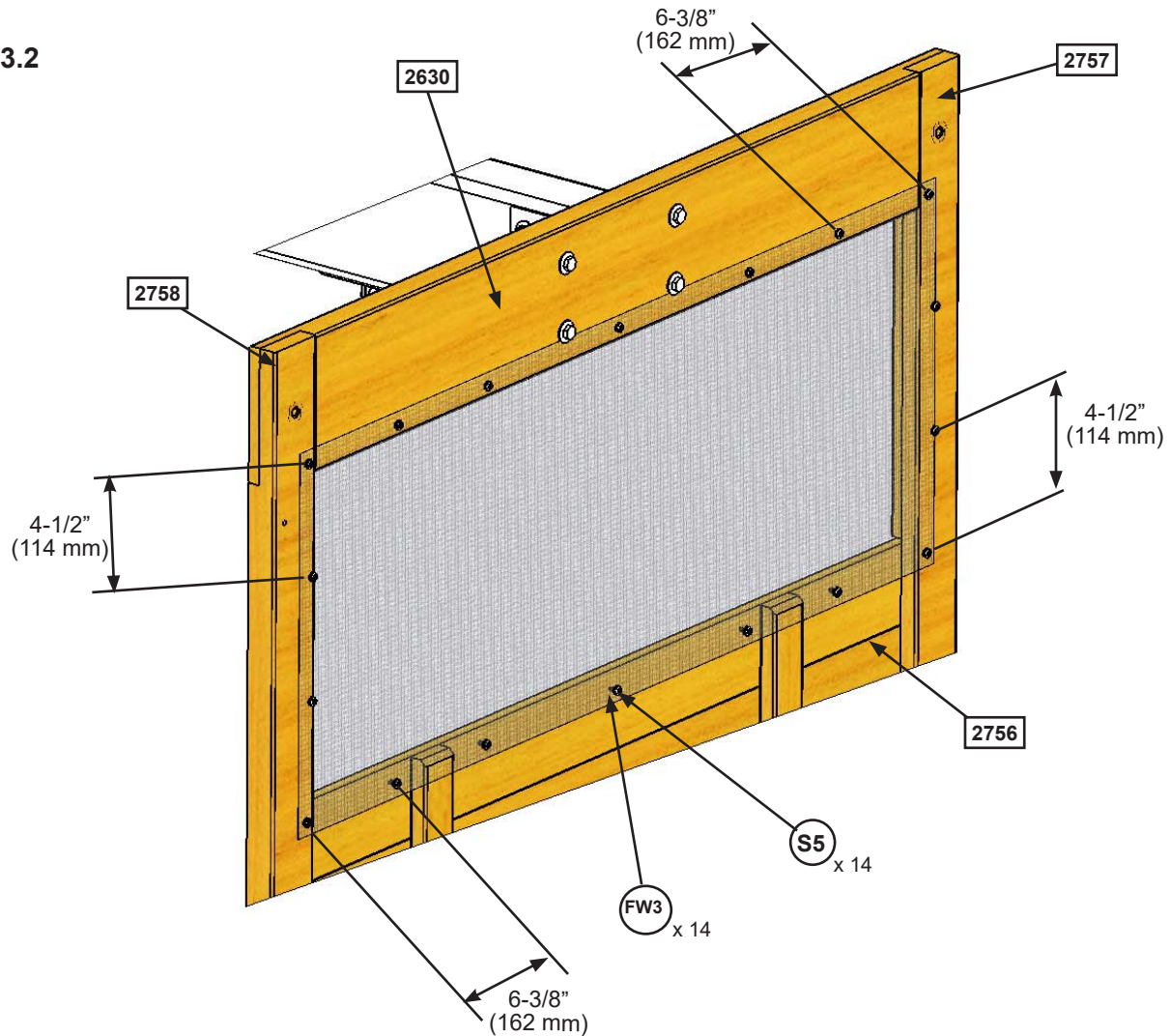
Step 33: Attach Window Mesh - Large Part 2



B: Along each side measure 4-1/2" (114 mm) down from the top screws and the same dimension up from the bottom screws then attach 2 (S5) Pan Screws (with #8 flat washer) per side to (2757) LT Post Assembly and (2758) RT Post Assembly. (fig. 33.2)

C: Along the top and bottom measure 6-3/8" (162 mm) in from the corner screws on one side then attach 5 (S5) Pan Screws (with #8 flat washer) to (2630) SW Top and (2756) Siding Assembly. Each screw to be the same dimension apart. (fig. 33.2)

Fig. 33.2



Hardware

14 x  Pan Screw (#8 flat washer)

Step 34: Attach Window Mesh - Small

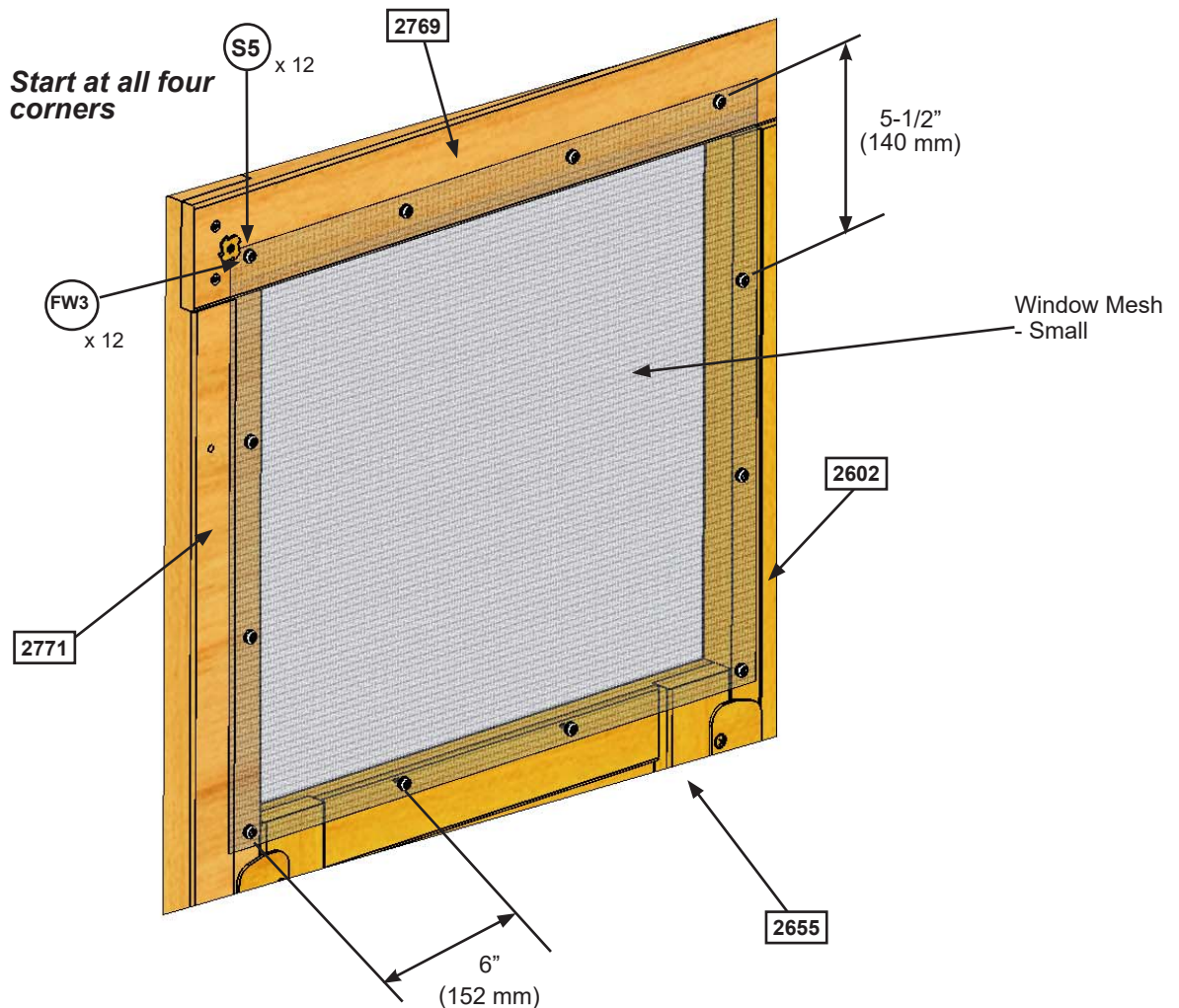


A: From inside the assembly place the Window Mesh - Small over the upper opening in the End Wall, make sure the mesh is smooth and tight then attach all four corners to (2771) End Post, (2602) Upper Jamb and (2769) Panel BT Frame with 4 (S5) Pan Screws (with #8 flat washers). (fig. 34.1)

B: Along each side measure 5-1/2" (140 mm) down from the top screws and the same dimension up from the bottom screws then attach 2 (S5) Pan Screws (with #8 flat washer) per side to (2771) End Post and (2602) Upper Jamb. (fig. 34.1)

C: Along the top and bottom measure 6" (152 mm) in from the corner screws on one side then attach 2 (S5) Pan Screws (with #8 flat washer) to (2769) Panel BT Frame and (2655) Upper Window Insert. Each screw to be the same dimension apart. (fig. 34.1)

Fig. 34.1



Hardware

12 x S5 Pan Screw (#8 flat washer)

Other Parts

1 x Window Mesh - Small

Step 35: Final Step

A: Inspect entire play centre and insert hole plugs into all unused holes. See fig. 35.1 and 35.2 for an example.

B: Check entire play centre for bolts protruding beyond t-nuts. Use extra Washers to eliminate this condition.

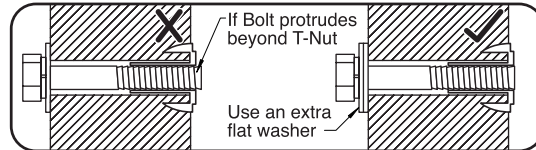


Fig. 35.1

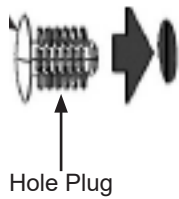
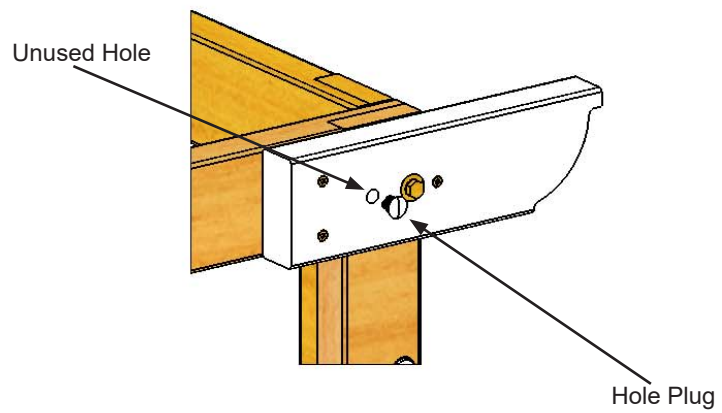


Fig. 35.2



Hardware

10 x Hole Plugs

Final Step: Attach I.D. Plaque

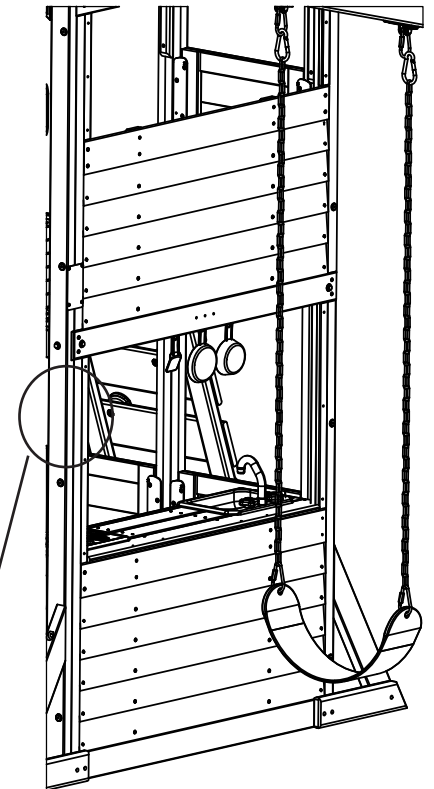
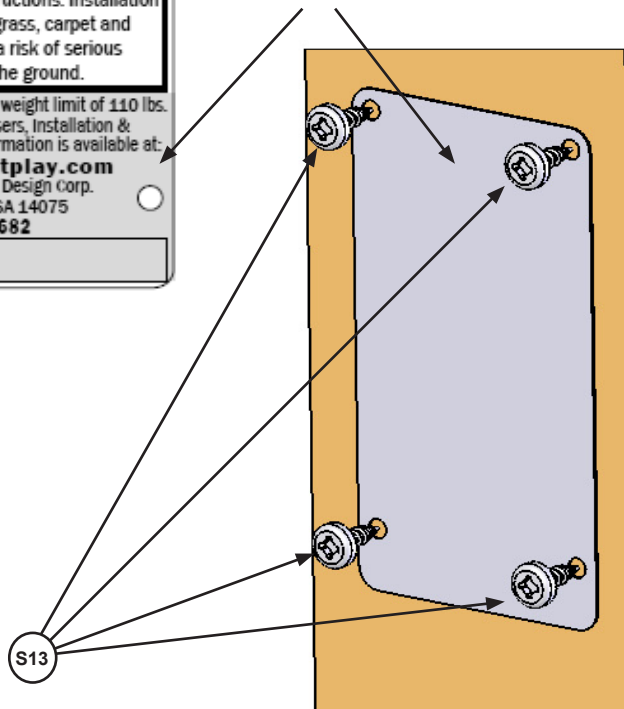
ATTACH THIS WARNING & I.D. PLAQUE TO THIS LOCATION ON YOUR PLAY EQUIPMENT!

This provides warnings concerning safety and important contact information. A Tracking Number is provided to allow you to get critical information or order replacement parts for this specific model.



A: Attach I.D. Plaque - Cedar Summit to a location on your set that is easily seen and read by a supervising adult using 4 (S13) #6 x 5/8" Pan Screws as shown below.

I.D. Plaque - Cedar Summit



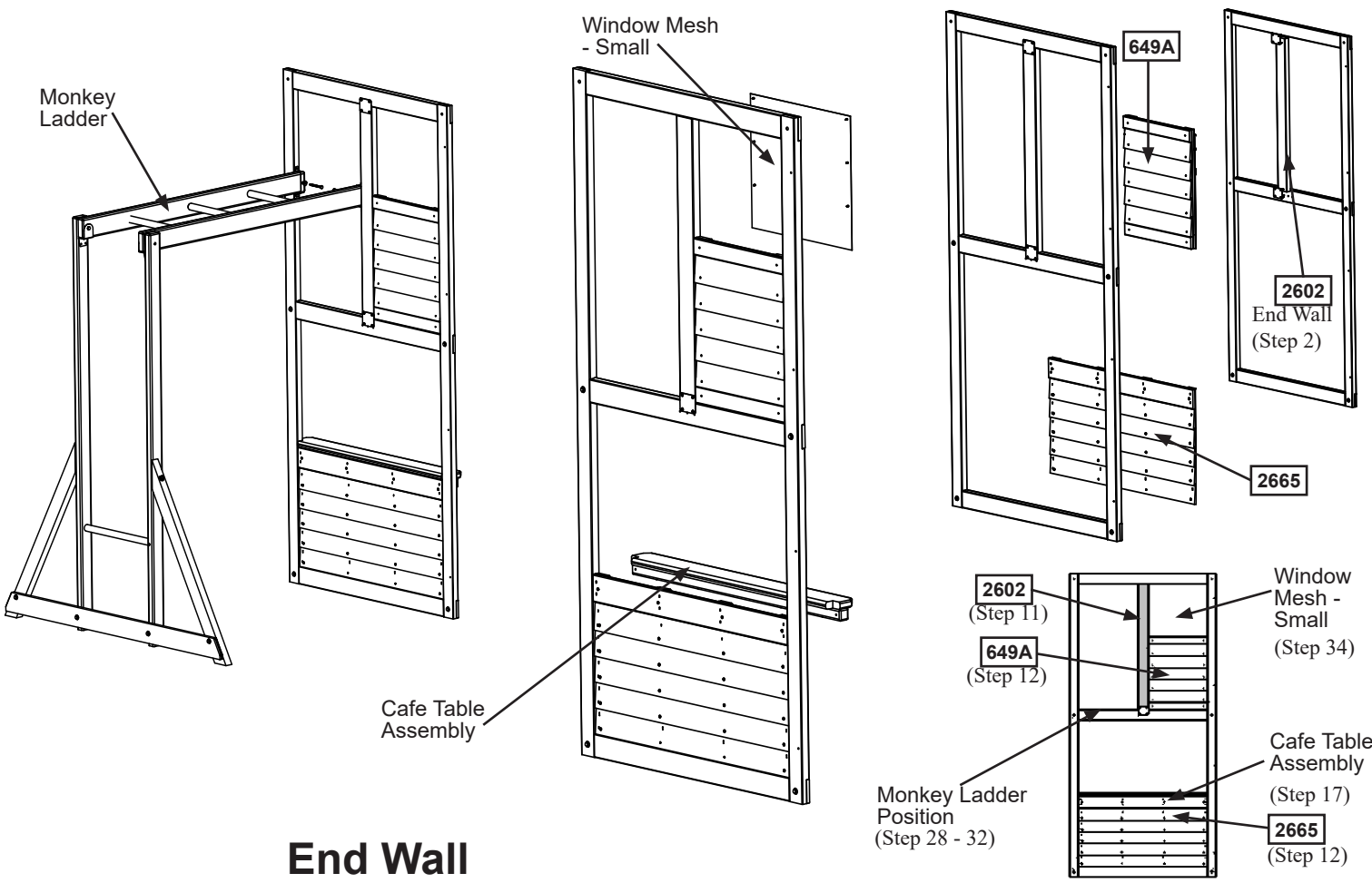
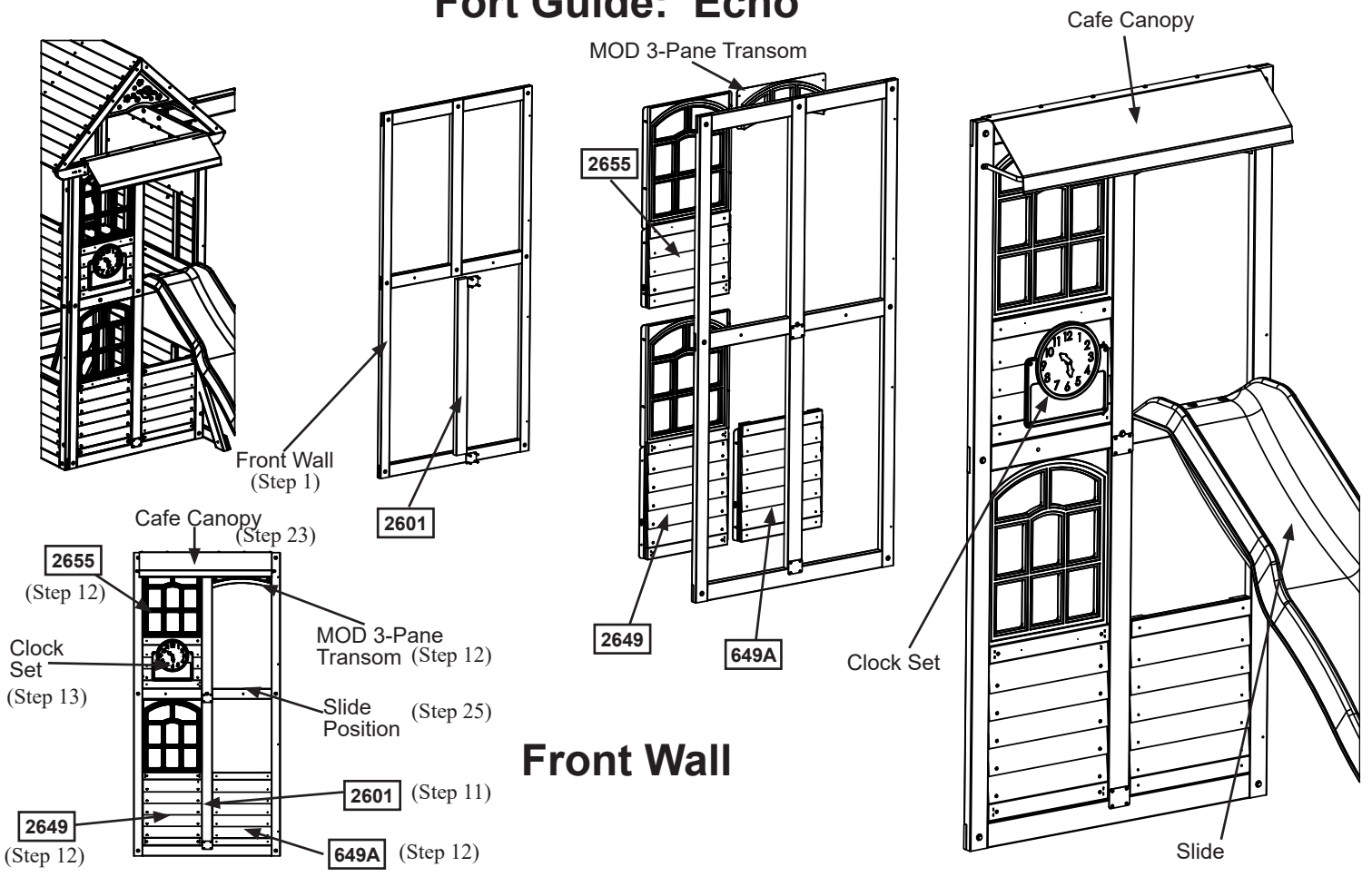
Hardware

4 x **(S13)** #6 x 5/8" Pan Screw

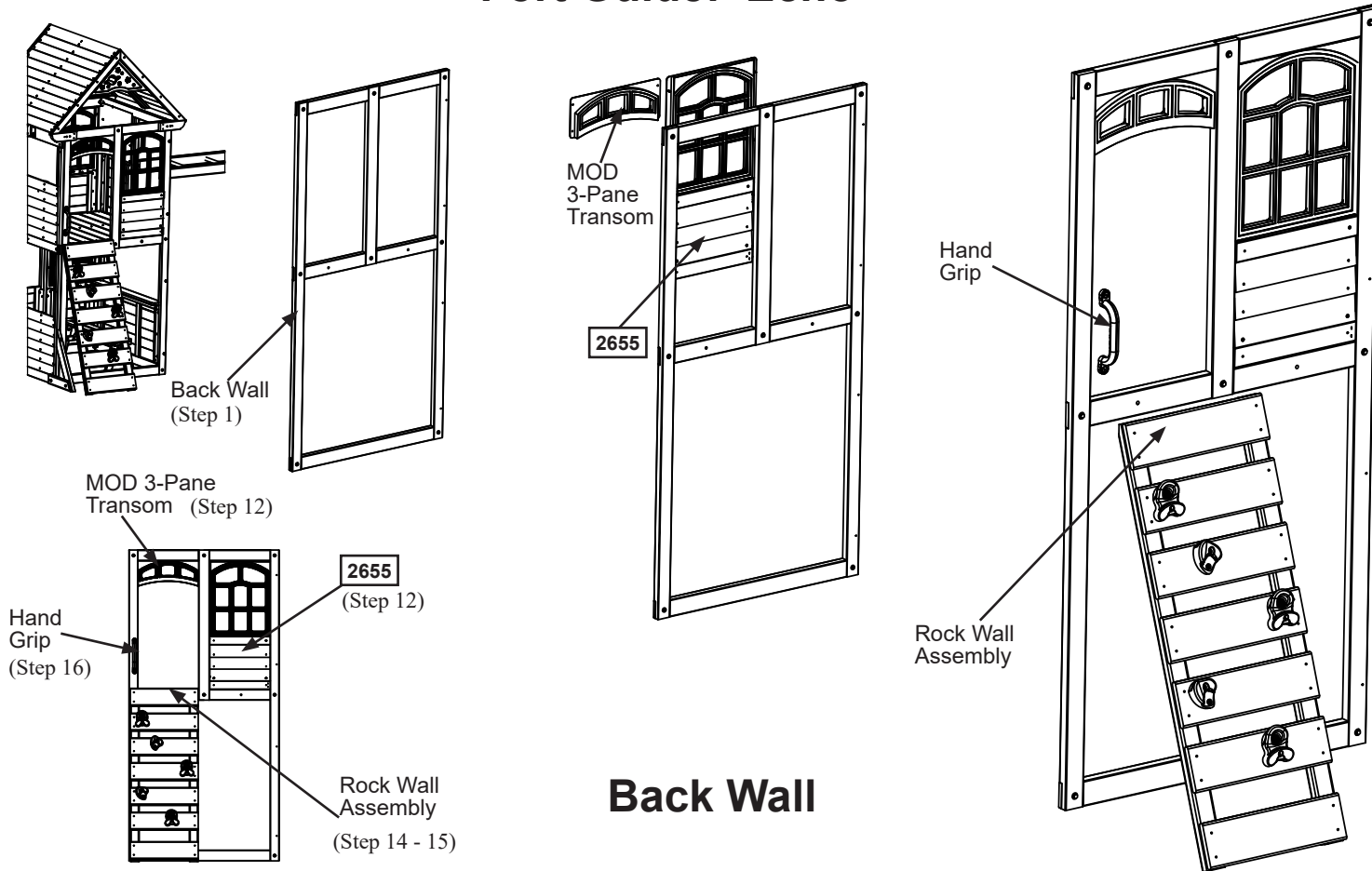
Other Parts

1 x I.D. Plaque - Cedar Summit

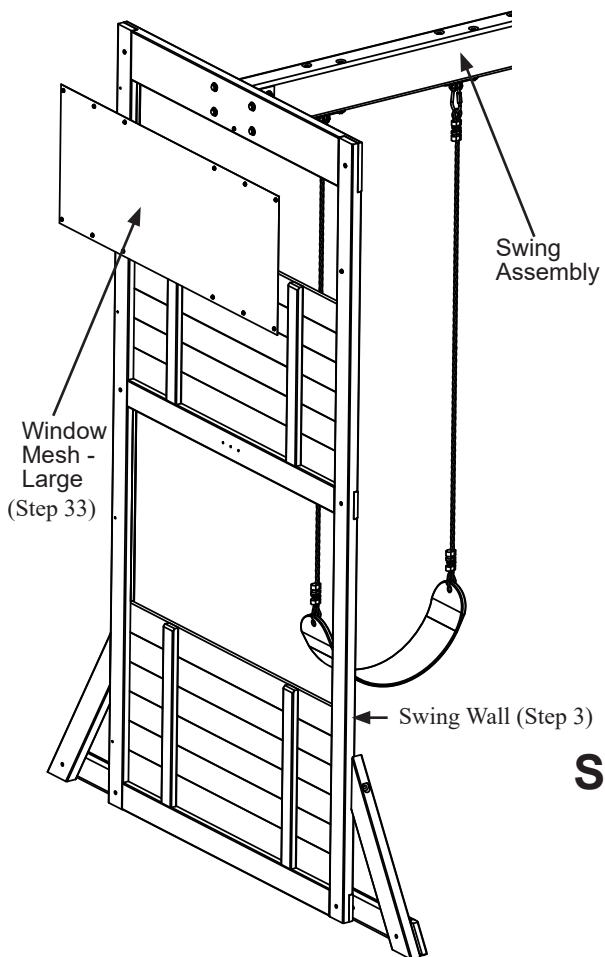
Fort Guide: Echo



Fort Guide: Echo



Back Wall



Swing Wall

Maximum Number of Users: 12

