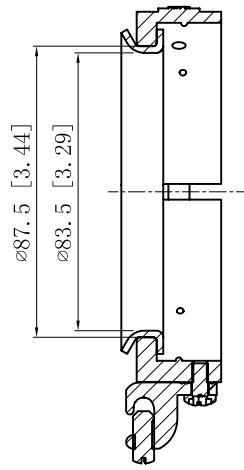
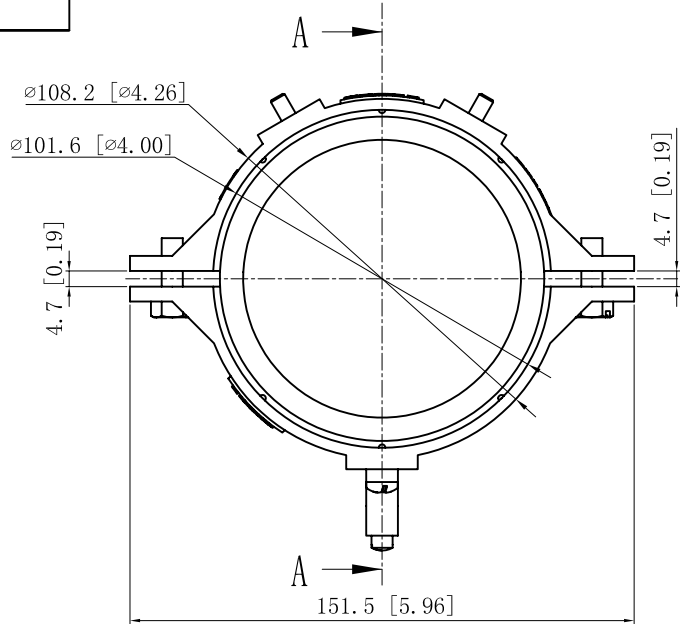
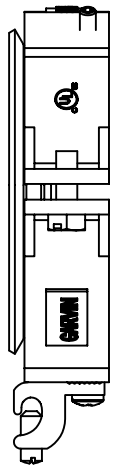
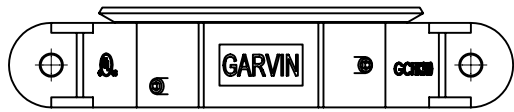
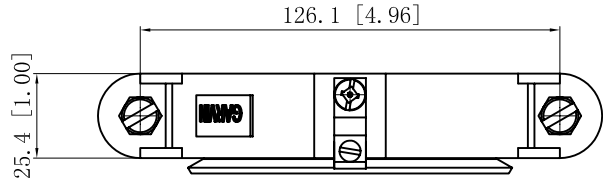
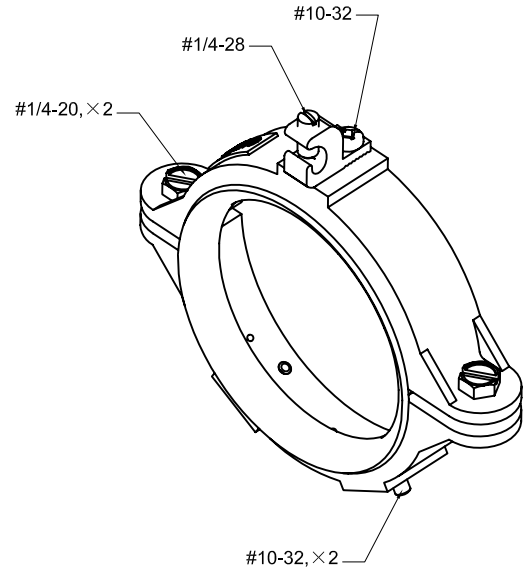


SIDES	BOTTOM
1 PCS 10-32×3/8 Screws Installed	
1 PCS 1/4-28×5/8 Screws Installed	
2 PCS 1/4-20×3/4 Screws Installed	
2 PCS #10-32×1/2 Set Screws Installed	
1 set split bushing pack in poly-bag	
Material: Zamak-ZAMAK 3	



CUTAWAY VIEW A-A



DESCRIPTION	
Patent Pending	
TRADE REFERENCE TERMS	

STANDARD PACKING
10 PCS

This data sheet is for reference only .GARVIN INDUSTRIES reserves the right to make changes to the design without prior notice.

<b>GARVIN INDUSTRIES</b>		
GROUND CHOKE		
TITLE		
SIZE	DWG NO.	REV
A4	GCHK-350	D
DATA SHEET		