

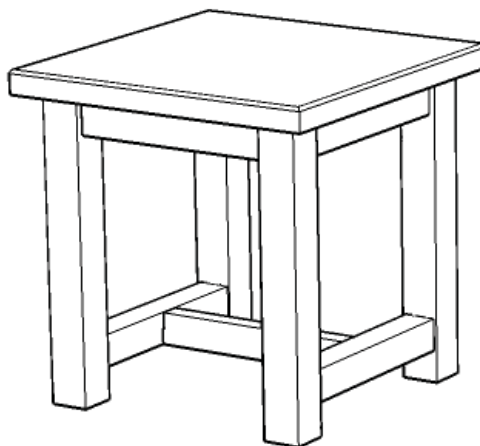
88 5133 20 Concrete Chic End Table

IMPORTANT NOTE

Carefully remove all the parts from the carton and put them individually on a soft cloth to prevent scratches or other damage occurring to the parts.

We have taken great care in the design of this product and request that you carefully and strictly follow our assembly instructions to ensure a completed product as it was designed.

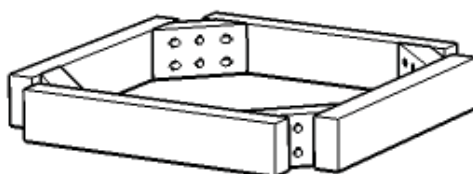
Home
Styles



Part List



A.
Top
1 pc.



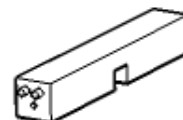
B.
Top Frame
1 pc.



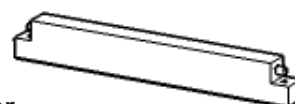
C.
Leg
2 pcs.



D.
Leg
2 pcs.



E.
Stretcher
2 pcs.

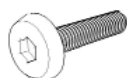


F.
Stretcher
1 pc.

Hardware List



Hex Wrench
1 pc.



Head Cap Bolt (short)
4 pcs. (+ 1 extra)



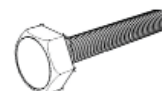
Small Flat Washer
6 pc. (+ 1 extra)



Medium Flat Washer
4 pc. (+ 1 extra)



Large Flat Washer
8 pc. (+ 1 extra)



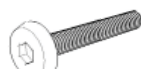
Bolt
8 pcs. (+ 1 extra)



Small
Hex Wrench
1 pc.



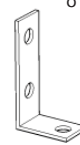
Key Wrench
1 pc.



Head Cap Bolt (long)
6 pcs. (+ 1 extra)



Spring Washer
8 pc. (+ 1 extra)



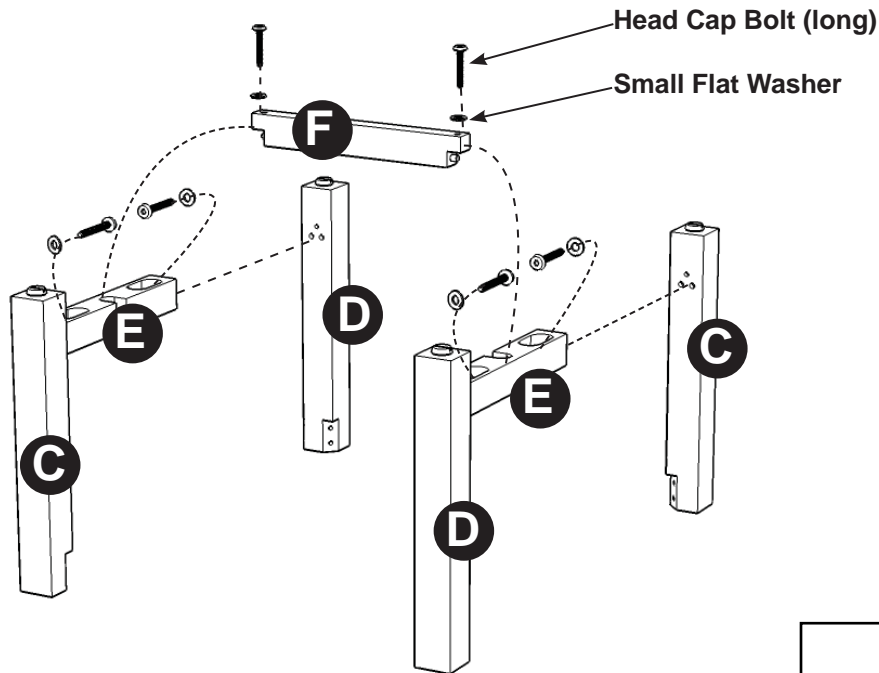
Steel Plate
4 pcs. (+ 1 extra)

Tools recommended for assembly : Level

Home Styles Consumer Assistance: www.homestyles-furniture.com,
servicedesk@homestyles-furniture.com, 888-680-7460, 877-831-0319

IMPORTANT

- * Do not tighten up all the bolts until each part is properly assembled.
- * You should keep Hex Wrench in a safe place as you may need to tighten up the Head Cap Bolts in the future.
- * Use a soft cloth between these parts and the floor.



STEP 1

Attach Legs (C) and (D) to Stretcher (E) with Head Cap Bolts (long), and Small Flat Washers. (See figure 1)

Attach Stretchers (F) to unit with Head Cap Bolts (long), and Small Flat Washers.

Tighten Head Cap Bolts only halfway.

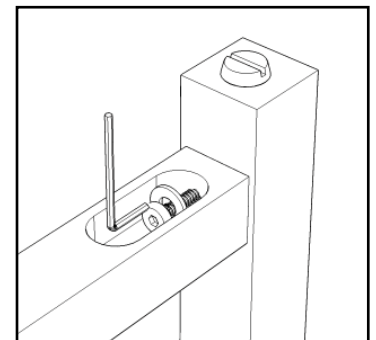


Figure 1

STEP 2

Attach unit to Top Frame (B) with Steel Plates, Large Flat Washers, Spring Washers and Bolts. (See figure 2)

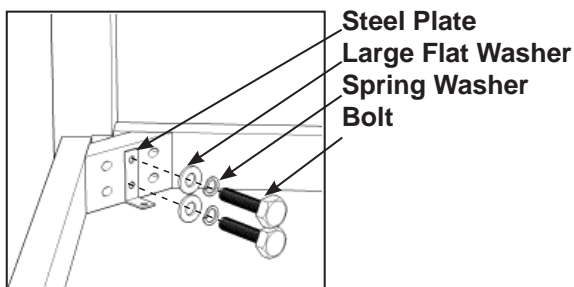
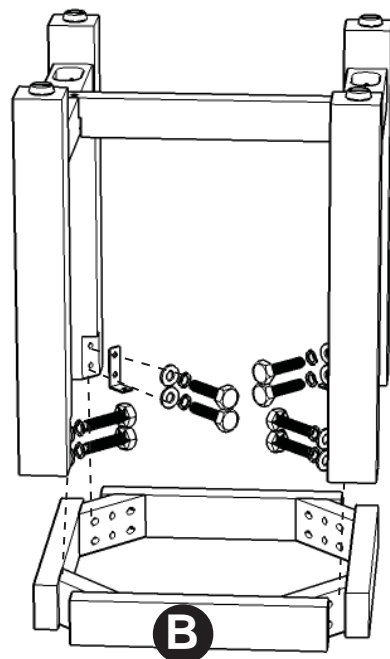


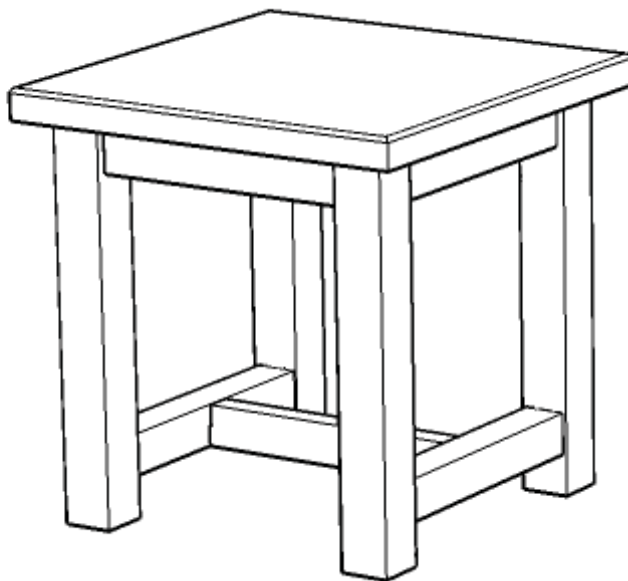
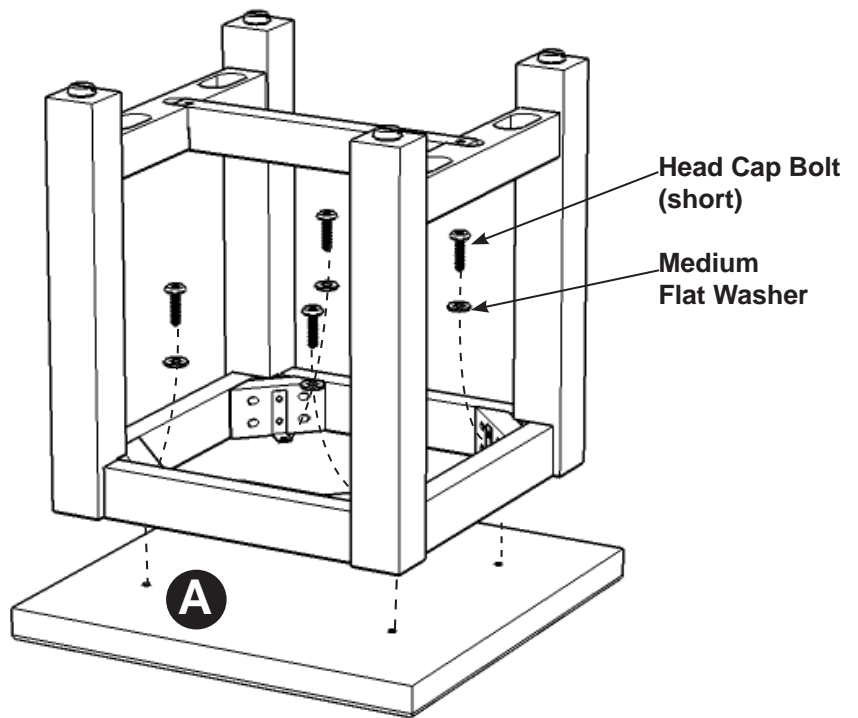
Figure 2



STEP 3

Attach unit to Top (A) with Head Cap Bolts (short), and Medium Flat Washers.

Tighten all Bolts.



STEP 4

Turn the unit over to its' upright position.

To level the unit, adjust the adjustable levelers on the bottom of unit. (See figure 3)

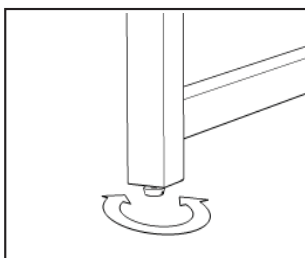


Figure 3