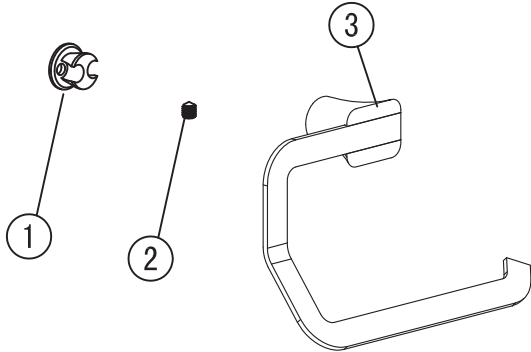




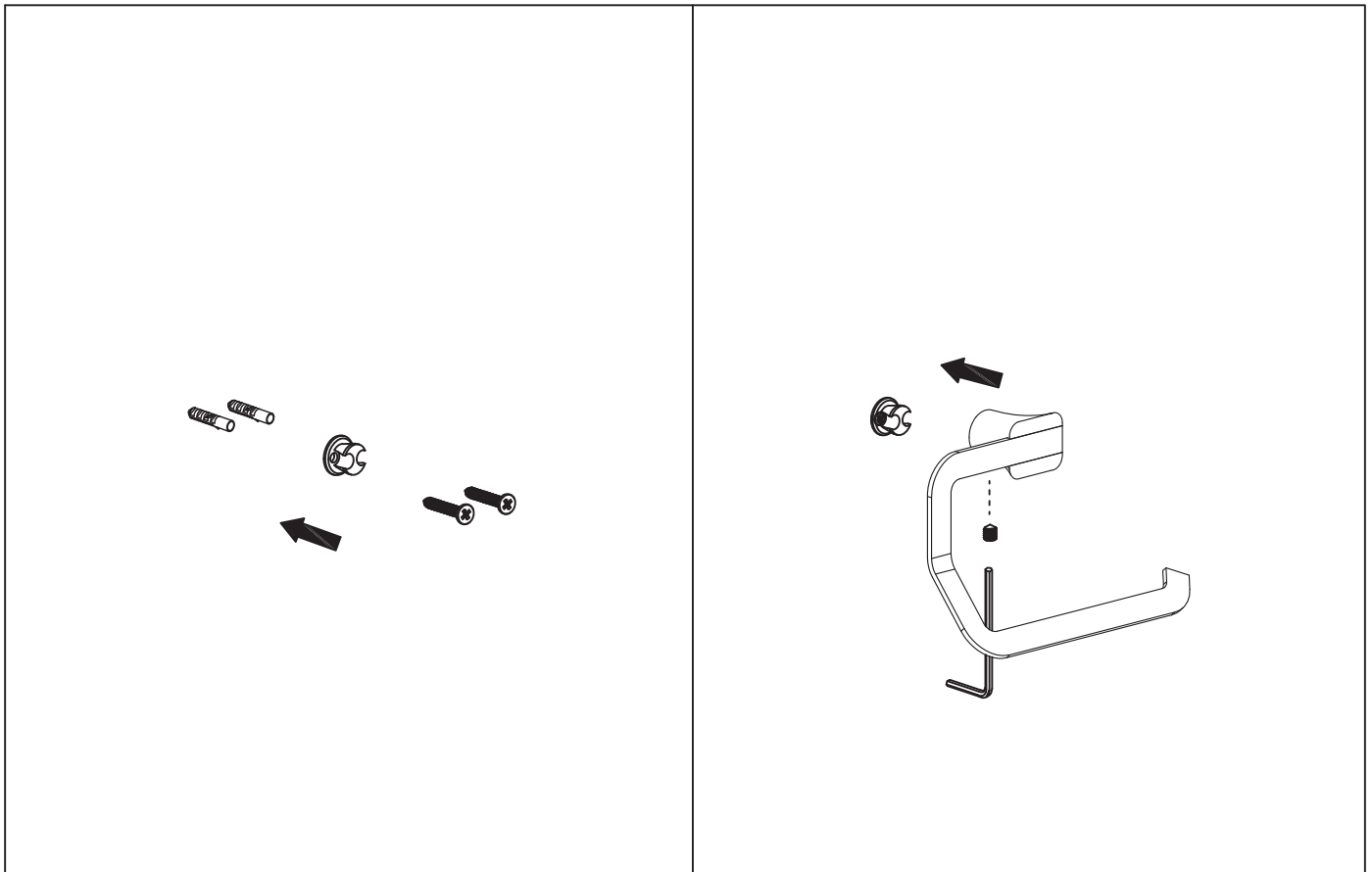
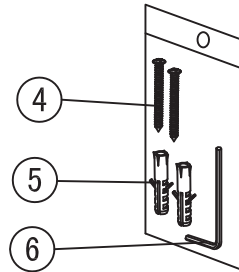
ANZZI™

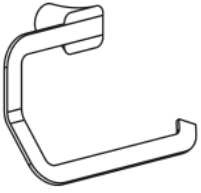
AC-AZ054

Have questions? Call us at 1-844-44-ANZZI or visit us at www.ANZZI.com.



Code	The Accessory List	Quantity
1	Fixing base	1
2	Screw	1
3	Tissue holder	1
4	Screw	2
5	Plastic insert	2
6	Allen key	1





ANZZI™

AC-AZ054

Have questions? Call us at 1-844-44-ANZZI or visit us at www.ANZZI.com.

