

evenflo®

Big Kid® Sport™

Booster Seat

Owner's Manual

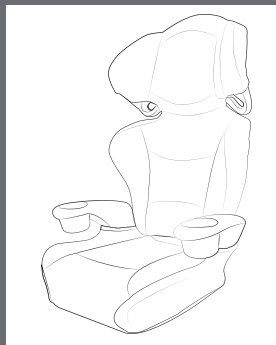
Keep instructions for future use.

Child Requirements*

18 to 45.3 kg
(40 to 100 lbs)

112 to 145 cm
(44 to 57 in.)

At least 4 years old



* See page 4 for complete requirements.

Para instrucciones en Español,
llamar al: 1-800-233-5921

!WARNING!

To reduce the risk of serious injury
or death, read this owner's manual prior
to installing and using this child restraint.

More children are killed every year as passengers in car crashes than by any other type of injury. To reduce the risk of **SERIOUS INJURY** or **DEATH**, read this owner's manual and your vehicle owner's manual before installing and using this booster seat. Using a booster seat makes a big difference. By properly using this booster seat and following these instructions (and the instructions that accompany your vehicle), you will greatly reduce the risk of serious injury or death to your child from a crash. Do not be misled by the commonly used term "safety seat;" no restraint system can prevent all injuries in all crashes. Many properly restrained adults and children are injured in motor vehicle crashes, including relatively minor crashes. A properly used booster seat is the best way to minimize injuries to your child and to increase the chances for your child's survival in most crashes.



Table of Contents (TOC)

Booster Seat Child Requirements	4
Warnings	5
Safe Practices	8
Recall Information.....	8
Public Notice for Canadian Customers.....	9
Motor Vehicle/Aircraft Usage	9
Booster Seat Features.....	10
Attaching the Seat Pad to the Base	14
Assembling Backrest	16
Attaching the Backrest Pad	17
When to Put Your Child in a Booster Seat	21
With the Backrest	
Using Your Booster Seat With the Backrest	22
Installation Checklist	23
Without the Backrest	
Using Your Booster Seat without the Backrest	24
Installation Checklist	25
General Information	
Removing the Backrest	26
Adjusting the Backrest	27
Using the Shoulder Belt Clip	28
Care and Cleaning	29
Replacement Parts	30
Storing Your Instructions.....	31
Limited Warranty	32

U.S. REGULATORY NOTICE

This booster seat meets all applicable requirements of Federal Motor Vehicle Safety Standard 213.

CANADIAN REGULATORY NOTICE (Model numbers ending in "C.")

This booster seat meets all applicable requirements of Canadian Motor Vehicle Safety Standard CMVSS 213.2.

Booster Seat Child Requirements

Warning: Failure to follow these Child Requirements could result in serious injury or death.

This booster seat is designed for use by children in **booster mode** only. To use this booster seat properly, children **MUST** meet the size and age requirements below.

Please review any applicable local, state or provincial laws related to child passenger safety before installing and using this booster seat.

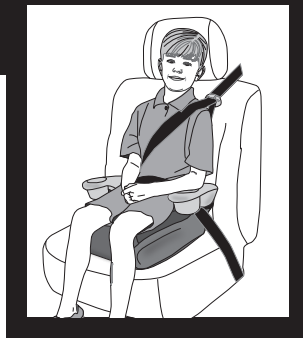
With Backrest

- 18 – 45.3 kg (40 – 100 lbs)
- 112 – 145 cm (44 – 57 in.) tall AND the tops of child's ears are below the top of the child restraint.
- Child is at least four years old or older



Without Backrest

- 18 – 45.3 kg (40 – 100 lbs)
- 112 – 145 cm (44 – 57 in.) tall AND the tops of child's ears are below top of the vehicle headrest.
- Child is at least four years old or older



IMPORTANT: Once your child **exceeds** any of the size requirements above, you **MUST** discontinue use of this seat. Your child may be ready for use of the vehicle belt system only at this time.

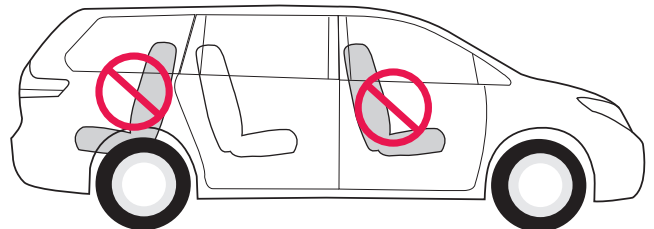
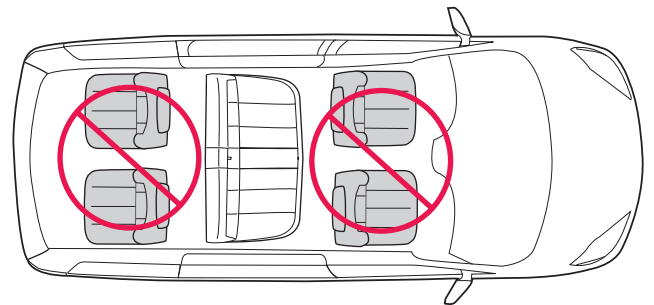
⚠ WARNING! **DEATH or SERIOUS INJURY can occur.**

Airbag Warning



- **DO NOT** use this restraint in the front seat of a vehicle equipped with an air bag. Air bags may cause serious injury or death to children 12 and under. If your vehicle has an air bag, refer to your vehicle owner's manual for booster seat installation.
- If the rear seat of your vehicle is equipped with side air bags, refer to the following information for proper usage:
Vehicles built prior to the 2002 model year:
DO NOT use this restraint in a vehicle seating position equipped with a side air bag unless authorized by the vehicle manufacturer.
Model year 2002 and newer vehicles:
Refer to your vehicle owner's manual before placing this restraint in a seating position equipped with a side air bag.
- **DO NOT** place any objects between the restraint and the side air bag, as an expanding air bag may cause the items to strike your child.

The forward-facing rear seat is the safest place for children 12 and under.



TOC

⚠ WARNING! *DEATH or SERIOUS INJURY can occur.*

General Warnings

- Failure to follow the Child Requirements for use of this booster seat could result in serious injury or death.
- Failure to follow each of the following instructions can result in your child striking the vehicle's interior during a sudden stop or crash, potentially resulting in serious injury or death. These instructions and the instructions in your vehicle owner's manual must be followed carefully. If there is a conflict between the two, the vehicle owner's manual regarding booster seat installation must be followed.
- **NEVER** leave child unattended.
- In addition to the height and weight requirements, your child must be at least four years old to use this booster seat.
- **NEVER** use booster seat without the seat pad.

Location Warnings

- According to statistics, children are safer when properly restrained in a rear seating position than in the front seating position. Children 12 and under should ride in the back seat of the vehicle.
- Use this booster seat only on forward facing vehicle seats. **DO NOT** use this booster seat with vehicle seats which face the rear or side of the vehicle.
- Use this booster seat only on vehicle seats with backs that lock into place.
- Some booster seats do not fit in all vehicles. If the booster seat cannot be properly installed, **DO NOT** use the booster seat. Consult your vehicle owner's manual, try a different seating location, or call Evenflo at 1-937-773-3971(Canada) or 1-800-233-5921(US) for further assistance.

Booster Seat Position Warnings

- **DO NOT** use this booster seat rear-facing.
- When using this booster seat, the headrest on the vehicle seat that the child faces should be put in its lowest position. The vehicle seat back that the child faces must be fully padded and free of any hard objects.

⚠ WARNING! *DEATH or SERIOUS INJURY can occur.*

Seat Belt Warnings

- **DO NOT** use this booster seat in a vehicle with door-mounted seat belts.
- **DO NOT** use this booster seat in a vehicle with seat belts that automatically move along the vehicle frame when the door is opened. These seat belts will not hold a booster seat properly.
- When using this booster seat, **NEVER** use a lap belt only. You **MUST** use vehicle seat belts that have a lap/shoulder combination.
- **DO NOT** use this booster seat if the child's ears are above the back of the booster seat.
- Failure to adjust the seat belts snugly around your child may result in your child striking the vehicle's interior during a sudden stop or crash. Serious injury or death may occur.
- **DO NOT** use this booster seat if it is damaged or has broken or missing parts.



Additional Warnings

- **DO NOT** use this booster seat if it has been involved in an accident. It must be replaced.
- This booster seat must be securely belted to the vehicle at all times. An unsecured booster seat may injure someone if a crash occurs.
- **DO NOT** attach additional padding, toys, or other devices not made by Evenflo to the booster seat. Items not tested with the booster seat could injure the child.
- In hot, sunny weather cover the seat with a light colored blanket when you leave the vehicle. Always check the seat for hot surfaces before putting a child into the seat.

Safe Practices

- **Everyone rides buckled up or the vehicle does not go.** Make no exceptions for adults or children. If someone unbuckles, stop the vehicle. Being firm and consistent from the start will mean fewer discipline problems as children get older. An unrestrained person can be thrown into and injure other passengers.
- **NEVER** try to tend to a crying child's needs while driving. Never take a child out of a booster seat for comforting while the vehicle is moving.
- **DO NOT** allow a child to have objects such as lollipops or ice cream on a stick. These objects can injure the child if the vehicle swerves or hits a bump.
- Put sharp or heavy items in the trunk. Anything loose can be deadly in a crash.
- Leather (not available on all models) can become very hot in direct sunlight. Cover your booster seat with a blanket in warm weather.
- In cold weather a child may need an extra blanket for warmth. Put the child in the booster seat and cover both the child and the booster seat with a blanket.

Recall Information

- Child restraints could be recalled for safety reasons. You must register this restraint to be reached in a recall. Send your name, address, e-mail address if available, and the restraint's model number and manufacturing date to:
Evenflo Company, Inc.,
1801 Commerce Dr.,
Piqua, OH 45356
or call 1-800-233-5921
or register online at:
www.evenflo.com/registercarseat
- For recall information, call the U.S. Government's Vehicle Safety Hotline at 1-888-327-4236 (TTY:1-800-424-9153), or go to: **<http://www.NHTSA.gov>**

Tear off and mail this part

Consumer: Just fill in your name and address and e-mail address.

Your Name _____

Your Street Address _____

City _____

State _____

Zip Code _____

E-mail Address _____

CHILD RESTRAINT REGISTRATION CARD

Public Notice for Canadian Customers

- A recall or notice of defect can be issued for safety reasons. You must register this booster seat to be reached in a recall. Send your name, address and the booster seat's model number and manufacturing date to:
Evenflo Company, Inc.
1801 Commerce Dr.
Piqua, OH 45356
or call 1-937-773-3971
www.evenflo.com/registercarseatcanada

For recall information, call Transport Canada at 1-800-333-0510 (1-613-993-9851 in Ottawa region) or Evenflo at 1-937-773-3971. **www.tc.gc.ca**

CANADIAN RESIDENTS ONLY
SONDICIERS DU CANADA SEULEMENT

2009087 8/15

PRODUCT REGISTRATION CARD
CARTE D'ENREGISTREMENT DU PRODUIT

1. Name _____
Last _____
First _____
2. Street Address _____
Address _____
3. City _____ 4. Prov. _____
5. Postal Code _____
Code postal _____
6. Telephone Number (with Area Code) _____
Num. de téléphone (y compris le numéro régional) (____) _____
7. Email Address _____
Adresse électronique _____
8. Date of Purchase _____
Date d'achat _____

ATTENTION: This card may be important to the safety of your child. Please complete using blue or black ink and mail this card so that you can be contacted in the event of a safety defect notice on this product. The information you provide must be complete.
ON REMPLIR: Cette carte pourrait être importante à la sécurité de votre enfant. Veuillez remplir cette carte à l'encre bleue ou noire et la poster afin de pouvoir être contacté en cas d'un avis de défaut lié à la sécurité de ce produit. Les informations fournies doivent être complètes. Ou enregistrez-vous en ligne à www.evenflo.com/registercarseatcanada

PLACE DATE/MODEL # LABEL HERE
AFFRER L'ÉTIQUETTE DE LA DATE ET
DU NUMÉRO DE MODÈLE ICI.

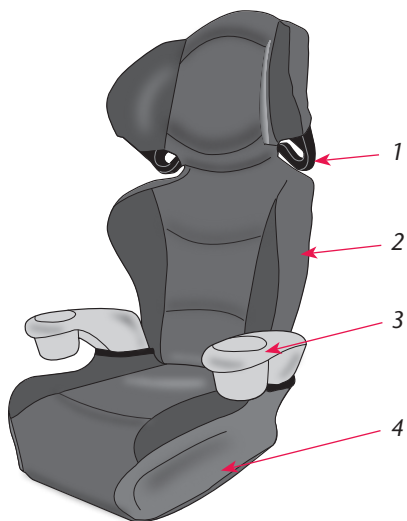
Motor Vehicle/Aircraft Usage



When properly installed pursuant to these instructions, this booster seat is certified for use only in passenger and multi-purpose passenger motor vehicles, buses and trucks equipped with lap/shoulder belt systems. This booster seat is **NOT** certified for aircraft use. A belt-positioning booster requires the use of a lap/shoulder belt system, which is not available on aircraft.

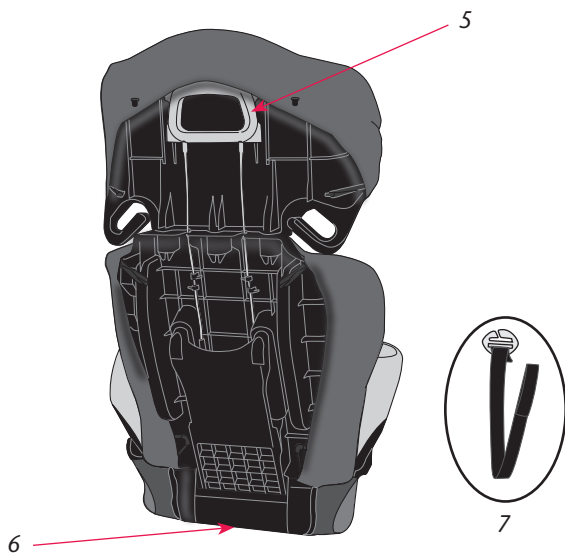
Booster Seat Features

Front



* Not all features are available on all models. Styles may vary.

Back



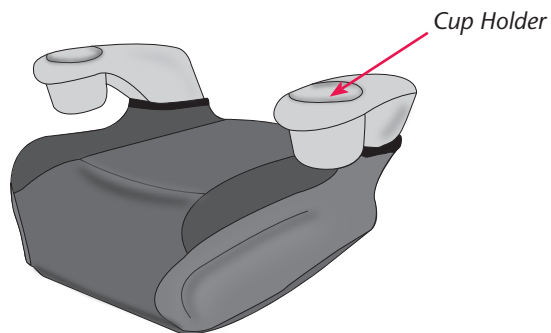
Booster Seat Features (cont.)

Description

1. Shoulder Belt Guide
2. Seat Pad
3. Cup Holder*
4. Base
5. Adjustment Handle
6. Instruction Storage Area
7. Shoulder Belt Clip

Child Restraint Features (cont.)

Using the Cup Holder

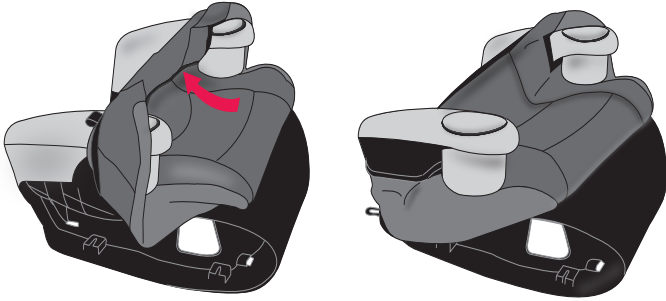


⚠WARNING

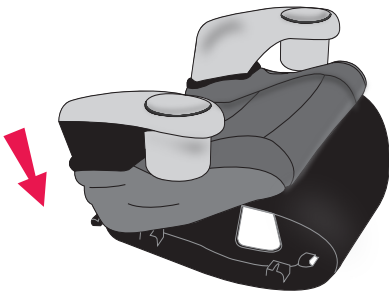
- **DO NOT** use the cup holder to store cans, bottles, or hard containers. Only for use with soft cups.
- **DO NOT** place any cups that contain hot liquids in the cup holder.
- **DO NOT** attach additional padding, toys, or other devices to the booster seat. Items not tested with the booster seat could injure the child.

Attaching the Seat Pad to the Base

1. Push the cup holders through the openings, one at a time.

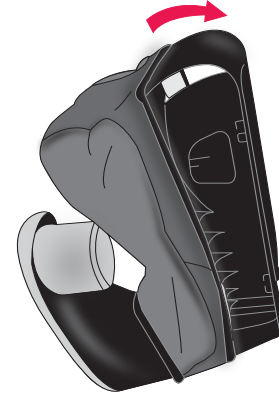


2. Pull the seat pad down over the back of the cup holders.

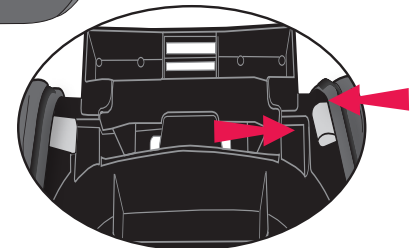
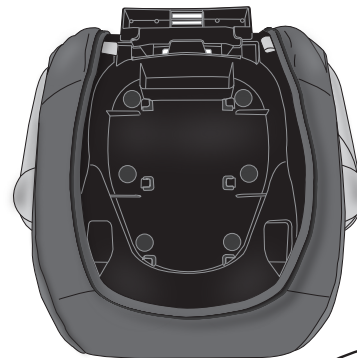


Attaching the Seat Pad to the Base (cont.)

3. **Position seat facing up.** Wrap the seat pad around the front of the seat. Make sure the seat pad is straight and positioned correctly on the seat.



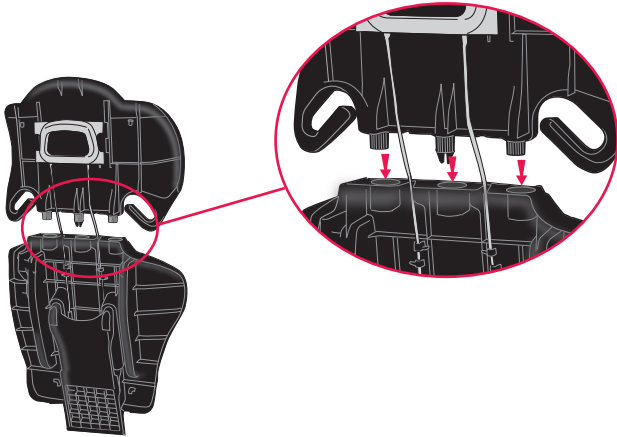
4. Pull the rest of the seat pad down around the back of the seat, and attach to the hooks.



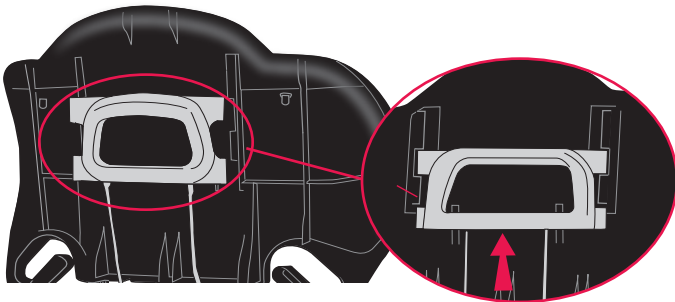
Assembling Backrest

1. Assemble the backrest. Insert three posts on the headrest into the backrest, as shown. Make certain the headrest locks securely into the backrest.

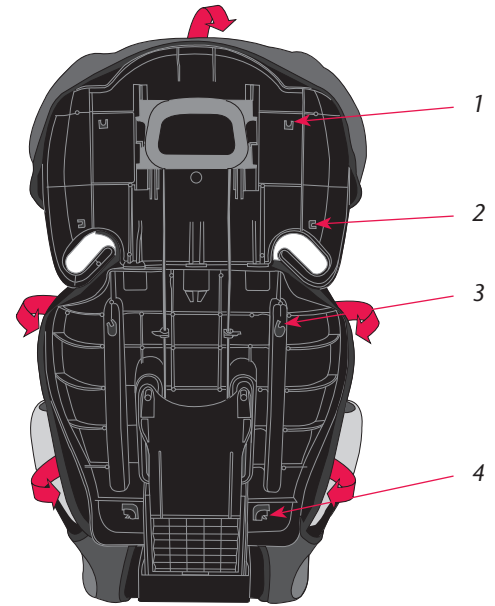
Note: This is a one-time assembly and may require additional force to connect properly.



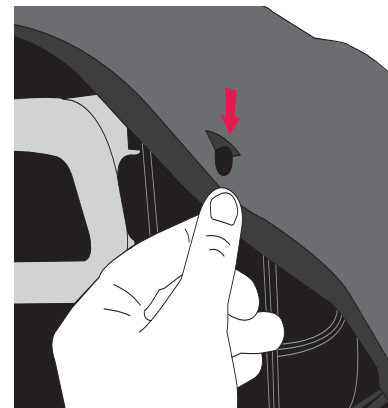
2. Install pull handle. Align tabs on pull handle with the slots on the back of the headrest. Press pull handle against the back of the headrest and slide upward until the tabs lock into place.



Attaching the Backrest Pad



Wrap the backrest pad around the back. Make sure the pad is straight and positioned evenly on the seat.

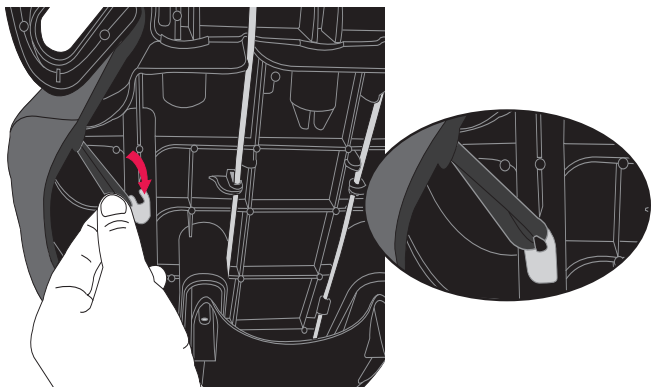


1. Pull the headrest pad down over the top of backrest. Attach the headrest pad to the hooks.

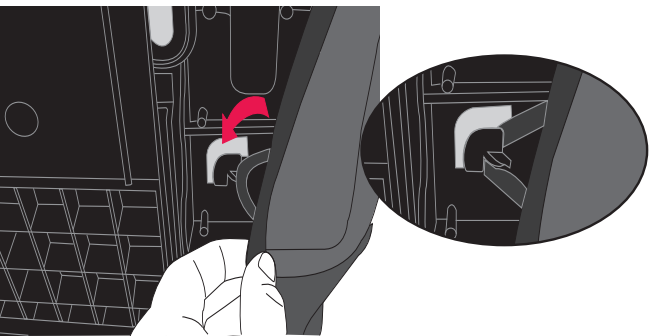
Attaching the Backrest Pad (cont.)



2. Connect elastic loops to hooks on the top of the headrest on both sides.



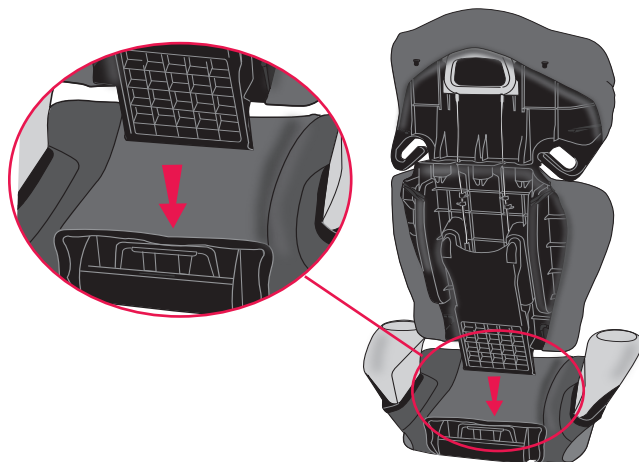
3. Connect elastic loops to hooks on the middle of the backrest on both sides.



4. Pull the pad around the bottom corners and connect elastic loops to hooks.

Assembling Your Booster Seat

- 1. Install the backrest.** Slide the backrest assembly into the base. Make certain the backrest locks into place.
- 2. Check your work.** Inspect the booster seat to make sure that the headrest is securely attached to the backrest, the seat pad is hooked into place, and that the backrest assembly is securely locked into the base. Repeat any assembly steps as necessary.



When to Put Your Child in a Booster Seat

Booster seats raise the child up and help to position the vehicle lap and shoulder belt correctly. When the child is **properly restrained** in a booster seat, their risk of injury in all types of crashes is reduced, as the lap and shoulder belt provides excellent restraint of both the upper and lower torsos.

It is important for the child to sit properly within the vehicle seat belts. When the vehicle seat belt is buckled, the lap belt should be low on the hips, just touching the thighs, and the shoulder belt should lie across the middle of the shoulder. If the child leans out or moves the belt behind the back or places it under the arm, it will not provide the intended restraint.

There are a number of things to consider when deciding whether the child is ready to sit in a booster seat, including: the weight and height rating on their current child seat, the child's own weight and height, their maturity, and the seating positions available in your vehicle.

How is a booster seat used?

Using a booster seat is very similar to buckling yourself into the vehicle:

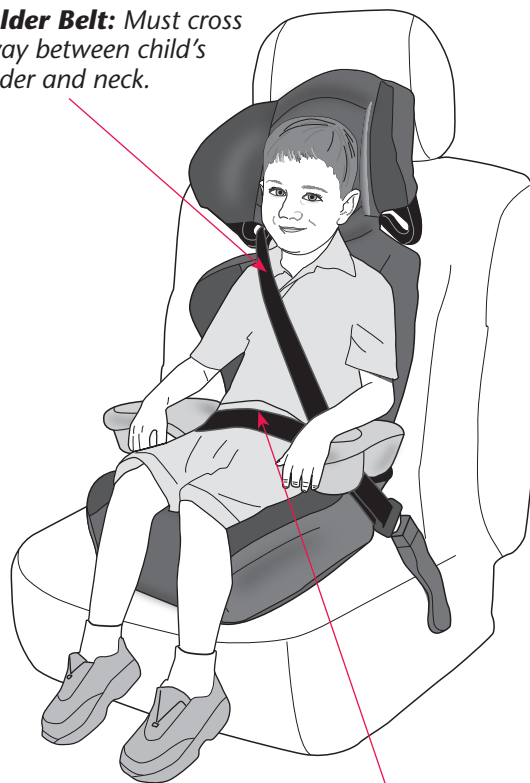
- Read the instruction manuals for both the booster seat and the vehicle before you start.
- Put the booster in the back seat in a location with a lap and shoulder belt. **Never use a booster with only a lap belt**, as this could cause serious injuries.
- After the child is in the booster, pull the lap and shoulder belt across him/her and buckle it.
- Check that the shoulder belt lies across the middle of the shoulder and that the lap belt is low on the hips, just touching the thighs.

How can you tell if your child is ready to transition to a booster seat?

You should consider using a booster seat if the following conditions apply:

- The child is mature enough to sit in the booster seat and not put the belts under their arm or behind their back.
- The child is approaching the weight or height limit of the child restraint they are currently using. (Even children who have not outgrown their toddler seat can benefit from the use of a booster seat, if it is used properly.)
- If you have a vehicle that does not have a tether anchorage but has lap/shoulder belts available in the back seat, a booster seat may provide better protection than an internal harness seat without the tether.

Shoulder Belt: Must cross midway between child's shoulder and neck.



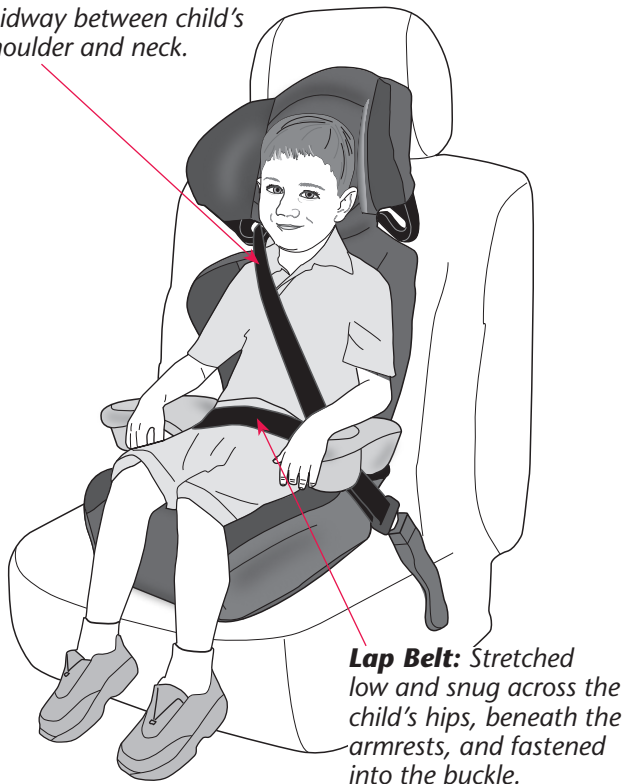
Lap Belt: Stretched low and snug across the child's hips, beneath the armrests, and fastened into the buckle.

Using Your Booster Seat with the Backrest

Child Requirements

- **Weight:** 18 – 45.3 kg (40 – 100 lbs)
- **Height:** 112 – 145 cm (44 – 57 in.) and tops of the child's ears are at or below the top of the booster seat headrest.
- **Age:** At least 4 years old

Shoulder Belt: Must cross midway between child's shoulder and neck.



IMPORTANT: Once your child **exceeds** any of the size requirements above, you **MUST** discontinue use of this seat. Your child may be ready for use of the vehicle belt system only at this time.

Installation Checklist

1. **Place the booster seat on the vehicle seat.**
2. **Set the child in the booster seat.**

Make sure the child's back and bottom are flat against the back and bottom surfaces of the booster seat.

3. **Adjust the back of the booster, if necessary.**

Adjust the backrest so the shoulder belt guides are level with the top of the child's shoulders. This will cause the shoulder belt to properly lay midway between the child's shoulder and neck (see Adjusting the Backrest, page "Adjusting the Backrest" on page 27).

WARNING

The shoulder belt **MUST NOT** cross the child's neck **or** fall off the child's shoulder. If you can not adjust the shoulder belt to properly lay midway between the child's shoulder and neck, try another seating location or do not use the booster seat.



4. **Secure the child and booster seat to the vehicle seat.**

Stretch the lap/shoulder belt across the child and fasten the buckle. Make certain the shoulder belt is threaded through the shoulder belt guide.

5. **Check your work.**

Make sure the lap belt is stretched low and snug across the child's hips, **beneath the armrests (both Lap and Shoulder belts)**, and fastened into the buckle. The shoulder belt must cross the child midway between his/her shoulder and neck.

IMPORTANT

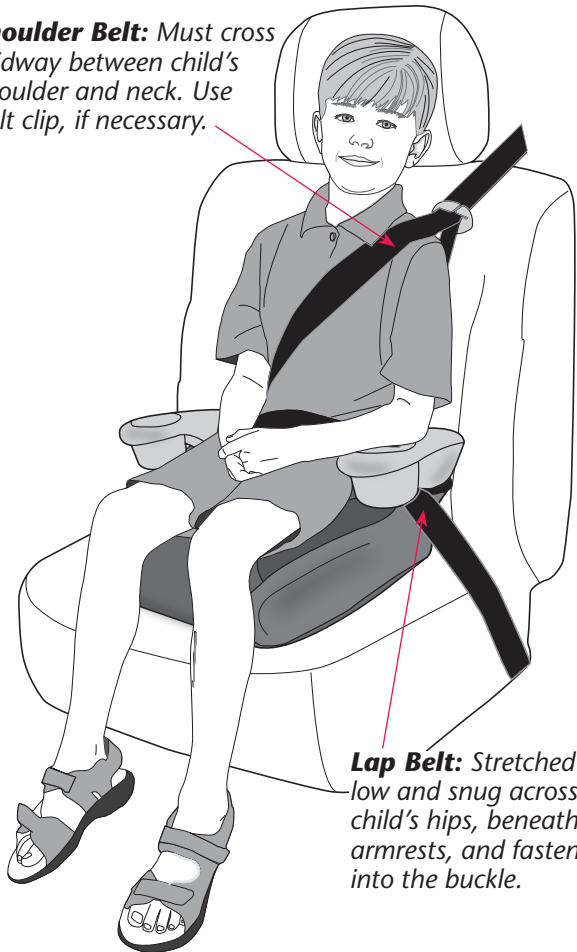
Always secure the booster seat with the vehicle seat belts when not occupied. An unsecured booster seat can fly into and injure other occupants in the event of a crash.

Using Your Booster Seat without the Backrest

Child Requirements

- **Weight:** 18 – 45.3 kg (40 – 100 lbs)
- **Height:** 112 – 145 cm (44 – 57 in.) and tops of the child's ears are at or below the top of the vehicle seat headrest.
- **Age:** At least 4 years old

Shoulder Belt: Must cross midway between child's shoulder and neck. Use belt clip, if necessary.



Lap Belt: Stretched low and snug across the child's hips, beneath the armrests, and fastened into the buckle.

IMPORTANT: Once your child **exceeds** any of the size requirements above, you **MUST** discontinue use of this seat. Your child may be ready for use of the vehicle belt system only at this time.

Installation Checklist

1. **Remove the backrest from the booster seat.**
(See Removing the Backrest, page "Removing the Backrest" on page 26.)
2. **Place the booster seat on the vehicle seat.**
3. **Set the child in the booster seat.**
Make sure the child's back is flat against the vehicle seat, and the child's bottom is flat against the booster seat.
4. **Secure the child and booster seat to the vehicle seat.**
Stretch the lap/shoulder belt across the child and fasten the buckle.
5. **Use the shoulder belt clip, if necessary.**
If the shoulder belt does not properly lay midway between the child's shoulder and neck, attach and adjust the belt clip (see Using the Shoulder Belt Clip, page "Using the Shoulder Belt Clip" on page 28).

⚠WARNING

The shoulder belt **MUST NOT** cross the child's neck **or** fall off the child's shoulder. If you can not adjust the shoulder belt to properly lay midway between the child's shoulder and neck, try another seating location or do not use the booster seat.



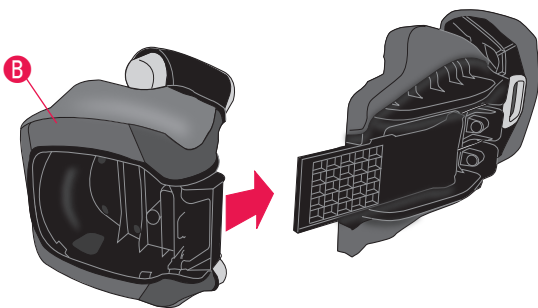
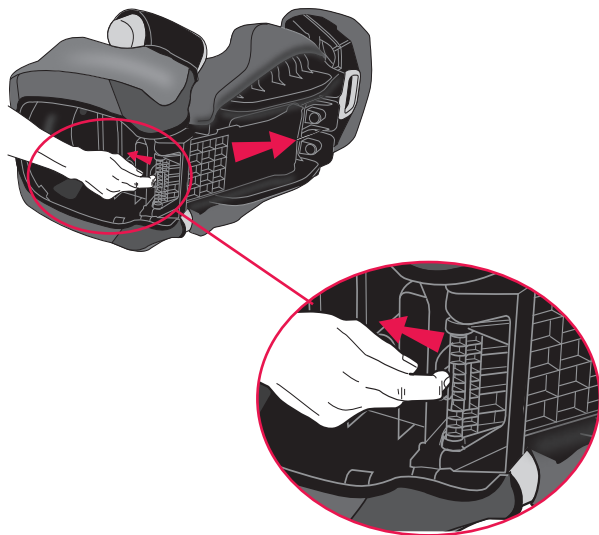
6. **Check your work.**
Make sure the lap belt is stretched low and snug across the child's hips, Make sure the lap belt is stretched low and snug across the child's hips, **beneath the armrests (both Lap and Shoulder belts)**, and fastened into the buckle. The shoulder belt must cross the child midway between his/her shoulder and neck. and fastened into the buckle. The shoulder belt must cross the child midway between his/her shoulder and neck. **Note:** If the vehicle's shoulder belt naturally crosses the child's shoulder, you do not need to use the shoulder belt clip.

IMPORTANT

Always secure the booster seat with the vehicle seat belts when not occupied. An unsecured booster seat can fly into and injure other occupants in the event of a crash.

Removing the Backrest

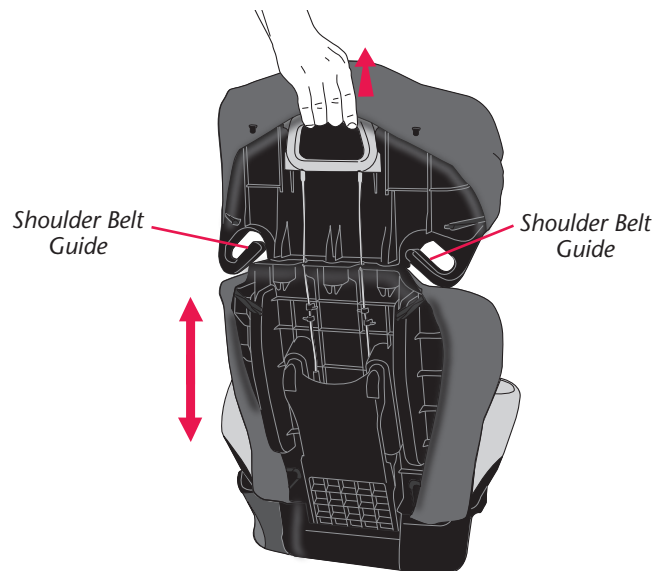
1. Lay the booster seat on its side.
2. Squeeze the lever on the bottom of the base and remove the backrest from the base.



IMPORTANT
Store the backrest properly
when not in use.

Adjusting the Backrest

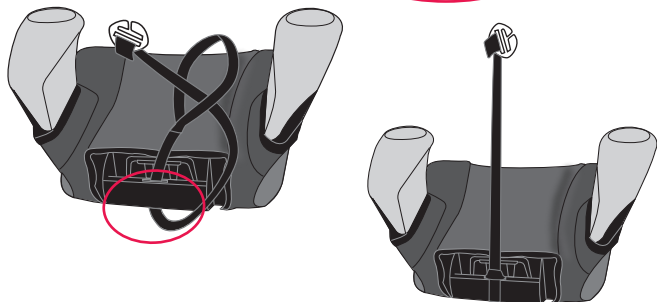
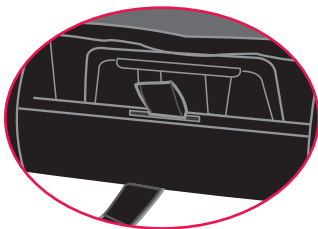
To adjust the backrest, pull and hold the adjustment handle then slide the backrest up or down. The backrest is positioned properly when the bottom of the shoulder belt guides are even with the top of child's shoulders.



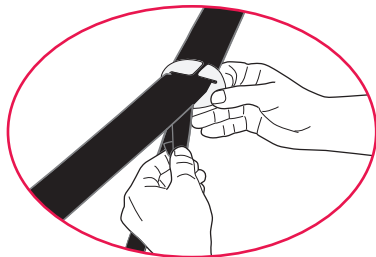
Using the Shoulder Belt Clip

Note: Use the Shoulder Belt Clip only when necessary to position the belt so it lays across the child's chest midway between his/her shoulder and neck.

1. Thread the looped end of the shoulder belt clip belt through the anchor point on bottom of the booster.
2. Thread the shoulder belt clip through the loop at the end of the belt and pull until tight.



3. Place booster on the vehicle seat and attach the shoulder belt clip to the vehicle shoulder belt.
4. Pull the adjustment strap until belt clip is even with the child's shoulder and the vehicle shoulder belt lays across the child's chest midway between his/her shoulder and neck.



Care and Cleaning

- Plastic parts may be wiped clean with mild soap and water and dried with a soft cloth. Do not use abrasive cleaners or solvents.
- Take care not to damage any labels.
- The seat pad (except for leather seat pads—not available on all models) can be machine washed separately in cold water, delicate cycle, tumble dry 10 – 15 minutes on low heat.
- **NEVER** use booster seat without the seat pad.

Tip! To help protect the vehicle upholstery, place a towel beneath and behind the booster seat.

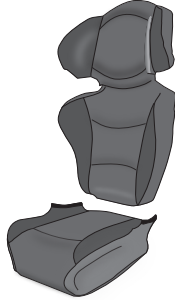
Replacement Parts

Not available on all models. Styles may vary.

You can order replacement parts on-line at www.evenflo.com or contact Evenflo. When you contact us, please have the product model number and date of manufacture (found on the bottom of the booster seat).



Shoulder
Belt Clip



Seat Pad

Proper Disposal of this Child Restraint

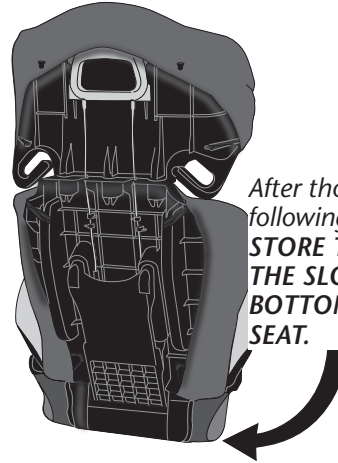
When this child restraint reaches the expiration date found on the date of manufacture label, Evenflo encourages you to dispose of it properly. Most components of this child restraint are recyclable.

1. Remove all fabric and padding.
2. Remove all screws and disassemble the restraint.
3. Recycle all fabric, padding, plastic, foam and metal parts, if accepted by your local recycling center. Responsibly discard the rest.

If your local recycling center won't accept the padding, you may dispose of it in the landfill.

To prevent injury due to hidden damage, lost instructions, outdated technology, etc., discontinue use of this restraint after the expiration date on the label or if it has been involved in a crash.

Storing Your Instructions



After thoroughly reading and following these instructions, **STORE THE INSTRUCTIONS IN THE SLOTS PROVIDED ON THE BOTTOM OF THE BOOSTER SEAT.**

For future reference, record the model number of your booster seat AND the date of manufacture below (found on the bottom of the booster seat).

Model Number: _____

Date of Manufacture: _____

Limited Warranty

For a period of 90 days from the original purchase of this Product, Evenflo warrants to the original end user ("Purchaser") this Product (including any accessories) against defects in material or workmanship. Evenflo's sole obligation under this express limited warranty shall be, at Evenflo's option, to repair or replace any Product that is determined to be defective by Evenflo and determined to be covered by this warranty.

Repair or replacement as provided under this warranty is the exclusive remedy of the Purchaser. Proof of purchase in the form of a receipted invoice or bill of sale evidencing that the Product is within the warranty period must be presented to obtain warranty service. This express limited warranty is extended by Evenflo ONLY to the original Purchaser of the Product and is not assignable or transferable to subsequent purchasers or end users of the Product. For warranty service, contact Evenflo's ParentLink Consumer Resource Center.

EXCEPT TO THE EXTENT PROHIBITED BY APPLICABLE LAW, ANY IMPLIED WARRANTY OF MERCHANTABILITY OR FITNESS FOR A PARTICULAR PURPOSE ON THIS PRODUCT IS HEREBY DISCLAIMED. EVENFLO SHALL NOT BE LIABLE FOR ANY INCIDENTAL, CONSEQUENTIAL, SPECIAL OR PUNITIVE DAMAGES OF ANY KIND FOR BREACH OF THE EXPRESS LIMITED WARRANTY ON THIS PRODUCT, OR ANY WARRANTY IMPLIED BY OPERATION OF LAW. OTHER THAN THE EXPRESS LIMITED WARRANTY SET FORTH ABOVE, THERE ARE NO OTHER WARRANTIES THAT ACCOMPANY THIS PRODUCT AND ANY ORAL, WRITTEN OR ANY OTHER EXPRESS REPRESENTATION OF ANY KIND IS HEREBY DISCLAIMED.

ParentLink®

answers. advice. affirmation.™

- **www.evenflo.com**
- *USA: 1-800-233-5921 8 AM to 5 PM E.T.*
 - *Canada: 1-937-773-3971*
 - *México: 01-800-706-12-00*