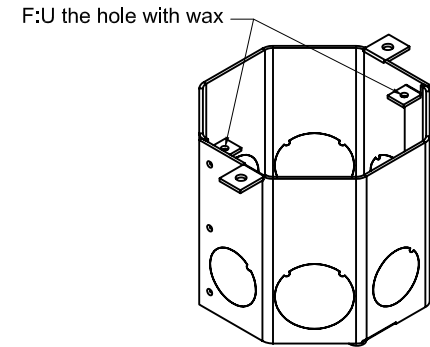
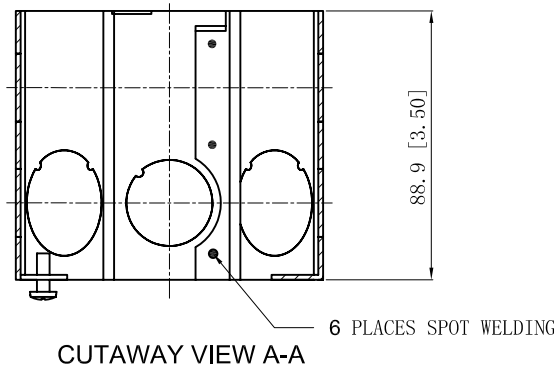
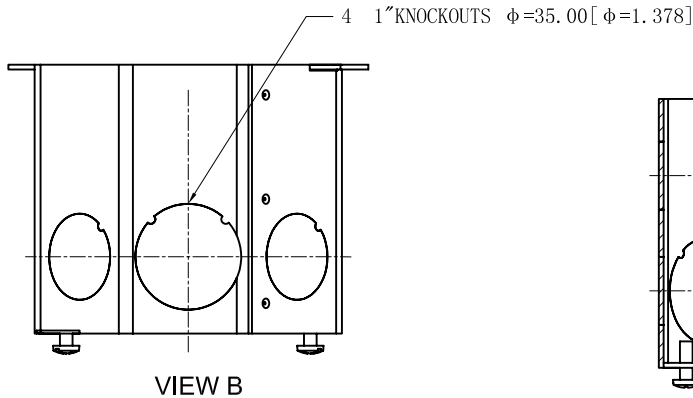
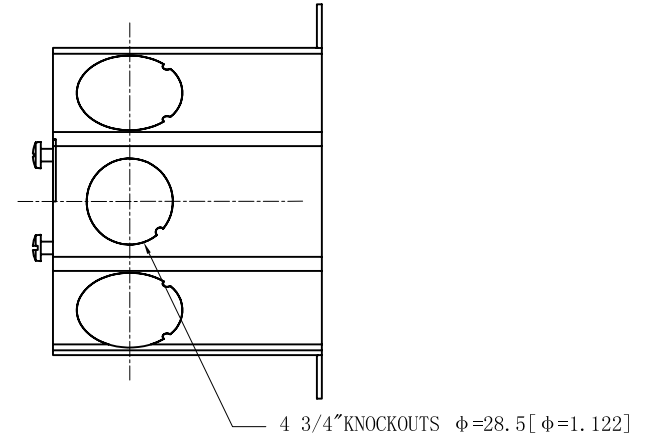
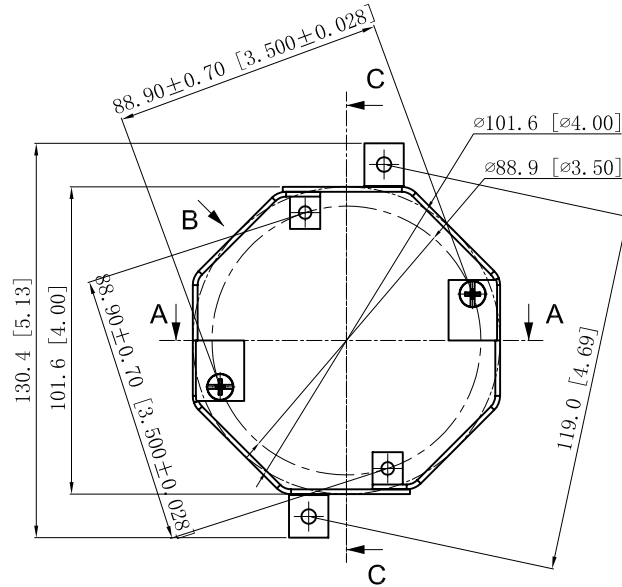
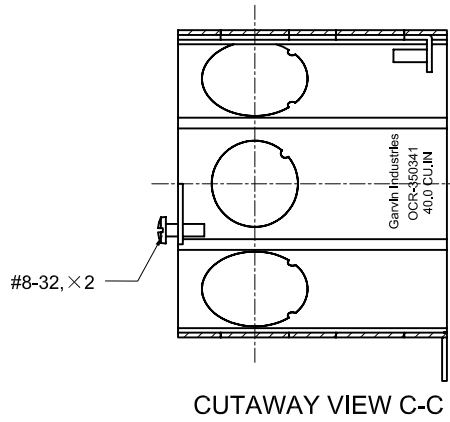


SIDES	BOTTOM
4 3/4" KNOCKOUTS	
4 1" KNOCKOUTS	
2 PCS 8-32×1/2 Screws Installed	
Material: Steel-0.0625"-G60 Galvanized	



DESCRIPTION
TRADE REFERENCE TERMS

This data sheet is for reference only .GARVIN INDUSTRIES reserves the right to make changes to the design without prior notice.

STANDARD PACKING	GARVIN INDUSTRIES		
	OCTAGON CONCRETE RINGS		
25 PCS	TITLE		REV
	SIZE	DWG NO.	A
	OCR-350341		
	DATA SHEET		