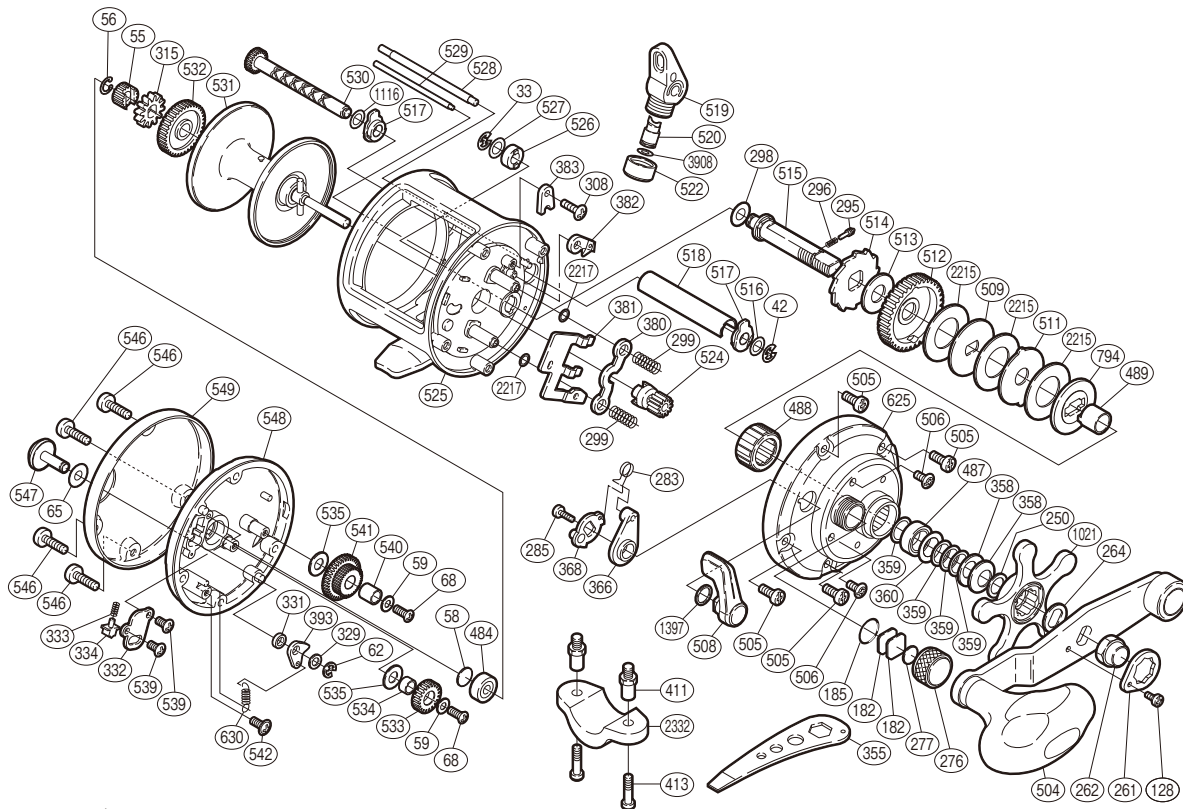


SHIMANO

TEKOTA

TEK-500



(51RJ220500U)

#	Part No.	Description	#	Part No.	Description	#	Part No.	Description
33	105NG	Drive Shaft Retainer	359	105PW	Bearing Thrust Washer	527	10D66	Drive Shaft Washer (A)
42	105NE	Worm Shaft Retainer	360	109RF	Bearing Seal	528	10HX7	Stabilizer Bar A
55	10J7E	Idle Gear A	366	10L2B	Eccentric Cam Bushing	529	10BK5	Stabilizer Bar B
56	105SA	Idle Gear A Retainer	368	1084G	Clutch Cam	530	10KC4	Worm Shaft
58	10GEU	Spacer B	380	10483	Yoke	531	10NPF	Spool Assembly
59	104H5	Lock Washer	381	1045H	Yoke Plate	532	10AQQ	Counter Gear A
62	105NK	Click Pawl Retainer	382	10MW8	Anti-Reverse Pawl	533	10NXF	Idle Gear B
65	104H2	Spacer (A)	383	10KSK	Anti-Reverse Pawl Keeper	534	10NXJ	Idle Gear B Support
68	103GS	Idle Gear Screw	393	10GQS	Click Pawl	535	10G4P	Spacer A
128	10QG0	Handle Nut Plate Screw	484	10KAD	Ball Bearing	539	10QG5	Click Spring Retainer Screw
182	105N0	Cast Control Spacer (A)	487	10582	Ball Bearing	540	10NXM	Idle Gear D Support
185	109EB	O Ring	488	10F5D	Roller Clutch Bearing	541	10NXX	Idle Gear D
250	10BR1	Star Drag Washer	489	10BQ6	Roller Clutch Inner Tube	542	10K8T	Click Pawl Spring Screw
261	10QL8	Handle Nut Plate	504	10B1R	Handle Assembly	546	10L9T	Left Side Plate Screw
262	10FT1	Handle Nut	505	10LZ5	Right Side Plate Screw (A)	547	1050J	Click Button
264	107QQ	Drive Shaft Shield	506	10LF9	Right Side Plate Screw (B)	548	10502	Left Side Plate
276	10KTA	Cast Control Cap	508	10U11	Clutch Lever	549	10NV4	Left Side Plate Cover
277	10896	Cast Control Spacer (B)	509	10D4K	Key Washer (B)	625	10HK8	Right Side Plate
283	10JYU	Clutch Spring	511	10D48	Eared Washer (A)	630	10NRQ	Click Pawl Spring
285	10F8M	Clutch Lever Screw	512	109DH	Drive Gear	794	109F1	Key Washer (A)
295	109ZZ	Click Pin	513	109BN	Drag Washer (A)	1021	10HMu	Star Drag
296	10HZ5	Click Spring	514	109BG	Anti-Reverse Ratchet	1116	10D69	Worm Shaft Spacer
298	10588	Drive Shaft Washer (B)	515	10994	Drive Shaft	1397	10AG2	Smoother
299	104BY	Yoke Spring	516	10HV6	Worm Shaft Spacer	2215	10D2S	Drag Washer
308	10LSK	Anti-Reverse Pawl Screw	517	10HT3	Worm Bushing	2217	10KF6	Washer
315	104F1	Click Gear	518	10HVX	Level Wind Guard	2908	10TZF	Spacer
329	109RC	Spacer (B)	519	10KCF	Line Guide			
331	10CFT	Click Pawl Spacer	520	10FFZ	Line Guide Pawl	411	1046R	Rod Clamp Nut (accessory)
332	104B6	Click Spring Retainer	522	10FJP	Pawl Cap	413	10A7C	Rod Clamp Bolt (accessory)
333	104MT	Click Spring	524	10AHE	Pinion Gear	2332	10EUN	Rod Clamp (accessory)
334	104B8	Click Spring Holder	525	10LL9	One-Piece Frame			
358	10EW3	Drag Spring Washer (8l)	526	10BPW	Drive Shaft Bushing	355	10MJ2	Wrench (accessory)

Please note that the number of adjusting washers may not be the same as shown in the exploded views.
(Adjustment will vary with each individual product.)

(240625)_005