

# Installation Guide

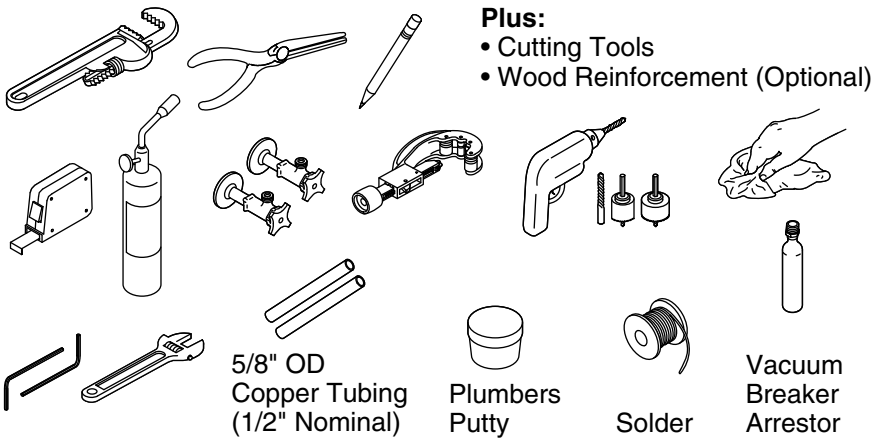
## Diverter Bath Faucet with Remote Valve

Français, page "Français-1"  
Español, página "Español-1"

1347031-2-A

THE BOLD LOOK  
OF **KOHLER**®

## Tools and Materials



## Before You Begin

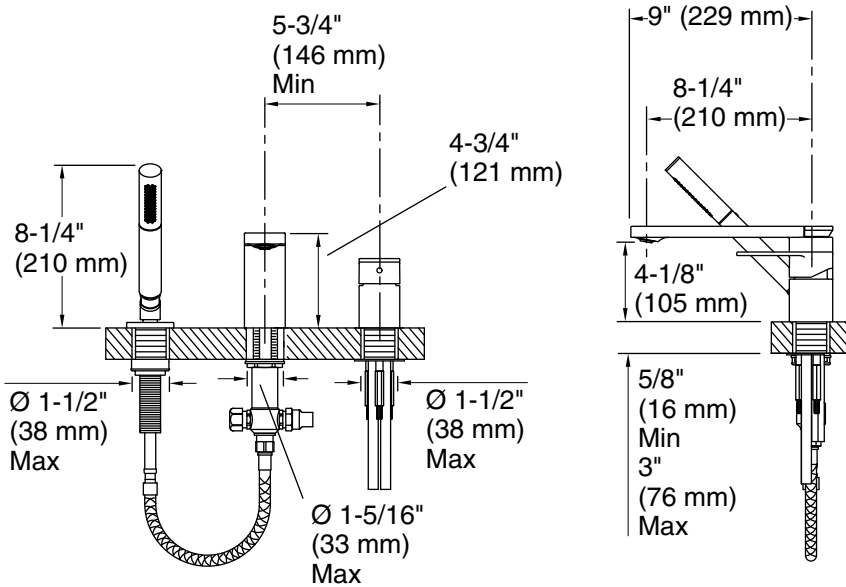


**WARNING: Risk of personal injury.** Do not install the bath faucet in an area where it may inadvertently be used for support by the bather.



**CAUTION: Risk of property damage.** Select a cutting tool appropriate for the deck/rim surface type. Refer to the surface manufacturer's instructions for the proper cutting procedures.

- Observe all local plumbing and building codes.
- Turn OFF the water supply.
- Protect the surface of the bath deck or rim during installation.
- Kohler Co. recommends installing a Sioux Chief 652-AD vacuum breaker arrestor (or equivalent) close to the outlet of the remote valve. This will reduce cavitation and water hammer when the valve or diverter is activated. Visit Sioux Chief's website at [siouxchief.com](http://siouxchief.com) for technical and installation information.



## Roughing-In

### 1. Prepare the Site



**CAUTION: Risk of property damage.** Select a cutting tool appropriate for the deck/rim surface type. Refer to the surface manufacturer's instructions for proper cutting procedures.

**NOTE:** To simplify future servicing, install an access panel to reach the plumbing.

**NOTICE:** The remote valve may be installed anywhere on the deck. To allow adequate clearance for handle rotation, provide a minimum distance of 5-3/4" (146 mm) from the center of the spout to the center of the valve.

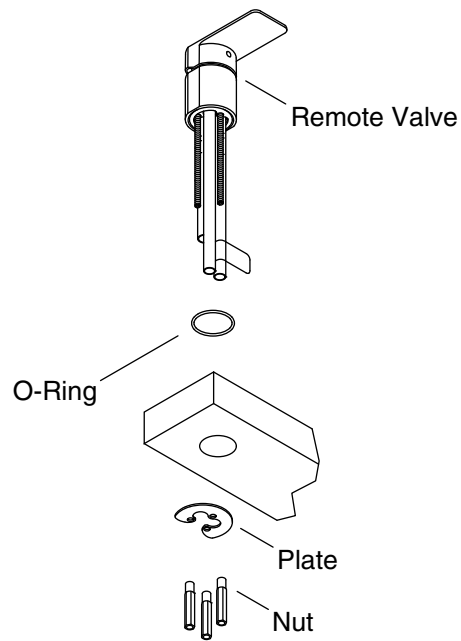
- Determine the mounting-hole locations for the spout diverter and remote valve. Refer to the roughing-in dimensions illustrated for proper placement and diameters.

### Prepare the Site (cont.)

- **For a finished bath deck/rim less than 5/8" (16 mm) thick:** Install wood reinforcement to the underside of the deck/rim. The combined thickness of the reinforcing material and the deck/rim must not exceed 3" (76 mm).

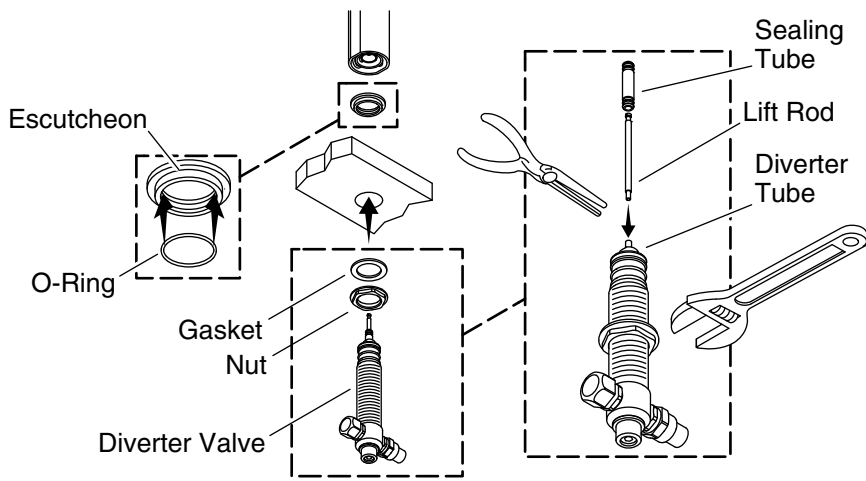
**IMPORTANT! Maintain exactly 1-1/2" (38 mm) hole diameters** for the spout diverter and the remote valve mounting holes. Maximum contact area is necessary for a successful installation.

- Carefully cut mounting holes for the spout diverter and remote valve.
- Carefully cut mounting holes for the spout and valve bodies.
- Install or relocate the water supplies as needed.



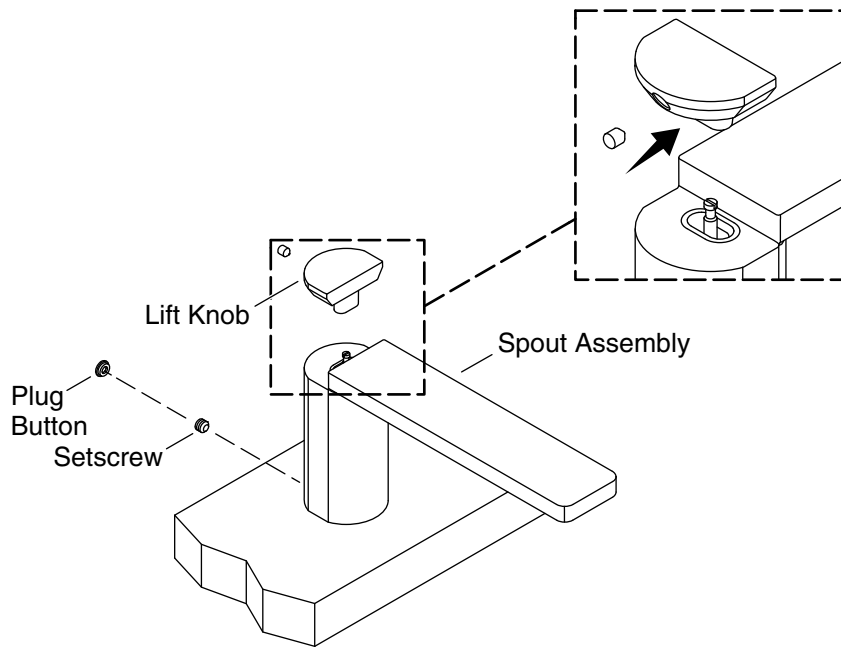
## 2. Install the Remote Valve

- Insert the O-ring into the groove in the underside of the remote valve.
- Insert the remote valve assembly through the mounting hole.
- Slide the plate onto the remote valve.
- Wrench-tighten the three nuts to secure the remote valve.



### 3. Install the Spout

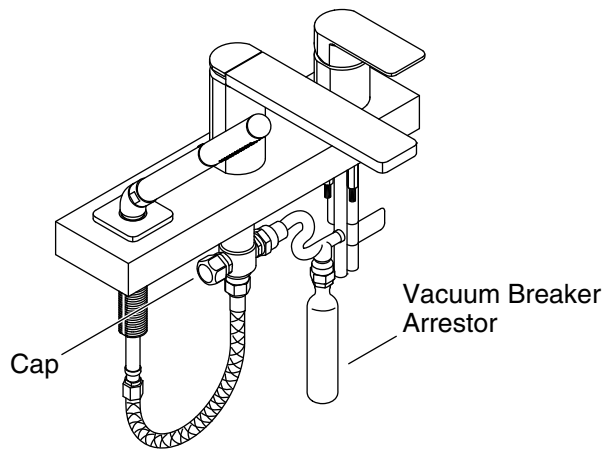
- Thread the nut all the way down the diverter valve.
- Install the gasket onto the diverter valve.
- Insert the diverter valve into the mounting hole from underneath.
- Insert the O-ring into the bottom of the escutcheon.
- Thread the escutcheon and O-ring down the diverter valve until it stops.
- Wrench-tighten the nut to secure the diverter valve.
- Use needlenose pliers to lift and hold the diverter tube. Then thread the lift rod into the diverter tube.
- Install the sealing tube over the lift rod.



#### 4. Install the Lift Knob

**IMPORTANT!** Do not bend the lift rod during spout installation.

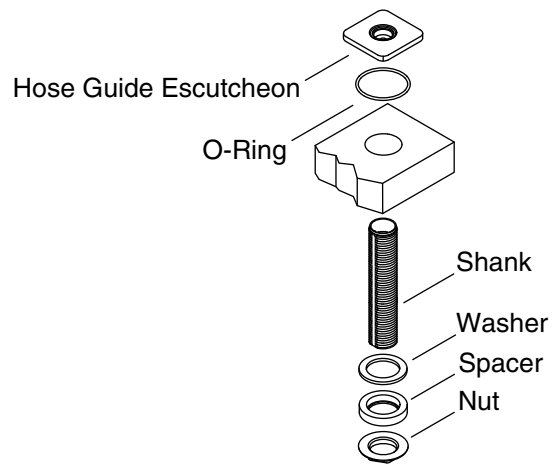
- Position the spout over the lift rod, and slide it down onto the diverter valve.
- Tighten the setscrew.
- Insert the plug button into the setscrew hole.
- Verify that the setscrew does not protrude beyond the inside wall of the spout. Back the setscrew out if needed.
- Use needlenose pliers to lift and hold the lift rod stem up for knob installation.
- Install the lift knob onto the lift rod. Tighten the remaining setscrew.



## 5. Connect the Plumbing

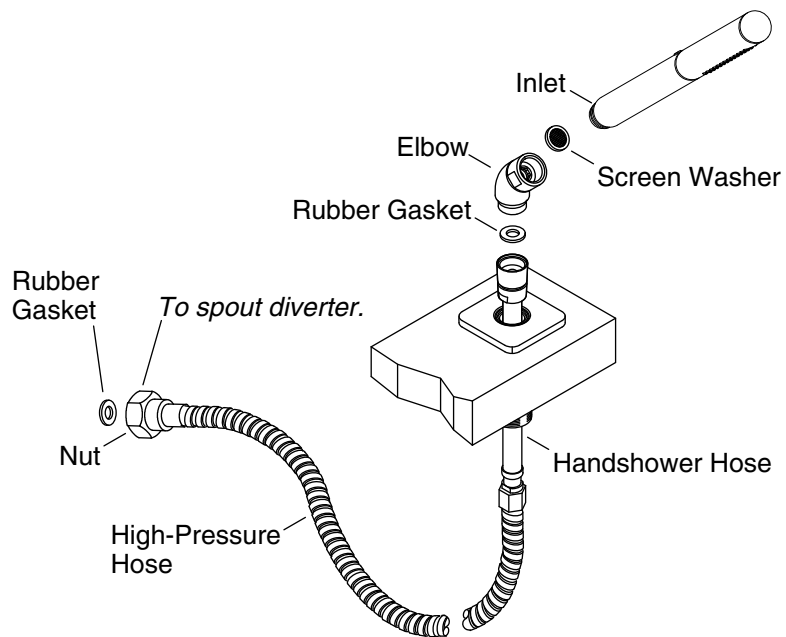
**NOTE:** The illustration shown is a suggested plumbing connection method. Actual plumbing connections will vary by site.

- ❑ Verify that the spout, diverter valve, and remote valve are properly positioned and secured.
- ❑ Cut and assemble the copper tubing and connections to fit the installation layout.
- ❑ Install a vacuum breaker arrester near the diverter valve inlet. Follow the vacuum breaker arrester manufacturer's instructions.
- ❑ Solder the connections.
- ❑ Use thread sealant tape, and securely wrench-tighten the cap (provided) to the open inlet port of the diverter valve.



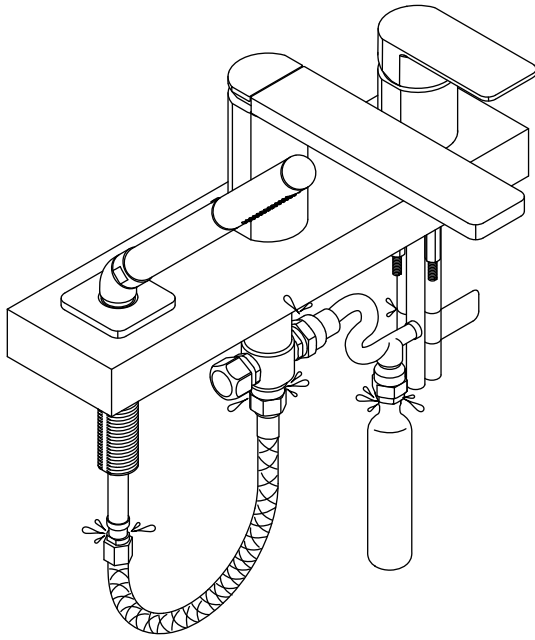
## 6. Install the Hose Guide

- Install the O-ring into the underside of the hose guide escutcheon. Place the assembly over the mounting hole.
- Thread the shank into the mounting hole and hose guide escutcheon from underneath.
- Slide the washer and spacer onto the shank from underneath.
- Thread the nut onto the hose guide. Securely wrench-tighten.



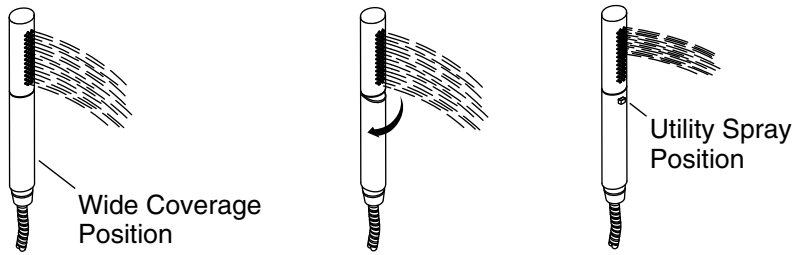
## 7. Install the Handshower

- Run cold and hot water through the shower outlet to flush out dirt and debris.
- Insert the screen washer into the outlet end of the elbow. Thread the handshower onto the elbow. Adjust the position of the elbow as needed so the installed handshower will lean over the bath rim.
- Fit a rubber gasket into the tapered end of the handshower hose. Securely handtighten the handshower hose to the elbow from underneath.
- Securely handtighten the handshower hose to the high-pressure hose.
- Fit a rubber gasket into the end of the high-pressure hose. Securely wrench-tighten the high-pressure hose to the spout diverter.



## 8. Complete the Installation

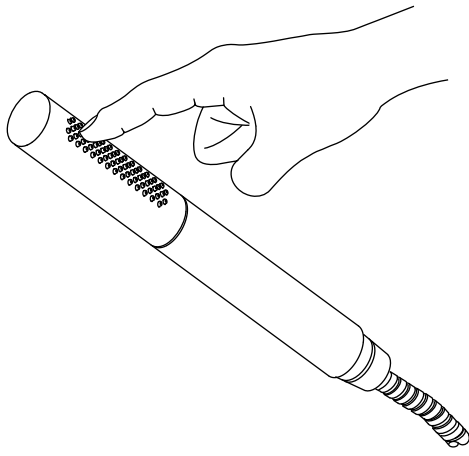
- Turn on the water supplies.
- Check for leaks at all connections. Repair as needed.
- Turn the remote valve handle to the ON position.
- Check for leaks at all connections. Repair as needed.
- Activate the handshower. Check for leaks at the connections. Tighten the connections as needed.
- Turn OFF the water, and check that the lift knob drops back to its original position.
- Turn ON the water, and verify that water is only flowing from the spout.



## Using Your Handshower

Your handshower has two spray options, wide-coverage and utility spray.

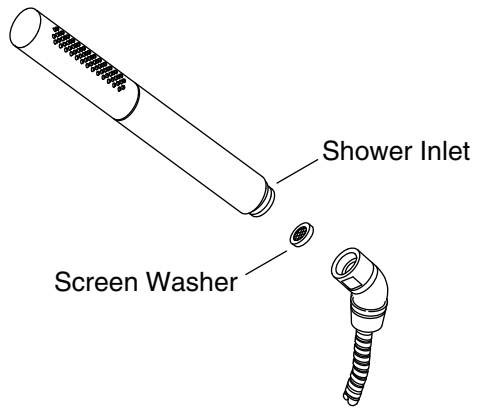
- To change the spray of your handshower from wide-coverage to utility spray, turn the handle until the sprayface aligns with the nub on the handle.



### **Clean the Spray Holes**

To dislodge debris and mineral build-up:

- Run water through the handshower.
- Firmly rub your finger back and forth across the spray nozzles on the handshower face.
- If this procedure fails to improve the performance of the handshower, proceed to the "Clean the Screen Washer" section of this guide.



### Clean the Screen Washer

- Remove the handshower from the elbow.
- Using a thin, flat-blade screwdriver, carefully pry up the edge of the screen washer.
- Remove the screen washer. Do not attempt to remove the flow control.
- Clean the screen washer to dislodge debris and mineral build-up.
- Reinstall the screen washer.
- Reinstall the handshower to the elbow.