

HOOKER[®]






FURNITURE

Martinsville, VA 24112

ASSEMBLY INSTRUCTION

Item#: 1654-10458-DKW1 LEG DESK

**** Please ensure you have all parts indicated below prior to assembly.
This unit is heavy and can best be assembled with the help of two or more persons.**

NO.	HARDWARE LIST		Q'TY
A		ALLEN WRENCH	1
B		BOLT 5/16*40mm	4
C		LOCK WASHER	8
D		FLAT WASHER	8
E		BOLT 5/16*80mm	4

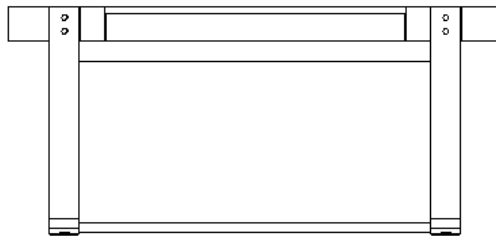
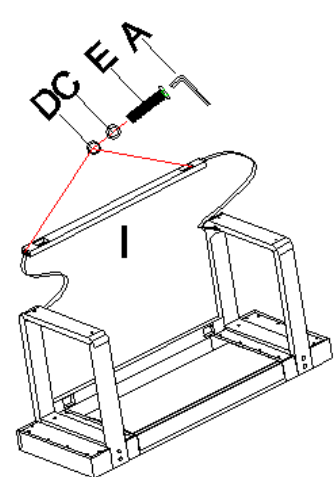
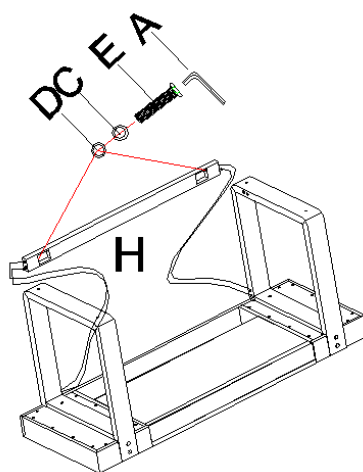
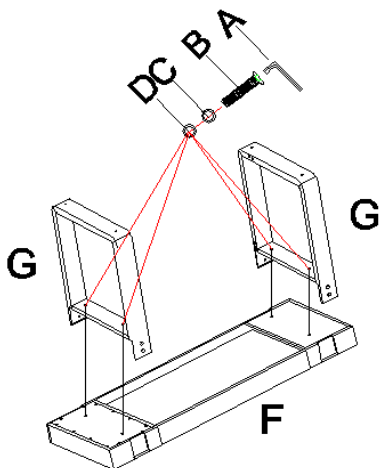


Diagram 1

Diagram 2

Diagram 3



Assembly Steps:

1. Assemble the desk on a flat, soft surface to prevent from scratching the table finish.
2. Insert each Leg (G) to the table Top (F) using Bolts (B), Lock washers (C) and Flat washers (D), do not tighten the bolts with Allen Wrench (A) at this step (as shown in diagram 1)
3. Insert stretcher (H) (following the numbers) under the desk top to the top using Bolts (E), Lock washers (C) and Flat washers (D). (as shown in diagram 2)
4. Insert stretcher (I) (following the numbers) to the legs using Bolts (E), Lock washers (C) and Flat washers (D). (as shown in diagram 3)
5. Tighten all bolts with Allen Wrench (A) after all stretchers attached to the top and legs.
6. Turn the desk upright

Cleaning Instruction: Clean finished parts with a mild dishwashing liquid and water solution on a damp cloth. Polish the finish with soft cloth and an industry recognized furniture polish.