

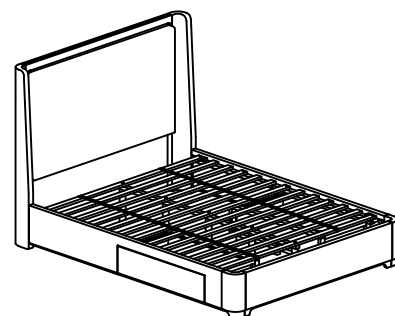
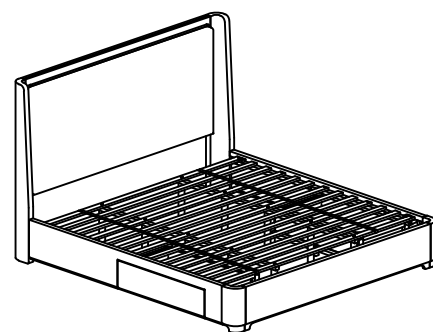
FLEXSTEEL®

W1062-91K1,90K2, 90R5

King bed

W1062-91Q1,90Q2, 90R5

Queen bed

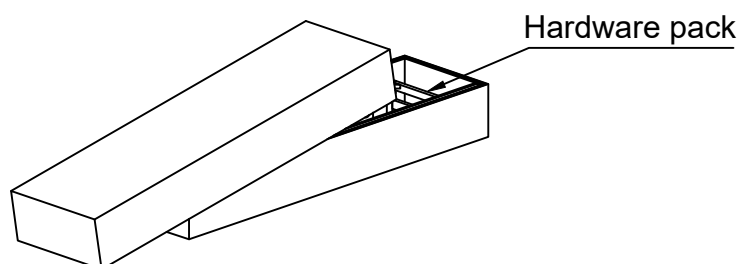


IMPORTANT NOTES

Carefully remove all the parts from the carton and put them individually on a soft cloth to prevent damage to the parts.

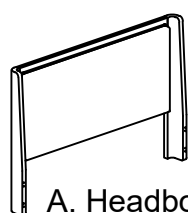
We have taken great care in the design of this product and request that you carefully and accurately follow our assembly instructions to ensure proper set-up.

We recommend at least two adults assemble this product.

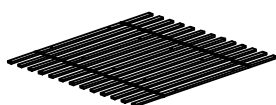


Part List

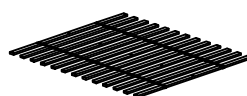
Assembly Instruction 1/5



A. Headboard
1 piece



D. Slats
1 Roll (King bed)



D. Slats
1 Roll (Queen bed)



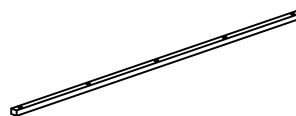
F. Large Center legs
10 pieces (King bed)



B. Footboard
1 piece



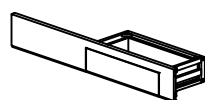
E. Center stretcher
2 pieces (King bed)



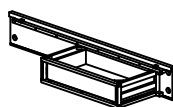
E. Center stretcher
1 piece (Queen bed)



F. Large Center legs
5 pieces (Queen bed)



C. Left Frame Rail
1 piece



O. Right Frame Rail
1 piece



L. Small Center legs
10 pieces

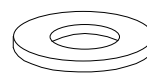
Hardware List



G. Bolt Ø5/16" - 18 UNC x 3"
8 pieces



H. C Washer
27mm x 16mm x 6.5mm
8 pieces



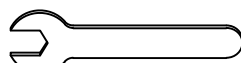
J. Flat Washer
Ø5/16" x Ø19mm x 2mm
8 pieces



K. Spring Washer
Ø5/16" x 1.5mm
8 pieces



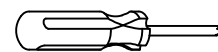
L. Hex Nut
Ø5/16" x 18mm x 12mm
8 pieces



M. Allen Wrench
1 piece



N. Screws Ø8*30mm
10 pieces



Not included
Phillips Screwdriver
PH2 x 100mm

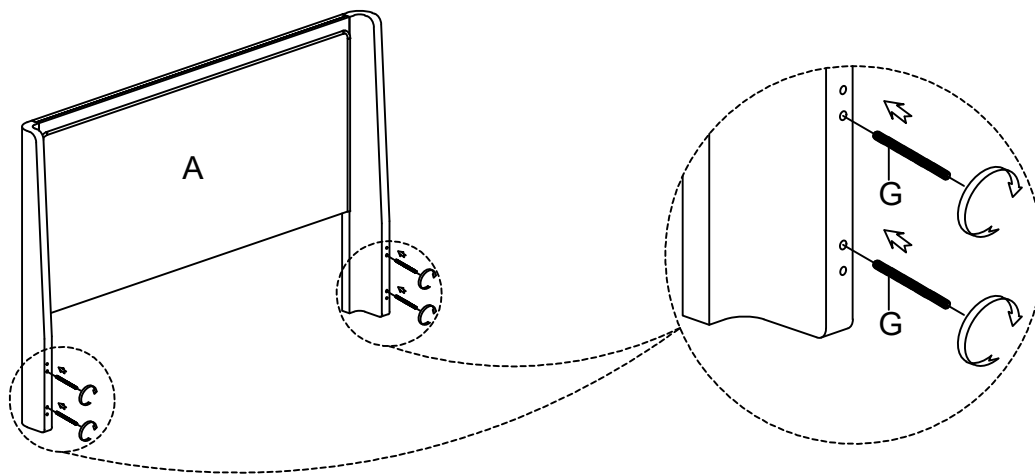
IMPORTANT NOTES

- Do not tighten up all the screws until each part is properly assembled.
- Keep the Hex Key in a safe place as you may need to tighten up the bolts in the future.
- Use a soft cloth between these parts and the floor.
- We recommend this product be assembled by at least two adults.

STEP 1

Attach all Bolts (G) to Headboard (A). (See Figure 1).

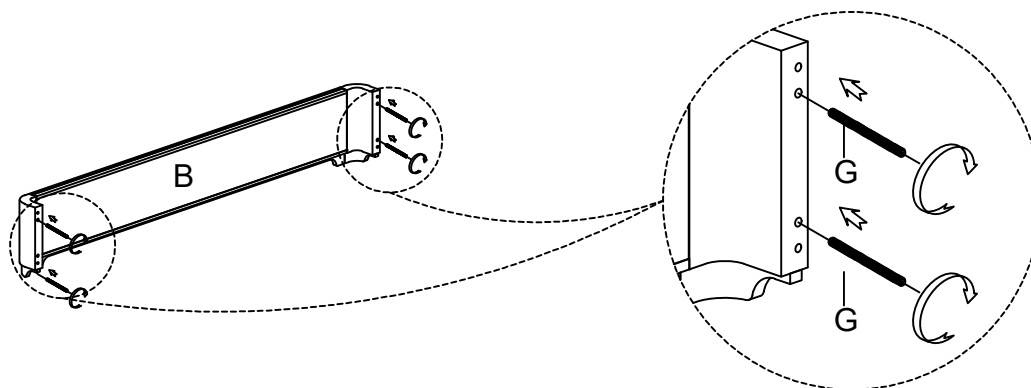
Figure 1



STEP 2

Attach all Bolts (G) to Footboard (B). (See Figure 2).

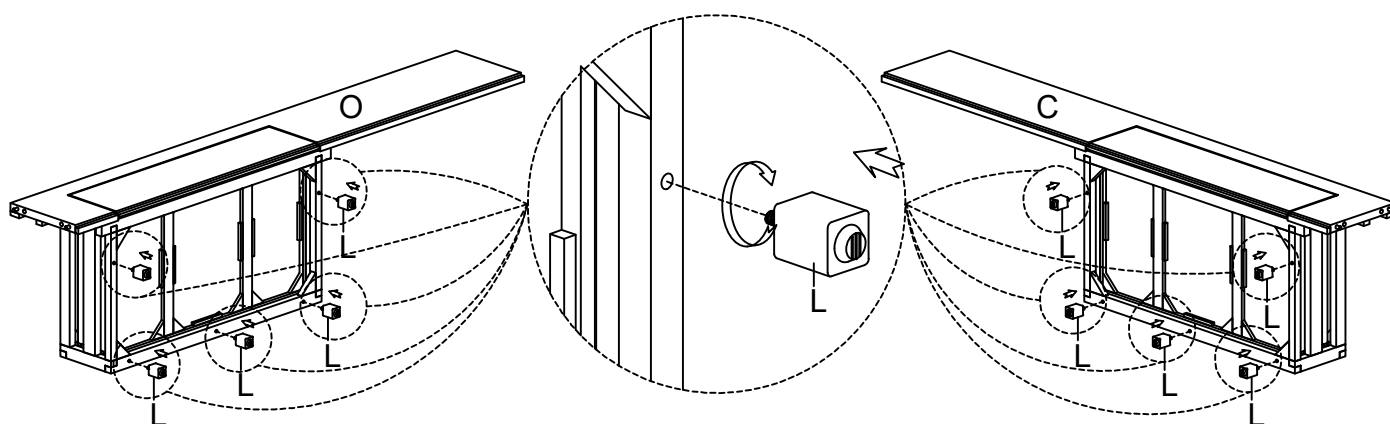
Figure 2



STEP 3

Attach all the Small Center legs (L) to Left Frame Rail (C) and Right Frame Rail (O) by turning each of the small center legs clockwise by hand until tight. (See Figure 3).

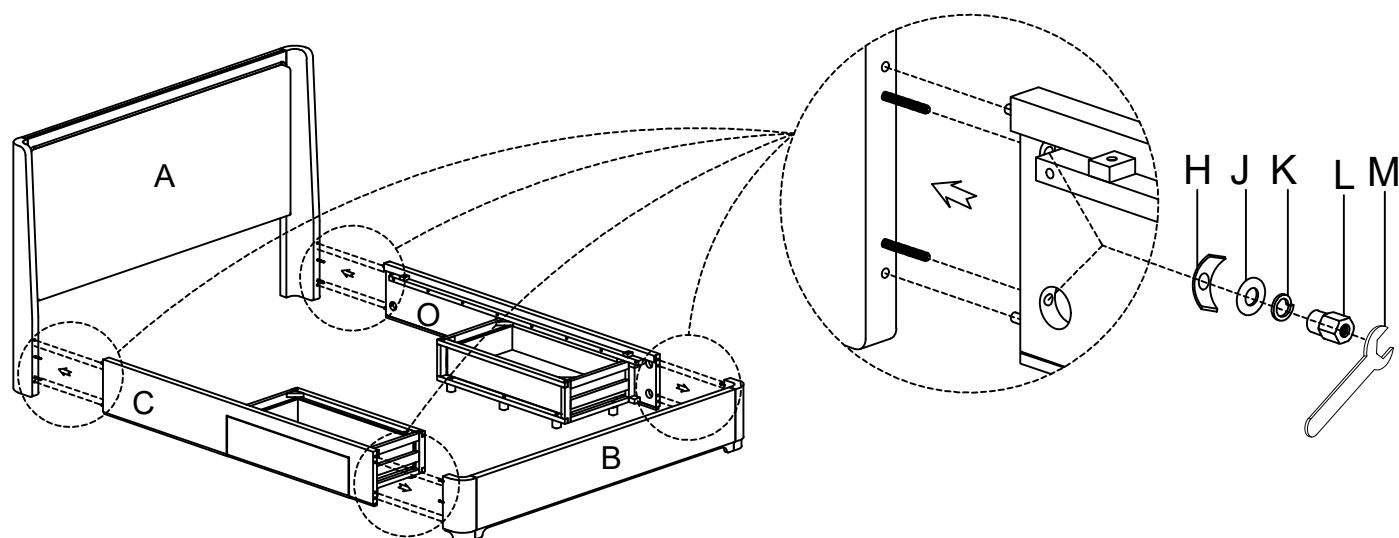
Figure 3



STEP 4

Attach the Frame Rails (C) to Headboard (A) and Footboard (B), attach all C Washer (H), Flat Washer (J), Spring Washer (K), Hex Nut (L), level Rails to Headboard and Footboard then tighten with the Allen Wrench (M). (See Figure 4).

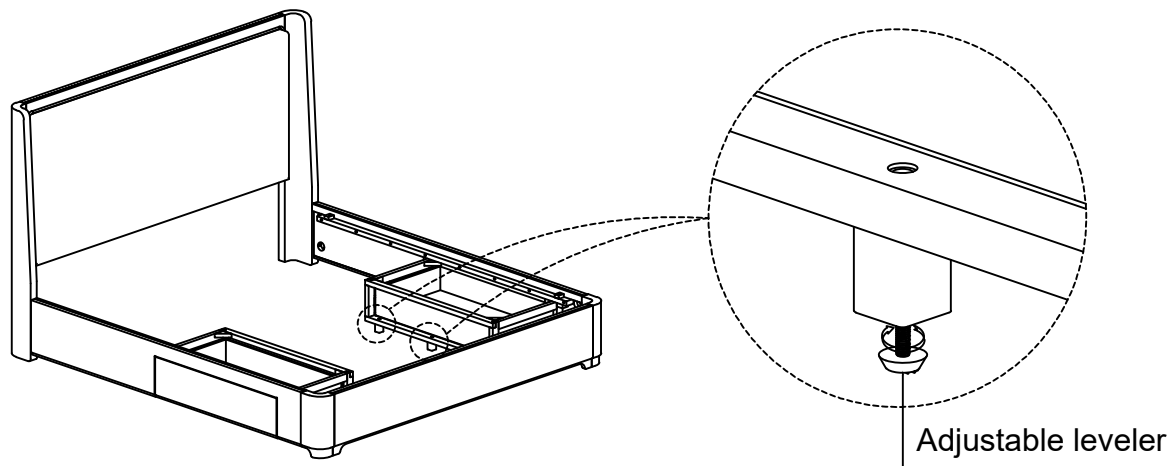
Figure 4



STEP 5

Adjust the levelers under the Small Center legs until the furniture is leveled. (See Figure 5).

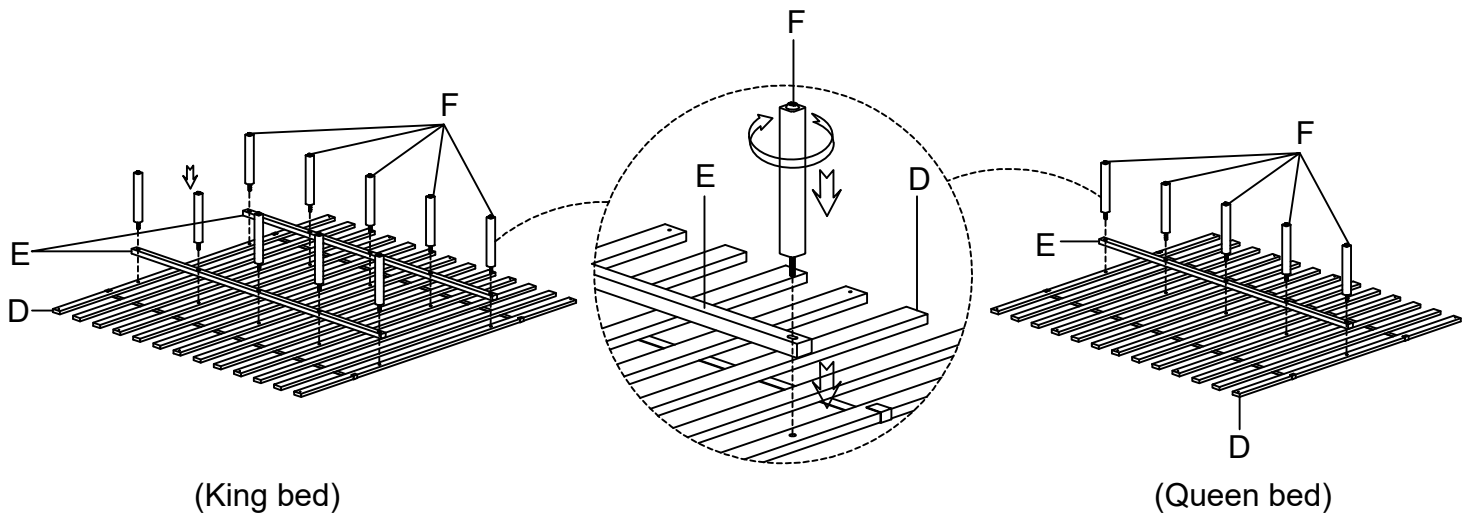
Figure 5



STEP 6

Attach the Center stretchers (E) to the Slats (D) by inserting the Large Center Legs (F) through each hole and rotating them clockwise by hand until tight. (See Figure 6).

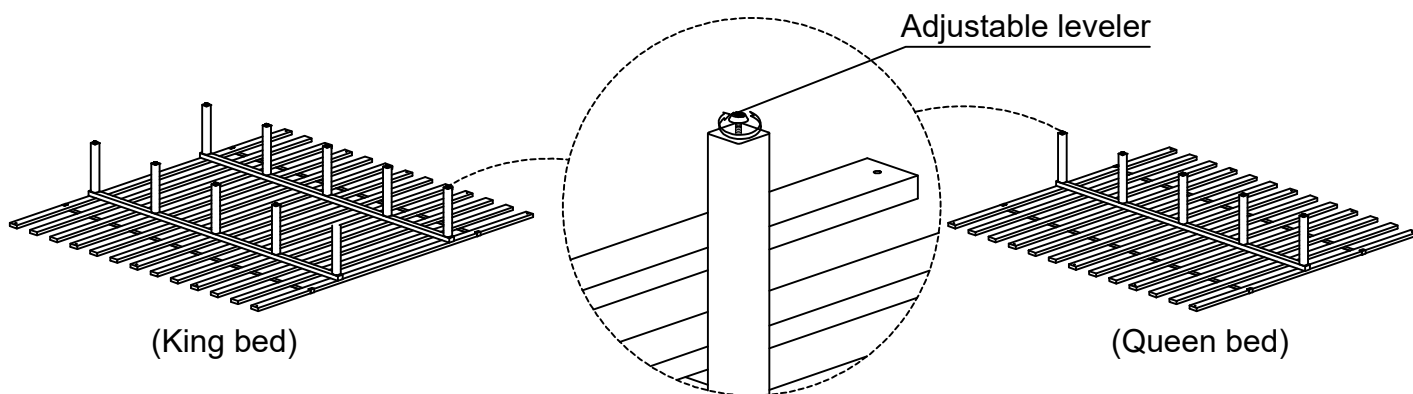
Figure 6



STEP 7

Adjust the levelers Upper the Large Center legs until the furniture is leveled. (See Figure 7).

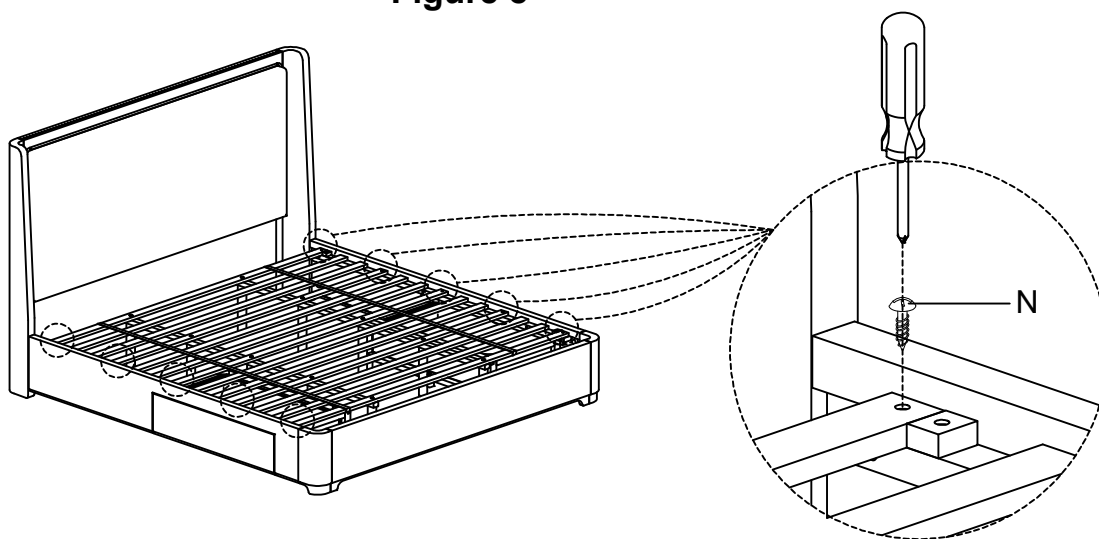
Figure 7



STEP 8

Attach the Slats (D) to the Left Frame Rail (C) and Right Frame Rail (O) with Screws (N), tightening with a Phillips Screwdriver (Not Included). (See Figure 8).

Figure 8



CARE INSTRUCTIONS

- Avoid the use of harsh chemicals or abrasive cleaning materials.
- Wipe the bed clean with a soft, dry cloth after each use.
- Wipe up spills quickly with a soft, dry cloth.

Flexsteel Industries, Inc.

For Parts or Customer Service call
toll-free:

1-888-415-3979

Monday-Friday

8:00 a.m. -5:00 p.m.

(Central Time)

Email:

customersolutions@flexsteel.com

www.flexsteel.com