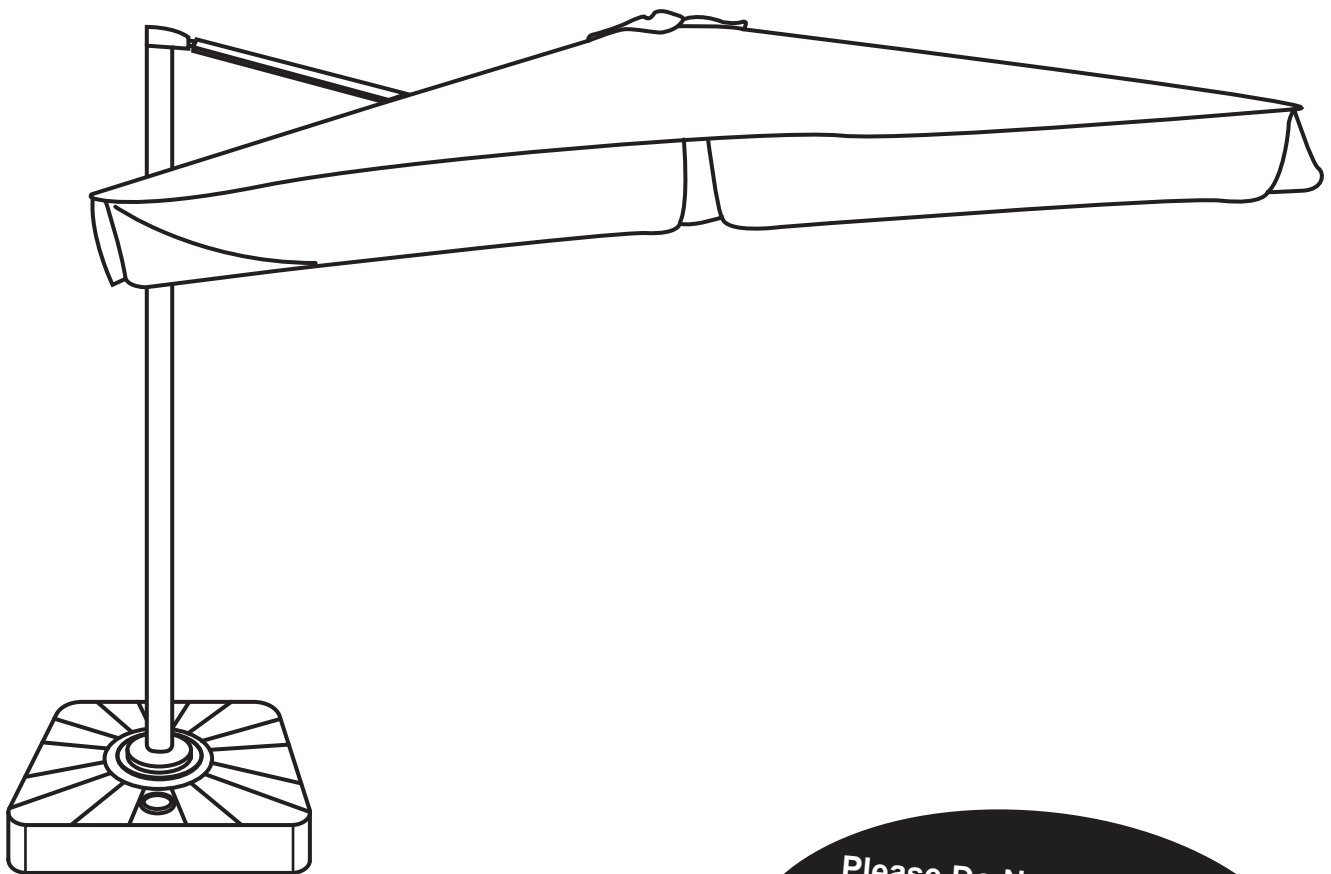




Santorini II 10-ft Square Cantilever Umbrella
with Sunbrella® Fabric



Please Do Not Hesitate to
Contact Our Consumer Hotline
at 800-759-0977
with Any Questions That May
Arise During Assembly or
Use of This Product!

NU6045B • NU6050B • NU6055B • NU6070B • NU6080B
NU6170B • NU6175B • NU6180B • NU6185B • NU6190B

www.bluewaveproducts.com

PACKAGE CONTENTS

A – (1) Main Umbrella*

B – (1) Plastic Water Fillable Stand
(incl. in separate carton as
NU6000JL)

C – (1) Base Pole, NUP4117

D – (1) Swivel Cover, NUP4118

E – (1) Allen Wrench, NUP4119

F – (4) Stainless Bolt, NUP4120

G – (4) Washer, NUP4121

H – (1) Threaded Knob, NUP4122

I – (1) Crank Handle, NUP4123

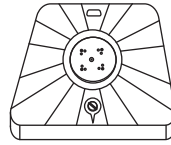
J – (1) Umbrella Cover, NUP4124

* For main umbrella replacement
please specify the item number
for your umbrella

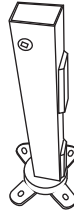
A



B



C



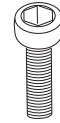
D



E



F



G



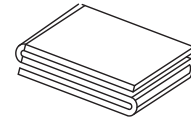
H



I



J



SAFETY INFORMATION

Please read and understand this entire manual before attempting to assemble or install the product.

- Assemble on level ground.
- Keep children away from assembly area.
- Two adults are required for safe assembly.
- The stand is quite heavy (220lbs) after being filled with water, special attention is necessary for your safety.
- In case you want to move the umbrella to a new place, please close the umbrella and pour the water out of the stand first.

PREPARATION

Before beginning assembly of product, make sure all parts are present. Compare parts with package contents list. If any part is missing or damaged, do not attempt to assemble the product.

Estimated Assembly Time: 10 Minutes

The tool for assembly is with the umbrella

CARE AND MAINTENANCE

Clean with mild soap and lukewarm water, rinse and air dry.

When not in use, close and cover the umbrella with a protective cover (included).

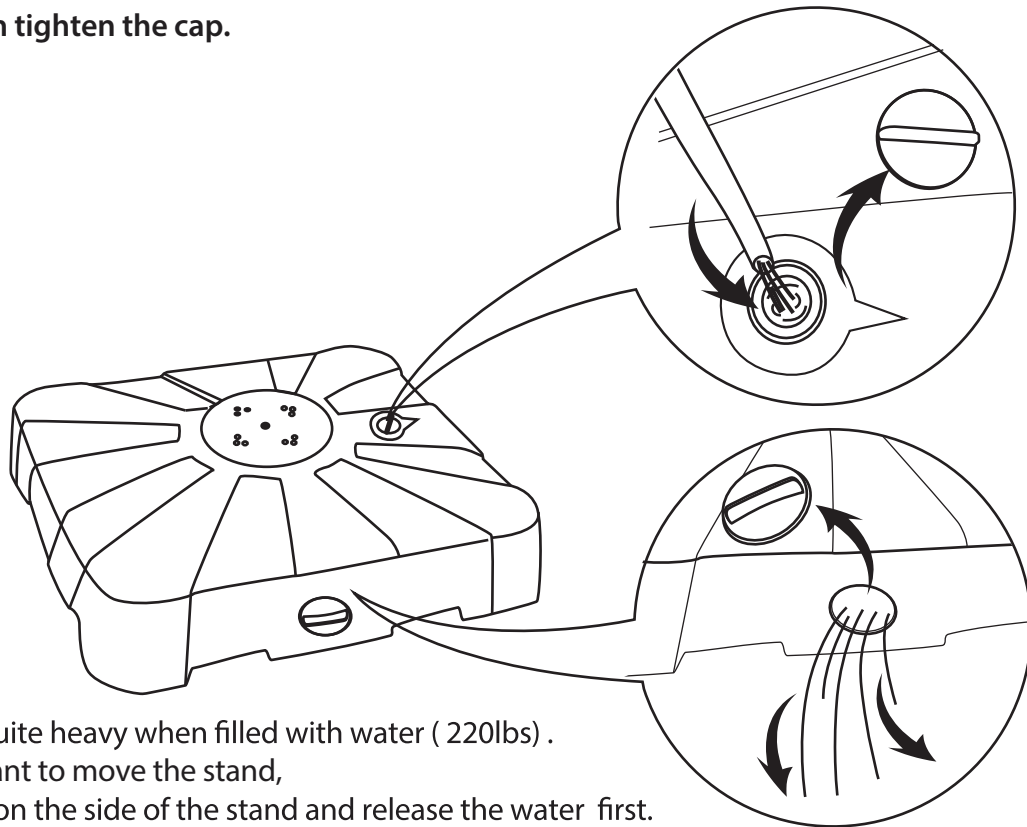
The umbrella must be closed in windy weather to avoid any damages.

Store the product indoors in a cool, dry place.

ASSEMBLY INSTRUCTIONS

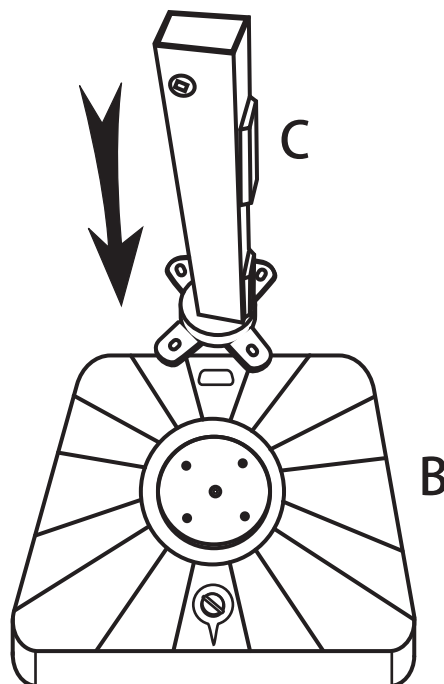
Carefully check all packaging materials before discarding.
Do not assemble if there are missing pieces.

- Step 1** Put the stand on a level ground where you intend to locate your umbrella.
Open the cap on the top of the stand & fill the stand with water.
Then tighten the cap.

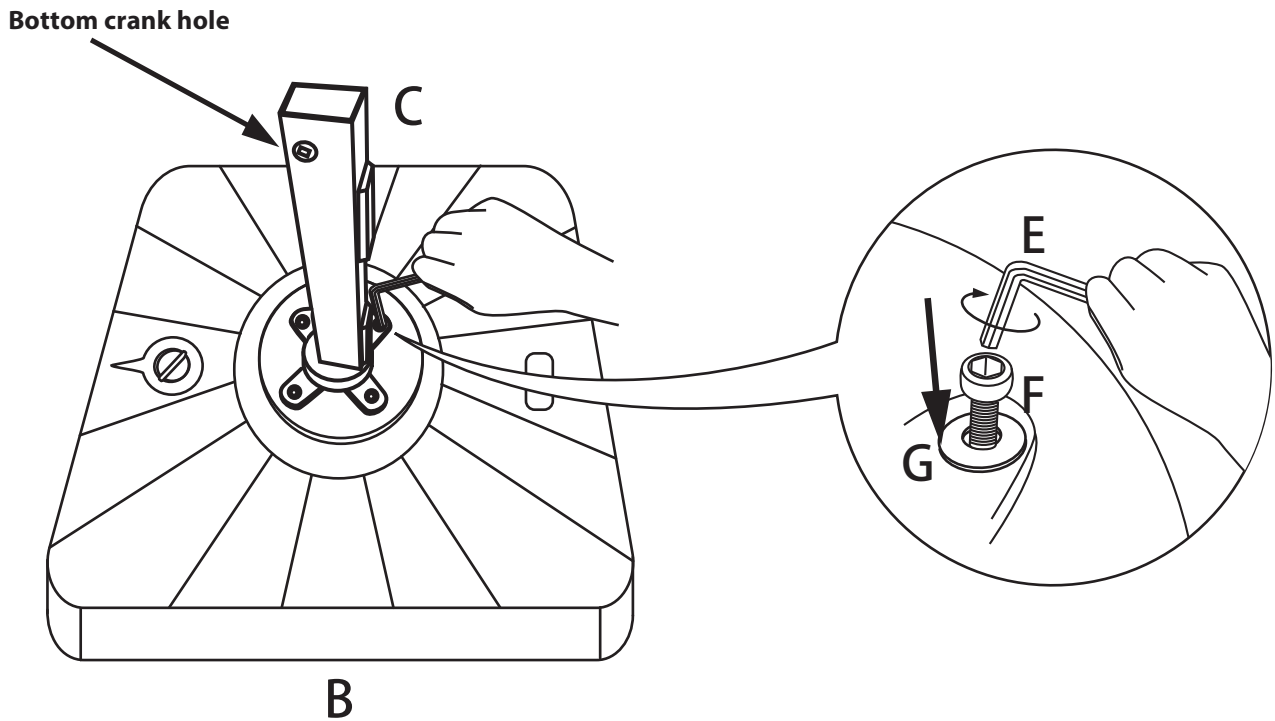


The stand is quite heavy when filled with water (220lbs) .
In case you want to move the stand,
open the cap on the side of the stand and release the water first.

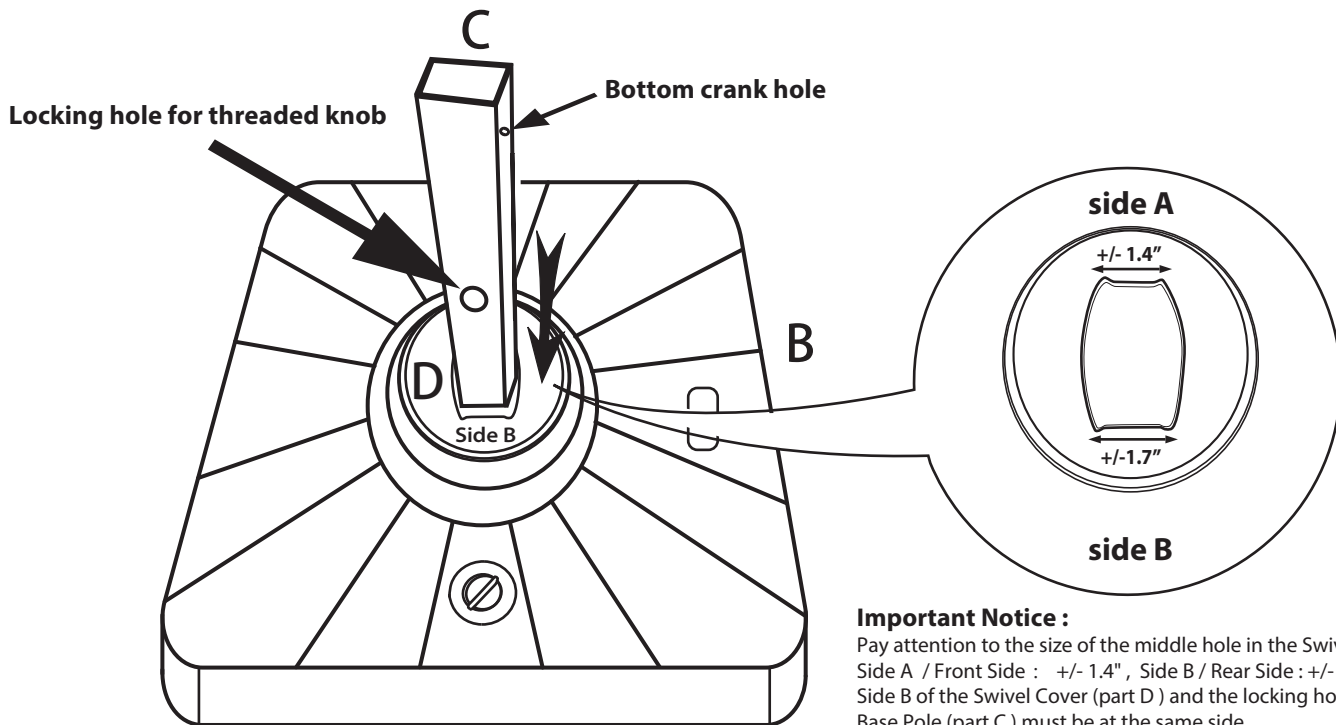
- Step 2** Put the Base pole (part C) on the top of the Plastic Water Fillable Stand .



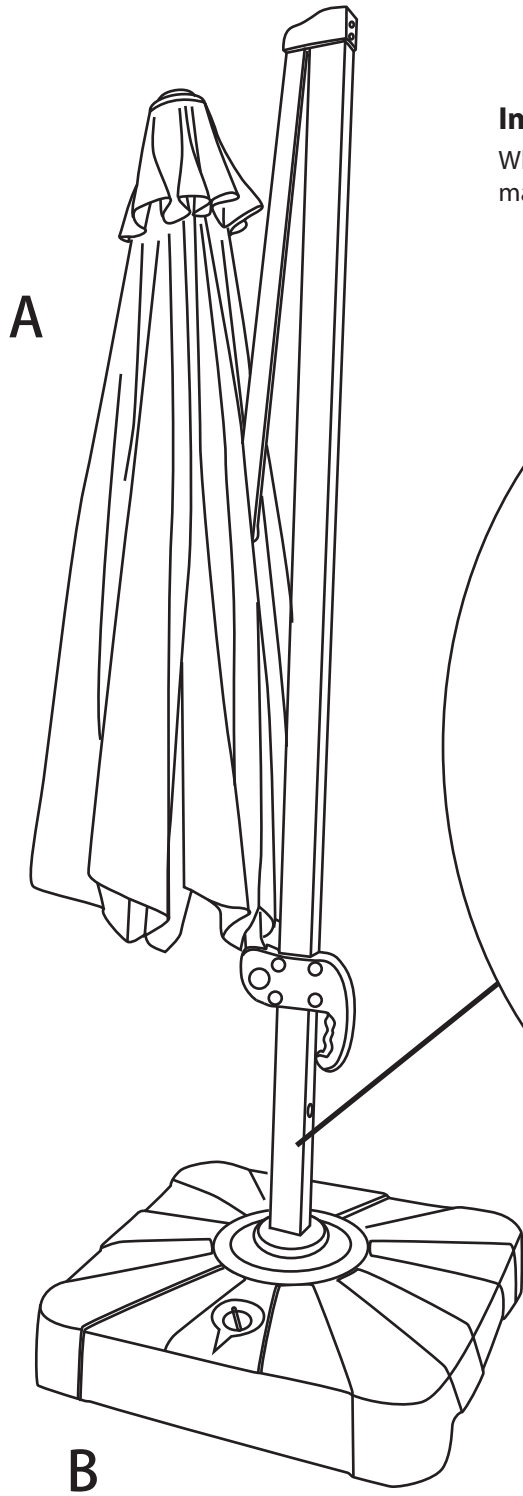
Step 3 Fix the Base Pole (part C) on the top of the Plastic Water Fillable Stand (part B) with bolts F & washers G use the Allen Wrench (E)



Step 4 Put the Swivel Cover (part D) around the Base Pole (part C) .

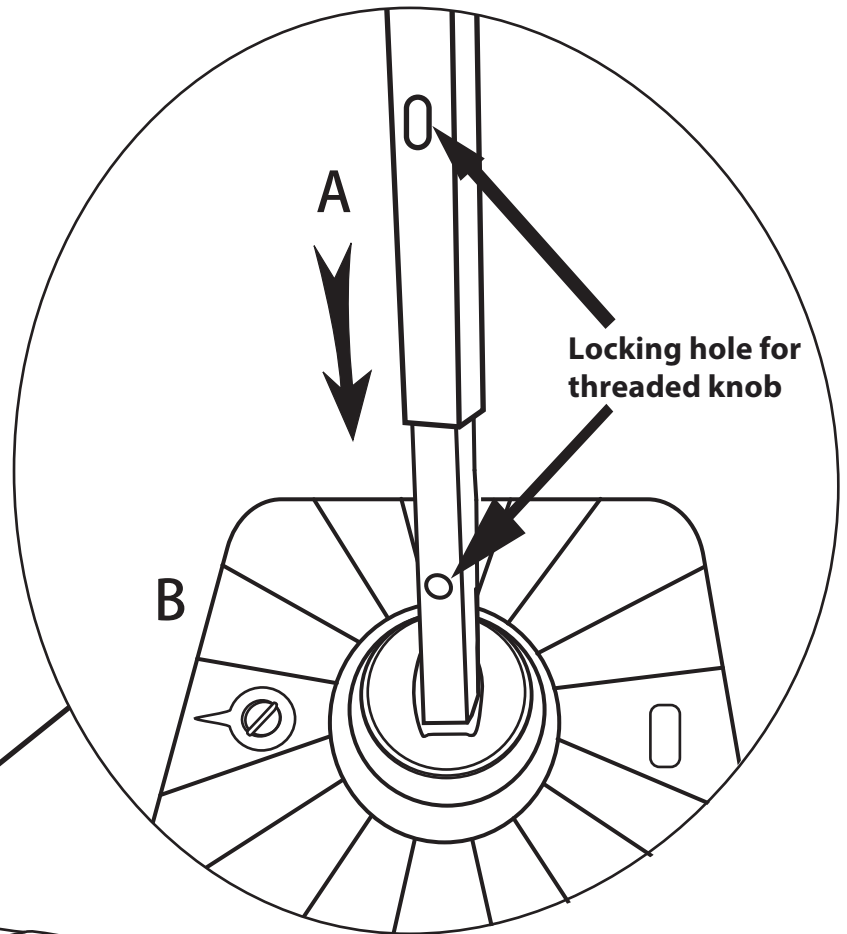


Step 5 Put the Main Umbrella (Part A) outside the Base Pole (Part C)

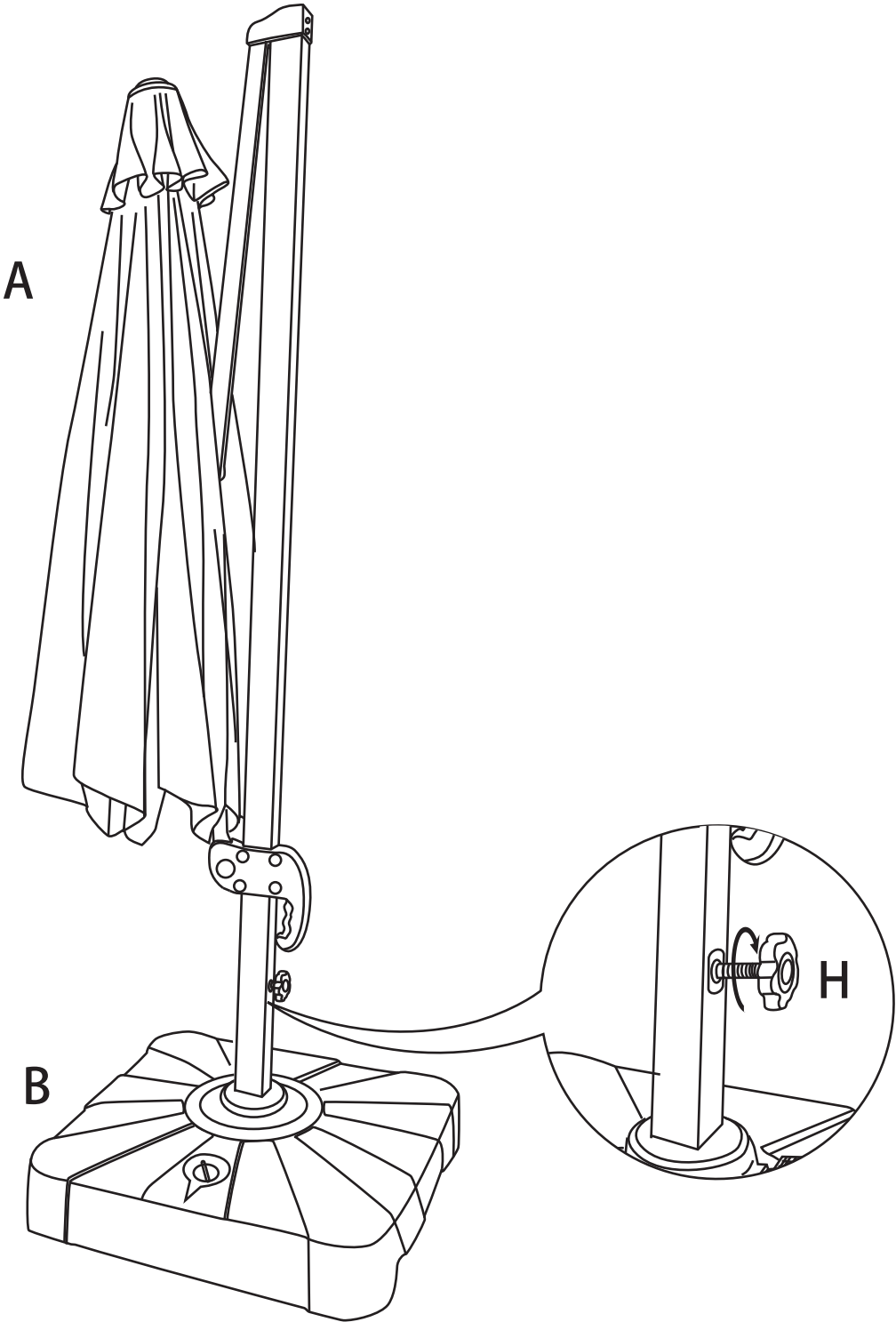


Important Notice :

When you put the Main Umbrella outside the Base Pole, make sure the locking holes are on the same side .

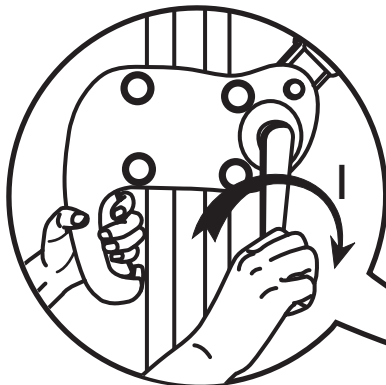


Step 6 Fix the Threaded Knob (Part H) into the locking hole.



Step 7 There are 3 Crank Holes on your umbrella. Top crank hole for canopy tilting, Bottom crank hole for 360 degree rotation. Middle crank hole for umbrella opening and closing.

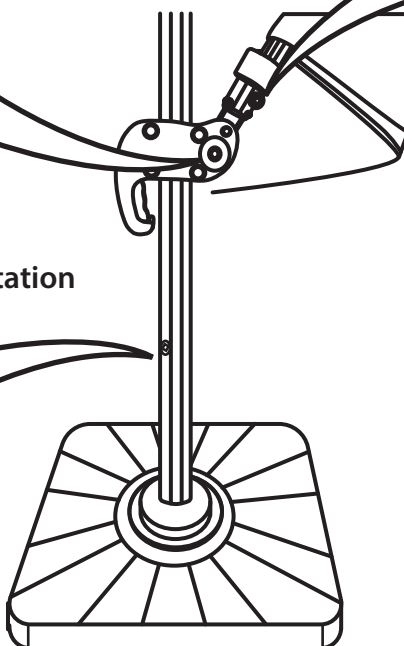
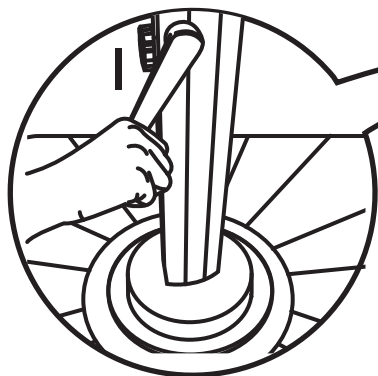
Middle Crank Hole for umbrella opening and closing



Top Crank Hole for canopy tilting

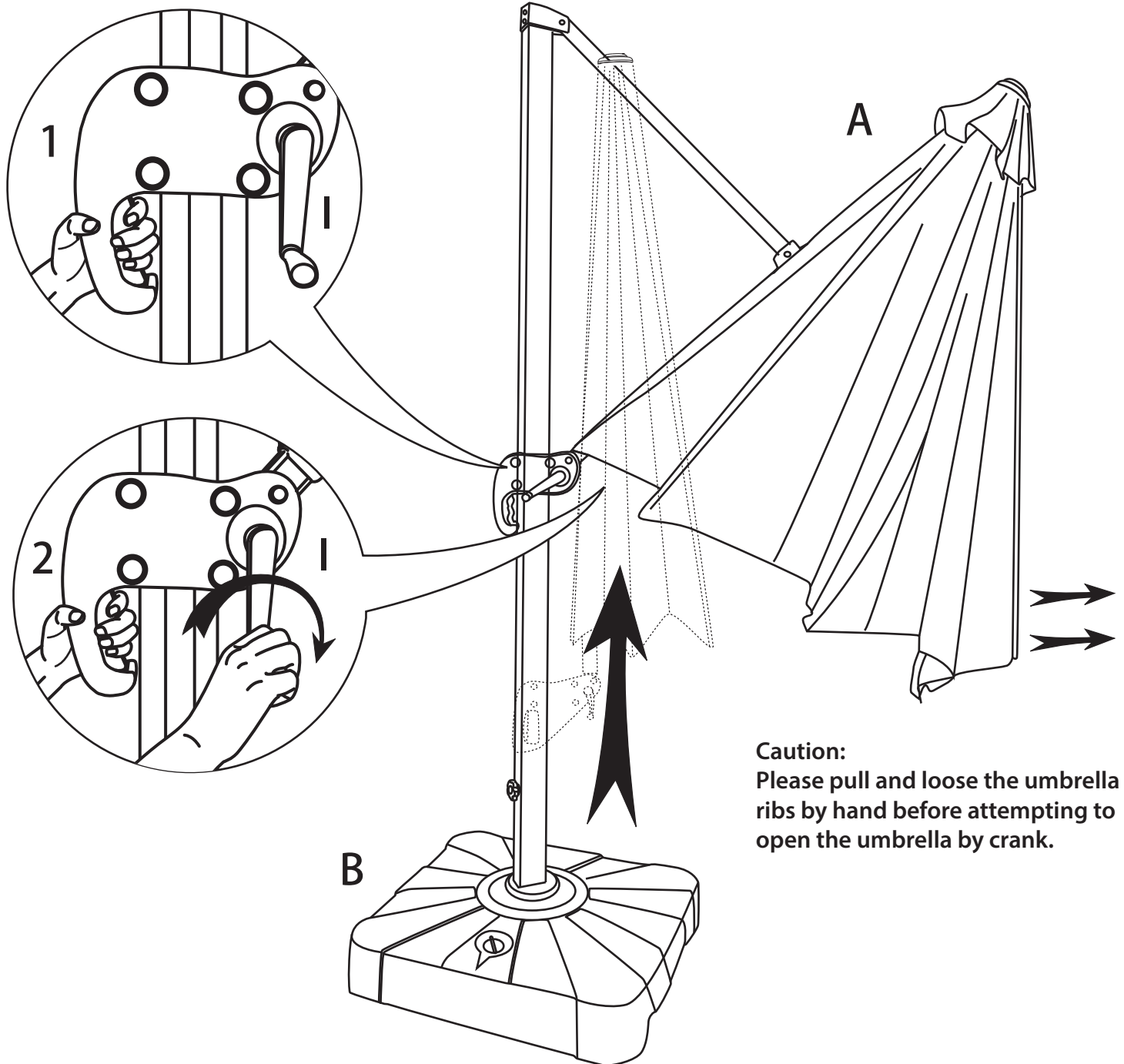


Bottom Crank Hole for 360 degree rotation

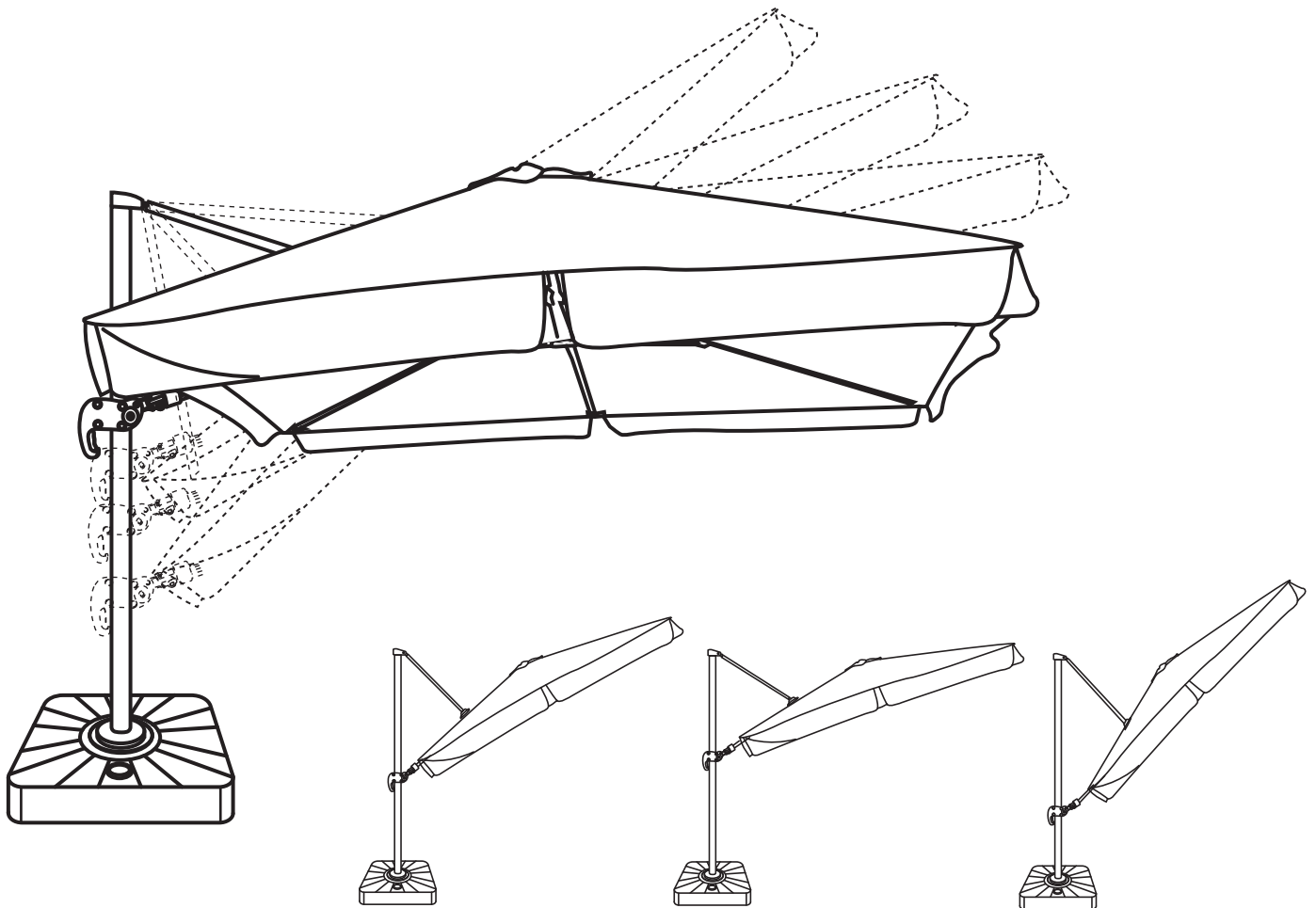
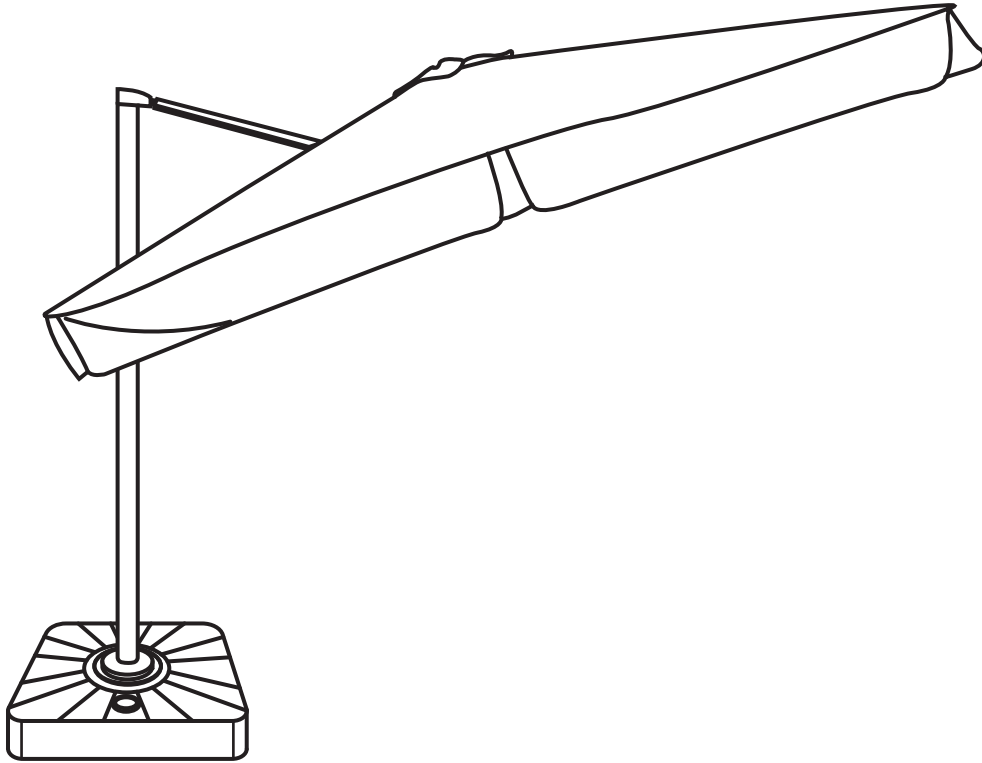


Step 8

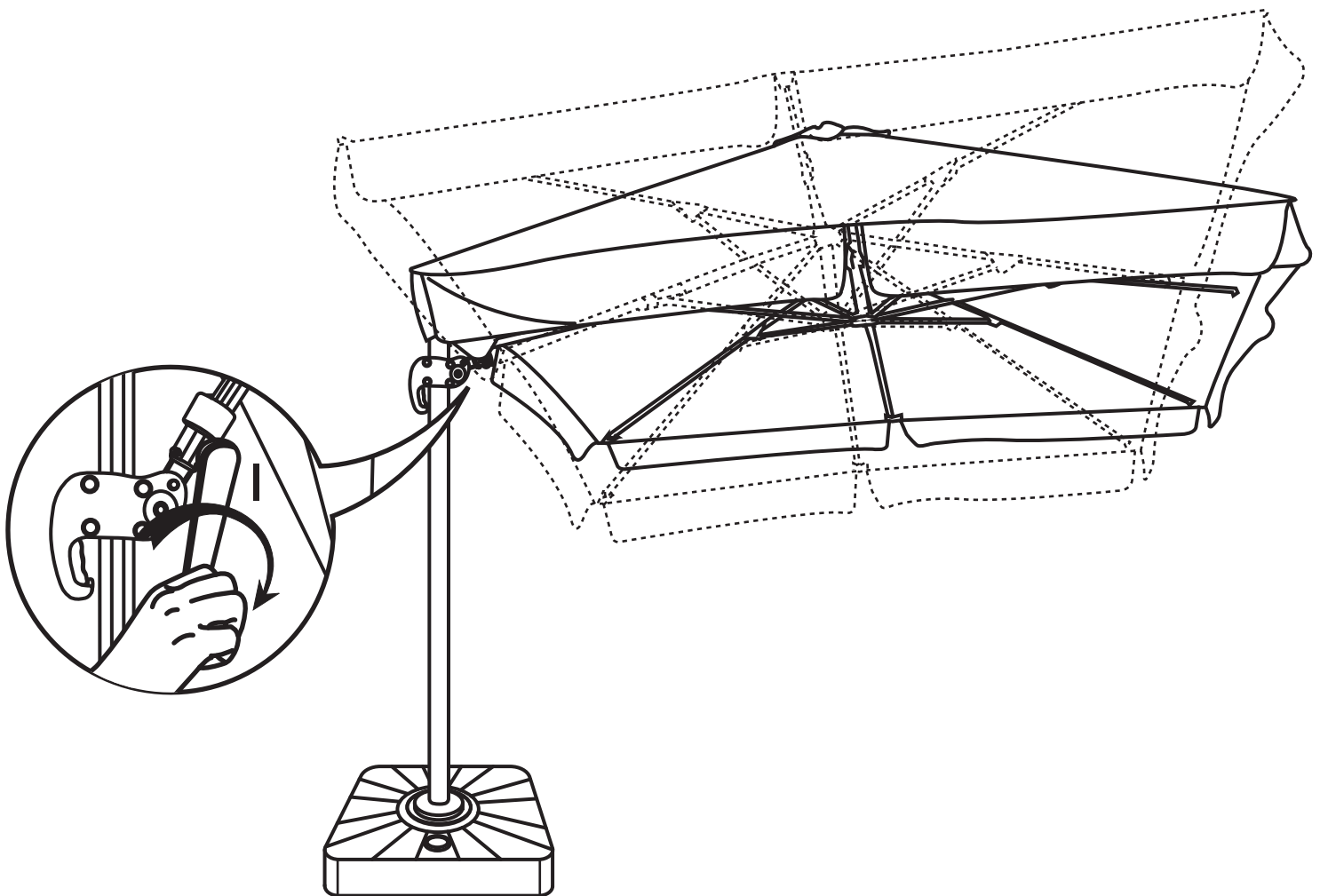
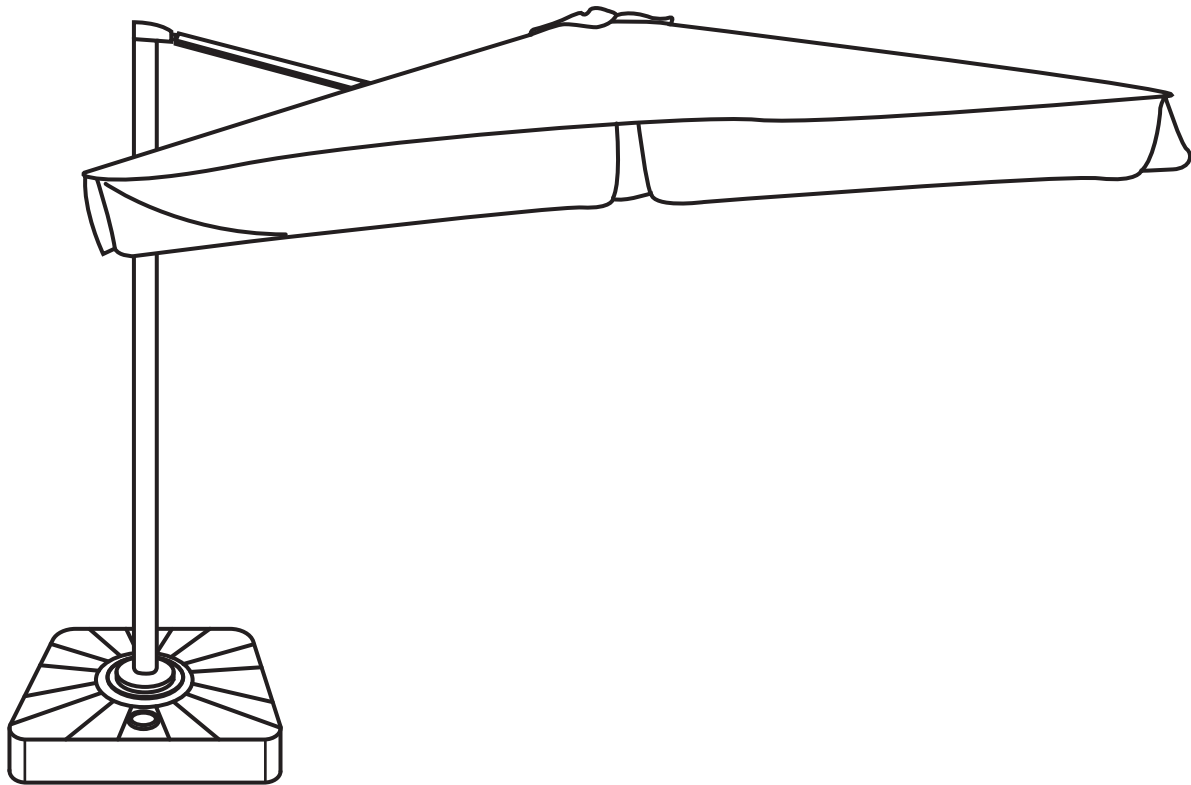
Squeezing the trigger before attempting to raise the crank house. Fix the Crank Handle (I) into the middle crank hole and turn clockwise to extend the umbrella fully .



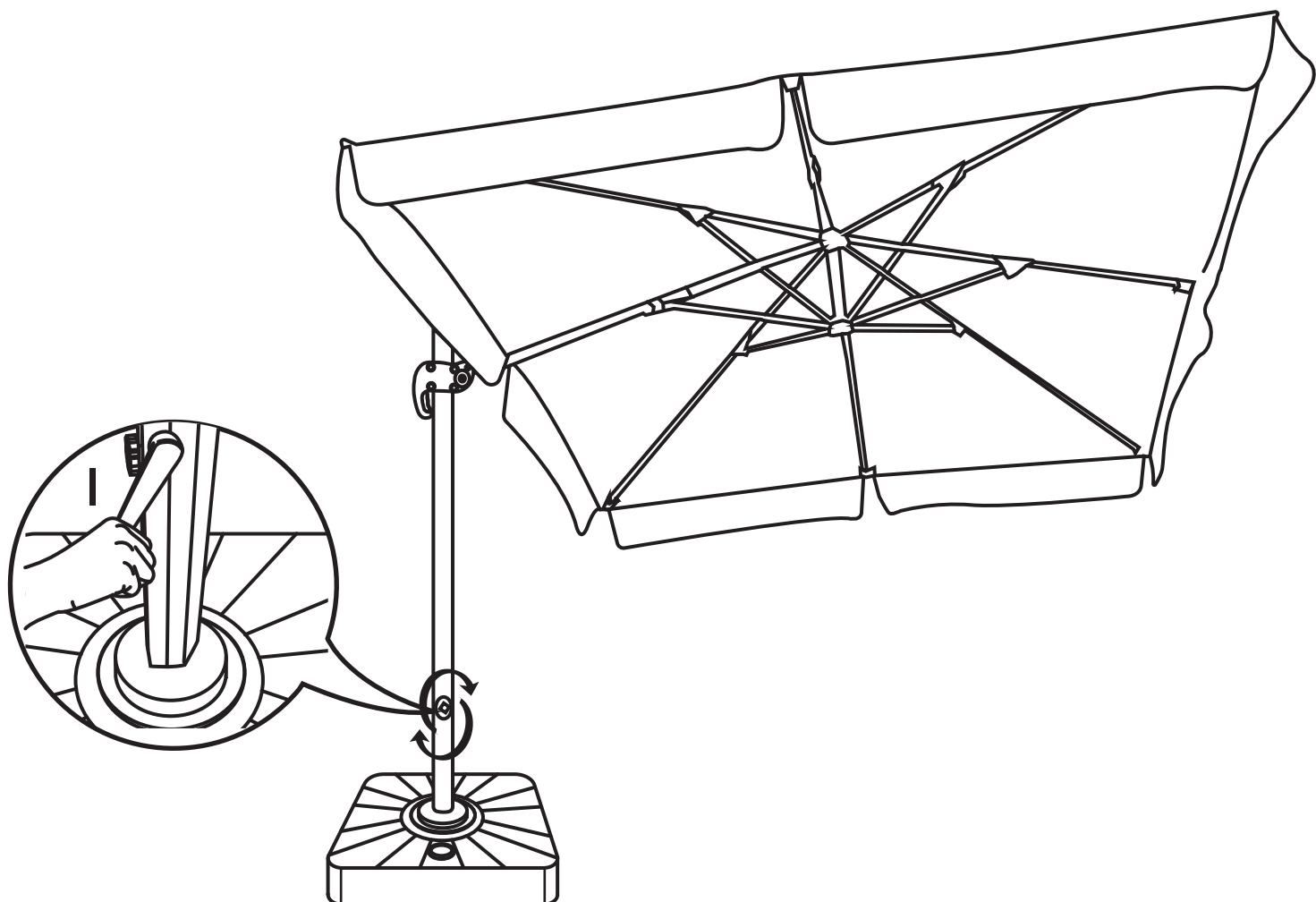
Step 9 The umbrella has 6 position holes on the main pole to fix the canopy at different angles .



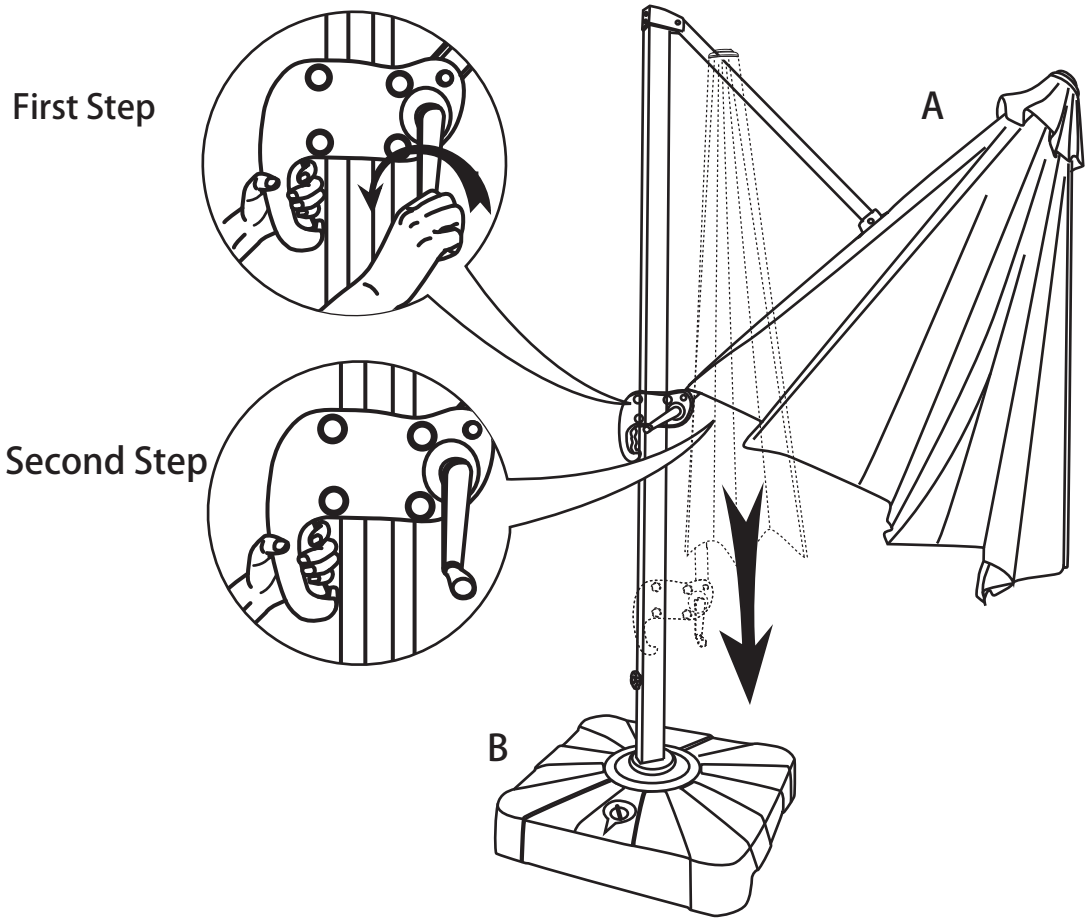
Step 10 Fix the Crank Handle (I) into the top crank hole to tilt your umbrella canopy.



Step 11 Fix the Crank Handle (I) into the bottom crank hole to rotate your umbrella in 360 degrees.



Step 12 Squeezing the trigger before attempting to lower the crank house. Turn the Crank handle counter-clockwise to close the umbrella.



Step 13 When not in use, place Umbrella Cover (part J) over the umbrella .

