

2 SHELF UTILITY CART W / LOCKING DRAWER

Item Number W54004

OWNER'S MANUAL



Performance Tool®

▲WARNING: READ, UNDERSTAND AND FOLLOW ALL INSTRUCTIONS AND WARNINGS BEFORE OPERATING THIS TOOL. FAILURE TO DO SO MAY RESULT IN PERSONAL INJURY AND/OR PROPERTY DAMAGE AND WILL VOID WARRANTY.

PT®
Performance Tool

SPECIFICATIONS

2 Shelf cart overall height 35-1/4 in.
 Load capacity 350 lbs.
 Shelf dimensions 30 x 16 x 3-1/2 in. deep
 Drawer dimensions 27 x 15 x 3-3/4 in. deep
 2 heavy-duty swivel casters for easy maneuvering 4 in.
 2 heavy-duty locking casters 4 in.

Package dimensions 32 x 16-13/16 x 10 in.
 Material Stainless steel
 Finish Red powder coat
 Lockable Yes
 Item weight 43.8 Lbs.

Specifications are subject to change without notice.

SAFETY GUIDELINES / DEFINITIONS

This instruction manual is intended for your benefit. Please read and follow the safety, installation, maintenance and troubleshooting steps described within to ensure your safety and satisfaction. The contents of this instruction manual are based upon the latest product information available at the time of publication. The manufacturer reserves the right to make product changes at any time without notice.

▲ DANGER: Indicates an imminently hazardous situation that, if not avoided, WILL result in death or serious injury

▲ CAUTION: Indicates a potentially hazardous situation that, if not avoided, MAY result in minor or moderate injury.

▲ WARNING: Indicates a potentially hazardous situation that, if not avoided, COULD result in death or serious injury.

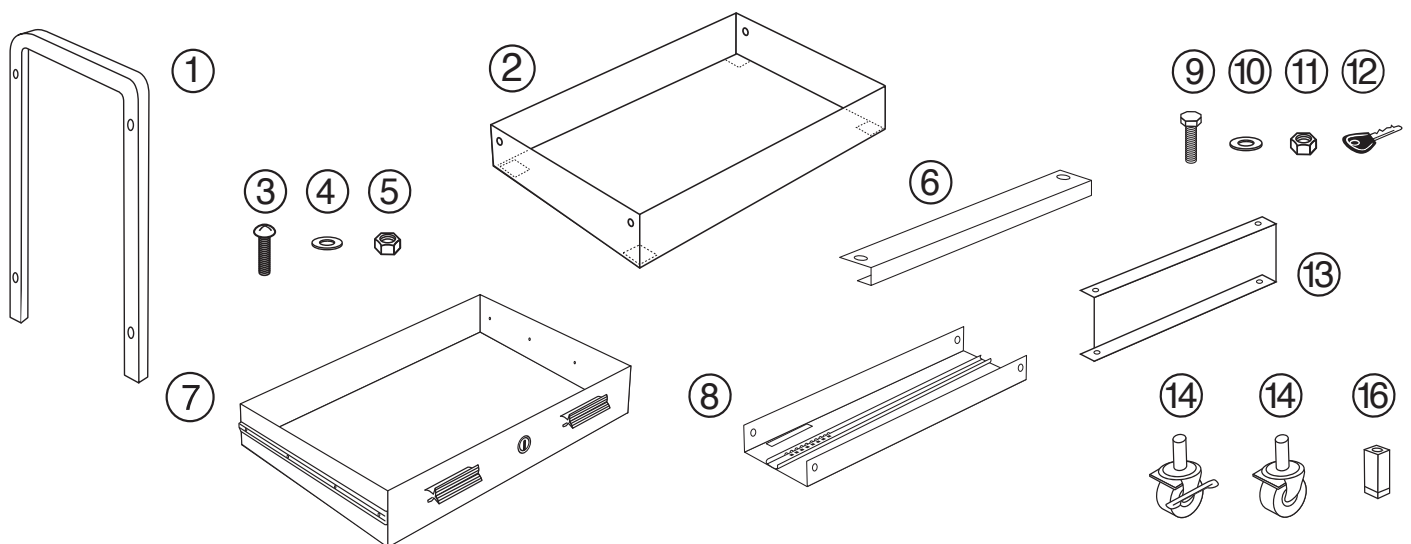
▲ NOTE: Indicates important information, which if not followed, MAY cause damage to equipment.

TOOLS REQUIRED (not included)

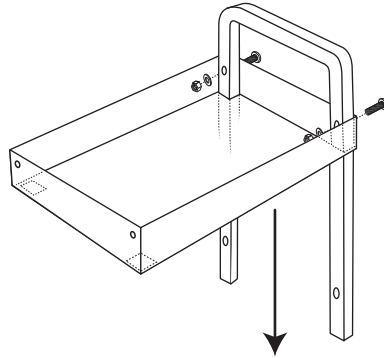
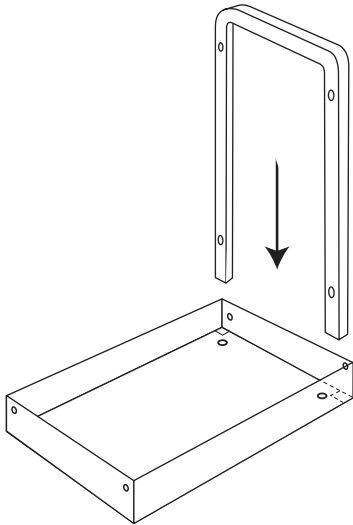
- 10 mm wrench or socket - Rubber mallet
- 14 mm wrench or socket

PARTS LIST

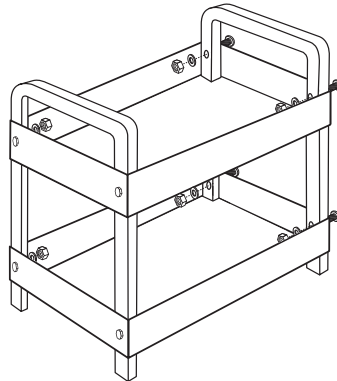
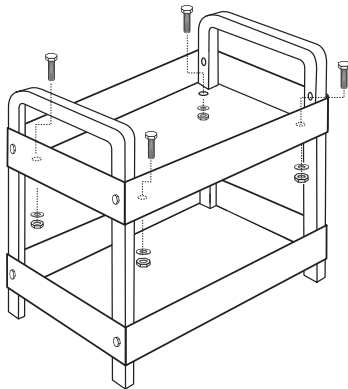
No.	Description	Qty.	No.	Description	Qty.
1	Handle	2	9	3/4 in. Bolt.....	8
2	Shelf	2	10	Large washer.....	8
3	1-1/2 in. Bolt	8	11	14 mm Hex Nut.....	8
4	Small washer	8	12	Key	1
5	10mm Hex Nut.....	8	13	Drawer back cover.....	1
6	Crossbar	2	14	Locking Swivel Caster	2
7	Drawer	1	15	Swivel Caster.....	2
8	Side bracket with drawer rail	2	16	Caster Holder	4



ASSEMBLY INSTRUCTIONS

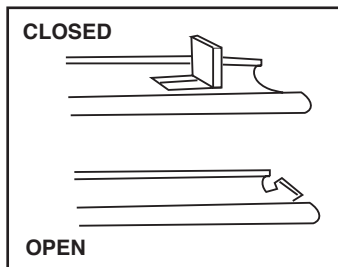


1. Slide a handle (1) through the holes on one end of the shelf (2).
2. Line up the holes nearest the bend in the handle with the holes on the side of the shelf.
3. Insert bolts (3) through the shelf and the handle and secure with a washer (4) and hex nut (5).
4. Slide the remaining handle through the shelf on the opposite end, and repeat steps 2 thru 3.
5. Slide the remaining shelf onto the handle, lining up the holes on the side of the shelf with the holes on the handle nearest the bottom of the cart.
6. Insert bolts (3) through the shelf and handle on all four corners and secure with a washer (4) and hex nut (5).
7. Go back and check to make sure all fasteners are tight.
8. Turn utility cart upside down and place on a flat surface.



9. Place a cross bar (6), both side brackets (8) and back drawer cover (13) onto underside of the top shelf. **(NOTE: Make sure the rails on the side brackets are facing toward each other. The closed ends of the rails must face the drawer back cover or rear of the cart, when attached to the utility cart. See close up.)**

10. Align the holes on the crossbar (6), both side brackets (8) and back drawer cover (13) with the holes in the corners of the shelf underside.
11. Insert bolts (9) through the shelf at each corner, attaching the crossbar (6), both side brackets (8) and back drawer cover, and secure each bolt with a washer (10) and 14mm hex nut (11).
12. Attach remaining crossbar (6) to side brackets (8) and fasten together with bolts (9), washers (10) and hex nuts (11).



13. Fasten together the side brackets (8) to the drawer back cover (13) with bolts (9), washers (10) and hex nuts (11).

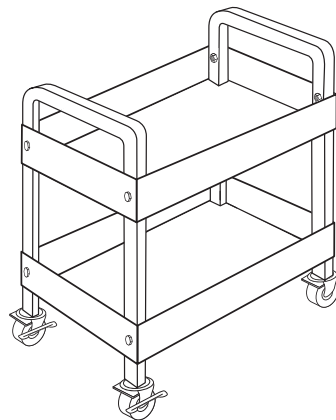
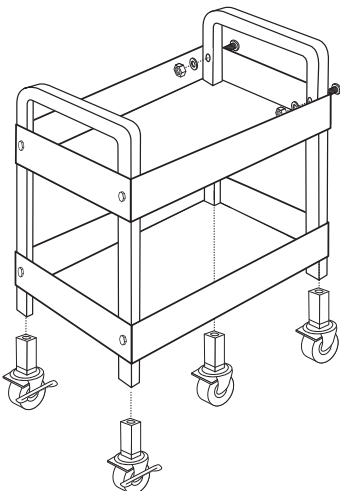
14. Go back and check to make sure all fasteners are tight.
15. With the utility cart still upside down, insert the smaller end of the caster holders into the hollow ends of the handles. **(NOTE: If necessary, use a rubber or plastic mallet to seat holders into handles completely.)**

16. Attach the locking casters to one end of the cart by inserting the pins on the caster into the castor holders. **(NOTE: If necessary, use a rubber or plastic mallet to seat casters into the caster holders completely.)**

17. Repeat step 9 with the non-locking castors on the other end of the cart.

18. Carefully flip the cart back to its up-right position.

19. Slide drawer into open area at front of utility cart. **(NOTE: While attaching drawer, insure that the rails on the sides of the drawer are inserted into the drawer support rails located on the inside of the side brackets. If the drawer will not slide into the side bracket rails, the side brackets may have been installed upside down. Refer to step 10.)**



ASSEMBLY INSTRUCTIONS

TO LOCK DRAWER:

1. Close drawer completely.
2. Insert key (12) into keyhole and turn 90° counter clockwise.
3. Remove key and pull on drawer handle to make sure lock is engaged.

TO UNLOCK DRAWER:

1. Insert key into keyhole and turn 90° clockwise.
2. Remove key and pull drawer open.
3. Store key safely.

1 YEAR WARRANTY

PERFORMANCE TOOL® extends only the following warranties, and only to original retail purchasers. These warranties give specific legal rights. Except where prohibited by local law, the law of the State of Washington governs all warranties and all exclusions and limitations of warranties and remedies. There may be other rights which vary from state to state.

PERFORMANCE TOOL® warrants the product to be free from defects in materials and workmanship under normal use and service. A defective product may be returned for a free replacement within 90 days from the date of purchase, provided that product is returned to place of purchase immediately after discovery of defect. After 90 days and up to one year from date of purchase, PERFORMANCE TOOL® will replace at no charge any parts which our examination shall disclose to be defective and under warranty. These warranties shall be valid only when a sales receipt showing the date of purchase accompanies the defective product or defective part (s) being returned. For part (s) after 90 days, please remit your request, postage prepaid to:

PERFORMANCE TOOL, P.O. Box 88259 Tukwila, WA 98138

These warranties exclude blades, bits, punches, dies, bulbs, fuses, hoses, and other consumables which must be replaced under normal use and service. These warranties shall not apply to any product or part which is used for a purpose for which it is not designed, or which has been repaired or altered in any way so as to affect adversely its performance or reliability, nor shall these warranties apply to any product or part which has been subject to misuse, neglect, accident or wear and tear incident to normal use and service.

PERFORMANCE TOOL® does not authorize any other person to make any warranty or to assume any liability in connection with its products.

Except for warranties of title and the limited express warranties set forth above, PERFORMANCE TOOL® makes no express or implied warranties of any kind with respect to its products. In particular, PERFORMANCE TOOL® makes no implied warranty of merchantability and no implied warranty of fitness for any particular purpose, except that for goods purchased primarily for personal, family or household use and not for commercial or business use, PERFORMANCE TOOL® makes an implied warranty of merchantability (and, if otherwise applicable, an implied warranty of fitness for a particular purpose), but only for the particular qualities or characteristics, and for the duration, expressly warranted above. The laws on limitation of implied warranties may differ from state to state, so the above limitations may not apply in all cases.

PERFORMANCE TOOL® shall not be liable for consequential, incidental or special damages resulting from or in any manner related to any product, or to the design, use, or any inability to use the product. The sole and exclusive remedy for a defective product or part shall be the repair, or replacement thereof as provided above. The laws on limitation of remedies or on consequential, incidental or special damages may vary from state to state, so the above limitations may not apply in all cases.

© Copyright 2020 WILMAR CORPORATION, P.O. Box 88259 Tukwila, WA 98138