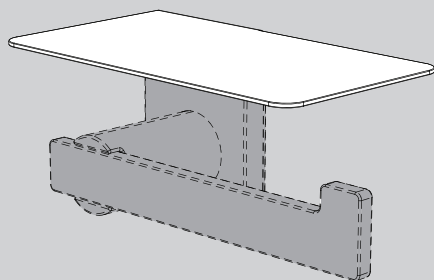


INSTRUCTIONS FOR MODELS

SA-251

PAPER HOLDER SHELF




* SHOWN INSTALLED TO SPEAKMAN SA-2505 NOT INCLUDED.


NEED HELP?

For additional assistance or service please contact:

SPEAKMAN[®]

 800-537-2107

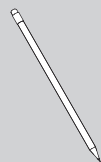
 customerservice@speakman.com

 www.speakman.com

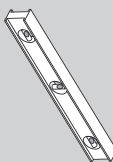
92-SA-251-01

TOOLS AND SUPPLIES

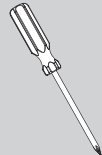
Pencil



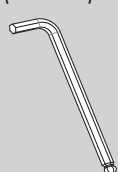
Level



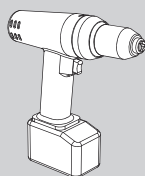
Phillips
Screwdriver



Hex Key
(included)



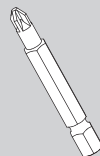
Drill



Drill Bit
Ø 3/16"



Phillips
Drive Bit



IMPORTANT



- Do not over-tighten any connections or damage may occur.
- Be sure to read instructions thoroughly before beginning installation.

NOTE: This Paper Holder Shelf is only intended to be installed in conjunction with the Speakman SA-2505 paper holder.

SAFETY TIPS

- Cover your drain to prevent loss of parts. Be sure to wear eye protection.
- If mounting to a tile surface, ensure you acquire appropriate mounting hardware capable of supporting the accessory in use. Follow the instructions included with the manufacturer's mounting hardware.

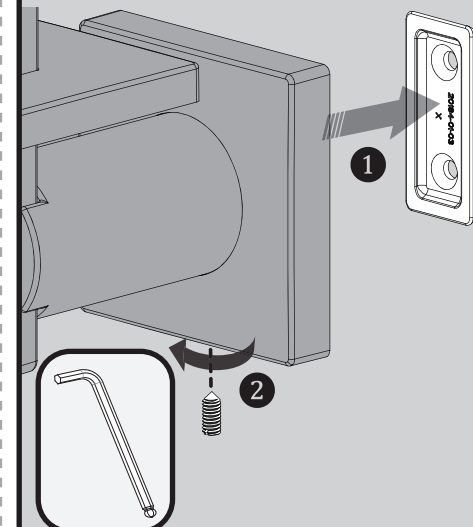
MAINTENANCE

Your new Speakman Product is designed for years of trouble-free performance. Keep it looking new by cleaning it periodically with a soft cloth. The use of harsh chemicals and abrasives on any of the Speakman custom finish products may damage the finish and void the product warranty. Please be sure to only use approved cleaners. Please contact Speakman for any clarification of acceptable cleaners.

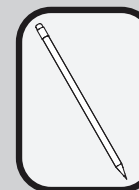
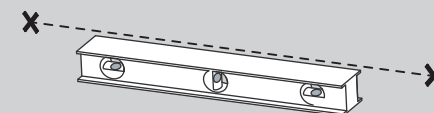
WARRANTY

Warranty information can be found at:
www.speakman.com

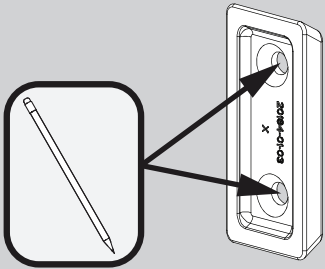
- 1** If the Mounting Plate(s) (1) come pre-installed in the Accessory (2), remove the Mounting Plate(s) by loosening (but not removing) the pre-installed set screw at bottom with the included Hex Key.



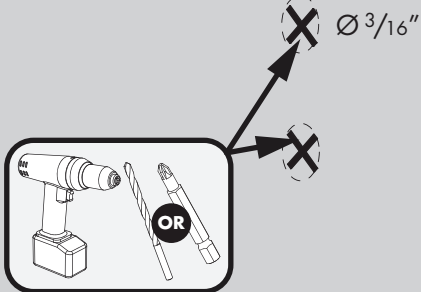
- 2** At the selected height, mark center point of mounting locations onto wall referencing the rough in diagram.



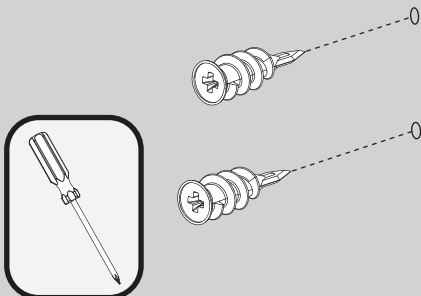
3 Align Mounting Plate over center point marked in previous step. Mounting Plate should be vertical as shown below. Mark Mounting Screw locations onto the wall surface. Remove items after marking mounting locations.



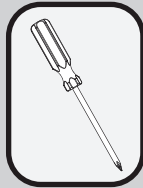
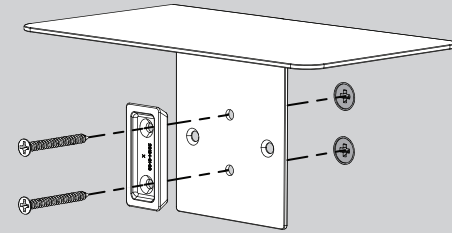
4 If mounting directly to wood stud, Plastic Anchors are not required. If mounting to drywall, drill guide holes at marked locations using a Drill equipped with a $\text{\O} 3/16''$ bit.



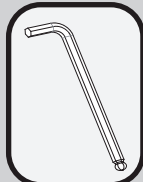
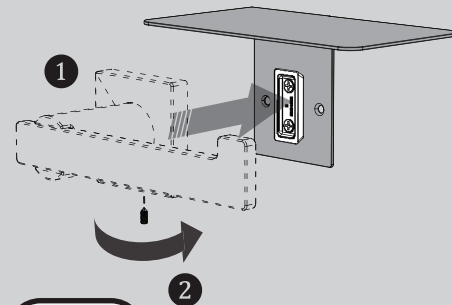
5 Insert Plastic Anchors into drilled holes and screw in the anchor using a Philips Head screwdriver, or a Drill equipped with a Phillips Driver Bit until the head is flush with the wall surface.



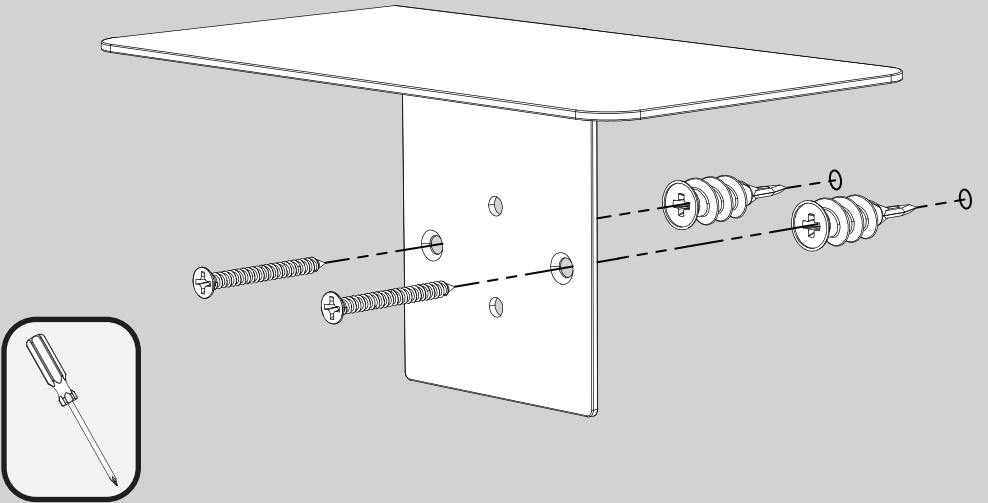
6 Install Paper Holder Shelf between the Mounting Plate and wall surface. Align the Paper Holder Shelf mounting holes with the anchors. Secure Mounting Plate and Paper Holder Shelf with the Mounting Screws provided. Verify that the Paper Holder Shelf is level.



7 Place the Speakman SA-2505 (1) (not included) over the Mounting Bracket and secure the pre-installed Set Screw (2) with the included Hex Key.

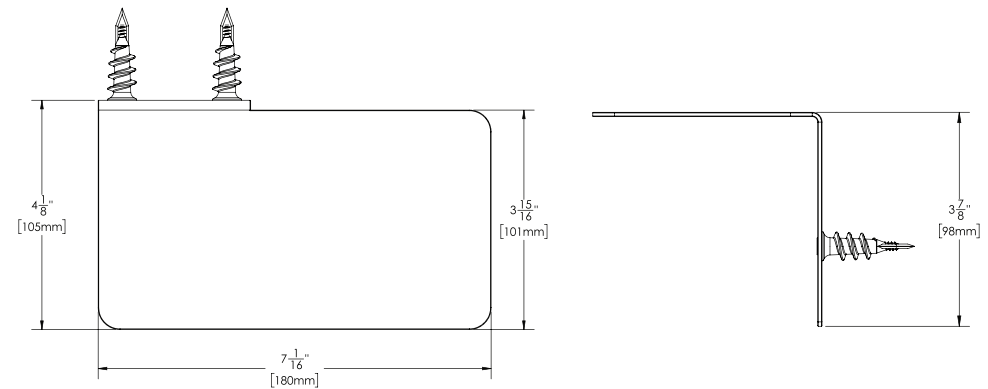


8 **OPTIONAL:** If desired, the SA-251 has the capability of being mounted alone. The SA-251 comes with a pair of Anchors and Mounting Screws in addition to the ones that come with the Speakman SA-2505 (not included). Measure $15/16''$ (24mm) in either direction from the center point, and drill two $3/16''$ holes. Insert Anchors and secure Paper Holder Shelf with Mounting Screws as shown.



SA-251 ROUGH-IN DIAGRAM

SPEAKMAN®



DIMENSIONS SUBJECT TO CHANGE WITHOUT NOTICE.