



XOU24WDZGOA
UNDERCOUNTER WINE COOLER
DUAL ZONE
GLASS OVERLAY



Height Adjusts
to Accommodate:
ADA Compliant Cabinetry
European Cabinetry
US Standard Cabinets
4" or 6" Toe Kick

Designed for use with a
framed glass overlay door.

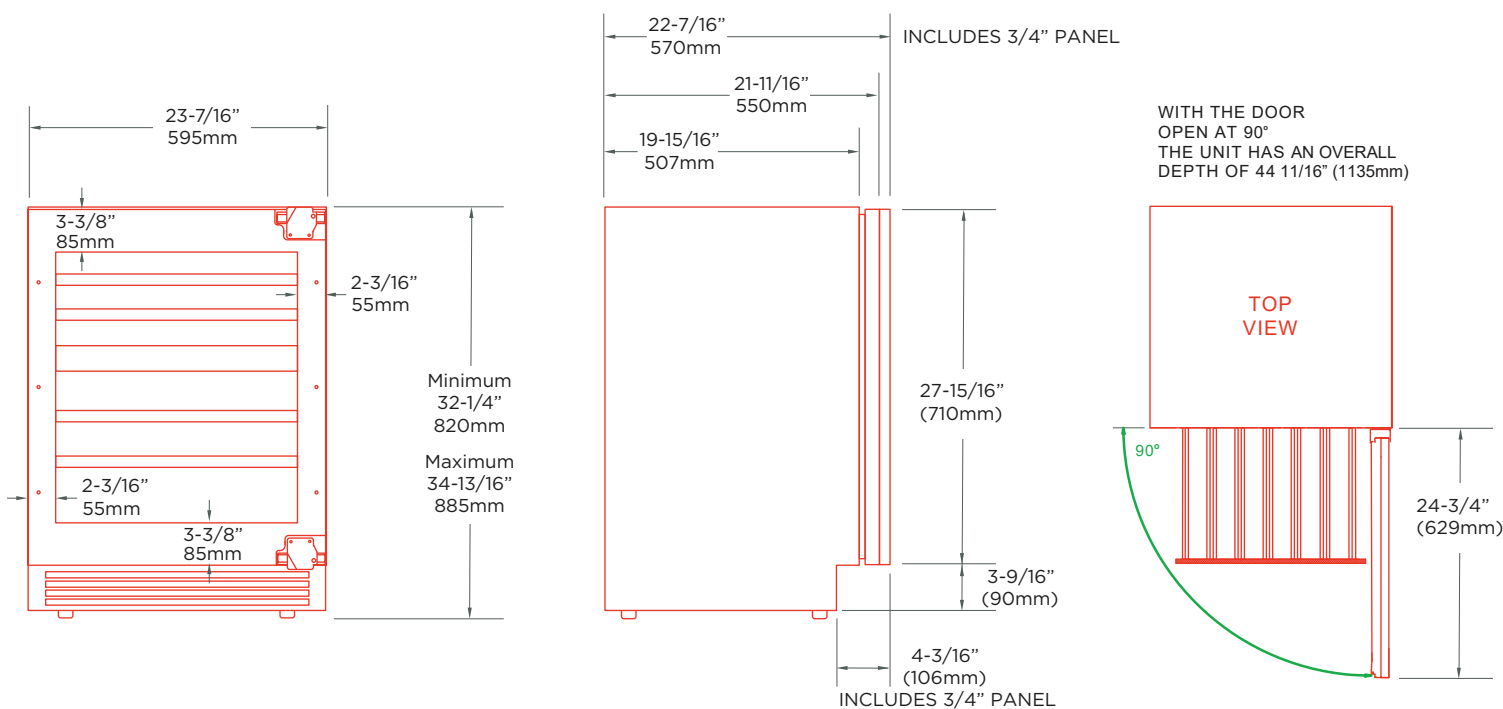
24" UNDERCOUNTER WINE COOLER with OVERLAY FRAME DOOR

The ALL PURPOSE UNIT. With soft closing, reversible articulated hinges - the GOA units provide a perfectly integrated look whether you are installing under ADA or Standard height counters, using American or European style cabinetry, and can accommodate a 3, 4 or 6 inch toekick.

The XO GOA system is truly your all purpose undercounter solution.

WORLD CLASS SERVICE | COMPREHENSIVE WARRANTIES
OUR LASTING COMMITMENT TO YOU





FEATURES

CAPACITY

Full extension smooth glide racks hold:
 (12) 750ml bottles upper section at 41° to 50° F
 (21) 750ml bottles lower section at 50° to 64° F

Articulated hinges for seamless integration

FEATURES

Soft closing, field reversible door

Library quiet 39 dBA operation

Elegant tri-color interior illumination

True seamless cabinet integration

Intuitive digital touch controls

6 1/2' power cord with low profile 90° flat plug

Low E Glass blocks harmful UV light

Alarm Functions

Energy Saver and Sabbath Mode

SPECIFICATIONS

ELECTRICAL 120V 60HZ 4.35 AMP*

DIMENSIONS H 32 1/4" min - 34 13/16" max
 W 23 7/16"
 D 21 11/16" (w/o finish panel)

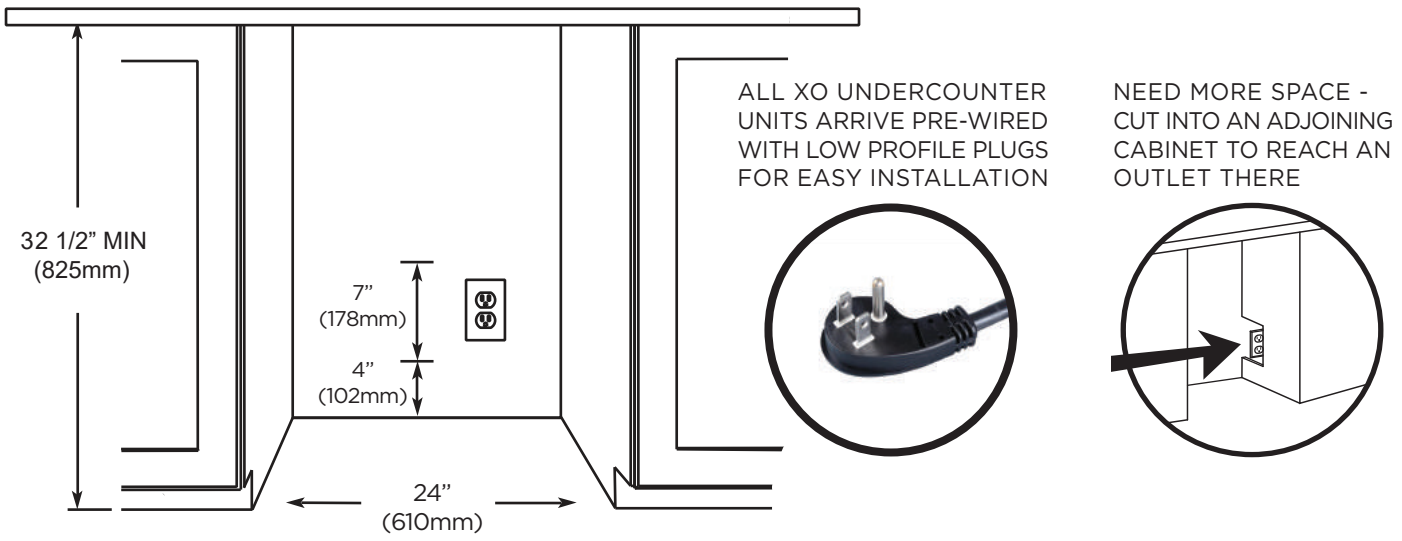
ROUGH IN H 32 1/2" min
 W 24"
 D 24"

REFRIGERANT R600A

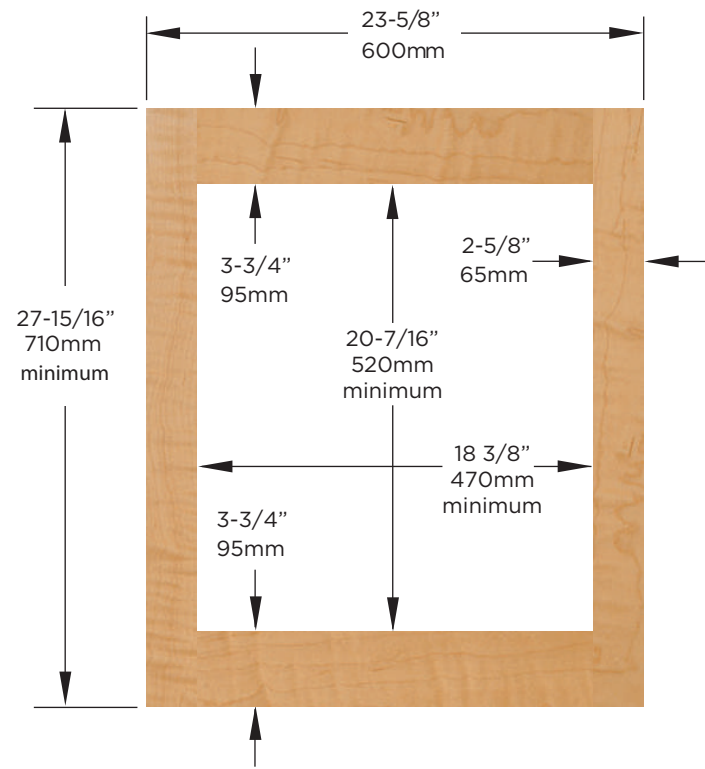
OPTIONAL ACCESSORIES SS Door Panel for ADA Installs
 (includes 2 different style handles)
 P/N: XOU24ADASG



ROUGH IN DIMENSIONS



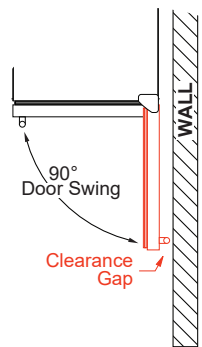
OVERLAY FRAME DIMENSIONS



To conceal door completely observe the frame dimensions as minimums.

You can extend panel height but the gap between the bottom of the door and the floor must be at least 3" for ventilation.

To reduce possibility of warping - overlay frame should be finished on all sides.



WHEN INSTALLING WITH THE HINGE SIDE NEXT TO A WALL - LEAVE ADEQUATE SPACE FOR CABINET HANDLES

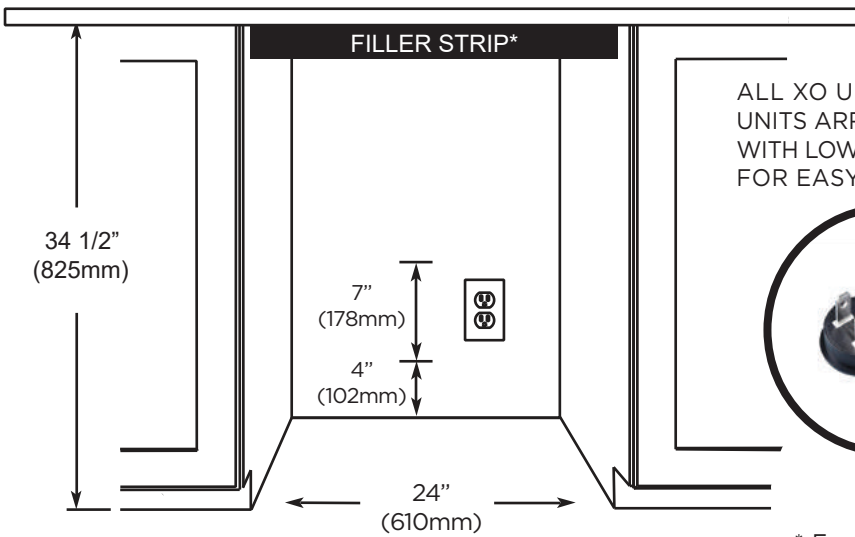
DOOR MUST BE ABLE TO OPEN A MINIMUM OF 90°.



THE DOOR STOP IS SET AT 110° BUT CAN BE RESET TO 90° OR 140°.

IF THE DOOR CANNOT OPEN FULLY YOU CANNOT EXTEND THE RACKS.

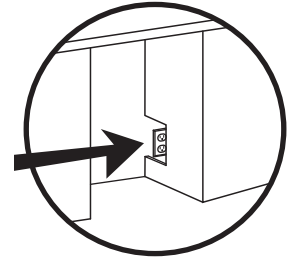
ROUGH IN DIMENSIONS



ALL XO UNDERCOUNTER UNITS ARRIVE PRE-WIRED WITH LOW PROFILE PLUGS FOR EASY INSTALLATION



NEED MORE SPACE - CUT INTO AN ADJOINING CABINET TO REACH AN OUTLET THERE



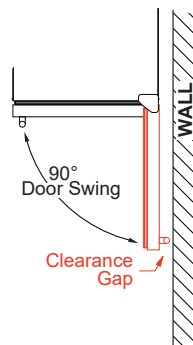
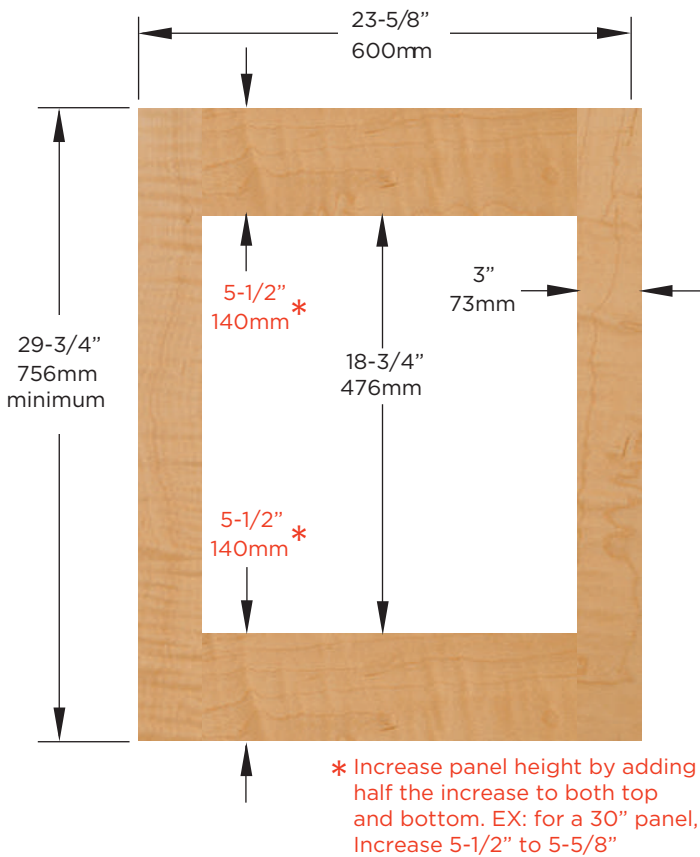
* For US cabinets, use a filler strip to close the gap above the unit behind the door (an ell bracket is included) For European cabinets with a 6" toekick, raise the unit by 2" using the leveling legs and install a custom plinth leaving an open space for ventilation (consult manual)

To conceal door completely observe the frame dimensions as minimums.

You can change panel height but the gap between the bottom of the door and the floor must be at least 3" for ventilation.

To reduce possibility of warping - overlay frame should be finished on all sides.

OVERLAY FRAME DIMENSIONS



WHEN INSTALLING WITH THE HINGE SIDE NEXT TO A WALL - LEAVE ADEQUATE SPACE FOR CABINET HANDLES

DOOR MUST BE ABLE TO OPEN A MINIMUM OF 90°.

THE DOOR STOP IS SET AT 110° BUT CAN BE RESET TO 90° OR 140°.

IF THE DOOR CANNOT OPEN FULLY YOU CANNOT EXTEND THE RACKS.