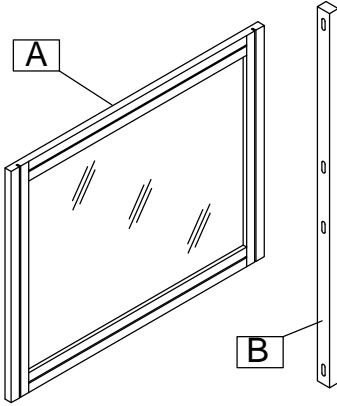


BATTEN DRESSER MIRROR ASSEMBLY INSTRUCTIONS



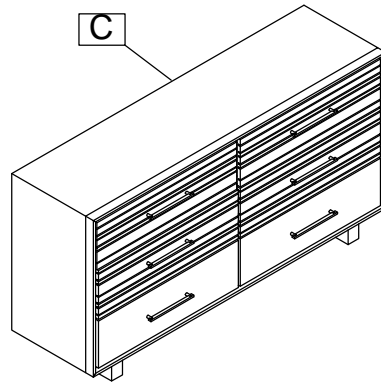
BOX #1

- A. DRESSER MIRROR 1 PC
- B. MIRROR SUPPORT 2 PCS
- * MIRROR HARDWARE PACK



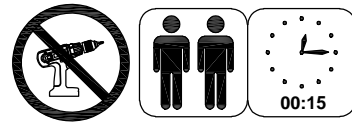
BOX #2

- C. DRESSER (SOLD SEPARATELY) 1PC



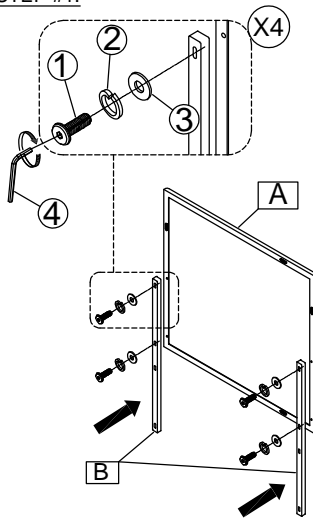
HARDWARE KIT PACKED IN BOX #1

No.	DESCRIPTION	IMAGE	QUANTITY
1	ALLEN BOLT (1/4"x50mm)		8 PCS
2	LOCK WASHER (5/16"x2mm)		8 PCS
3	FLAT WASHER (6x19mm)		8 PCS
4	ALLEN KEY		1 PC

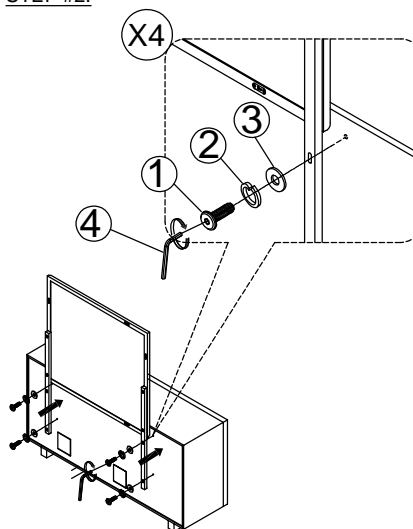


OPTION 1: DRESSER MOUNTING

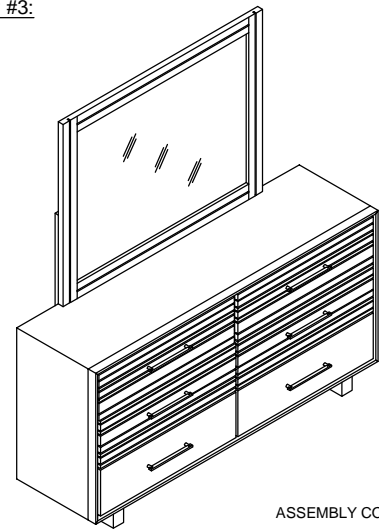
STEP #1:



STEP #2:

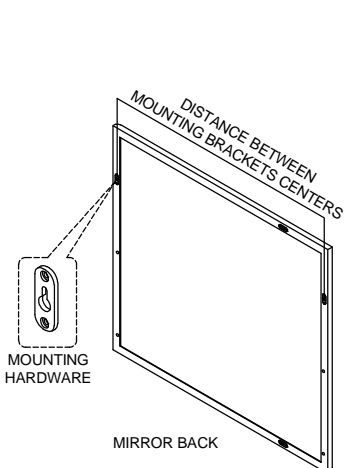


STEP #3:

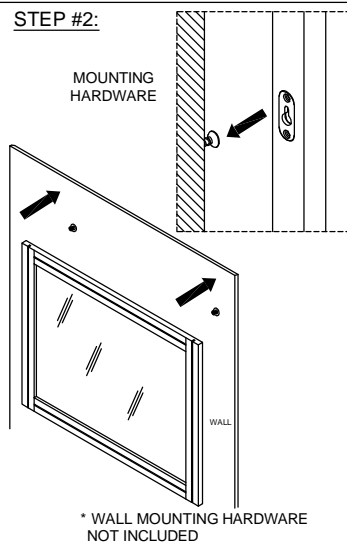


OPTION 2: WALL MOUNTING

STEP #1:



STEP #2:



STEP #3:

