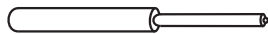


161-T3342 Adjustable Pub Table

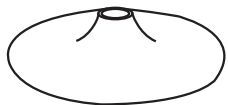
Parts Listing



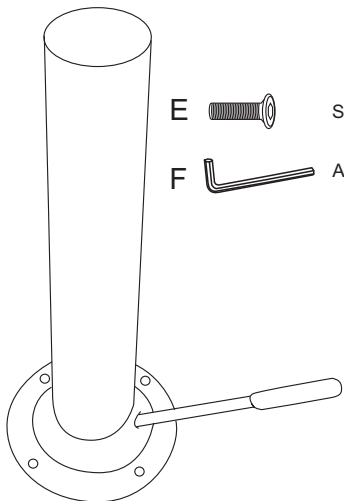
A Table Top



B Gas lift



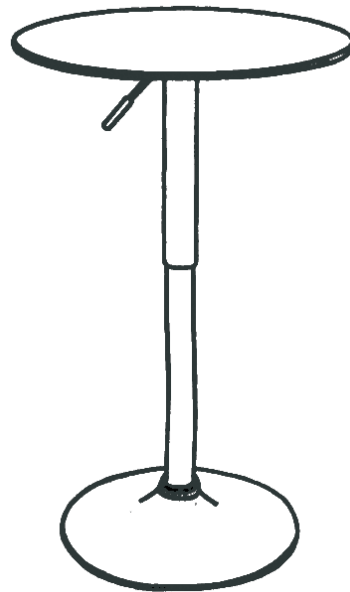
C Table Base



D Table support tube

E Screws 4 pcs

F Allen Wrench 1 pc



Assembly Instructions

STOP Two People Needed For Assembly
Please read all instructions before assembly.

Step 1: Place the table base (C) on a flat, clean surface. Insert it with gas lift (B).

Step 2: Place the table top (A) upside down on a flat, clean surface. Put the table support tube (D) on it and fix it with screws (E).

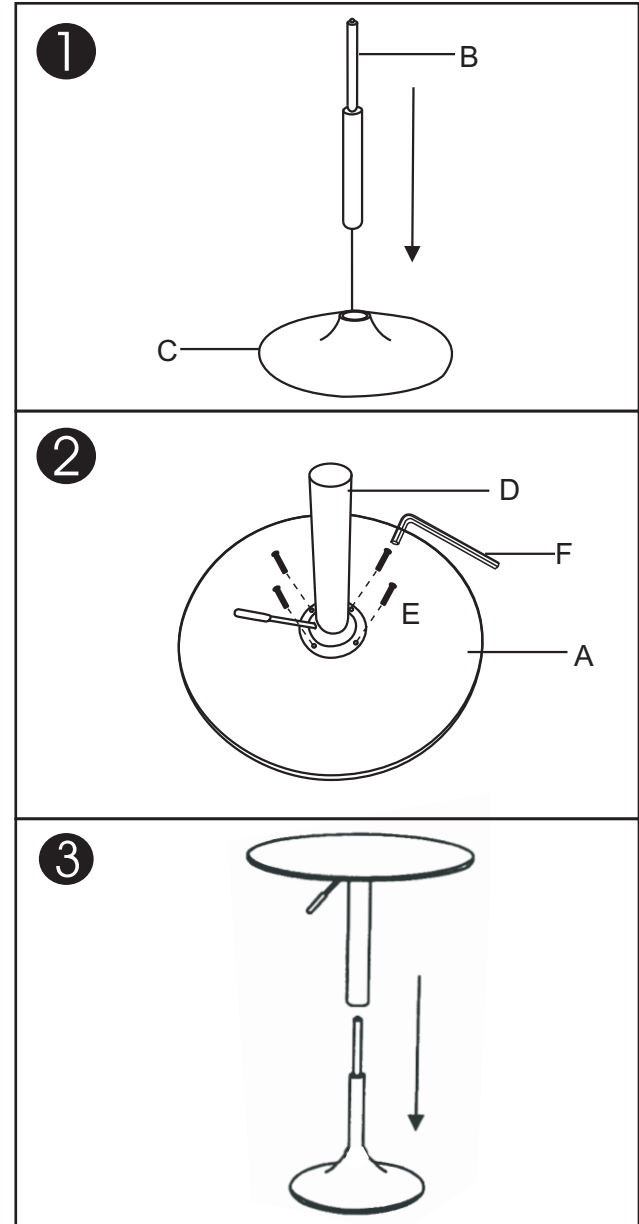
Step 3: Place the table base standing on a flat, clean surface. Put the table top with support tube together on the gas lift. Press the table top by strength to lead the table adjustable.

Assembly Notes:

During assembly, hand tighten screws only. When all screws are in place, you may then tighten all screws completely.

CAUTION:

1. Do not use this table as a step ladder.
2. Check for loose screws and tighten them every 6 months.



ofm

161 Tradition Trail, Holly Springs, NC 27540
800-520-7471 (voice) 919-362-4765 (fax)
919-303-6389 (voice) www.ofminc.com
support@ofminc.com