

For Residential and Commercial Applications

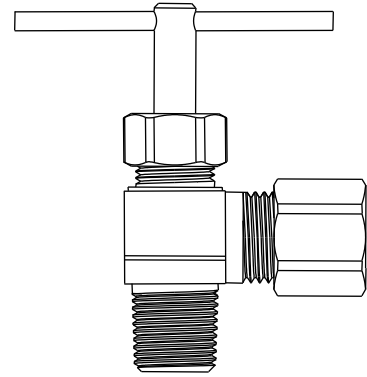
Job Name		Engineer / Architect	
Job Location		Wholesaler	
Submittal Date		Contractor	

NV104 Series Humidifier Angle Valve - Compression x Male Iron Pipe

Use: Use with automotive and industrial applications for instrumentation, hydraulic, and pneumatic systems. Not intended for use with natural gas, LPG (liquefied petroleum gas or propane), nuclear, or avionic (aircraft) applications.

Design Features:

- **Positive sealing and flow adjustment** up to the capacity of the valve
- **Metal-to-metal seats** with a fine thread engagement
-



Operating Specifications:

Temperature: -65° to 250° F
Water Applications 40° to 140° F
 115° F maximum continuous use temperature
Working Pressure: Up to 150 PSI

Standard Product

MATERIAL SPECIFICATIONS	
Body	Brass
Stem	Brass
Handle	Steel
Nut	Brass
Washer	Rubber
Compression Ring	Brass

Low-lead Product

MATERIAL SPECIFICATIONS	
Body	Low-lead brass
Stem	Low-lead brass
Handle	Steel
Nut	Brass
Washer	Rubber
Compression Ring	Brass

Standard Part Listing:

- NV104-4-4 1/4" OD compression x 1/4" MIP
- NV104-5-2 5/16" OD compression x 1/8" MIP
- NV104-6-4 3/8" OD compression x 1/4" MIP
- NV104-6-4 B 3/8" OD compression x 1/4" MIP, bulk

Low-lead Part Listing:

- NV104-5-2X 5/16" OD compression x 1/8" MIP

This specification and all information contained herein is the confidential and exclusive property of Brasscraft Manufacturing Company and shall not be disclosed to others without the written consent of Brasscraft Mfg. Co. This specification must be returned to Brasscraft Mfg. Co. if requested.

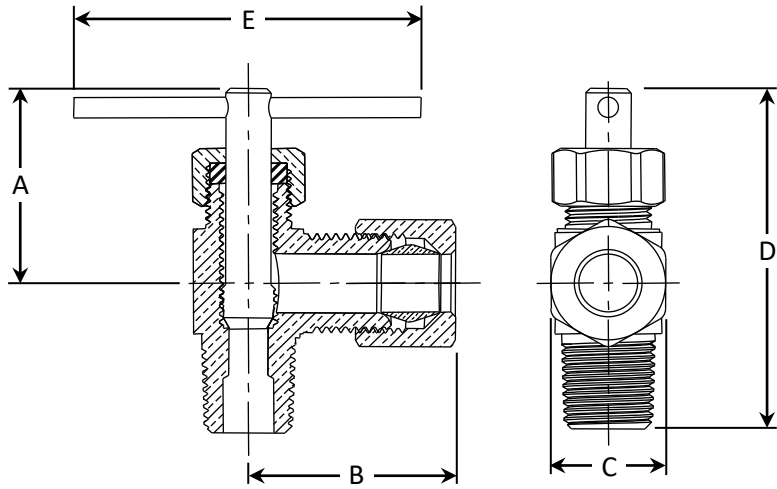
NV104 Series Humidifier Angle Valve - Compression x Male Iron Pipe

Standard Product

PART DIMENSIONS (Inches)						
Model	Straight Thread	DIM. A	DIM. B	HEX. C	DIM. D	DIM. E
		Open				
NV104-4-4	7/16-20	.95	.68	.75	1.80	1.50
NV104-5-2	1/2-20	.95	.63	.68	1.63	1.50
NV104-6-4	5/8-18	.95	.78	.81	1.64	1.50

Low-lead Product

PART DIMENSIONS (Inches)						
Model	Straight Thread	DIM. A	DIM. B	HEX. C	DIM. D	DIM. E
		Open				
NV104-5-2X	1/2-20	.95	.63	.44	1.55	1.50



This specification and all information contained herein is the confidential and exclusive property of Brasscraft Manufacturing Company and shall not be disclosed to others without the written consent of Brasscraft Mfg. Co. This specification must be returned to Brasscraft Mfg. Co. if requested.