

Catalog Number	
Notes	Type

FEATURES & SPECIFICATIONS

INTENDED USE

The OnePass Circuit Selector (OCS), Cord Unselectable (OCU), and Drop Cable (OD) are plug-in connections for industrial fixtures. The OD, OCU and OCS can be prewired by fixture manufacturer or field installed. In addition to industrial applications, the OD also allows miscellaneous devices such as exits, emergency units, convenience power, access floor systems and commercial lighting applications to become part of the OnePass system to be field installed by the contractor.

The OCU should be used when applications require:

- 5 conductors are required to drop to lighting fixtures.
- A "TAP22N" or "TAP122N" option is required to drop to lighting fixture.
- A "TAP34" is required for circuit two in a 208V, 240V or 480V 2 circuit design.

ELECTRICAL

- Rated for use on 20-amp branch circuits.
- 18 AWG rubberized cord rated for 600V, 105°C temperature containing a fully rated ground conductor.
- The OCS molded circuit identifier denotes position of each conductor.
- Safety-keying prevents accidental mating of components with different voltages.
- The OD conductors are 12AWG and 18AWG copper conductors with -20°C to +90°C thermoplastic insulation rated 600V.
- C12S option includes three 12AWG or 18AWG conductors and two 18AWG shielded conductors for controls wiring. (-20°C to +90°C)

SYSTEM FEATURES

- Pin and socket contacts.
- Color-coded labels for quick voltage identification.
- EXT option enables OD's to be installed in hot and cold applications (-40° to 90°C). Type of insulation for EXT option is based on NEC Table 310.104(A).
- Dust Cover available for unused ports: RDC3 METAL DUST COVER CSA/UL J50 (available job pack of 50 only).
- Low voltage cable plenum rated.

LISTINGS

- C-UL-US listed for indoor, dry, and accessible locations.
- Meets or exceed all the requirements of UL183 and NEC (NFPA70) Article 604 for manufactured wiring systems.
- C12S option meets NEC requirements for separation of Class 2 and Class 3 circuits from Class 1 circuits by a barrier as defined by Article 725.136(B).
- Canadian Patent No. 2,845,603 (Class I, Class II).
- Meets NEC requirements for redundant ground paths for patient care areas in healthcare facilities (HCF option).

BUY AMERICAN ACT

This product is assembled in the USA and meets the Buy America(n) government procurement requirements under FAR, DFARS and DOT regulations.

Please refer to www.acuitybrands.com/resources/buy-american for additional information.

WARRANTY

5-year limited warranty. This is the only warranty provided and no other statements in this specification sheet create any warranty of any kind. All other express and implied warranties are disclaimed. Complete warranty terms located at: www.acuitybrands.com/support/warranty/terms-and-conditions

Note: Actual performance may differ as a result of end-user environment and application. Specifications subject to change without notice.

OnePass® System Drops



OCS
Circuit Selector



OCU
Cord Unselectable



OD
Drop Cable

Examples	Ships Separately (Field Installation)	Ships Attached (Factory Installation)	Fixture w/o RELOC	Fixture with RELOC
	OCS 277	OCS	IBZ 454L GEB10PS90	IBZ 454L 277 GEB10PS90 OCS
OCS 120 18/3G 10	OCS4C10	IBZ 454L GEB10PS90	IBZ 454L 120 GEB10PS90 EL14 OCS4C10	

ORDERING INFORMATION

For shortest lead times configure product using **bolded options**.

Example: OCS 120 18/3G 10

Series	Voltage	Conductors	Length	Modular Plug	Connector Type‡	Device Color
OCS‡	120 120V‡	For 120, 277 and 347 Volts	(blank) 6ft.	RRL RELOC®-ready luminaires ‡	(blank) Not required	(blank) White
	208 208V	(blank) Three 18 AWG conductors, including ground	10 10ft.		L515 120V - NEMA L5 - 15R	
	240 240V	18/3G Four 18 AWG conductors, including ground‡	15 15ft.		L520 120V - NEMA L5 - 20R	
	277 277V‡	For 208, 240 and 480 Volts‡	20 20ft.		L715 277V - NEMA L7 - 15R	
	347 347V‡	(blank) Four 18 AWG conductors, including ground	25 25ft.		L720 277V - NEMA L7 - 20R	
	480 480V		30 30ft.		L615 208V - NEMA L6 - 15R	
			35 35ft.		L620 208V - NEMA L6 - 20R	
			40 40ft.		L820 480V - NEMA L8 - 20R	
			45 45ft.			
			50 50ft.			

‡ Option Value Ordering Restrictions & Notes

Option value	Restriction
120, 277, 347	For 2 neutral applications, order OCU with TAP22N to tap the second hot and neutral.
18/3G	When ordered with 120 or 277 or 347 volts, two selector switches will be provided for selection of any 2 of the 3 tap positions available.
Connector Type	NEMA receptacles available with three 18AWG conductors only.
For 208, 240 and 480 Volts	Single circuit or 3 phase applications with 208 or 240 or 480 volts have two selector switches for selecting any 2 of the 3 tap positions. For two circuit 208 or 240 or 480 volt applications, order OCU with TAP34 to tap the second circuit.
OCS	For ordering attached to an Acuity Brands lighting fixture, simply move the voltage before the ballast description and remove all other spaces from the OCS catalog number (see examples above).
RRL	For use with fixtures. Fixture must have RRL and wiring instruction installed to use this option. See fixture spec sheet for details and availability. See RRL spec sheet for connector details.

Examples	Ships Separately (Field Installation)	Ships Attached (Factory Installation)	Fixture w/o RELOC	Fixture with RELOC
	OCU 277 TAP122N 15	OCU122N15	IBZ 454L GEB10PS90	IBZ 454L 277 GEB10PS90 OCU122N15
	OCU 480 TAP34 BK	OCU34BK	IBZ 454L HVOLT GEB10PS90	IBZ 454L 480 GEB10PS90 OCU34BK

ORDERING INFORMATION

 For shortest lead times configure product using **bolded options**.

Example: OCU 277 TAPG1N 15 C12S

Series	Voltage	Tap Position ‡	Length	Modular Plug	Plug Type	Controls Wiring	Device Color		
OCU ‡	120 120V	For 120, 277 and 347 Volts ‡	(blank) 6ft.	RRL RELOC [®] -ready luminaires ‡	(blank) Not required	(blank) Not required	(blank) White		
	208 208V	TAPG1N 1 hot, with ground and neutral ‡	10 10ft.					L615 208V - NEMA L6 - 15R ⁹	C12S Integrated CI, CII rated line voltage and signal wires
	240 240V	TAP22N 1 hot, Tap position 2 with second neutral only ‡	15 15ft.					L620 208V - NEMA L6 - 20R ⁹	
	277 277V	TAP122N 2 hots, Tap position 1 and 2 with first and second neutrals ‡	20 20ft.					L820 480V - NEMA L8 - 20R ⁹	
	347 347V ²	TAP123 3 hots, Tap positions 1, 2, 3	25 25ft.						
	480 480V	TAP1234 4 hots, Tap positions 1, 2, 3 & 4	30 30ft.						
		For 208, 240 and 480 Volts	35 35ft.						
		TAPG12 2 hot, with ground ‡	40 40ft.						
		TAP12 2 hots, Tap positions 1 & 2	45 45ft.						
		TAP34 2 hots, Tap positions 3 & 4	50 50ft.						
		TAP1234 4 hots, Tap positions 1, 2, 3 & 4							

‡ Option Value Ordering Restrictions & Notes

Option value	Restriction
For 120, 277 and 347 Volts	To match existing OCU with TAP1, TAP2, TAP3, TAP12, TAP13, TAP23 refer to OCS ordering information for Three 18 AWG conductors.
L615, L620, L820	208V and 480V NEMA plugs available with TAP12 and TAP34. Other configurations, such as 3-phase 208, 240 and 480V circuits are available with OCS. 120V & 277V NEMA plugs available with OCS.
OCU	For ordering attached to an Acuity Brands lighting fixture, simply move the voltage before the ballast description and remove all other spaces from the OCU catalog number (see examples above). Order OCU instead of OCS when one of these three conditions arise: five conductors are required to drop to the fixture, a second neutral is required in the fixture, or hot conductors in position 3 and 4 need to be tapped (The second circuit in a 208, 240, or 480 volt application).
RRL	If RRL selected, fixture must have RRL and wiring instruction. See fixture spec sheet for details. See RRL spec sheet for connector details.
Tap Position	Tap position indicates the hot conductors pin position. See wire color charts on page 5.
TAP12	Available with C12S option and 208 or 240 or 480 volts.
TAP22N, TAP122N	Each configuration of TAP22N and TAP122N requires "12/4G 2N" or "10/4G 2N" OnePass [®] components to complete the two neutral system.
TAPG1N	Available with C12S and 120 or 277 or 347 volts.

ORDERING INFORMATION

For shortest lead times configure product using **bolded options**.

Example: OD 277 12/4G 15

Series	Voltage	Conductors	Length	Modular Plug
OD	120 120V	12/2G Three 12 AWG conductors, including one 12 AWG ground	12/4G Five 12 AWG conductors, including one 12 AWG ground	01 ft up to 50 ft (blank) Not required RRL RELOC®-ready luminaires ‡
	208 208V	12/3G Four 12 AWG conductors, including one 12 AWG ground	18/2G Three 18 AWG conductors, including one 18 AWG ground ‡	
	240 240V		18/3G Four 18 AWG conductors, including one 18 AWG ground ‡	
	277 277V		18/4G Five 18 AWG conductors, including one 18 AWG ground ‡	
	347 347V			
480 480V				

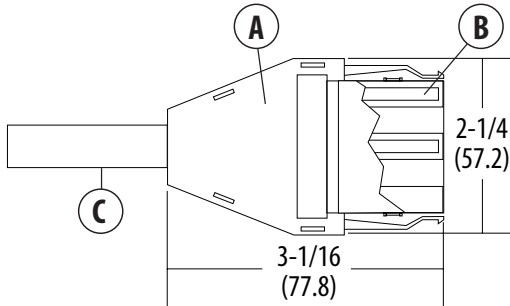
Controls Wiring	Options	Device Color
(blank) Not required	(blank) Not required	(blank) Not required
C12S Integrated C1, CII rated line voltage and signal wires ‡	2N Two circuit, two neutral ‡	RD Red ‡
	EXT Extreme temperature rating conductors ‡	
	HCF Meets healthcare facility requirements ‡	
	IGW Isolated ground wire ‡	
	CSA Required when ordered for Canada ‡	

‡ Option Value Ordering Restrictions & Notes	
Option value	Restriction
18/2G, 18/3G, 18/4G	Available in lengths up to 10ft only. For longer lengths please select an alternative gauge wiring option.
2N	Available with 120 or 277 or 347 volts and 10/4G or 12/4G or 18/4G conductors only.
C12S	Available with 12/G or 18/2G conductors only.
CSA	Product label for fixture drops must state: "Not for interruption of current" when ordered for Canada.
EXT	Required for EXTREME hot and cold temperature applications (-40° to 90°C). Not available with 10/4G or 12/4G or 18/2G or 18/3G or 18/4G conductors.
HCF	Available with 12/4G conductors only. Not available with C12S controls wiring.
IGW	Available with 120 volts and 12/3G or 12/4G conductors only in lengths up to 35ft.
RD	Non-plenum rated. Available up to 35ft only.
RRL	Available with 18 gauge conductors only. For use with fixtures. Fixture must have RRL and wiring instruction installed to use this option. See fixture spec sheet for details and availability. See RRL spec sheet for connector details.

DIMENSIONS

Dimensions are shown in inches (millimeters)

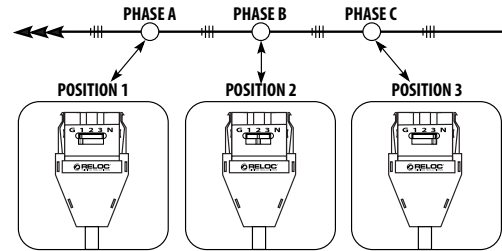
OCS - Circuit Selector



- A – Injection molded, high-impact polymeric compound enclosure
- B – Tin-plated, brass contacts
- C – Rubberized cord with 18 AWG conductors, rated at 600V, 105°C and containing a fully rated ground conductor

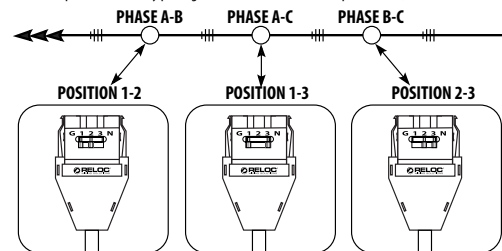
OCS Application for 120V, 277V and 347V Systems

A 3-phase run from a hardwire drawing is shown below. The three OCS connector views show how fixtures can be energized alternating between the phases on a run by placing the OCS selector switch into position 1, 2 or 3.



OCS Application for 208, 240, 480 and 18/3G Option for 120V, 277V and 347V Systems

A 3-phase run from a hardwire drawing is shown below. The three OCS connector views show how fixtures can be energized alternating between the three phases on a run by placing the OCS selector switch into position 1-2, 1-3 or 2-3.

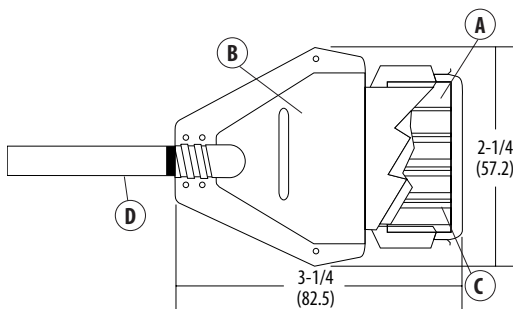


Note: OCS cannot be used for the second circuit (tap 34) in a 208/240/480V application. See OCU.

DIMENSIONS

Dimensions are shown in inches (millimeters)

OCU - Circuit Unselectable



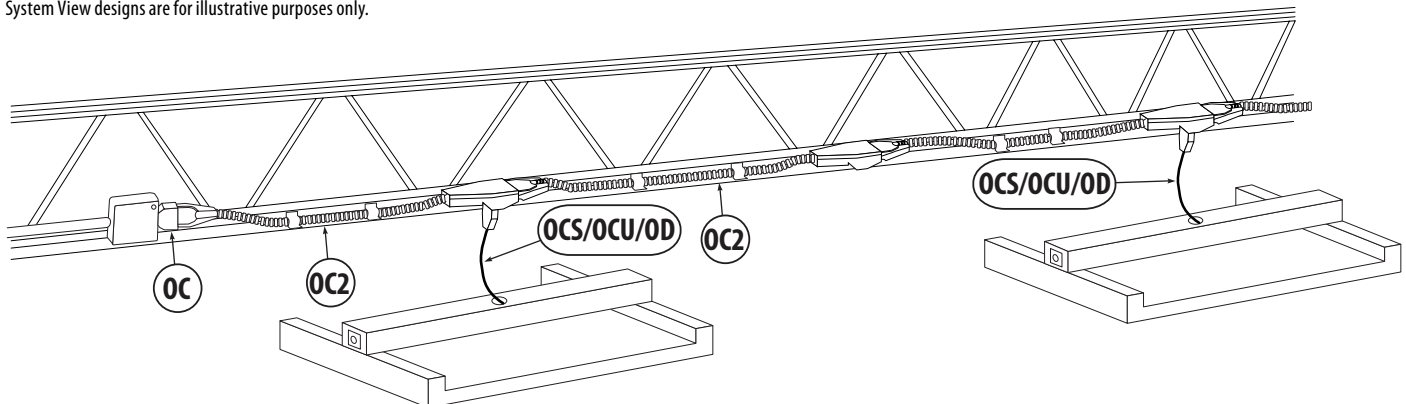
- A – Connector body
- B – 18-gauge galvanized steel cover, zinc alloyed casting
- C – Tin-plated, brass contacts
- D – Rubberized cord with No. 18 AWG.

OCS and OCU Wire Color Chart

OCS Cord 120V, 277V, 347V Standard Wire Colors					
Position	1	2	3	4	5
Conductor	Ground	Hot #1	Hot #2	Hot #3	Neutral #1
277V	Green	Black			White
277V (18/3G)	Green	Black/Red			White
120V/347V (18/3G)	Green	Black/Red			White
OCS Cord 208V, 240V, 480V Standard Wire Colors					
Position	1	2	3	4	5
Conductor	Ground	Hot #1	Hot #2	Hot #3	Hot #4
208V/240V/480V	Green	Black/ Red			
OCU Cord 120V, 277V, 347V Standard Wire Colors					
Position	1	2	3	4	5
Conductor	Ground	TAP1 (Hot #1)	TAP2 (Hot #2)	TAP3 (Hot #3)	Neutral #1
TAP123	Green	Black	Red	Orange	White
OCU Cord 208V, 240V, 480V Standard Wire Colors					
Position	1	2	3	4	5
Conductor	Ground	TAP1 (Hot #1)	TAP2 (Hot #2)	TAP3 (Hot #3)	TAP4 (Hot #4)
TAP12	Green	Black	White		
TAP34	Green			Black	White
TAP1234	Green	Black	Red	Orange	White
OCU Cord 120V, 277V, 347V Two Circuit, Two Neutral (2N option)					
Position	1	2	3	4	5
Conductor	Ground	TAP1 (Hot #1)	TAP2 (Hot #2)	Neutral #2	Neutral #1
TAP22N	Green		Black	White	
TAP122N	Green	Black	Red	Orange	White
OCU Cord 120V, 277V, 347V Class I, Class II (C12S option)					
Position	1	2	3	4	5
Conductor	Hot #1	Neutral #1	Ground	Data #1	Data #2
277V (TAPG1N)	Brown	Gray	Green	Violet	Pink (or Gray)
120V/347V (TAPG1N)	Black	White	Green	Violet	Pink (or Gray)
OCU Cord 208V, 240V, 480V Class I, Class II (C12S option)					
Position	1	2	3	4	5
Conductor	Hot #1	Neutral #1	Ground	Data #1	Data #2
208V/240V (TAPG12)	Brown	Orange	Green	Violet	Pink (or Gray)
480V (TAPG12)	Brown	Orange	Green	Violet	Pink (or Gray)

SYSTEM VIEW

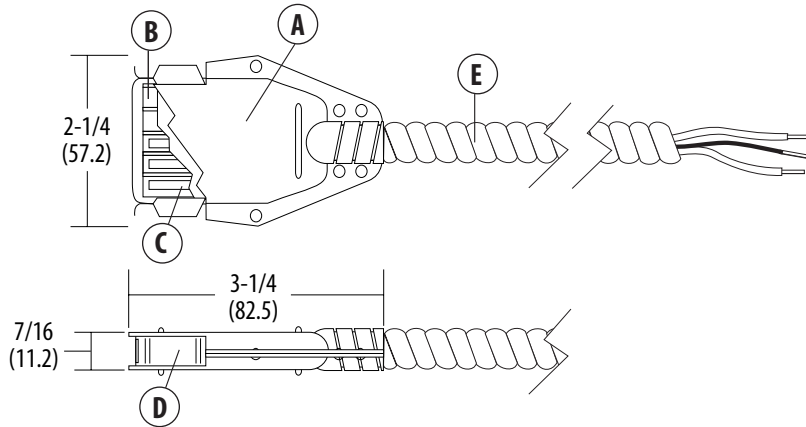
System View designs are for illustrative purposes only.



DIMENSIONS

Dimensions are shown in inches (millimeters)

OD - Drop Cable



- A – 18-gauge galvanized steel cover, zinc alloyed casting
- B – Connector body
- C – Tin-plated, brass contacts
- D – .015" spring steel latches
- E – MC Cable standard. HCF MC, C12S MC optional. IGW option standard with FMC.

OD Wire Color Chart

OD Drop Cable 120V, 277V, 347V Standard Wire Colors					
Position	1	2	3	4	5
Conductor	Ground	Hot #1	Hot #2	Hot #3	Neutral #1
277V	Bare or Green	Brown	Orange	Yellow	Gray
120V/347V	Bare or Green	Black	Red	Blue	White
OD Drop Cable 208V, 240V, 480V Standard Wire Colors					
Position	1	2	3	4	5
Conductor	Ground	Hot #1	Hot #2	Hot #3	Hot #4
480V	Bare or Green	Brown	Orange	Yellow	Violet
208V & 240V	Bare or Green	Black	Red	Blue	Violet
OD Drop Cable 120V, 277V, 347V Two Circuit, Two Neutral (2N option)					
Position	1	2	3	4	5
Conductor	Ground	Hot #1	Hot #2	Neutral #2	Neutral #1
277V	Bare or Green	Brown	Orange	White	Gray
120V & 347V	Bare or Green	Black	Red	Gray	White

OD Cable 120V, 277V, 347V Class I, Class II (C12S option)					
Position	1	2	1	4	5
Conductor	Hot #1	Neutral #1	Ground	Data #1	Data #2
120V & 347V	Black	White	Bare or Green	Violet	Pink (or Gray)
277V	Brown	Gray	Bare or Green	Violet	Pink (or Gray)
OD Cable 208V, 240V, 480V Class I, Class II (C12S option)					
Position	1	2	3	4	5
Conductor	Ground	Hot #1	Hot #2	Neutral #2	Neutral #1
208V & 240V	Brown	Orange	Bare or Green	Violet	Pink (or Gray)
480V	Brown	Orange	Bare or Green	Violet	Pink (or Gray)