



Wescott®

17" oval undermount bathroom sink
442040

Features

- No faucet holes; requires wall- or counter-mount faucet
- Center drain and overflow

Material

- Grade A vitreous china with a hard, glossy finish

Installation

- Undermount

Recommended Products/Accessories

- K-8998 P-Trap
- K-23726 Drain treatment
- K-23725 Cast iron cleaner

Included Components

- 52047 Clamp Accessory Pack, 4 Ea.



ADA

Codes/Standards

ASME A112.19.2/CSA B45.1
ADA
ICC/ANSI A117.1
IAPMO Certification


STERLING® Vitreous China Bathroom Sinks Five-Year Limited Warranty

See website for detailed warranty information.

Available Colors/Finishes

Color tiles intended for reference only.

Color Code Description

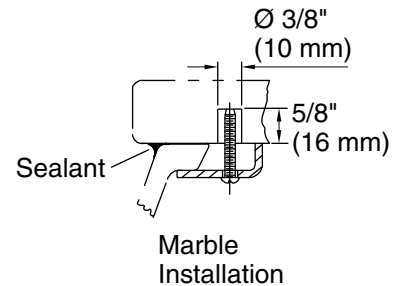
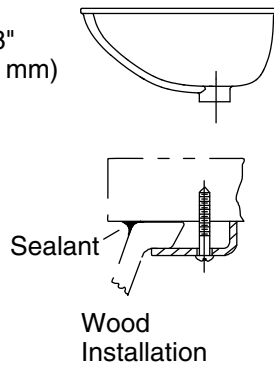
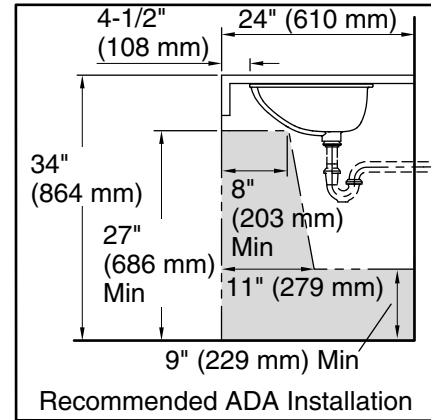
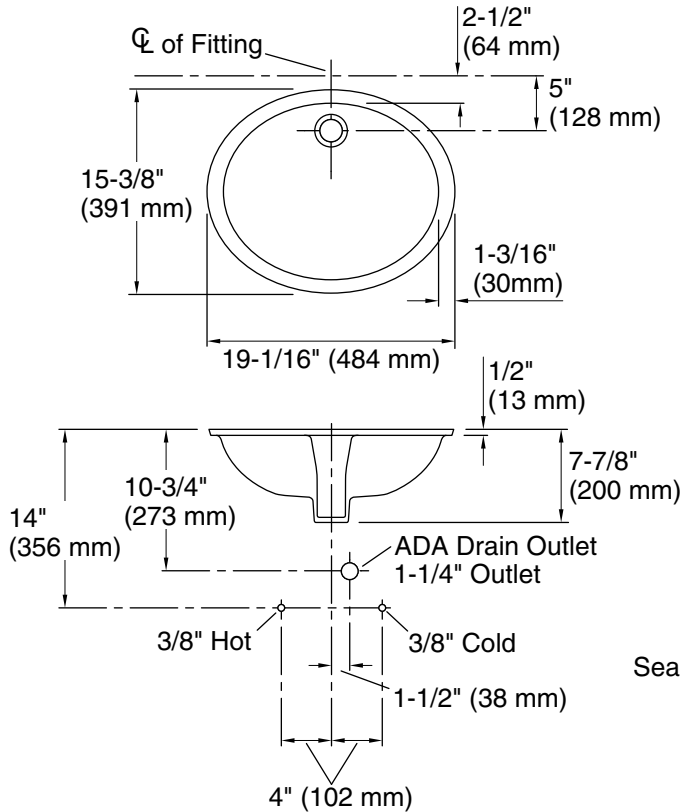
	0	White
---	---	-------

1-800-STERLING (1-800-783-7546)

Kohler Co. reserves the right to make revisions without notice to product specifications.

For the most current Specification Sheet, go to www.sterlingplumbing.com.

11-2-2024 00:18 - US/CA



Technical Information

All product dimensions are nominal.
 Basin configuration: Single Bowl
 Bowl area (Only): Length: 16-15/16" (430 mm)
 Width: 13-3/16" (335 mm)
 Bowl depth: 5-7/8" (149 mm)
 Water depth: 4" (102 mm)
 With overflow: Yes
 Drain hole: 1-3/4" (44 mm)
 Template: 1034559-7, required, included

Notes

Install this product according to the installation instructions.
 Measure your actual product for roughing-in details.
 ADA compliant when installed to the specific requirements of these regulations.