

This document, including the design, configuration and mechanical features revealed herein are the sole, confidential and proprietary property of Tru-Connector Corporation. Reproduction or use thereof, in whole or part, is prohibited without the prior written consent of Tru-Connector Corporation.

REV	DESCRIPTION	DATE	APPROVAL
/	ORIGINAL ISSUE	3/12/96	RMK
A	CHANGED PER ECO 2449	11/14/03	DA

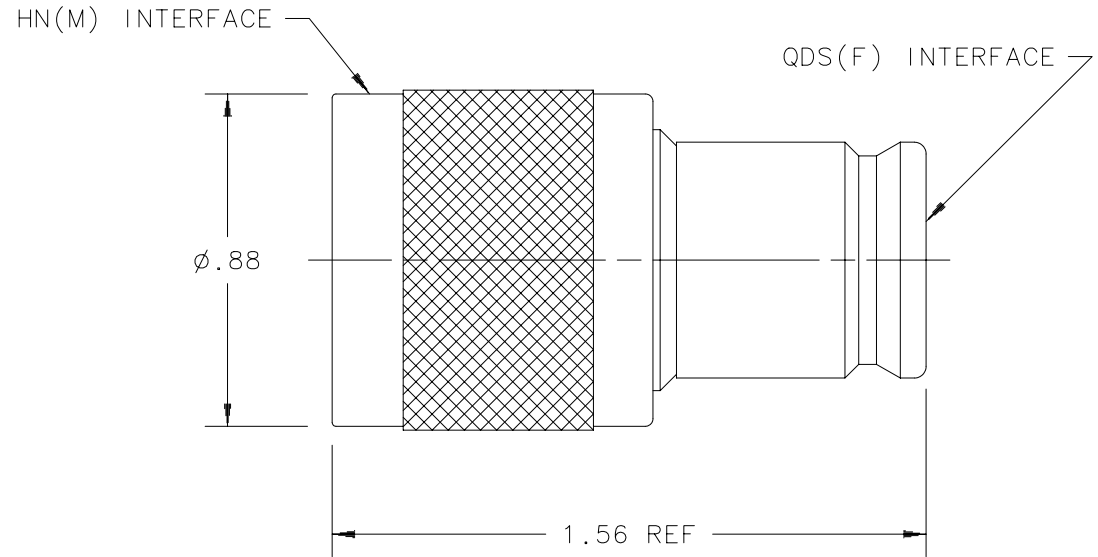
ENGINEERING DATA


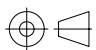
MATERIAL:

INSULATORS: TEFLON
 GASKET: SILICONE RUBBER
 FEMALE CONTACT: BERYLLIUM COPPER
 OTHER METAL PARTS: BRASS

FINISH:

CONTACTS: SILVER PLATED
 OTHER METAL PARTS: NICKEL PLATED



Material:	UNLESS OTHERWISE SPECIFIED: DIMENSIONS ARE IN INCHES CHAMFER FIRST THREAD 45° DIMENSIONS BEFORE PLATING TOLERANCES: FRACTIONS: ±1/64 .XX : ±.01 .XXX: ±.005 ANGLES: ±1/2° MACHINED SURFACES 63 ✓	DRAWN BY Warren Whitten	DATE 3/12/96	 TRU-CONNECTOR CORPORATION 245 LYNNFIELD STREET PEABODY, MASSACHUSETTS	
		ENG APPROVAL Koch	DATE 3/12/96		
		MFG APPROVAL	DATE	TITLE	
		OTHER APPROVAL	DATE	CONNECTOR, COAXIAL, RF HN(m) to QDS(f) ADAPTER, STRAIGHT	
THIRD ANGLE PROJECTION 	REFERENCE	SIZE A	CAGE CODE 92180	DWG NO. TRU-0434SN	REV A
CAD FILE: BETWEEN SERIES ADAPTER/STRAIGHT			SCALE 2X	SHEET 1 of 1	