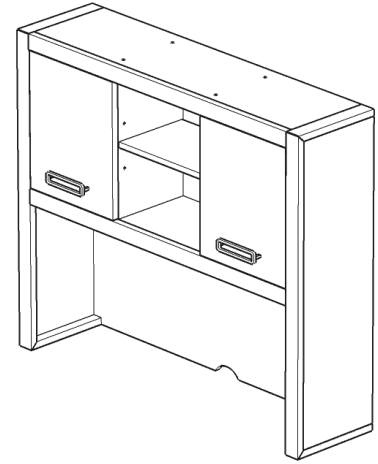


# Hutch



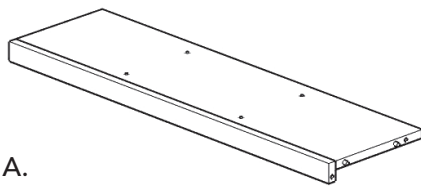
## IMPORTANT

Carefully remove all the parts from the carton and place them individually on a soft cloth to prevent scratches or other damage.

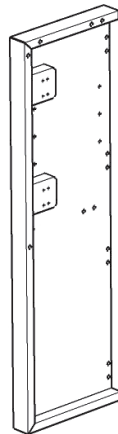
Carefully and strictly follow these assembly instructions to ensure a completed product as designed.

Do not use power tools above 8 volts to assemble.

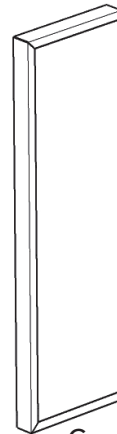
## Part List



A.  
Top  
1 pc.



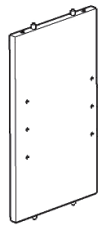
B.  
Side Panel  
1 pc.



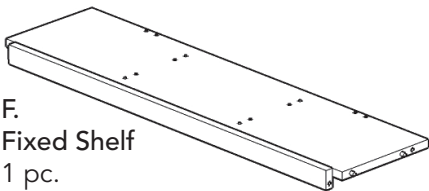
C.  
Side Panel  
1 pc.



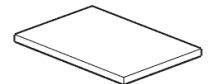
D.  
Middle Panel  
1 pc.



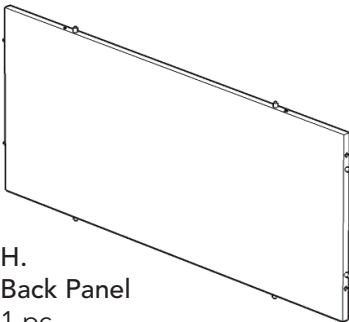
E.  
Middle Panel  
1 pc.



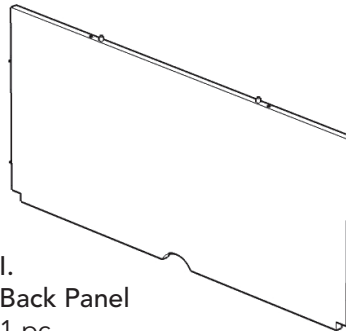
F.  
Fixed Shelf  
1 pc.



G.  
Shelf  
3 pcs.



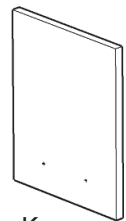
H.  
Back Panel  
1 pc.



I.  
Back Panel  
1 pc.



J.  
Door  
1 pc.



K.  
Door  
1 pc.

## Hardware List



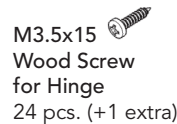
Hex Wrench  
1 pc.



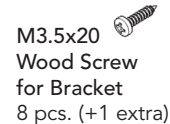
M6x35  
Head Cap Bolt  
8 pcs. (+1 extra)



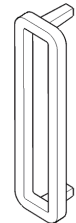
Adjustable Pin  
12 pcs. (+1 extra)



M3.5x15  
Wood Screw  
for Hinge  
24 pcs. (+1 extra)



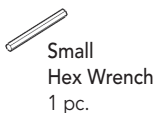
M3.5x20  
Wood Screw  
for Bracket  
8 pcs. (+1 extra)



Handle  
2 pcs.



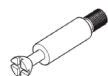
Bracket  
2 pcs.



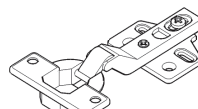
Small  
Hex Wrench  
1 pc.



Cam Lock  
22 pcs. (+4 extra)



Cam Lock Screw  
22 pcs. (+2 extra)



Hinge  
4 pcs.



M4x25  
Machine Screw  
4 pcs.

Tool(s) required for assembly: Phillips screwdriver, Level, Drill (8 volts or less), 3/8" Drill Bit

Home Styles Customer Service: [www.homestyles-furniture.com](http://www.homestyles-furniture.com),  
[servicedesk@homestyles-furniture.com](mailto:servicedesk@homestyles-furniture.com), 888-680-7460, 877-831-0319

## Assembly Instructions 2/8

### IMPORTANT

- Use a soft cloth between these parts and the floor.
- Do not use power tools above 8 volts to assemble.
- Do not tighten all the screws until each part is properly assembled.
- The unit must be level to work properly. Use the included adjustable levelers to level.
- Keep Hex Wrench as the bolts may need to be tightened in the future.

### STEP 1

Insert Cam Lock Screws into pre-drilled holes in Top (A), Side Panels (B), (C), and Fixed Shelf (F), then tighten. (See Figure 1)

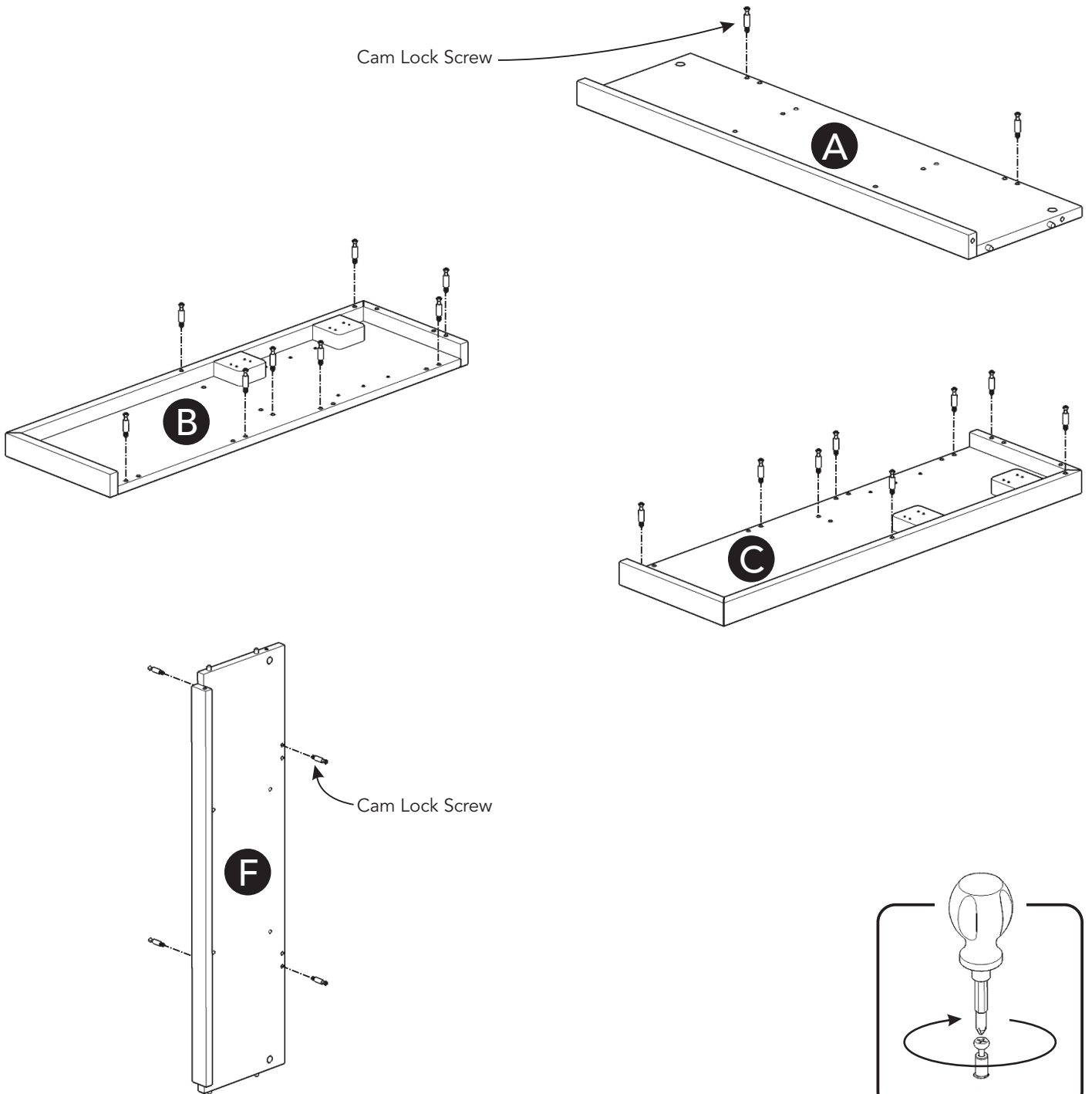
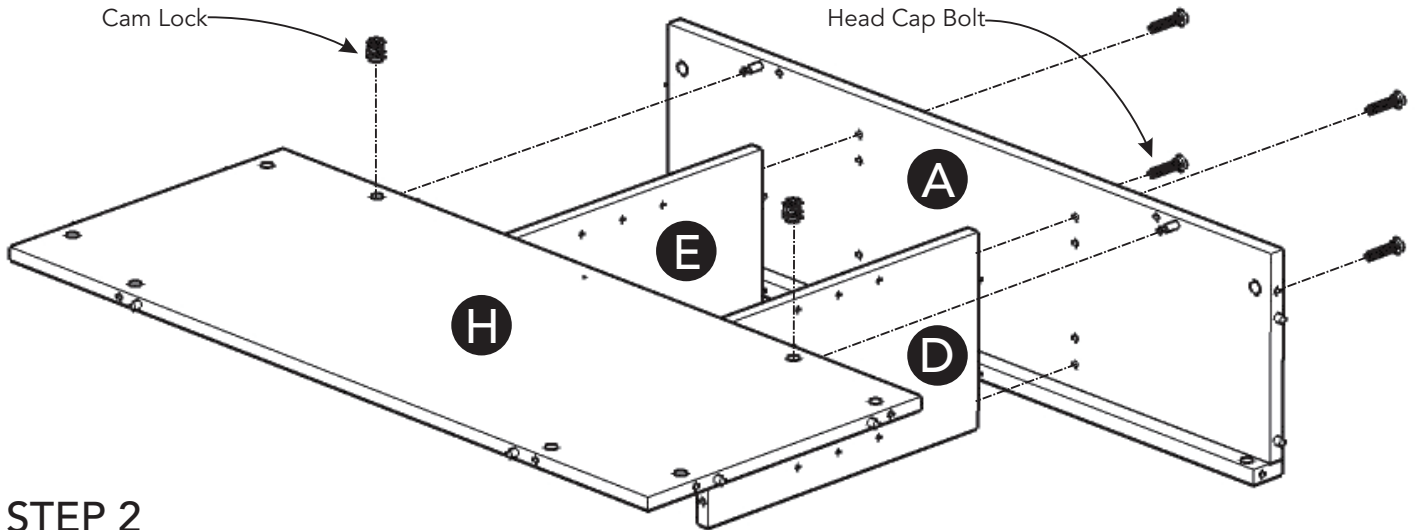


Figure 1

## Assembly Instructions 3/8



### STEP 2

Attach Middle Panels (D), (E) to Top (A) with Head Cap Bolts, then tighten. (See Figure 2)

Attach Back Panel (H) to unit with Cam Locks. (See Figure 3)

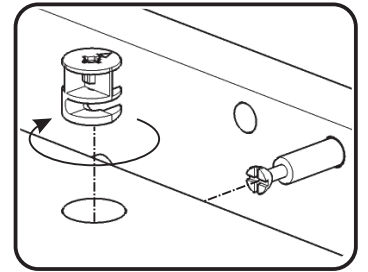


Figure 2

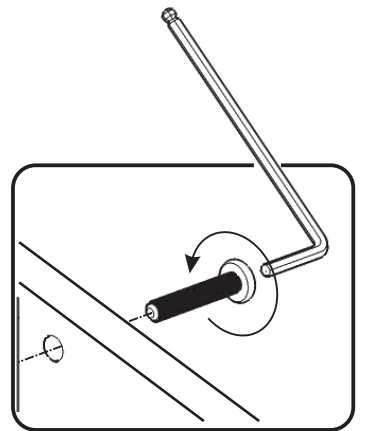
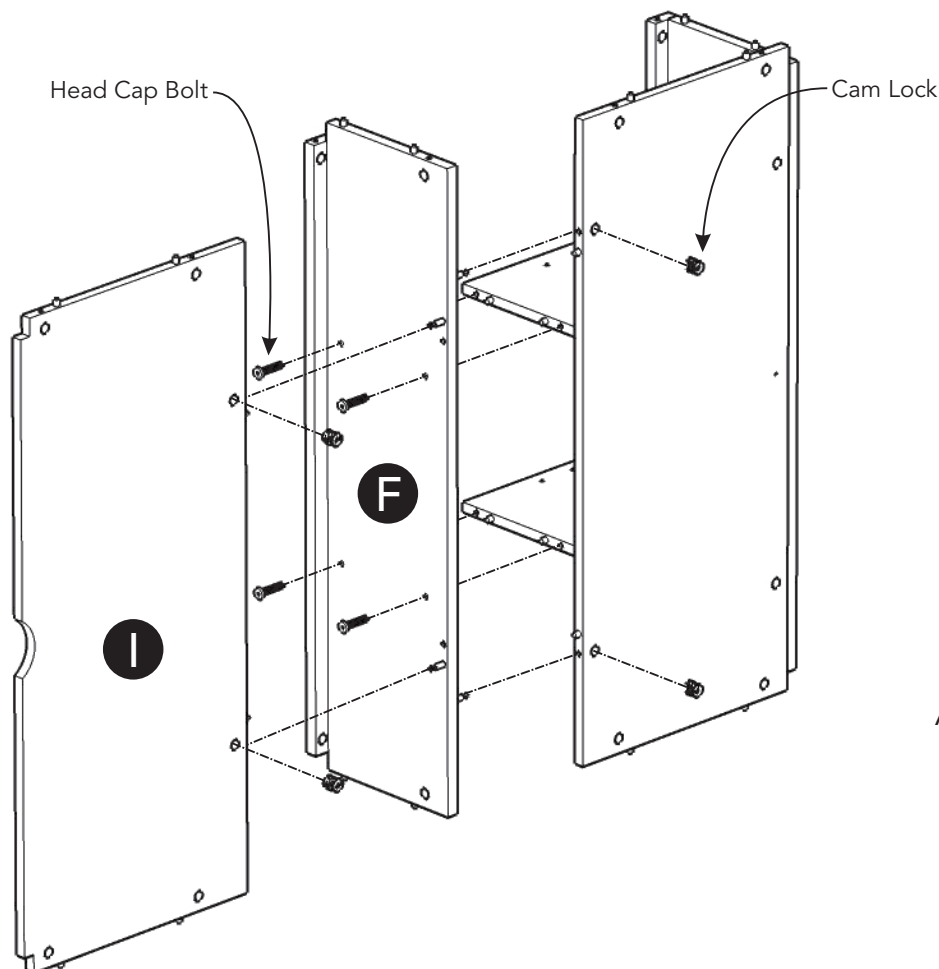


Figure 3

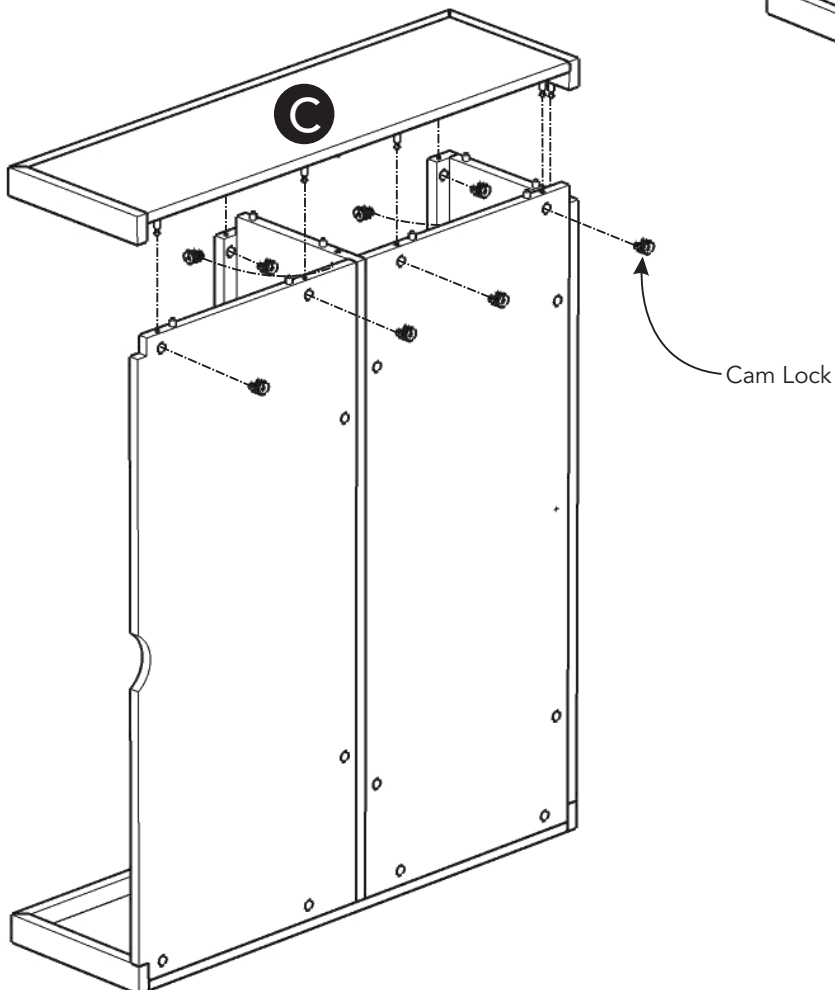
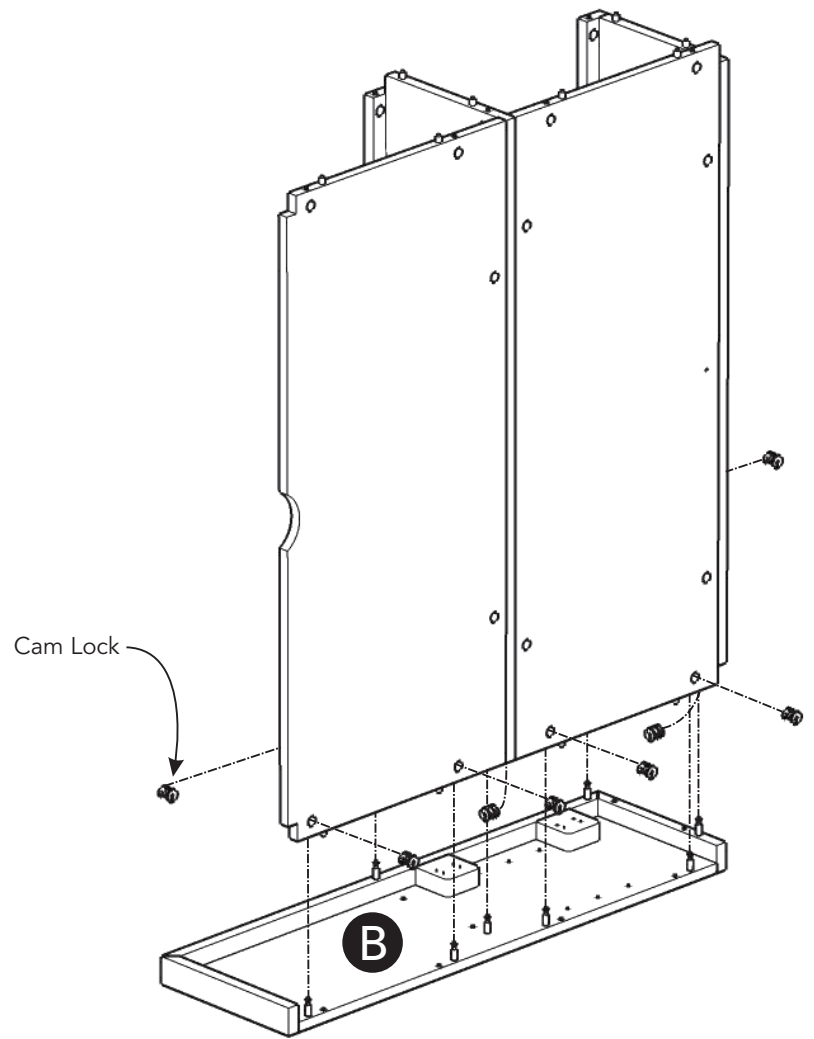
### STEP 3

Attach Fixed Shelf (F) to unit with Cam Locks and Head Cap Bolts, then tighten.

Attach Back Panel (I) to unit with Cam Locks.

**STEP 4**

Attach Side Panel (B) to unit with Cam Locks.



**STEP 5**

Attach Side Panel (C) to unit with Cam Locks.

# Assembly Instructions 5/8

## STEP 6

Attach Hinges to Doors (J) and (K) with Wood Screws for Hinge into pre-drilled holes, then tighten. (See Figure 4)

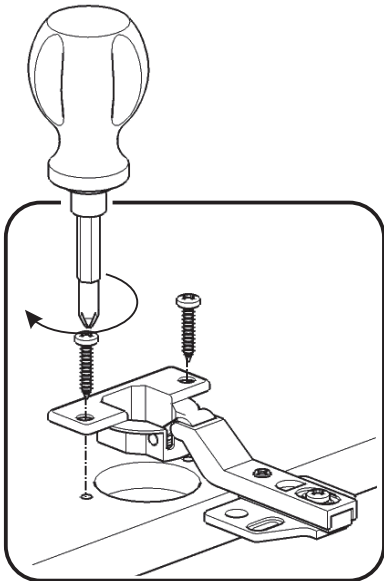
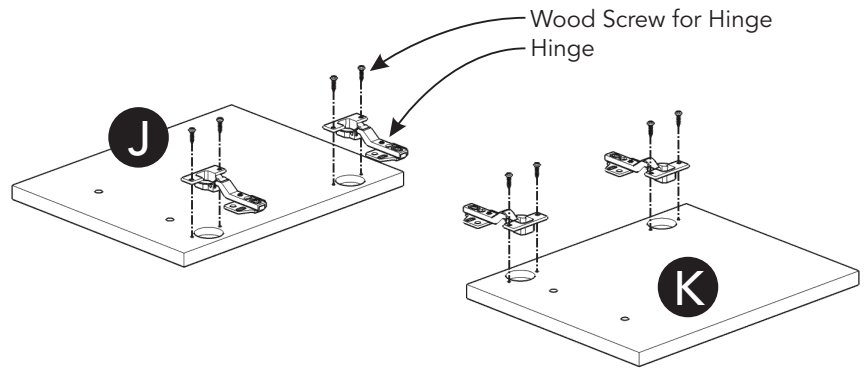


Figure 4

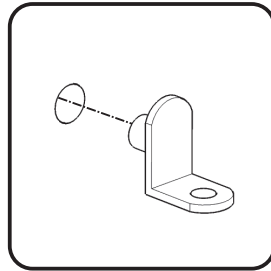


Figure 5

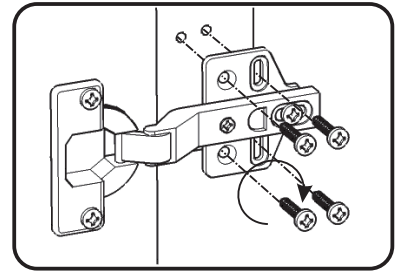
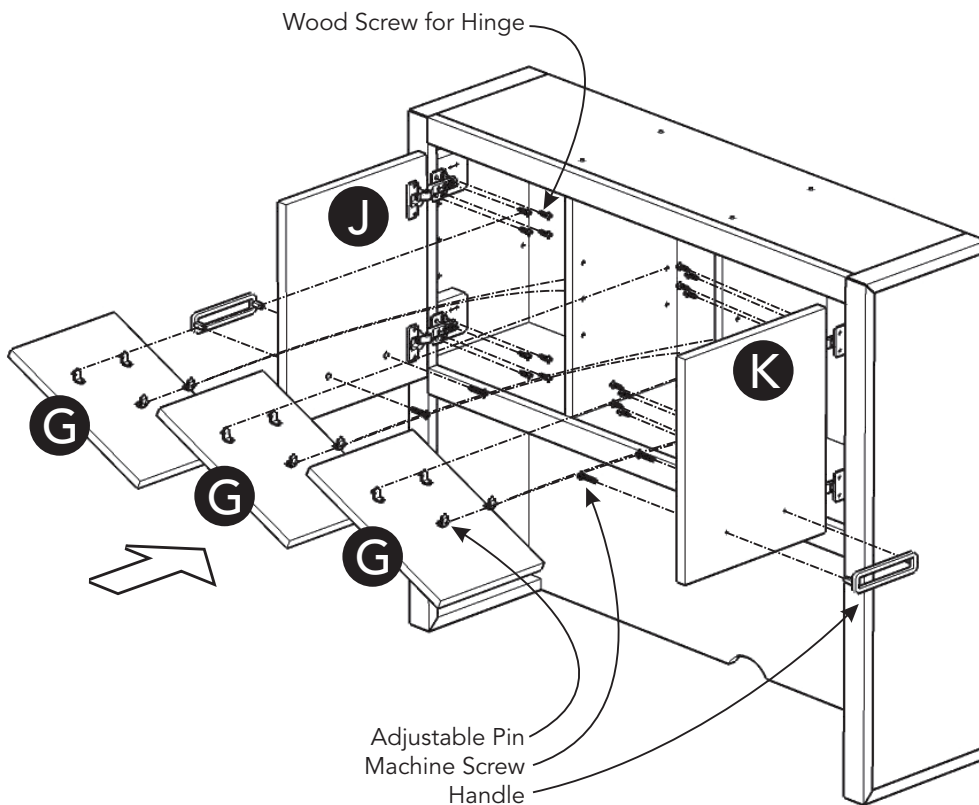


Figure 6



## STEP 7

Turn unit to its upright position.

Insert Adjustable Pins into side panels at desired level. (See Figure 5)

Place Shelves (G) into position.

Attach Doors (J) and (K) to unit with Wood Screws for Hinge into pre-drilled holes. (See Figure 6)

Attach Handles to Doors (J) and (K) with Machine Screws.

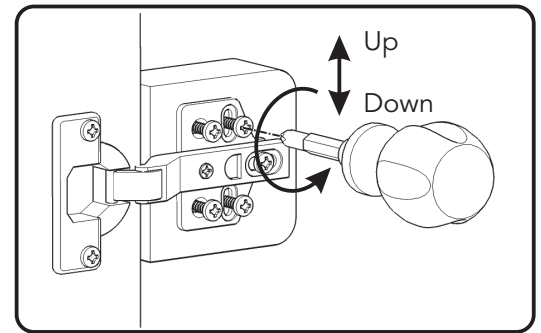


Figure 7

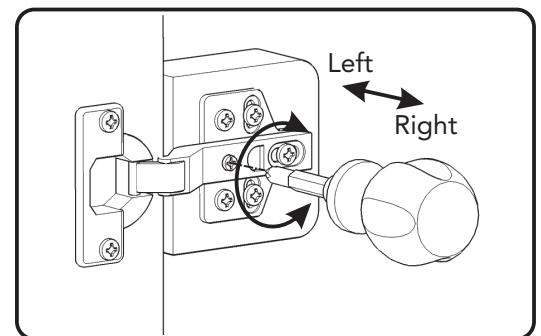


Figure 8

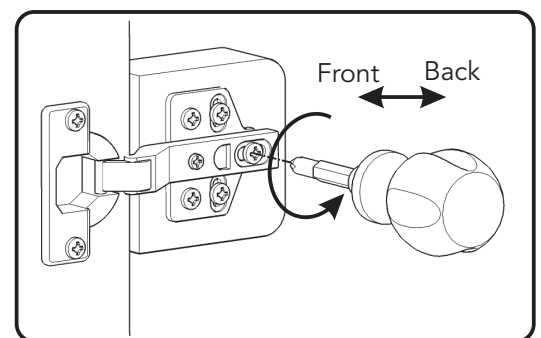
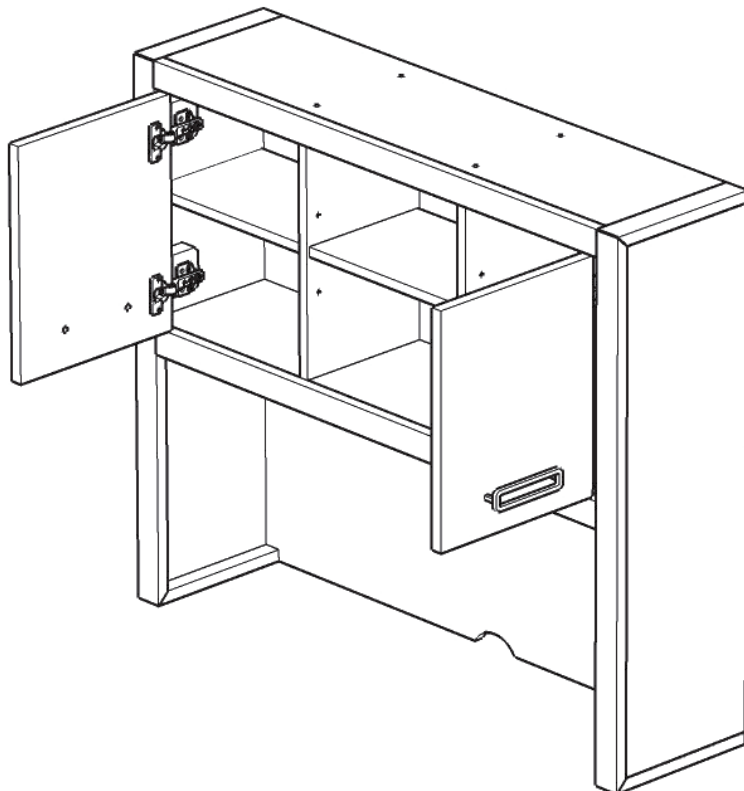


Figure 9

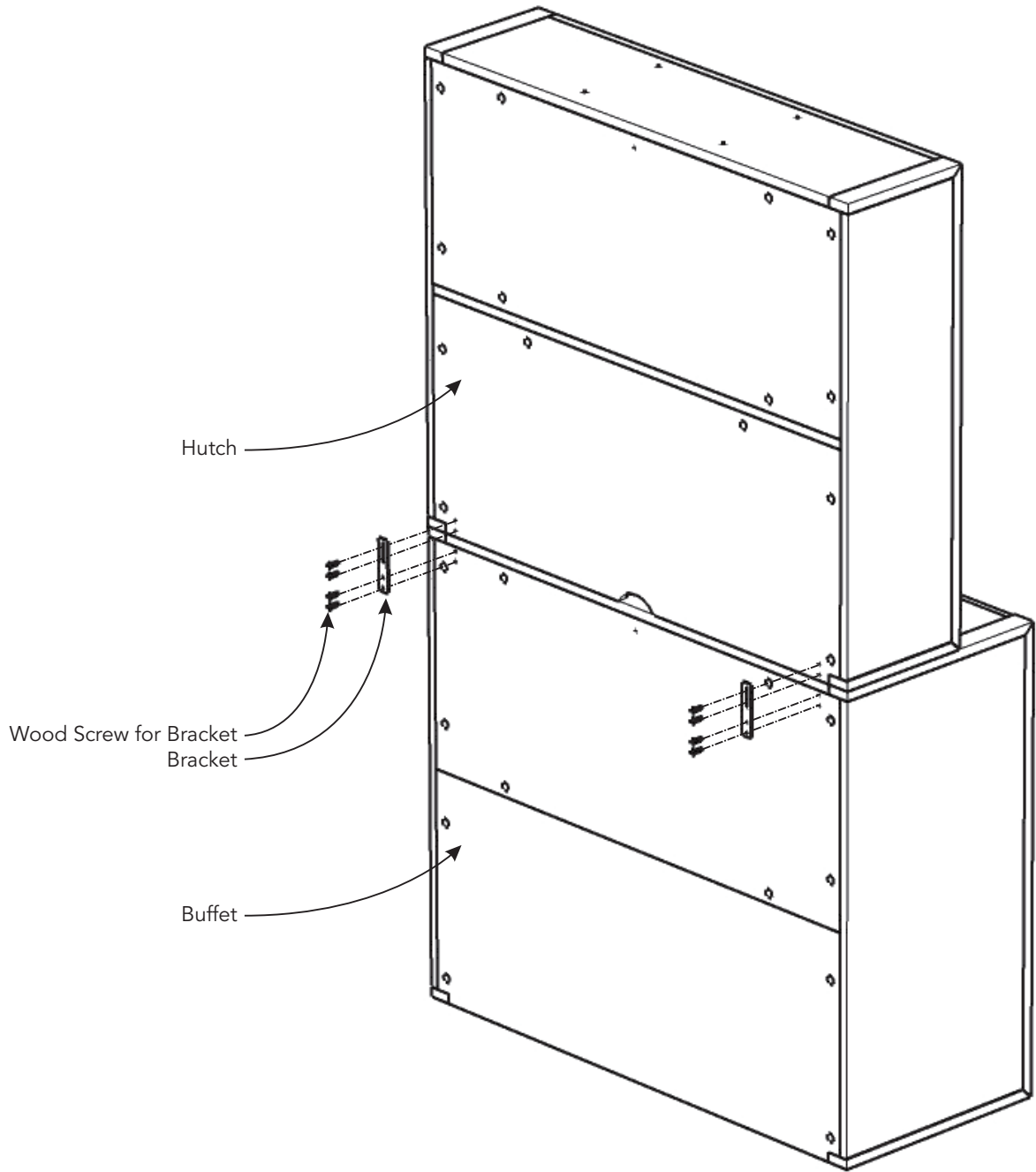


## STEP 8

If needed, adjust doors up or down by removing the front Wood Screws for Hinge and loosening slightly the back Wood Screws for Hinge from side panel, adjusting doors up or down and reinstalling screws. (See Figure 7)

If needed, adjust doors left to right. (See Figure 8)

If needed, adjust doors front to back. (See Figure 9)



## STEP 9

Attach Hutch to Buffet with Brackets by inserting Wood Screws for Bracket into pre-drilled holes, then tighten. (See Figure 10)

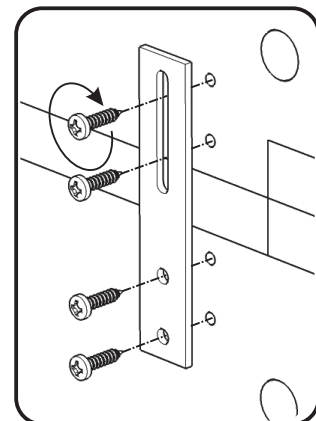


Figure 10

## Assembly Instructions 8/8

### IMPORTANT

- To help reduce the risk of the unit tipping over, the Tipover Restraint must be installed following these instructions exactly.

### STEP 10

Place unit at desired location.

Drill a 3/8" hole in wall in-line with Pre-drilled hole at top of unit.

Move unit.

Insert Anchor into the wall hole and attach Bracket with Wall Screw.

Attach Bracket at pre-drilled hole at top of unit with Wood Screw.

Move unit back into place.

Slide Tipover Restraint through Bracket on wall and Bracket on unit.  
(See Figure 11)

Put tie end of Tipover Restraint into lock end of Tipover Restraint and pull until tight.

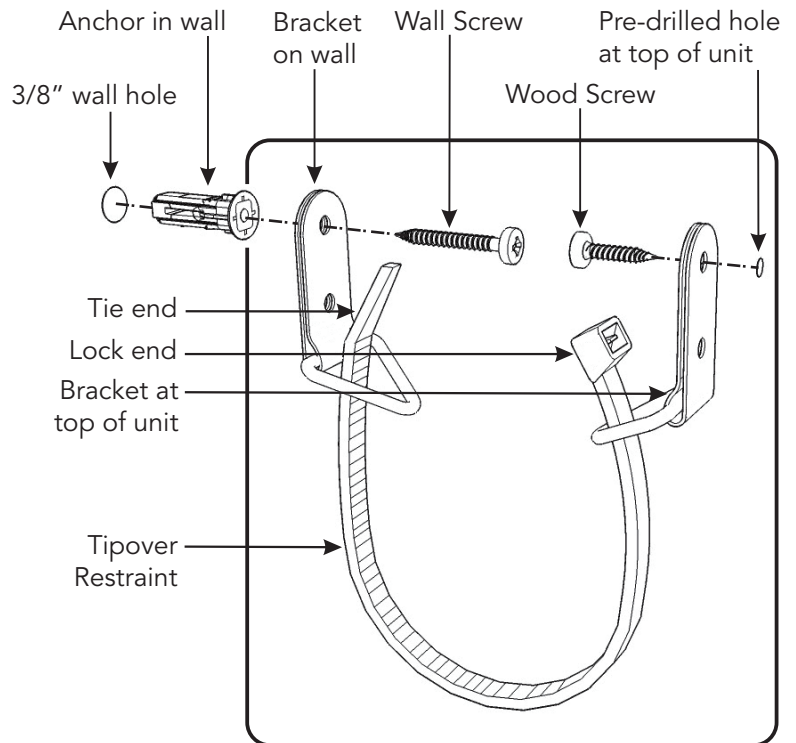
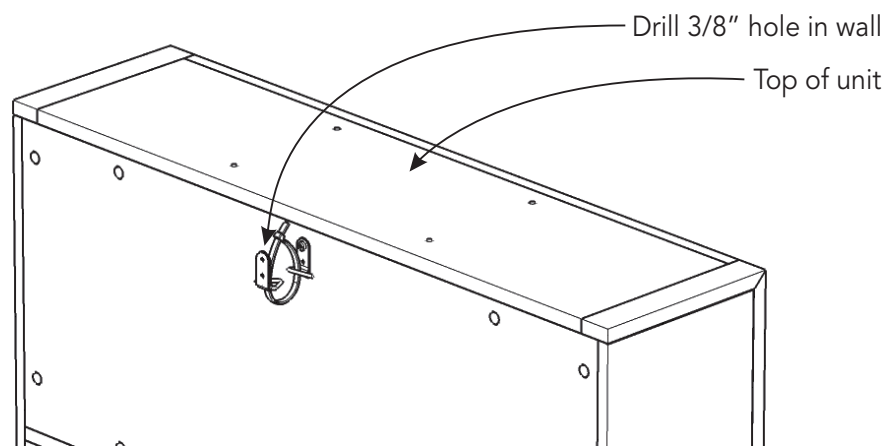
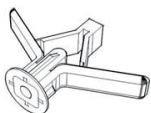


Figure 11



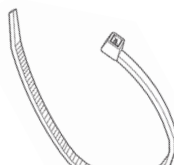
### Hardware List



Anchor  
1 pc. (+1 extra)



Bracket  
2 pcs. (+1 extra)



Tipover Restraint  
1 pc. (+1 extra)



M3.5x40  
Wall Screw  
1 pc. (+1 extra)



M3.5x16  
Wood Screw  
1 pc. (+1 extra)



# CARE INSTRUCTIONS

## NEVER

allow liquids to remain on furniture.  
Absorption causes parts to warp  
and split and finishes to delaminate.

## NEVER

use glass cleaners on  
finished furniture. Ammonia  
chemically attacks the finish.



Do not use power tools  
above 8 volts to assemble.

**PREVENT  
CRACKING**



Do not place  
in direct sunlight.

**PREVENT  
FADING**



Do not write  
directly on surface.

**PREVENT  
MARKING**



Do not place hot  
objects on surface.

**PREVENT  
FINISH DAMAGE**



Do not use rubber  
based placemats.

**PREVENT  
DISCOLORING**



Do not use commercial  
waxes and polishes.

**PREVENT  
YELLOWING**

## CLEAN

with a soft cloth moistened  
in lukewarm soap and water.  
Buff with a dry clean cloth.



Home Styles will provide replacements free of charge for missing or damaged hardware or parts within 30 days of purchase. Digital images of the defective parts may be required. If the product was not purchased from an authorized retail affiliate, Home Styles is under no obligation to provide replacement parts. Parts are not available for fully assembled items nor are parts available for sale. Replacements for missing or damaged hardware or parts may be requested at:

[www.homestyles-furniture.com/customer-service/replacement-parts](http://www.homestyles-furniture.com/customer-service/replacement-parts)

Home Styles Customer Service: [www.homestyles-furniture.com](http://www.homestyles-furniture.com),  
[servicedesk@homestyles-furniture.com](mailto:servicedesk@homestyles-furniture.com), 888-680-7460, 877-831-0319