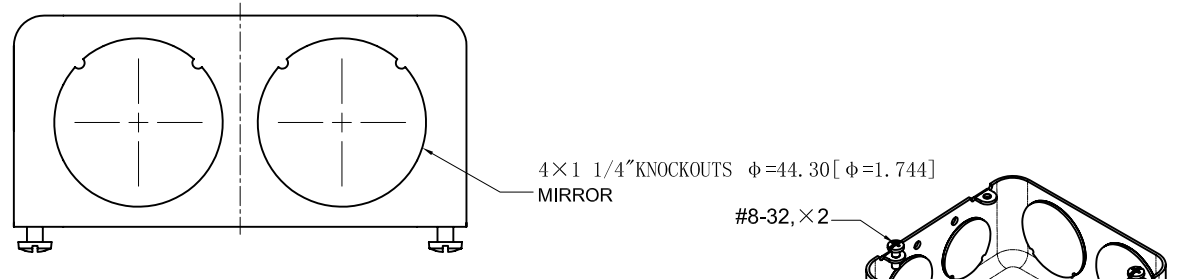
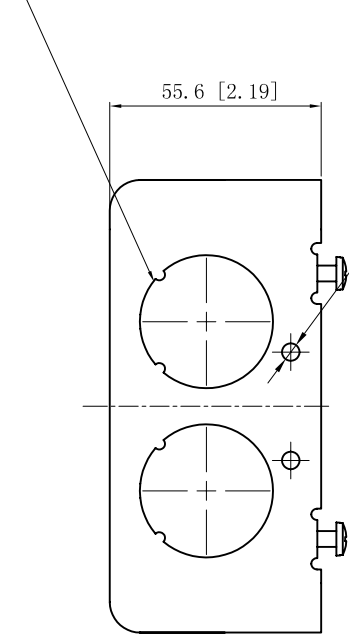


SIDES	BOTTOM
4 1" KNOCKOUTS	2 1/2" KNOCKOUTS
4 1 1/4" KNOCKOUTS	2 3/4" KNOCKOUTS
	1 Ground Hump
2 PCS 8-32x1/2 Screws Installed	
Material: Steel-0.0625"-G60 Galvanized	



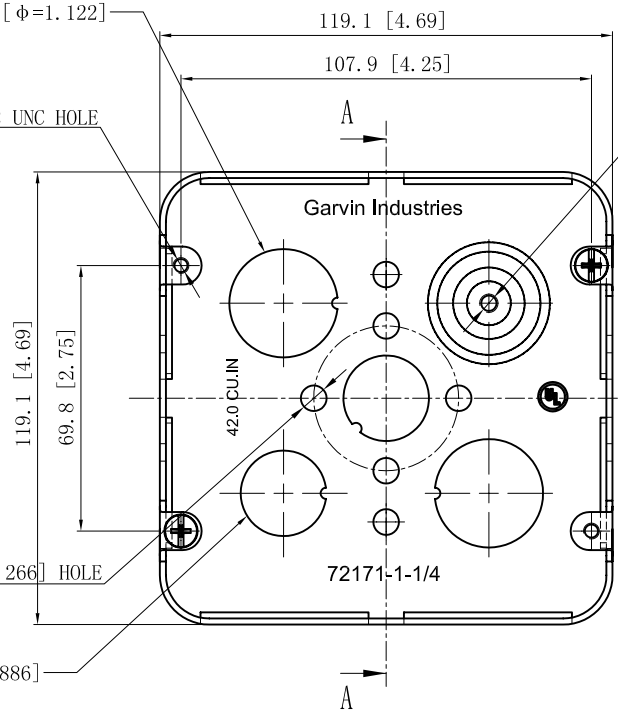
4 x 1" KNOCKOUTS $\phi = 35.00$ [$\phi = 1.378$]
MIRROR



2 x 3/4" KNOCKOUTS $\phi = 28.50$ [$\phi = 1.122$]

4-#8-32 UNC HOLE

4- $\phi 4.2$ [$\phi 0.17$] HOLE



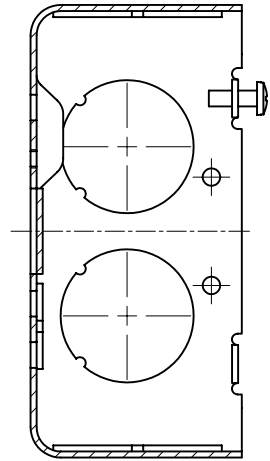
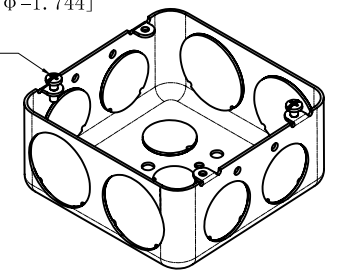
6- $\phi 6.75$ [$\phi 0.266$] HOLE

2 x 1/2" KNOCKOUTS $\phi = 22.50$ [$\phi = 0.886$]

4 x 1 1/4" KNOCKOUTS $\phi = 44.30$ [$\phi = 1.744$]
MIRROR

#8-32, x 2

#10-32 UNF HOLE



CUTAWAY VIEW A-A

DESCRIPTION
TRADE REFERENCE TERMS

This data sheet is for reference only. GARVIN INDUSTRIES reserves the right to make changes to the design without prior notice.

STANDARD PACKING	GARVIN INDUSTRIES		
	TITLE 4-11/16" SQUARE "DRAWN" BOXES (2-1/8" DEEP)		
25 PCS	SIZE	DWG NO.	REV
	A4	72171-1-1/4	B
DATA SHEET			