


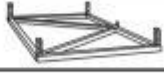





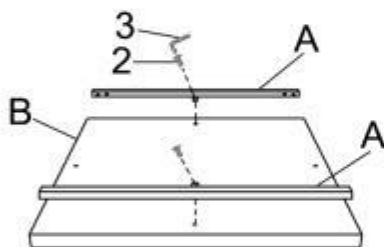
ASSEMBLY INSTRUCTIONS

ITEM NO: 223702

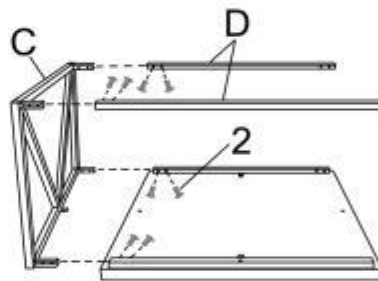
Parts required

1				4 pcs	B		1 pc
2		Bolt	Φ6×10MML	20 pcs	C		2 pcs
3		Allen wrench		1 pc	D		2 pcs
A				2 pcs			

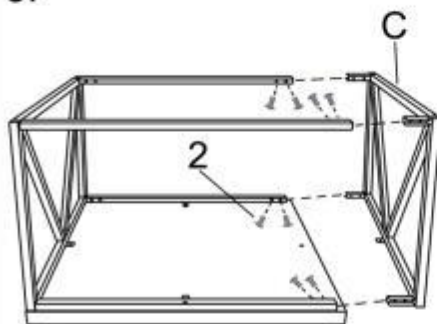
1.



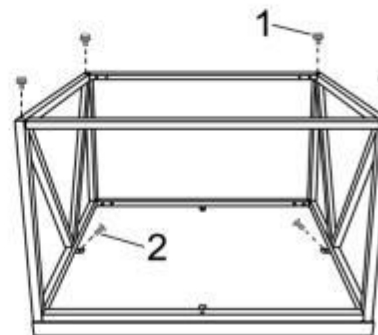
2.



3.



4.



Do not tighten screws until last step.