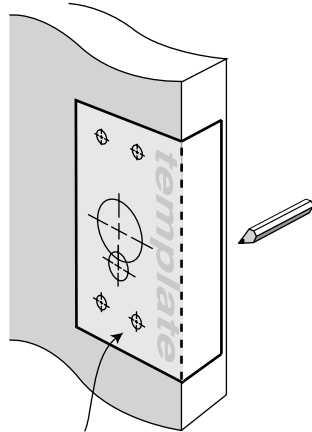


# Installation Instructions for Trilock Omni Dummy

## Single Pull Handle Version - Suits 35mm to 45mm door thickness

### Step 1

- Fold template where indicated.
- Position template on door edge at desired height, align with operating Omni on opposite door.
- Firmly hold template and mark 4 off 10mm holes centres & 1 off 19mm hole centre & 1 off 54mm hole centre.  
(Drill 19mm hole before 54mm hole)

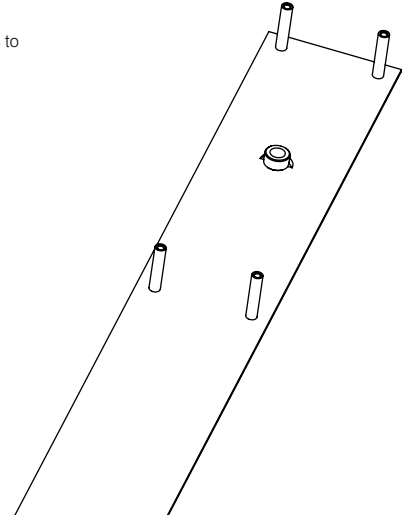


**Please note:** Ensure the template position and orientation is as shown, incorrect installation voids warranty.

**NOTE:** Drill 19mm hole before 54mm hole.

### Step 2

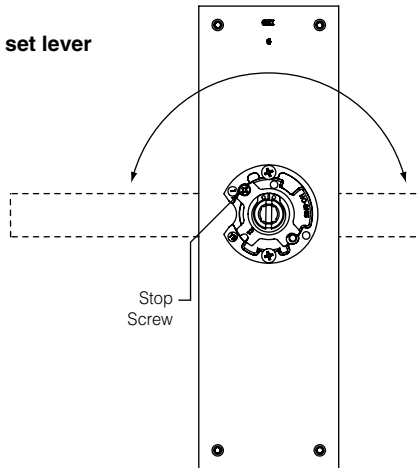
- Install 4 off M4 threaded posts to Omni external faceplate.



### Step 3

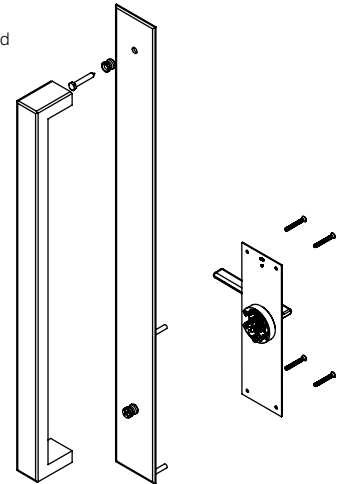
#### To rehand external lever & set lever operation (if required).

- To rehand, remove the stop screw and rotate the lever 180° and refit the stop screw.



### Step 4

- Fit 4 off mounting screws from inside and tighten into threaded posts.
- Install pull handle as per instructions below.

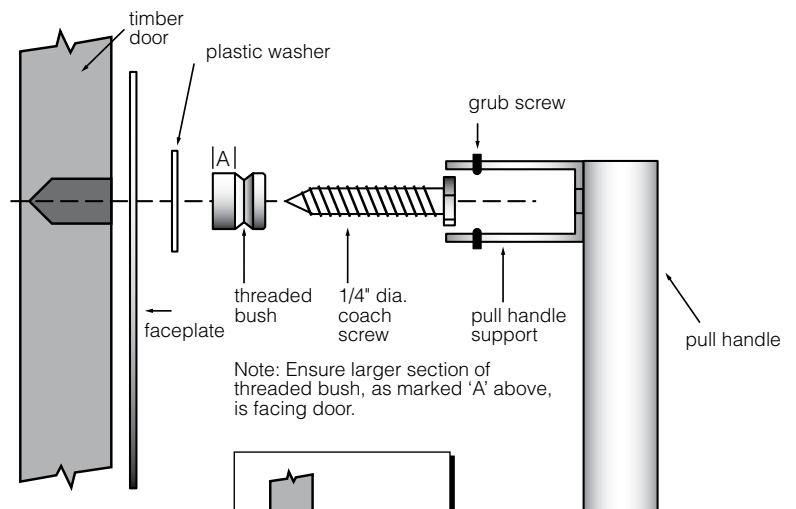


### Step 5

#### Fixing of single pull handle

**Note:** Suitable for solid doors only

- Check and make sure that the outside faceplate is lined up straight and square with the door.
- Once the desired position of the outside faceplate has been confirmed, mark the centre of the hole at the top of the faceplate and proceed to drill a suitable hole.
- Note: When drilling the hole, drill to a suitable depth ONLY to accommodate the coach screw. **(DO NOT DRILL ALL THE WAY THROUGH THE DOOR).**
- On the side requiring the pull handle, hold the optional rectangular plastic washer centred over the hole against the door surface.
- Hold the threaded bush onto the outside faceplate, ensuring the larger section of the bush, as marked 'A' in illustration, is facing the door.
- From the same side, install the 1/4" diameter coach screw through the threaded bush and optional plastic washer (if used) and into the door.
- Tighten coach screw securely with spanner.
- Place the pull handle over top of 2 mounting bushes.
- Line up the pull handle so that it is lined up straight and square.
- Insert the grub screws and tighten with allen key provided.



Note: Ensure larger section of threaded bush, as marked 'A' above, is facing door.

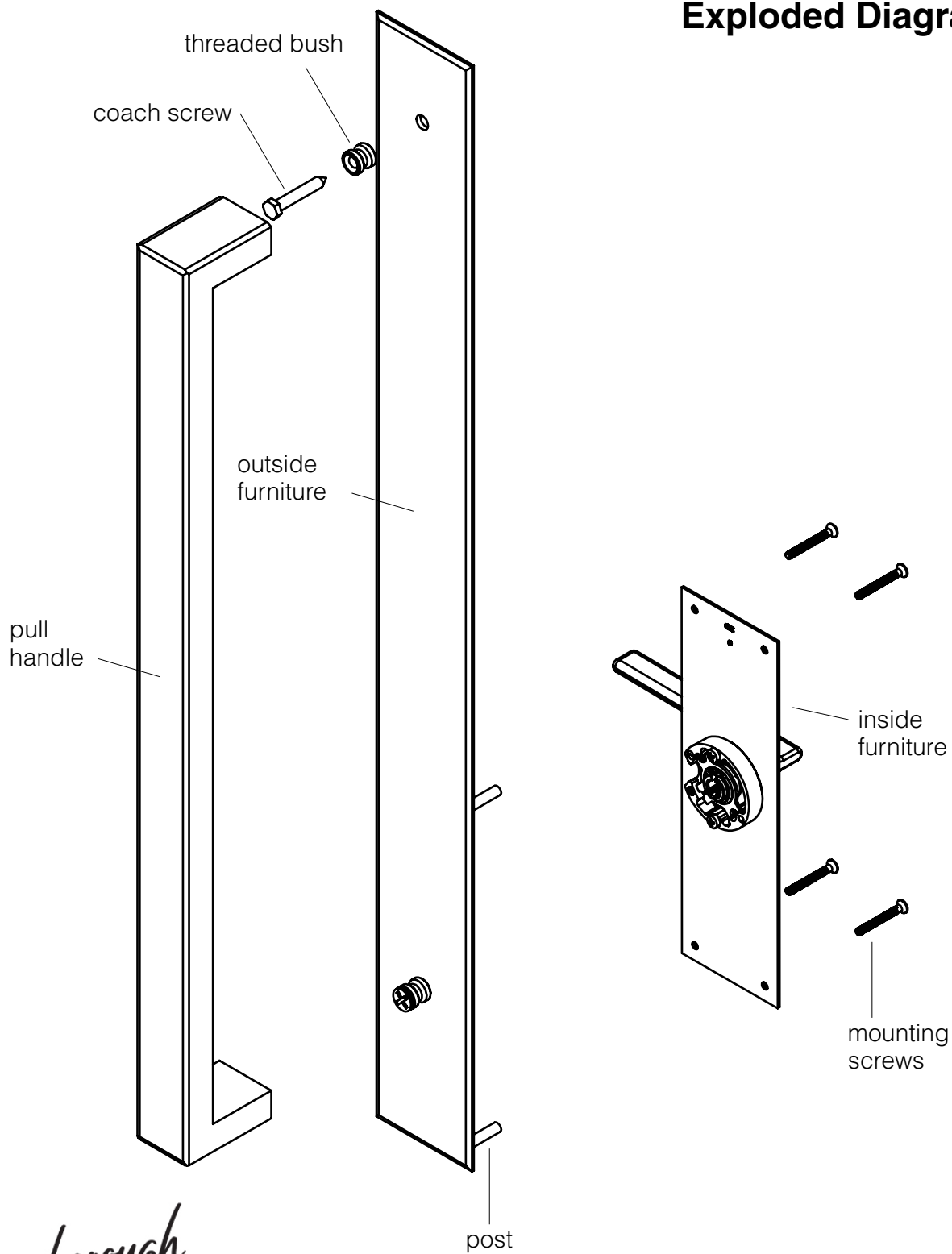
- NOTE:**
- carefully follow these instructions when installing.
  - do not overtighten screws.
  - use of power driver is not recommended.
  - fully remove the Trilock prior to painting the door to avoid harming the product's finish.

*Gainsborough*  
**TRILOCK**  
BY GAINSBOROUGH

# Installation Instructions for Trilock Omni Dummy

Single Pull Handle Version - Suits 35mm to 45mm door thickness

## Exploded Diagram



*Gainsborough*

**TRILOCK**  
BY GAINSBOROUGH

