

Carré

Back-to-Wall Toilet

SM-WT530



Features:

- Space saving, back-to-wall design
- Square bowl
- Glazed ceramic
- Quick-release, soft-close seat

Installation:

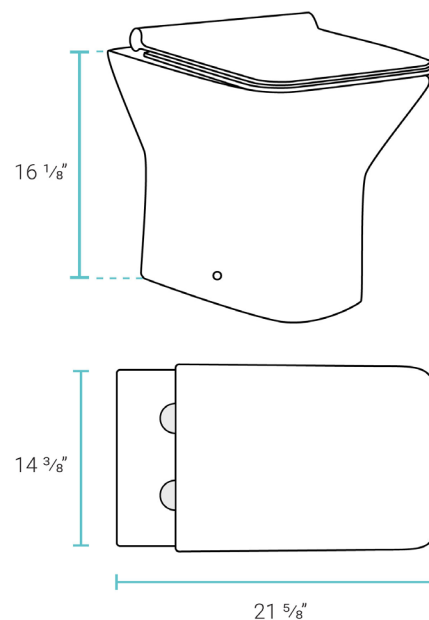
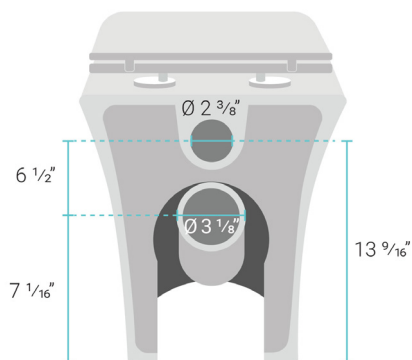
- Floor-mount
- 7" vertical rough-in

Specifications:

- N.W: 62.0 lb.
- L: 21 ⁵/₈" x W: 14 ³/₈" x H: 16 ¹/₈"

Included Kit Parts:

- In-Wall Tank: SM-W324
- Back-to-Wall Toilet: SM-WT530
- Actuator Plate: SM-WC001C



Residential Concealed Tank Carrier System

for Back-to-Wall Toilet

SM-WC324



Features:

- Saves space with concealed tank
- Strong, secure hold
- Easy tank access
- Dual-flush

Installation:

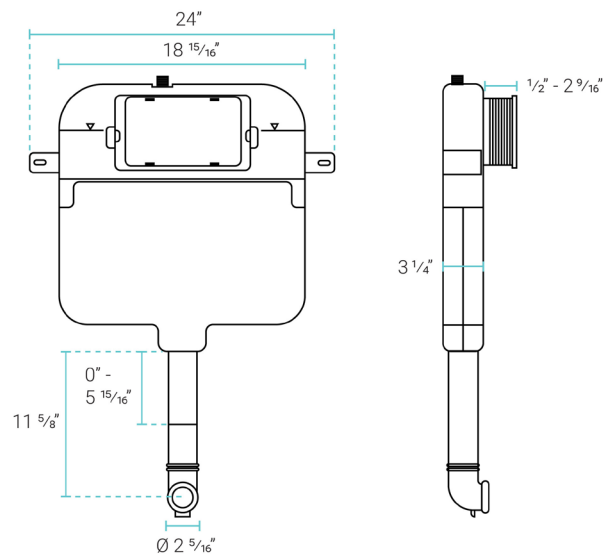
- In-wall

Specifications:

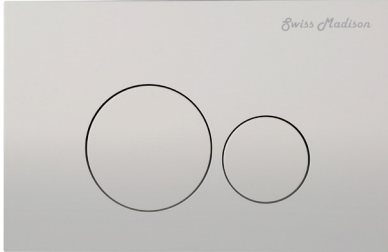
- N.W: 8.13 lb.
- L: 24" x W: 3 1/4" x H: 28 15/16"

Included Kit Parts:

- In-Wall Tank: SM-W324
- Back-to-Wall Toilet: SM-WT530
- Actuator Plate: SM-WC001C



Dual-Flush Flush Actuator SM-WC001C



Features:

- ABS material
- Dual-flush push buttons

Installation:

- Front-mount

Specifications:

- N.W: 2.0 lb.
- L: $9 \frac{5}{16}$ " x W: $\frac{5}{16}$ " x H: 6"

Included Kit Parts:

- In-Wall Tank: SM-W324
- Back-to-Wall Toilet: SM-WT530
- Actuator Plate: SM-WC001C

