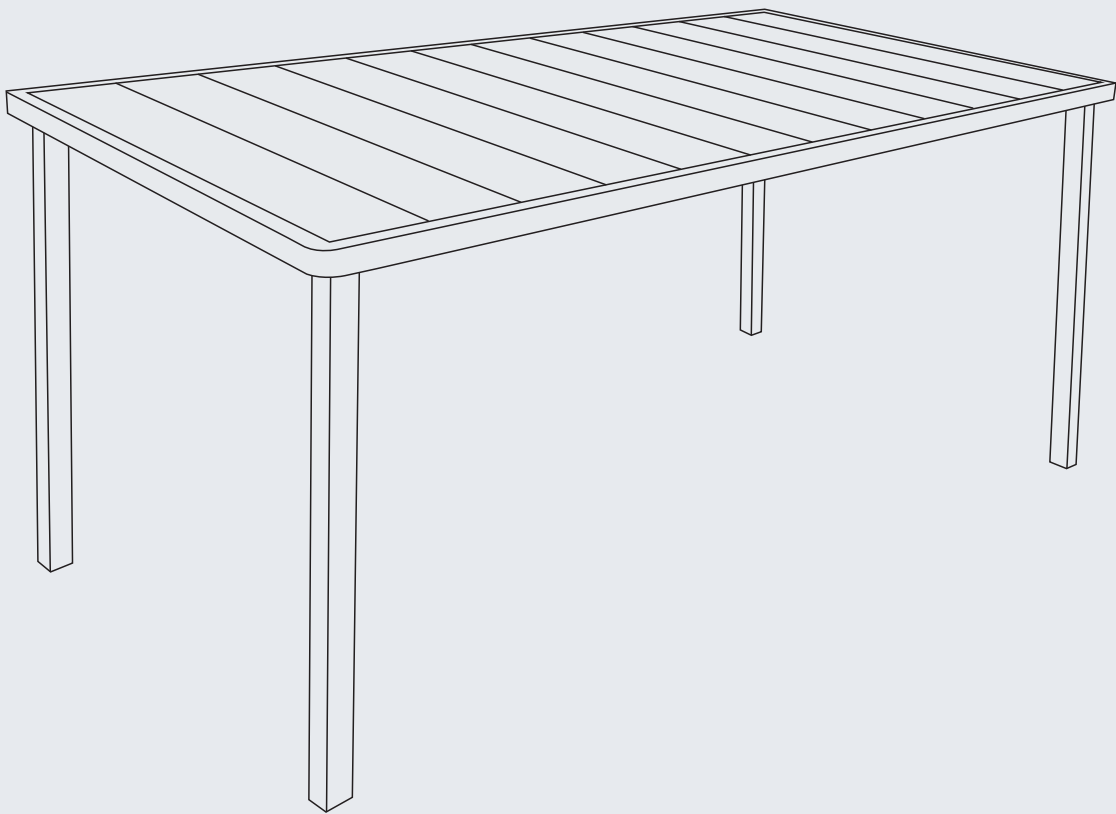


INSTRUCTION MANUAL



59"×35.4" Outdoor
Steel Rectangular Dining Table

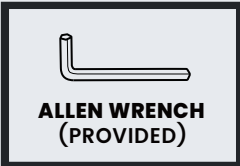
V1.0

! NOTICE

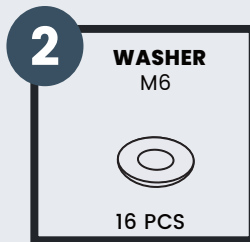
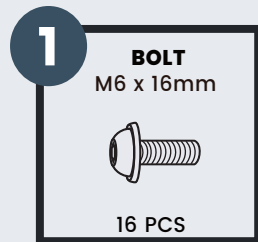
Do not overtighten screws. (Insert all screws before tightening screws.)

- Please do not exceed the weight limitations of this item.
- Do not stand on or use any part of this item as a step ladder.
- Firmly secure all bolts, screws and nuts before use.
- Inspect and tighten all bolts on a regular basis to ensure proper performance and safety.
- Do not use or store this item in the proximity of open flame or flammable/combustible chemicals.
- Be aware that some parts are heavy and have sharp edges.
- We recommend the use of furniture covers to protect when not in use, and store in a dry and protective area during off season.

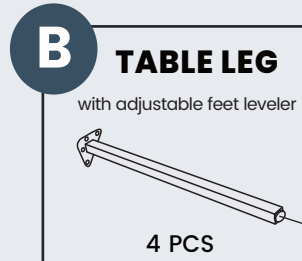
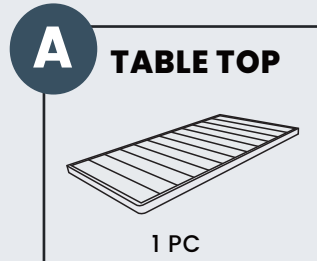
TOOLS REQUIRED



HARDWARE



PARTS

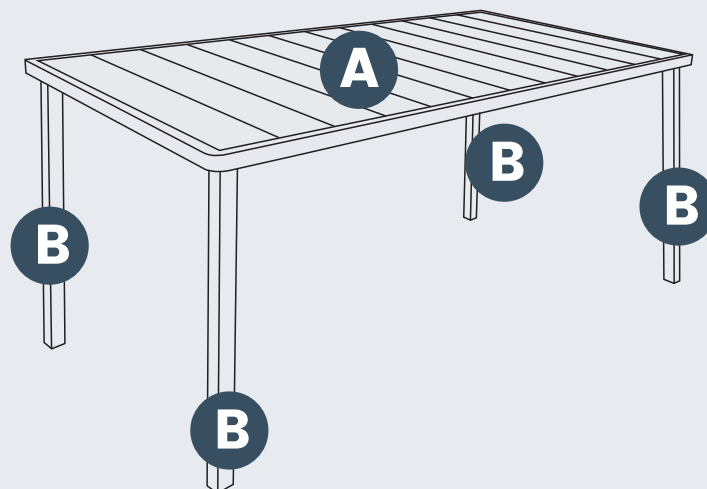


adjustable feet leveler



PRODUCT ASSEMBLY – OVERALL VIEW

Look at following overall view of this table and learn the exact position of each part to be assembled.

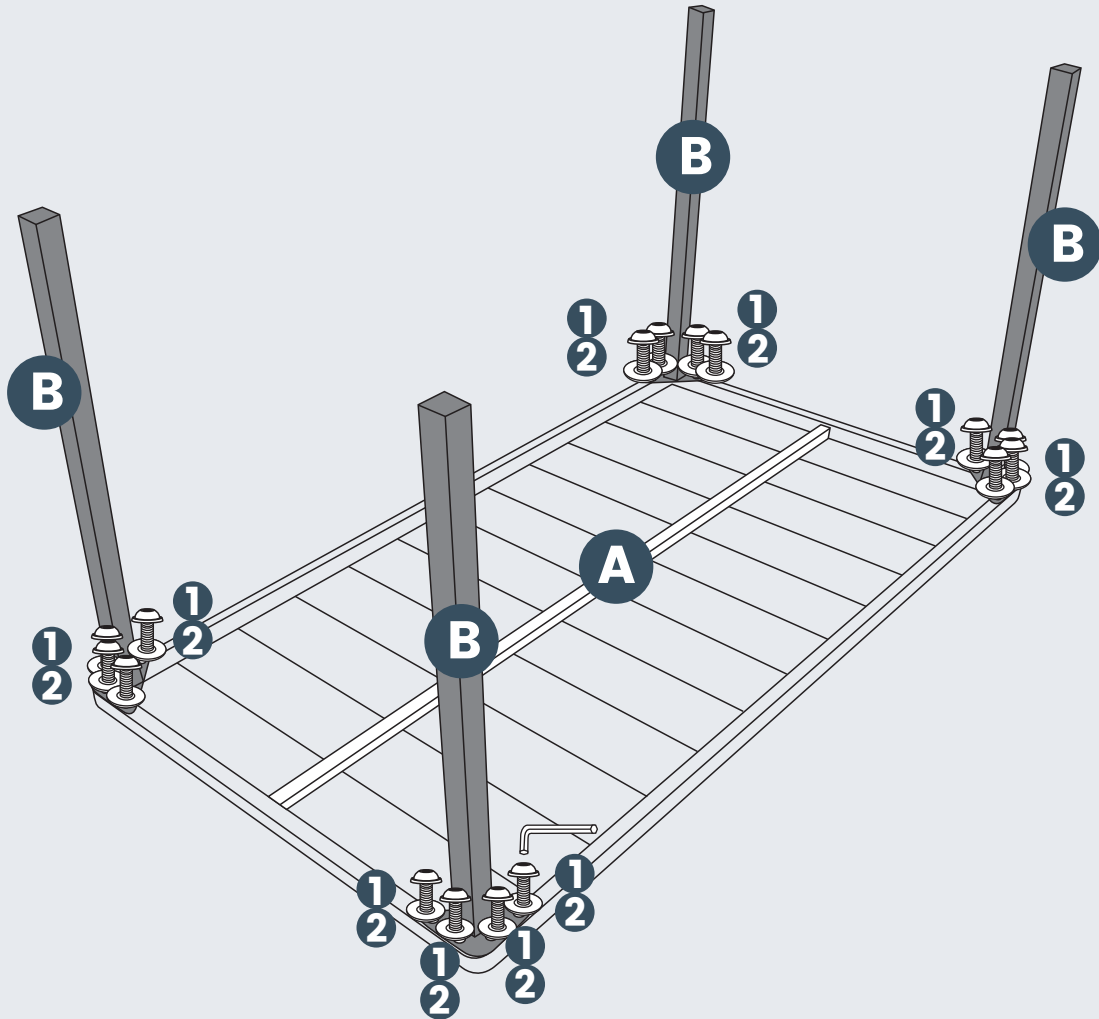


PRODUCT ASSEMBLY

1

Pick out **Part B Table Leg** and **Part A Table Top** from package.

Place **Part A Table Top** upside down on flat surface. Attach 4 pcs of **Part B Table Leg** to **Part A Table Top**, each leg with 4 sets of **Hardware #1 Bolt** and **#2 Washer**.

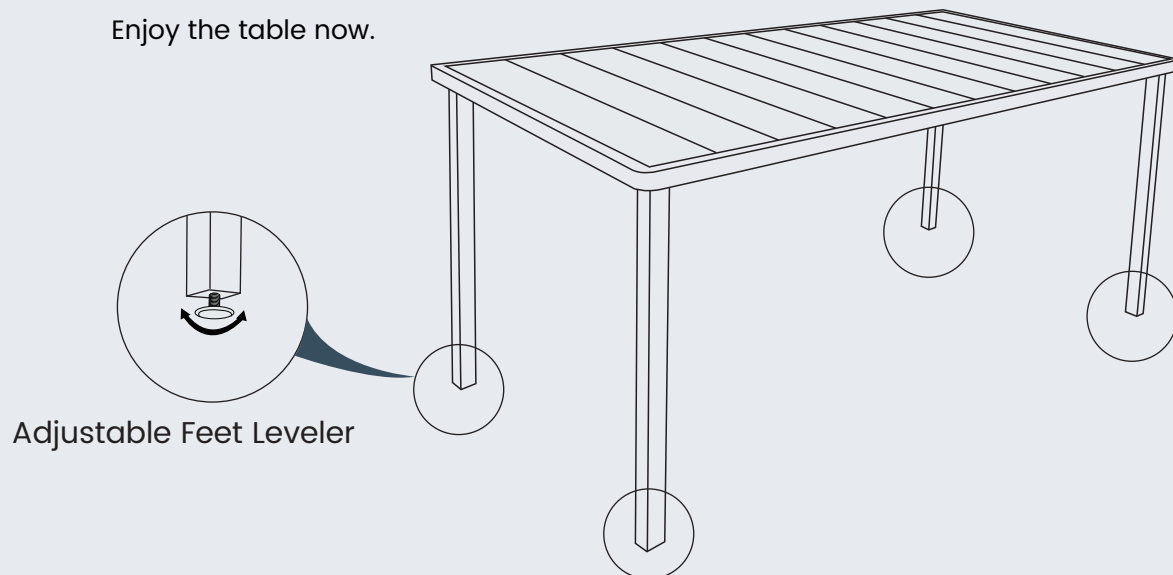


2

Check and tighten all the bolts again to ensure the table is steady enough.

Adjust the feet leveler to ensure four feet are evenly to the ground.

Enjoy the table now.



CLEANING TIPS

REGULAR CLEAN: Use a mixture of warm water and mild soap, rinse thoroughly and dry in the sun. Avoid harsh cleansers or polish and do not use bleach or acid on the metal product.

QUICK CLEAN: You can simply wipe down the furniture with a damp cloth.

Regular cleaning not only preserves the aesthetic appeal of your furniture, but also helps extend its lifespan.