



ITM. / ART. 2582829
MODEL / MODÈLE / MODELO: PB1600PS1
PART / PIÈCE / PARTE: 10737

PRO SERIES

WOOD PELLET GRILL & SMOKER

IMPORTANT, READ CAREFULLY, RETAIN FOR FUTURE
REFERENCE. MANUAL MUST BE READ BEFORE OPERATING!

GRIL & FUMOIR À GRANULES DE BOIS

IMPORTANT, PRENEZ CONNAISSANCE DE CE
DOCUMENT ET CONSERVEZ-LE POUR RÉFÉRENCE
ULTÉRIEURE VOUS DEVEZ LIRE CE GUIDE AVANT
D'UTILISER LE BARBECUE !

ASADOR Y AHUMADOR DE PELLETS DE MADERA

IMPORTANTE, LEA DETENIDAMENTE, CONSERVE
PARA REFERENCIA FUTURA. ¡DEBE LEER EL
MANUAL ANTES DE LA OPERACIÓN!



PB1600PS1

82-260°C / 180-500°F

WARNING: PLEASE READ THE ENTIRE MANUAL BEFORE INSTALLATION AND USE OF THIS ELECTRIC, PELLET FUEL-BURNING APPLIANCE. FAILURE TO FOLLOW THESE INSTRUCTIONS COULD RESULT IN PROPERTY DAMAGE, BODILY INJURY OR EVEN DEATH. CONTACT LOCAL BUILDING OR FIRE OFFICIALS ABOUT RESTRICTIONS AND INSTALLATION INSPECTION REQUIREMENTS IN YOUR AREA.

AVERTISSEMENT: VEUILLEZ LIRE L'INTÉGRALITÉ DU MANUEL AVANT L'INSTALLATION ET L'UTILISATION DE CET APPAREIL ÉLECTRONIQUE À GRANULES. LE NON-RESPECT DE CES INSTRUCTIONS PEUT ENTRAÎNER DES DOMMAGES AUX BIENS, DES BLESSURES OU MÊME LA MORT. COMMUNIQUEZ AVEC LES AUTORITÉS LOCALES EN MATIÈRE D'INCENDIE ET DE BÂTIMENT CONCERNANT LES RESTRICTIONS ET LES EXIGENCES D'INSTALLATION DANS VOTRE RÉGION.

ADVERTENCI: LEA EL MANUAL COMPLETO ANTES DE INSTALAR Y UTILIZAR ESTE APARATO ELÉCTRICO PARA QUEMAR PELLETS DE COMBUSTIBLE. INCUMPLIR ESTAS INSTRUCCIONES PODRÍA CAUSAR DAÑOS MATERIALES, LESIONES CORPORALES, E INCLUSO LA MUERTE. CONSULTE A SUS FUNCIONARIOS LOCALES DE CONSTRUCCIÓN Y CONTROL DE INCENDIOS PARA INFORMARSE SOBRE LAS RESTRICCIONES Y LOS REQUISITOS DE INSPECCIÓN DE INSTALACIONES EN SU REGIÓN.

ASSEMBLY AND OPERATION ASSEMBLAGE ET FONCTIONNEMENT MONTAJE Y OPERACIÓN

FOR OUTDOOR AND HOUSEHOLD USE ONLY. NOT FOR COMMERCIAL USE.
RÉSERVE À L'USAGE EXTÉRIEUR ET RÉSIDENTIEL UNIQUEMENT. NON DESTINÉ À UN USAGE COMMERCIAL.
SOLO PARA USO EN EXTERIORES Y EN EL HOGAR. NO ES PARA USO COMERCIAL.

SAFETY INFORMATION

MAJOR CAUSES OF APPLIANCE FIRES ARE A RESULT OF POOR MAINTENANCE AND A FAILURE TO MAINTAIN REQUIRED CLEARANCE TO COMBUSTIBLE MATERIALS. IT IS OF UTMOST IMPORTANCE THAT THIS PRODUCT BE USED ONLY IN ACCORDANCE WITH THE FOLLOWING INSTRUCTIONS.

Please read and understand this entire manual before attempting to assemble, operate or install the product. This will ensure you receive the most enjoyable and trouble-free operation of your new wood pellet grill. We also advise you retain this manual for future reference.

DANGERS AND WARNINGS

You must contact your local home association, building or fire officials, or authority having jurisdiction, to obtain the necessary permits, mission or information on any installation restrictions, such as any grill being installed on a combustible surface, inspection requirements or even ability to use, in your area.

1. A minimum clearance of 914 mm (36 inches) from combustible constructions to the sides of the grill, and 914 mm (36 inches) from the back of the grill to combustible constructions must be maintained. **Do not install appliance on combustible floors, or floors protected with combustible surfaces unless proper permits and permissions are obtained by authorities having jurisdiction.** Do not use this appliance indoors, in an enclosed or unventilated area, inside homes, vehicles, tents, garages. This wood pellet appliance must not be placed under overhead combustible ceiling or overhang. Keep your grill in an area clear and free from combustible materials, gasoline and other flammable vapors and liquids.

Should a grease fire occur, turn the grill OFF and leave the lid closed until the fire is out. Unplug the power cord. Do not throw water on the unit. Do not try to smother the fire. Use of an all-class (class ABC) approved fire extinguisher is valuable to keep on site. If an uncontrolled fire does occur, call the Fire Department.

2. Keep electrical supply cords and the fuel away from heated surfaces. Do not use your grill in the rain or around any water source.
3. After a period of storage, or non-use, check the fire pot for obstructions, the hopper for foreign objects, and any air blockage around the fan intake or chimney. Clean before use. Regular care and maintenance is required to prolong the lifespan of your unit. **If the grill is stored outside during the rainy season or seasons of high humidity, care should be taken to insure that water does not get into the hopper.** When wet or exposed to high humidity, wood pellets will expand greatly, decompose, and may jam the feed system. Always disconnect the power, before performing any service or maintenance.

Do not transport your grill while in use or while the grill is hot. Ensure the fire is completely out and that the grill is completely cool to the touch before moving.

4. It is recommended to use heat-resistant barbecue mitts or gloves when operating the grill. Do not use accessories not specified for use with this appliance. Do not put a barbecue cover or anything flammable in the storage space area under the barbecue.
5. To prevent fingers, clothing or other objects from coming in contact with the auger feed system, the appliance is equipped with a metal safety screen, mounted to the interior of the hopper. This screen must not be removed unless directed by Customer Care or an authorized dealer.

This appliance is not recommended for children, persons with reduced physical, sensory or mental capabilities, or lack of experience and knowledge, unless they are under direct supervision or instruction by a person responsible for their safety.

6. Parts of the barbecue may be very hot, and serious injury may occur. Keep young children and pets away while in use.
7. Do not enlarge ignitor holes or fire pots. Failure to follow this warning could lead to a fire hazard and bodily harm and will void your warranty.
8. Product may have sharp edges or points. Contact may result in injury. Handle with care.

DISPOSAL OF ASHES

Ashes should be placed in a metal container with a tight-fitting lid. The closed container of ashes should be placed on a non-combustible floor or on the ground, well away from all combustible materials, pending final disposal. When ashes are disposed by burial in soil, or otherwise locally dispersed, they should be retained in a closed container until all cinders have thoroughly cooled.

WOOD PELLET FUEL

This pellet cooking appliance is designed and approved for pelletized, all natural, wood fuel only. Any other type of fuel burned in this appliance will void the warranty and safety listing. You must only use all natural wood pellets, designed for burning in pellet barbecue grills. Do not use fuel with additives. Wood pellets are highly susceptible to moisture and should always be stored in an airtight container. If you are storing your grill, without use, for an extended period, we recommend clearing all pellets from your grill's hopper and auger, to prevent jams. The pellet fuel mean heating value in 8000-8770 BTU/LB, ash content < 1%.

Do not use spirit, petrol, gasoline, lighter-fluid or kerosene for lighting or refreshing a fire in your grill. Keep all such liquids well away from the appliance when in use.

At the time of printing, there is no industry standard for barbecue wood pellets, although most pellet mills use the same standards to make wood pellets for domestic use. Further information, can be found at www.pelletheat.org or the *Pellet Fuel Institute*.

Contact your local dealer on the quality of pellets in your area, and for information on brand quality. As there is no control over the quality of pellets used, moisture affected pellets, we assume no responsibility to damage caused by poor quality of fuel.

CREOSOTE

Creosote, or soot, is a tar-like substance. When burning, it produces black smoke with a residue which is also black in color. Soot or creosote is formed when the appliance is operated incorrectly, such as: blockage of the combustion fan, failure to clean and maintain the burn area, or poor air-to-fuel combustion.

It is dangerous to operate this appliance should the flame become dark, sooty, or if the fire pot is overfilled with pellets. When ignited, this creosote makes an extremely hot and uncontrolled fire, similar to a grease fire. Should this happen, turn the unit OFF, let it cool completely, then inspect for maintenance and cleaning. It commonly accumulates along exhaust areas.

If creosote has formed within the unit; allow the unit to warm up at a low temperature, turn off the appliance, then wipe away any formation with a hand towel. Similar to tar, it is much easier to clean when warm, as it becomes liquid.

CARBON MONOXIDE ("THE SILENT KILLER")

Carbon monoxide is a colorless, odorless, tasteless gas produced by burning gas, wood, propane, charcoal or other fuel. Carbon monoxide reduces the blood's ability to carry oxygen. Low blood oxygen levels can result in headaches, dizziness, weakness, nausea, vomiting, sleepiness, confusion, loss of consciousness or death. Follow these guidelines to prevent this colorless, odorless gas from poisoning you, your family, or others:

- See a doctor if you or others develop cold or flu-like symptoms while cooking or in the vicinity of the appliance. Carbon monoxide poisoning, which can easily be mistaken for a cold or flu, is often detected too late.
- Alcohol consumption and drug use increase the effects of carbon monoxide poisoning.

Carbon monoxide is especially toxic to mother and child during pregnancy, infants, the elderly, smokers, and people with blood or circulatory system problems, such as anemia, or heart disease.

SAFETY LISTING

In accordance with the procedures and specifications listed in the UL 2728A-2019 "pellet fuel burning cooking appliances" and ULC/ORD C2728-19 "pellet fuel burning equipment." Pit Boss® Grills pellet cooking appliances have been independently tested and listed by CSA (an accredited testing laboratory) to UL and ULC standards.



FCC COMPLIANCE STATEMENT

This equipment complies with FCC radiation exposure limits set forth for an uncontrolled environment. This equipment should be installed and operated with a minimum distance of 20cm between the radiator and your body. This transmitter must not be co-located or operating in conjunction with any other antenna or transmitter. This device complies with Part 15 of FCC Rules. Operation is subject to the following two conditions: (1) This device may not cause harmful interference, and (2) This device must accept any interference received, including interference that may cause undesired operation.



This equipment has been tested and found to comply with the limits for a Class B digital device, pursuant to part 15 of FCC Rules. These limits are designed to provide reasonable protection against harmful interference in a residential installation. This equipment generates, uses, and can radiate radio frequency energy and, if not installed and used in accordance with the instructions, may cause harmful interference to radio communications. However, there is no guarantee that interference will not occur in a particular installation. If this equipment does cause harmful interference to radio or television reception, which can be determined by turning the equipment off and on, the user is encouraged to try to correct the interference by one or more of the following measures:

- Reorient or relocate the receiving antenna.
- Increase the separation between the equipment and receiver.
- Connect the equipment into an outlet on a circuit different from that to which the receiver is connected.
- Consult the dealer or an experienced radio/TV technician for help.

Caution: The user is cautioned that changes or modifications not expressly approved by the party responsible for compliance could void the user's authority to operate the equipment.

The Bluetooth® word mark and logo are registered trademarks owned by Bluetooth® SIG, Inc. and any use of such marks by Espressif is under license. Other trademarks and tradenames are those of their respective owners.

TABLE OF CONTENTS

Safety Information	2	Care & Maintenance	21
Parts & Specs.....	6	Using Wood Pellet Fuel.....	23
Assembly Preparation.....	7	Cooking Guidelines.....	23
Assembly Instructions		Tips & Techniques	25
Mounting The Legs To Main Barrel	7	Troubleshooting	26
Installing The Bottom Shelf	8	Electrical Wire Diagram	28
Adding Wheels To The Cart.....	8	Replacement Parts	
Installing The Lid Handle.....	8	Grill Replacement Parts	29
Assembling The Side Shelf.....	9	Hopper Replacement Parts.....	30
Mounting The Side Shelf.....	9	Warranty	
Securing The Chimney.....	9	Conditions.....	30
Securing The Front Shelf Brackets.....	10	Exceptions.....	31
Installing The Front Shelf	10	Ordering Replacement Parts	31
Placing The Diffuser Plate.....	10	Contact Customer Care	31
Installing The Flame Broiler Components	11	Warranty Service	31
Installing The Cooking Components	12	Recipes	32
Mounting The Rack Hanger.....	12		
Placing The Grease Bucket.....	12		
Connecting To A Power Source.....	13		
Operating Instructions			
Grill Environment	14		
Grill Temperature Ranges.....	15		
Understanding The Control Board	16		
Control Board Functions	18		
Connecting To The Smoke iT® App.....	19		
Hopper Priming Procedure	20		
First Use – Grill Burn-Off.....	20		
Automatic Start-Up Procedure.....	20		
Shutting Off Your Grill.....	20		



COPYRIGHT NOTICE

Copyright 2021. All right reserved. No part of this manual may be copied, transmitted, transcribed, stored in a retrieval system, in any form or by any means without expressed written permission of,

Dansons

3411 North 5th Avenue, Suite 500, Phoenix, AZ, USA 85013
 sales@pitboss-grills.com | service@pitboss-grills.com
www.pitboss-grills.com

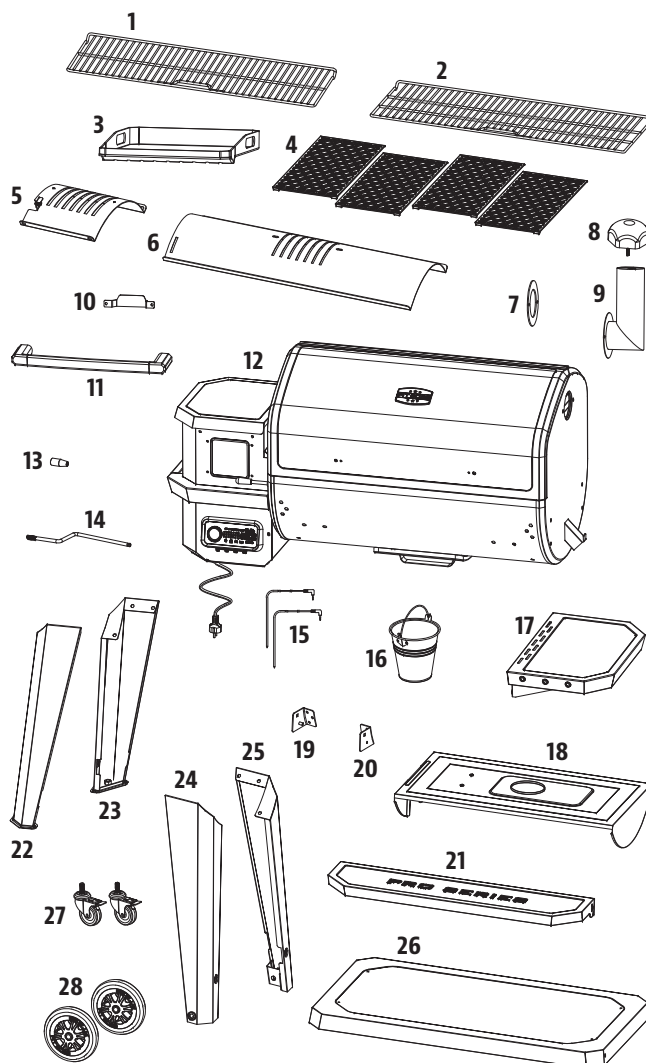
Customer Care

USA: (480) 923-9630 | CANADA (Toll Free): 1-877-942-2246

PARTS & SPECS

ENGLISH

Part#	Description
1	Top Cooking Rack (x1)
2	Middle Cooking Rack (x1)
3	Griddle (x1)
4	Cooking Grids (x4)
5	Flame Broiler Slider (x1)
6	Flame Broiler Main Plate (x1)
7	Chimney Gasket (x1)
8	Chimney Cap (x1)
9	Chimney Stack (x1)
10	Rack Hanger (x1)
11	Lid Handle (x1)
12	Main Barrel / Hopper Assembly (x1)
13	Flame Broiler Adjusting Bar Handle (x1)
14	Flame Broiler Adjusting Bar (x1)
15	Meat Probe (x2)
16	Grease Bucket (x1)
17	Side Shelf (x1)
18	Diffuser Plate (x1)
19	Front Shelf Bracket / Left (x1)
20	Front Shelf Bracket / Right (x1)
21	Front Shelf (x1)
22	Left Support Leg - Front (x1)
23	Left Support Leg - Back (x1)
24	Right Support Leg - Front (x1)
25	Right Support Leg - Back (x1)
26	Bottom Shelf (x1)
27	Locking Caster Wheels (x2)
28	Wheel (x2)
A	Screw (x28)
B	Washer (x24)
C	Locking Washer (x22)
D	Tool Hook (x3)
E	Wheel Cotter Pin (x2)
F	Wheel Washer (x2)
G	Wheel Axle Pin (x2)
H	Screw (x2)
I	Nut (x2)
J	Bushing (x2)



NOTE: Due to ongoing product development, parts are subject to change without notice. Contact Customer Care if parts are missing when assembling the unit.

PB – ELECTRIC REQUIREMENTS
110-120V, 60Hz, 275W, 3-PRONG GROUNDED PLUG

MODEL	ASSEMBLED (WxDxH)	WEIGHT	COOKING AREA	TEMPERATURE RANGE
PB PB1600PS1	1,587.5 MM x 813.5 MM x 1,400 MM 62.50 IN. x 32.03 IN. x 55.12 IN.	110.0 KG / 242.5 LB	TOP RACK - 2,474.8 CM ² / 383.6 SQ. IN. MIDDLE - 3,249.6 CM ² / 503.7 SQ. IN. MAIN - 4,587.1 CM ² / 711.0 SQ. IN. TOTAL - 10,311.5 CM ² / 1,598.3 SQ. IN.	82-260°C / 180-500°F

ASSEMBLY PREPARATION

Parts are located throughout the shipping carton, including underneath the grill. Inspect the grill, parts, and hardware blister pack after removing from the protective shipping carton. Discard all packaging materials from inside and outside of the grill before assembly, then review and inspect all parts by referencing the parts list. If any part is missing or damaged, do not attempt to assemble. Shipping damage is not covered under warranty. Contact your dealer or Pit Boss® Customer Care for parts.

service@pitboss-grills.com | USA: (480) 923-9630 | Canada (Toll Free): 1-877-942-2246

IMPORTANT: To ease installation, using two people is helpful (but not necessary) when assembling this unit.

Tools required for assembly: screwdriver and level. *Tools not included.*



ASSEMBLY INSTRUCTIONS

IMPORTANT: It is advised to read each step entirely before starting assembly on instructions. Do not tighten screws completely until all screws for that step have been installed. Hardware combination involving a locking washer and washer should be installed with the locking washer closest to the head of the screw.

1. MOUNTING THE LEGS TO THE MAIN BARREL

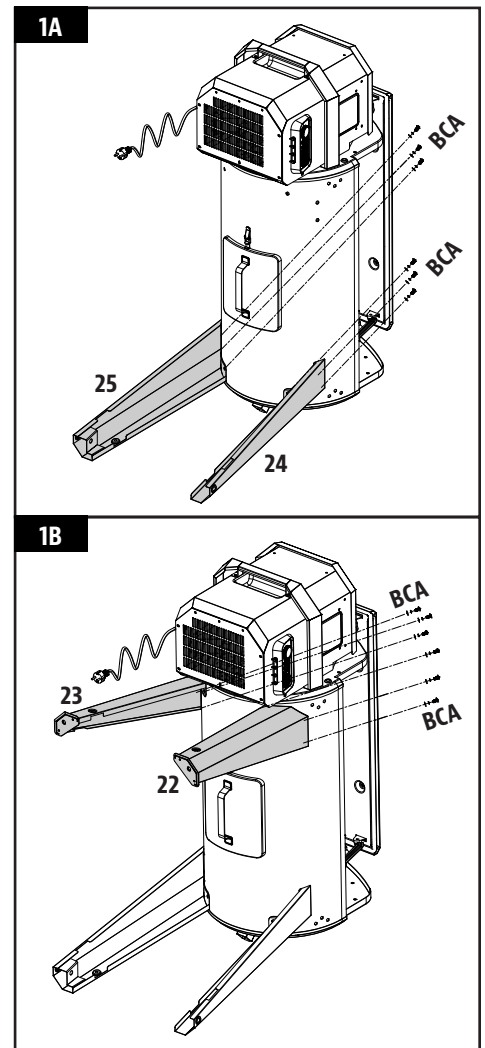
Parts Required:

- 1 x Main Barrel /Hopper Assembly (#12)
- 1 x Left Support Leg - Front (#22)
- 1 x Left Support Leg - Back (#23)
- 1 x Right Support Leg / Front (#24)
- 1 x Right Support Leg / Back (#25)
- 12 x Screw (#A)
- 12 x Washer (#B)
- 12 x Locking Washer (#C)

Installation:

- Place a piece of cardboard on the floor to prevent scratching the unit and parts during assembly. Lay the Main Barrel on its side on the cardboard, hopper end pointed upward.
- Mount the Front-Right Support Leg to the floor end of the Main Barrel using three screws, locking washers, and washers, through the three pre-drilled holes. Install screws from the inside of the Main Barrel. Repeat installation for Back-Right Support Leg. Note illustration 1A.
- Next, mount the Front-Left Support Leg to the hopper end of the Main Barrel using three screws, locking washers, and washers, through the three pre-drilled holes. Install screws from the inside of the Main Barrel. Repeat installation for Back-Left Support Leg. Note illustration 1B.

IMPORTANT: Do not tighten screws completely until bottom shelf is installed in next step.



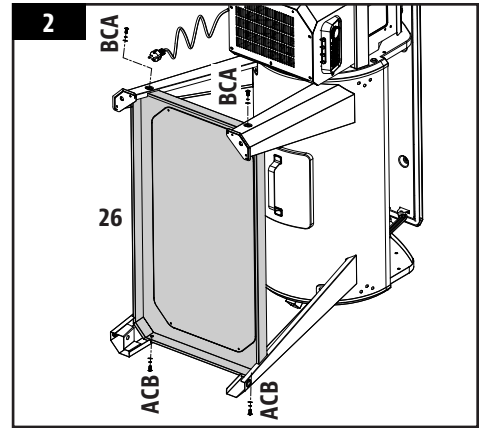
2. INSTALLING THE BOTTOM SHELF

Parts Required:

- 1 x Bottom Shelf (#26)
- 4 x Screw (#A)
- 4 x Washer (#B)
- 4 x Locking Washer (#C)

Installation:

- Mount the Bottom Shelf to each Support Leg using a screw, locking washer, and washer. Ensure the flat surface of the shelf is facing up towards the Grill Barrel.



3. ADDING WHEELS TO THE CART

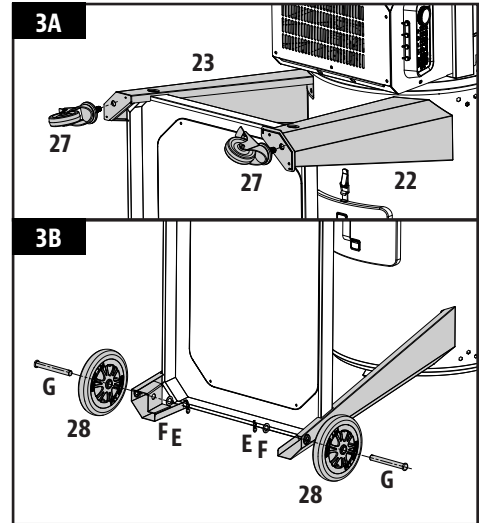
Parts Required:

- 2 x Locking Caster Wheels (#27)
- 2 x Wheel (#28)
- 2 x Wheel Cotter Pin (#E)
- 2 x Wheel Washer (#F)
- 2 x Wheel Axle Pin (#G)

Installation:

- Insert each Locking Caster Wheel into the bottom of each Left Support Leg by hand-tightening into the hole. Ensure that each Locking Caster Wheel is inserted completely. Note illustration 3A.
- Attach each Wheel to each Right Support Leg by inserting the Wheel Axle Pin through the Wheel, Support Leg hole, Wheel Washer, then secure using the Wheel Cotter Pin. Note illustration 3B.
- Once the shelf is secure, carefully lift the grill into an upright position.

IMPORTANT: Re-tighten the support leg screws to ensure they are completely secure after positioning the grill upright.



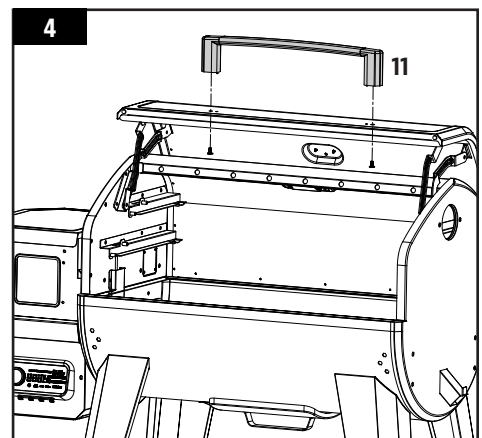
4. INSTALLING THE LID HANDLE

Parts Required:

- 1 x Lid Handle (#11)

Installation:

- Remove the pre-installed screws from the Lid Handle. From inside the barrel lid, insert one screw to protrude to the outside, then hand-tighten the screw (from the inside) into the Lid Handle. Repeat the same installation for the other end of Lid Handle.



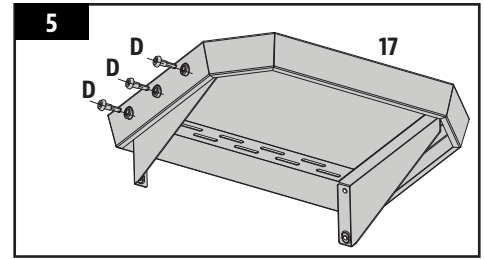
5. ASSEMBLING THE SIDE SHELF

Parts Required:

- 1 x Side Shelf (#17)
- 3 x Tool Hook (#D)

Installation:

- Turn the Side Shelf upside down. On the edge of the Side Shelf with three holes, install the tool hooks into each hole along the edge. The tool hooks will secure to the nut that is pre-mounted on the inside.



6. MOUNTING THE SIDE SHELF

Parts Required:

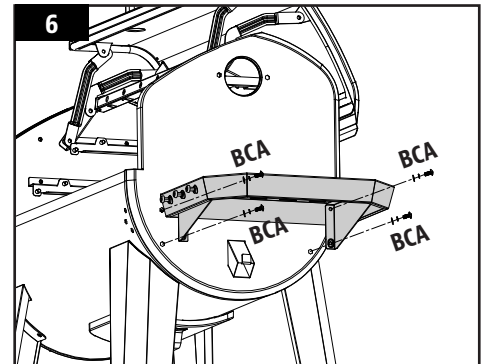
- 4 x Screw (#A)
- 4 x Locking Washer (#C)
- 4 x Washer (#B)

Installation:

- From underneath, fasten the Side Shelf to the side panel of the Main Barrel using four screws, locking washers, and washers.

NOTE: Do not tighten screws completely until all screws have been installed. Once all screws are installed, then tighten securely.

IMPORTANT: Avoid using the shelves to move or lift the grill. The weight of the unit will cause the shelves to break, which is not covered by warranty.



7. SECURING THE CHIMNEY

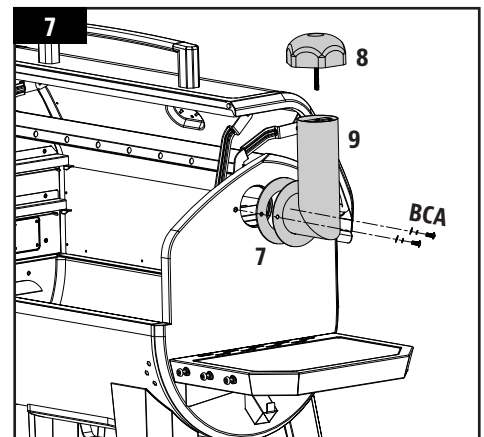
Parts Required:

- 1 x Chimney Gasket (#7)
- 1 x Chimney Cap (#8)
- 1 x Chimney Stack (#9)
- 2 x Screw (#A)
- 2 x Locking Washer (#C)
- 2 x Washer (#B)

Installation:

- Locate the chimney opening on the side of the Main Barrel. From the outside, secure the Chimney Stack and Chimney Gasket to the side panel using two screws, locking washers, and washers. The screw will fasten to the pre-mounted nut on the inside of the barrel.
- Next, secure the Chimney Cap onto the top of the Chimney Stack by rotating the Chimney Cap screw into the Chimney Stack.

NOTE: Adjust the chimney cap to affect the airflow inside the Main Grill. If cooking at low temperature, keep the cap more open. Ensure the chimney cap allows for air to escape.



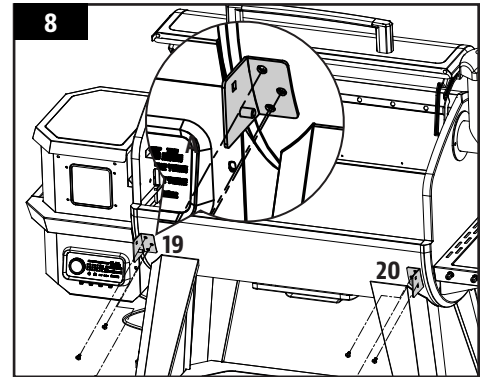
8. SECURING THE FRONT SHELF BRACKETS

Parts Required:

- 1 x Front Shelf Bracket / Left (#19)
- 1 x Front Shelf Bracket / Right (#20)
- 6 x Screw (#A)

Installation:

- Attach one Front Shelf Bracket to the front of the grill barrel by using three screws. Install each screw halfway, then tighten completely when all three screws are mounted and aligned properly.
- Repeat the same installation for the other Front Shelf Bracket.



9. INSTALLING THE FRONT SHELF

Parts Required:

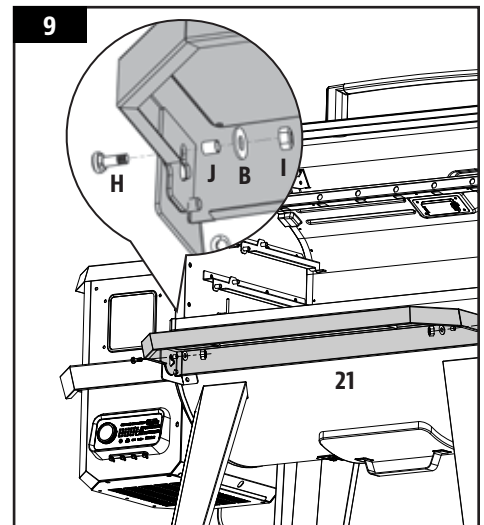
- 1 x Front Shelf (#21)
- 2 x Washer (#B)
- 2 x Screw (#H)
- 2 x Nut (#I)
- 2 x Bushing (#J)

Installation:

- From underneath, insert the screw (from the outside) into the Front Shelf Bracket and the Front Shelf, then add the bushing onto the screw, the washer, then the nut. Repeat installation for the other side of the Front Shelf.

NOTE: When installed correctly, the Front Shelf can be raised (for use) and lowered (for storage) with ease.

IMPORTANT: Avoid using the shelves to move or lift the grill. The weight of the unit will cause the shelves to break, which is not covered by warranty.



10. PLACING THE DIFFUSER PLATE

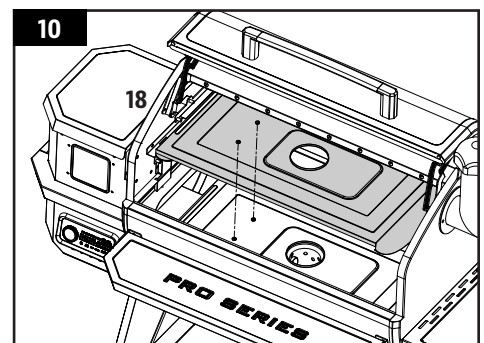
Parts Required:

- 1 x Diffuser Plate (#18)

Installation:

- Place the Diffuser plate into Main Barrel so the central opening aligns directly with the circular fire pot on the base of the Main Barrel.

NOTE: The Diffuser Plate does not require fastening.



11. INSTALLING THE FLAME BROILER COMPONENTS

Parts Required:

- 1 x Flame Broiler Slider (#5)
- 1 x Flame Broiler Main Plate (#6)
- 1 x Flame Broiler Adjusting Bar Handle (#13)
- 1 x Flame Broiler Adjusting Bar (#14)

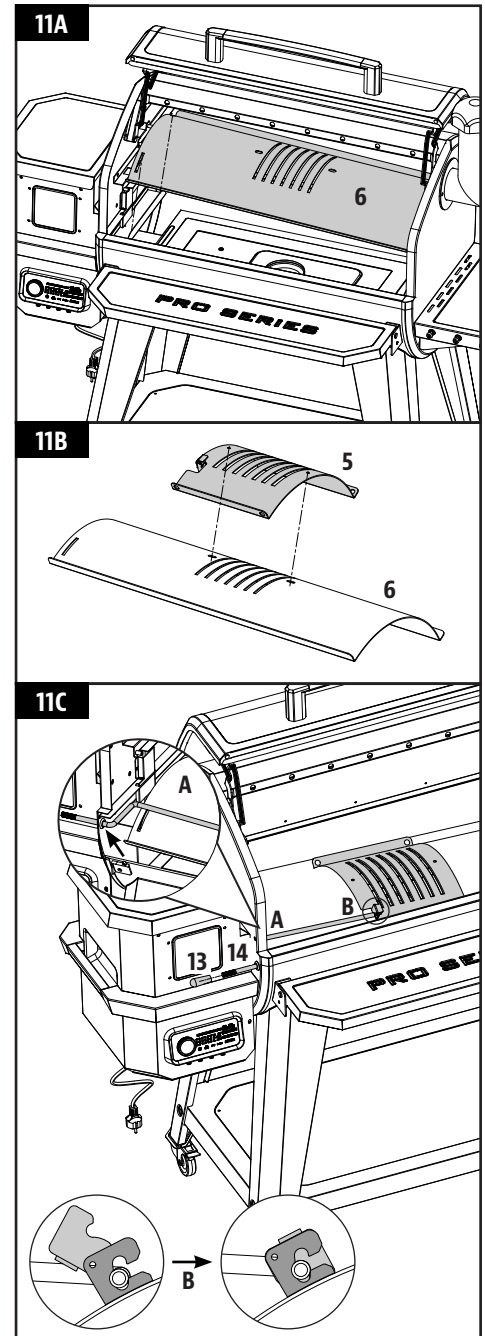
Installation:

- Insert the Flame Broiler Main Plate into the Main Grill, right side first. Rest the Flame Broiler Main Plate on the built-in ledge (on the inside right) of the Main Grill that directs grease towards the grease bucket. Slide the entire piece to the left side, and the two slots on the Flame Broiler Main Plate will fit into the rounded ledge above the fire pot. It will sit slightly at a downward angle. Note 11A.

IMPORTANT: If the Flame Broiler Main Plate is on the base of the barrel, it is installed incorrectly. The Flame Broiler Main Plate should sit at an angle, with the left side sitting higher than the right. Poor installation of this part may result in damage to your Main Grill barrel.

- Place the Flame Broiler Slider on top of the Flame Broiler Main Plate, covering the slotted openings. Ensure the raised tab is on the left, to easily adjust for direct or indirect flame when cooking. Note illustration 11B. Both Flame Broiler parts are lightly coated with oil to avoid rusting when shipped.
- Next, remove the Flame Broiler Adjusting Bar Handle from the Flame Broiler Adjusting Bar. Insert the Flame Broiler Adjusting Bar through the opening hole on the left side of the Main Barrel. Add the Flame Broiler Adjusting Bar Handle back onto the end outside the barrel. Next, slide the notched end of the Adjusting Bar into the locking tab on the Flame Broiler Slider, giving you adjustable access to the Flame Broiler Slider on the main plate. Note steps in 11C.

NOTE: When the Flame Broiler Slider is open and direct flame is used, do not leave the grill unattended for any period of time.



12. INSTALLING THE COOKING COMPONENTS

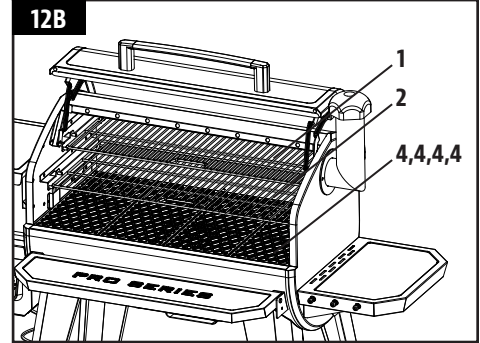
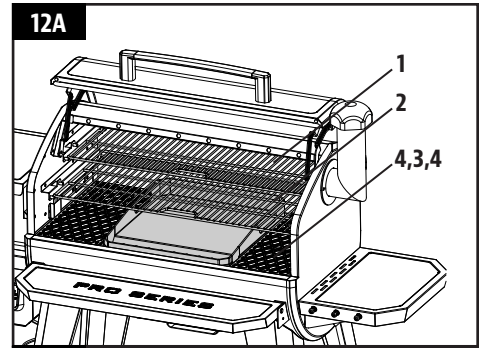
Parts Required:

- 1 x Top Cooking Rack (#1)
- 1 x Middle Cooking Rack (#2)
- 1 x Griddle (#3)
- 4 x Cooking Grids (#4)

Installation:

- Choose a desired main cooking surface: two Cooking Grids with the Griddle (shown in 12A) or four Cooking Grids (shown in 12B). Place the chosen combination of cooking surface on the lower grid ledges inside the Main Grill.
- Next, place the Middle Cooking Rack on the middle ledges inside the Main Grill. Place the Top Cooking Rack on the top ledges inside the Main Grill.

NOTE: To maintain the searing and grilling performance of your Cooking Grids and Cooking Racks, regular care and maintenance is required.



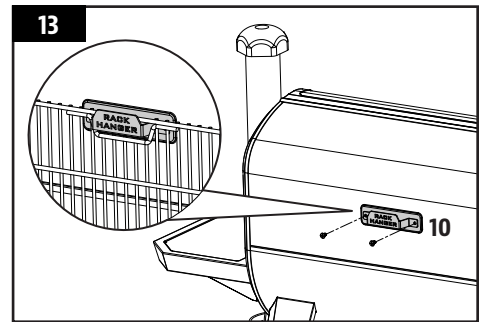
13. MOUNTING THE RACK HANGER

Parts Required:

- 1 x Rack Hanger (#10)

Installation:

- Secure the Rack Hanger to the back panel of the Main Barrel using the pre-assembly two screws. Cooking Racks can be hung on the Rack Hanger while not in use.



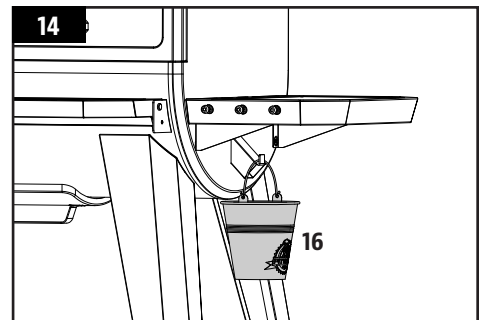
14. PLACING THE GREASE BUCKET

Parts Required:

- 1 x Grease Bucket (#16)

Installation:

- Place the Grease bucket on the spout hook on the end of the Main Barrel. Ensure it is level to avoid grease spills.
- The unit is now completely assembled.



15. CONNECTING TO A POWER SOURCE

- **STANDARD OUTLET**

This appliance requires 110-120 volt, 60Hz, 275w. It must be a 3-prong grounded plug. Ensure grounded end is not broken off before use. The control uses a 110-120 volt, fast-blow fuse to protect the board from the ignitor.

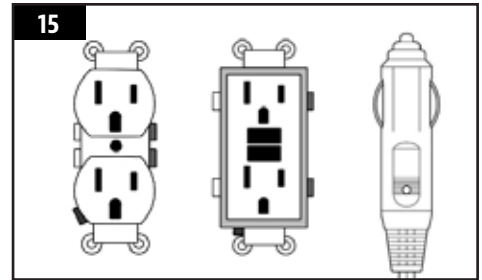
- **GFCI OUTLETS**

This appliance will work on most GFCI outlets, with a recommended size of 15 amp service. If your GFCI outlet is highly sensitive to power surges, it will likely trip during the start-up phase of operation. During the start-up phase, the ignitor draws 200-700 watts of electricity which can be too much power for a GFCI outlet to handle. Each time it trips, it increases in sensitivity. If the GFCI keeps tripping, replace the outlet or change to a non-GFCI outlet.

- **ON THE ROAD**

Disconnect the ignitor from the main wiring harness. Use the manual start-up procedure. A Pit Boss® unit can operate using a 12 volt, 100 watt inverter plugged into your automobile outlet. To use the automatic ignitor, it is recommended to use a minimum of a 1000 watt inverter.

IMPORTANT: Disconnect unit from power source when not in use.



OPERATING INSTRUCTIONS

With today's lifestyle of striving to eat healthy and nutritious foods, one factor to consider is the importance of reducing fat intake. One of the best ways to cut down on fat in your diet is to use a low fat method of cooking, such as grilling. As a pellet grill uses natural wood pellets, the savory wood flavor is cooked into the meats, reducing the need for high sugar content sauces. Throughout this manual, you will notice the emphasis on grilling food slowly at LOW or MEDIUM temperature settings.

GRILL ENVIRONMENT

1. WHERE TO SET-UP THE GRILL

With all outdoor appliances, outside weather conditions play a big part in the performance of your grill and the cooking time needed to perfect your meals.

All Pit Boss® units should keep a minimum clearance of 914 mm (36 inches) from combustible constructions, and this clearance must be maintained while the grill is operational. This appliance must not be placed under overhead combustible ceiling or overhang. Keep your grill in an area clear from combustible materials, gasoline and other flammable vapors and liquids.

2. COLD WEATHER COOKING

As it becomes cooler outside, that does not mean that grilling season is over! The crisp cool air and heavenly aroma of smoked foods will help cure your winter blues.

Follow these suggestions on how to enjoy your grill throughout the cooler months:

- If smoking at low temperatures fails, increase the temperature slightly to achieve the same results.
- Organize – Get everything you require ready in the kitchen before you head outdoors. During the winter, move your grill to an area that is out of the wind and direct cold. Check local bylaws regarding the proximity of your grill in relation to your home and/or other structures. Put everything you need on a tray, bundle up tight, and get it done!
- To help keep track of the outside temperature, place an outdoor thermometer close to your cooking area. Keep a log or history of what you cooked, the outdoor temperature, and the cooking time. This will help later down the road to help you determine what to cook and how long it will take.
- In very cold weather, increase your preheating time by at least 20 minutes.
- Avoid lifting the lid any more than necessary. Cold gusts of wind can completely cool your grill temperature. Be flexible with your serving time; add extra cooking time each time you open the lid.
- Have a heated platter or a dish cover ready to keep your food warm while making the trip back inside.
- Ideal foods for winter cooking are those that require little attention, such as roasts, whole chickens, ribs, and turkey. Make your meal preparation even easier by adding simple items such as vegetables and potatoes.

3. HOT WEATHER COOKING

As it becomes warmer outdoors, the cooking time will decrease.

Follow these few suggestions on how to enjoy your grill throughout the hot months:

- Adjust your cooking temperatures downward. This helps to avoid unwanted flare-ups.
- Use a meat thermometer to determine the internal temperature of your foods. This helps in preventing your meat from over cooking and drying out.
- Even in hot weather it is still better to cook with the lid of your grill down.
- You can keep foods hot by wrapping them in foil, and placing them in an insulated cooler. Stuff crumpled up newspaper around the foil and this will keep food hot for 3 to 4 hours.

GRILL TEMPERATURE RANGES

Temperature readouts on the control board may not exactly match the thermometer. All temperatures listed below are approximate and are affected by the following factors: outside ambient temperature, the amount and direction of wind, the quality of pellet fuel being used, the lid being opened, and the quantity of food being cooked.

- *HIGH TEMPERATURE (205-260°C / 401-500°F)*

This range is best used to sear and grill at a high heat. Use in tandem with the Flame Broiler (slide plate) for indirect or direct flame cooking. With the **Flame Broiler open**, direct flame is used to create those “blue” steaks, as well as flame-kissed vegetables, garlic toast or s’mores! When the **Flame Broiler is closed**, the air circulates around the barrel, resulting in convection heat. High temperature is also used to preheat your grill, burn-off the cooking grids, and to achieve high heat in extreme cold weather conditions.

- *MEDIUM TEMPERATURE (135-180°C / 275-356°F)*

This range is best for baking, roasting, and finishing off that slow smoked creation. Cooking at these temperatures will greatly reduce the chances of a grease flare-up. Ensure that the Flame Broiler Slider is in the closed position, covering the slotted openings. Great range for cooking anything wrapped in bacon, or where you want versatility with control.

- *LOW TEMPERATURE (82-125°C / 180-257°F)*

This range is used to slow roast, increase smoky flavor, and to keep foods warm. Infuse more smoke flavor and keep your meats juicy by cooking longer at a lower temperature (also known as **low and slow**). Highly recommended for the big turkey at Thanksgiving, juicy ham at Easter, or the huge holiday feast.

Smoking is a variation on true barbecuing and is truly the main advantage of grilling on a wood pellet grill. **Hot smoking**, another name for **low and slow** cooking, is generally done between 82-125°C / 180-257°F. Hot smoking works best when longer cooking time is required, such as large cuts of meats, fish, or poultry.

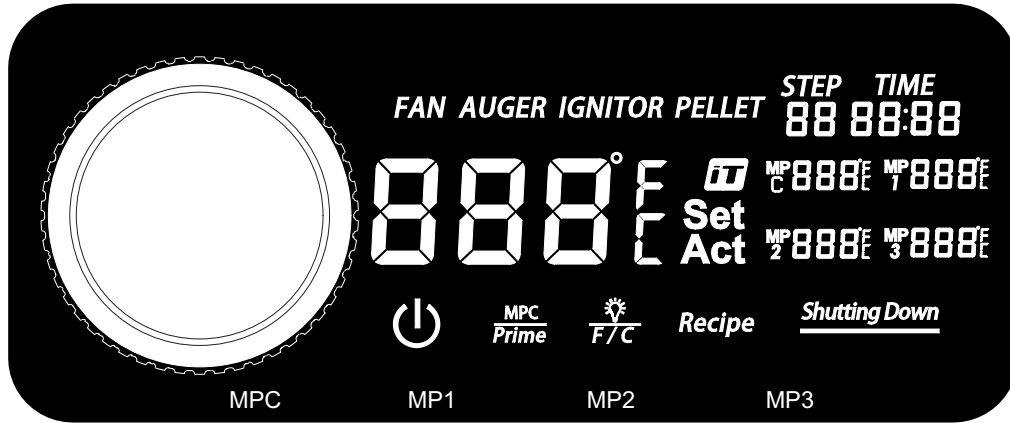
TIP: To intensify that savory flavor, switch to a low temperature range immediately after putting your food on the grill. This allows the smoke to penetrate the meats.






The key is to experiment with the length of time you allow for smoking, before the meal is finished cooking. Some outdoor chefs prefer to smoke at the end of a cook, allowing the food to keep warm until ready to serve. Practice makes perfect!


UNDERSTANDING THE CONTROL BOARD

This P.I.D. (proportional-integral-derivative) digital Control Board is very much the same as the controls on your kitchen oven. The main advantages are the ability to automatically compensate for the different ambient conditions and fuel types.

IMPORTANT: The temperature inside of any grill will vary greatly from location to location. Even instruments calibrated together may not agree with each other.



CONTROL	DESCRIPTION
	Press this button once to Power On the unit. This will begin the automatic start-up cycle. Press and hold this button for three seconds to Power-down the unit, activating the automatic cool-down cycle. The button will light up solid white when connected to a power source and when the unit is on.
	The Smoke iT® icon indicates a connectivity with Wi-Fi. When searching for a connection by Wi-Fi or via Bluetooth®, the Smoke iT® icon will blink. Once a Wi-Fi connection has been established, the Smoke iT® icon will stay solid. When connected, get live updates about the actual and set temperatures of the grill, cooking time, and meat probe temperatures. It also allows you to adjust the settings of your Control Board.
	This button has two functions: Temperature Units Switch and Light. <ol style="list-style-type: none"> 1. Quick push of this button to switch on and off the light inside the grill barrel. 2. Press and hold this button for three seconds to activate the Temperature Units Switch, changing the temperature readout. Change between Celsius (°C) and Fahrenheit (°F), as preferred. Default is set to Fahrenheit.
	This button has two functions: Meat Probe Control (MPC) and Prime Button. <ol style="list-style-type: none"> 1. The quick push of this button activates the Programmable Meat Probe - which is the first Meat Probe plug-in port (MPC). Use the Controller Knob to set the Programmable Meat Probe temperature. Press the Controller Knob again to confirm and exit the Programmable Meat Probe settings. 2. Press and hold this button for three seconds to activate a manual continuous feeding of pellets to the fire pot. Releasing the button will stop the manual feeding of pellets. This can be used to add more fuel to the fire before opening the barrel lid, resulting in a quick heat recovery. It can also be used while smoking, to increase the intensity of clean smoke flavor. This feature was requested from competition cookers.
	The Controller Knob is used to increase, decrease, and select a setting value. Rotate the Controller Knob to select the time, temperature, or step in an active settings menu. Push the Controller Knob to confirm the chosen value.

	<p>The central readout displays both the Actual and Set temperatures. The Actual temperature is constantly displayed unless the Set temperature is being adjusted. The Actual temperature is the temperature from inside the Main Barrel. The Actual temperature readout is taken by the grill probe (sensor) from the inside of the grill barrel.</p> <p>To show the Set temperature, press the Controller Knob. The Set temperature is active when the readout is blinking. To adjust the Set temperature, rotate the Controller Knob, as needed. Once the desired Set temperature is reached, press the Controller Knob to confirm the Set temperature, then the readout will return back to the Actual Temperature.</p>
<p>Recipe</p>	<p>Press the button once to activate the Recipe Steps. There are nine Recipe Steps available to set. Adjust the settings of each Recipe Step by using the Controller Knob.</p>
<p>STEP 88</p>	<p>Displays the current Recipe Step.</p>
<p>TIME 88:88</p>	<p>Displays the Time set during the Recipe Step. Press the Recipe Button to activate the Recipe settings. Use the Controller Knob to switch through the Recipe Steps, one being the Time.</p>
<p>MP C 888°F</p>	<p>Displays the Actual and Set temperature of the Programmable Meat Probe - which is the first Meat Probe plug-in port (MPC). The Actual temperature is constantly displayed unless the Set temperature is being adjusted. When the MPC Button is pressed, the selected Meat Probe readout will blink and the Set temperature can be adjusted. When not in use, disconnect the Meat Probe from the connection port and code "noP" will be displayed. Compatible with Pit Boss® Grills branded meat probes only.</p>
<p>MP 7 888°F MP 2 888°F MP 3 888°F</p>	<p>Displays the Actual temperature of a Meat Probe. These three Meat Probe readouts correspond with the plug-in connection port selected. When not in use, disconnect the Meat Probe from the connection port and code "noP" will be displayed. Compatible with Pit Boss® Grills branded meat probes only.</p>
<p><u>Shutting Down</u></p>	<p>This readout is displayed after Power-down has been selected. It indicates that the automatic cool-down cycle has started. Once the cool-down cycle is completed, the readout will no longer be visible.</p>
<p>FAN</p>	<p>The FAN icon is visible when the fan is in operation. When the central readout has an error code (Err) and the FAN icon is blinking, the Fan is not working. See the section on troubleshooting for assistance.</p>
<p>AUGER</p>	<p>The AUGER icon is visible when the auger is turning. When the central readout has an error code (Err) and the AUGER icon is blinking, the auger is not working. See the section on troubleshooting for assistance.</p>
<p>IGNITOR</p>	<p>The IGNITOR icon is visible when the ignitor is in use. When the central readout has an error code (Err) and the IGNITOR icon is blinking, the ignitor is not working. See the section on troubleshooting for assistance.</p>
<p>PELLET</p>	<p>When the central readout has an error code (Err) and the PELLET icon is visible, the fire in the fire pot has gone out or the hopper may be empty. See the section on troubleshooting for assistance.</p>

CONTROL BOARD FUNCTIONS

• *SETTING THE GRILL TEMPERATURE*

The Grill Probe measures the internal temperature of the Main Barrel. When the Set temperature is adjusted, the Grill Probe will read the Actual temperature inside the Main Barrel and adjust to the desired Set temperature.

IMPORTANT: The temperature of your unit is highly dependent on ambient outdoor weather, quality of pellets used, flavor of pellets, and the quantity of food being cooked.

SETTING/ADJUSTING THE SET TEMPERATURE

To adjust the desired Set temperature of the grill, follow the steps below:

1. Press the Controller Knob. This will make the Set temperature readout blink, to show it is active.
2. Use the Controller Knob again to adjust to your desired temperature.
3. Once the desired Set temperature is reached, press the Controller Knob to confirm the Set temperature, then the readout will return back to the Actual Temperature.

• *USING THE PROGRAMMABLE MEAT PROBE*

The meat probe measures the internal temperature of the meat on the grill, similar to your indoor oven. Insert the stainless-steel meat probe into the thickest portion of the meat. The internal temperature of the meat is shown on the Control Board readout. Plug-in the Meat Probe adapter to the meat probe connection port and ensure it is inserted all the way into the plug. You will feel and hear it snap in place. Not only will it cook the meat to your desired temperature, but it will automatically reduce your grill temperature to low (82°C / 180°F) to keep food warm until ready to serve. Just set it, then relax while the Meat Probe does the rest!

NOTE: When placing the meat probe into your meat, ensure the meat probe and meat probe wires avoid direct contact with flame or excess heat. This can result in damage to your meat probe. Run the excess wire out the rear exhaust holes of the Main Barrel, the top of the Main Barrel (near the grill lid hinge), or through the front hole near the hopper. When not in use, disconnect from the meat probe connection port, and place in the holes on the hopper handle to keep protected and clean.

SETTING/ADJUSTING THE PROGRAMMABLE MEAT PROBE

To program the desired Set temperature of the Programmable Meat Probe, follow the steps below:

1. Quick press the MPC button to activate the Programmable Meat Probe. When active, the temperature readout of the Meat Probe will blink.
2. Use the Controller Knob to adjust to the desired Set temperature.
3. Once the desired Set temperature of your selected Meat Probe is reached, press the Controller Knob again to confirm and exit the Programmable Meat Probe settings.

• *SETTING UP A RECIPE*

The Recipe function allows the user to program cooking instructions, known as Recipe Steps, for the Control Board to follow and automatically run. These cooking instructions are a combination between Cooking temperature and Time. Starting from the first Recipe Steps (01), the Control Board will cycle through each Recipe Steps to cook the meal. When all the Recipe Steps are complete, the Control Board will automatically switch to a low temperature of 82°C / 180°F so that the meal stays warm until ready to serve. There are a total of nine Recipe Steps available to be programmed.

HOW TO PROGRAM A RECIPE STEP

To set one or more of the Recipe Steps, follow the steps below:

1. Press and hold the Recipe Button. This will make the Recipe Button blink to show the Recipe settings are active. This will also activate the Recipe Steps and the letter 'S' will be on to show it is active.
 - Use the Controller Knob to select the Recipe Step. Start with the first Recipe Step (01).
 - When desired Recipe Step is reached, press the Controller Knob to go to next setting.
 2. Set the Time hours. The hours of the Time readout will blink, to show it is selected.
 - Use the Controller Knob to select the hours desired.
 - When desired hours are reached, press the Controller Knob to go to next setting.
 3. Set the Time minutes. The minutes of the Time readout will blink, to show it is selected.
 - Use the Controller Knob to select the minutes desired.
 - When desired minutes are reached, press the Controller Knob to go to next setting.
 4. Set the Temperature. The central temperature readout will blink, to show it is selected.
 - Use the Controller Knob to select the desired temperature.
 - When desired temperature is reached, press and hold the Recipe Button to lock in all Recipe settings for that Recipe Step.
 - To set another Recipe Step, quick press the Recipe Button to select another Recipe Step, programming a multiple Recipe Step cook. Repeat steps above, as desired.
- Or,
- Press and hold the Recipe Button a second time to exit the Recipe settings and run the Recipe. The Recipe Button will stop blinking.

NOTE: The Recipe Steps will reset when the unit is shut-down / turned off.

CONNECTING TO THE SMOKE IT® APP

Follow these instructions on how to connect your grill to the Smoke iT® app with your Android™ or iOS® device. The app will allow you to control and monitor your grill and meat probe temperatures from your mobile device. Enjoy the benefits that Smoke IT® mobile connectivity has to offer!

1. Download the Smoke iT® app. Open the app and allow Bluetooth® to be enabled for setup. New users will need to create an account and follow the prompts to login.
2. If you are within Bluetooth® range (9 m / 30 ft), the Smoke iT® app will automatically detect your grill. Select your grill model. If you do not see your grill on the screen, ensure your unit is connected to a power source and is turned on.
3. Name your grill model (ie. My Smoker) in the app and select "Connect" at the bottom of the screen. This will save your grill model in the devices menu.
4. From the devices menu, click the grill model to connect. This will show you the control board screen.
5. Click the settings option (gear) in the top-right corner, enter your Wi-Fi credentials, then click the check mark at the bottom of the screen to connect. Now both Bluetooth® and Wi-Fi (cloud) icons will show on the devices menu, showing that the grill is connected.

While using the app, the screen will shine bright when the grill is active and connected. If the app screen or grill goes dark on the devices menu, check your wireless connection or power source.

HOPPER PRIMING PROCEDURE

These instructions should be followed the first time the grill is ignited, and each time the grill runs out of pellets in the hopper. The auger must be primed to allow pellets to travel through the length of the auger, and fill the feed system. **If not primed, the ignitor will timeout before the pellets are ignited, and no fire will start.** Follow these steps to prime the hopper:

1. Open the Main Barrel lid. Remove all cooking components from the interior of the grill. Locate the fire pot in the bottom of the Main Barrel. Check the fire pot to ensure there is no obstruction for proper ignition.
2. Plug the power cord into a power source. Press the Power button to Power On the unit. Check the following items:
 - That you can hear the auger turning. Place your hand above the fire pot and feel for air movement. Do not place your hand or fingers inside the fire pot. This can cause injury.
 - After approximately a minute, you should smell the ignitor burning and begin to feel the air getting warmer in the fire pot. The ignitor tip does not glow red, but gets extremely hot and will burn. Do not touch the ignitor.
3. Once verified that all electric components are working correctly, press the Power Button to turn the unit off.
4. Open the hopper lid. Ensure there are no foreign objects in the hopper or auger feed system. Fill the hopper with dry, all natural barbecue hardwood pellets.
5. Press the Power Button to turn the unit on again. The grill start-up cycle has a preset temperature of 176°C / 350°F, so it will begin to heat up. Press and hold the Prime Button until you see pellets on the inside of the grill from the auger tube. Once pellets begin to drop into the fire pot, release the Prime Button.
6. Press the Power Button to turn the unit off.
7. Re-install the cooking components into the Main Barrel. The grill is now ready to use.

FIRST USE – GRILL BURN-OFF

Once your hopper has been primed and before cooking on your grill for the first time, it is important to complete a grill burn-off. Start the grill and operate at any temperature over 176°C / 350°F (with the lid down) for 30 to 40 minutes to burn-off the grill and rid it of any foreign matter.

AUTOMATIC START-UP PROCEDURE

1. Plug the power cord into a grounded power source. Open the Main Barrel lid. Check the fire pot to ensure there is no obstruction for proper ignition. Open the hopper lid. Ensure there are no foreign objects in the hopper or auger feed system. Fill the hopper with dry, all natural barbecue hardwood pellets.
2. Press the Power Button to turn the unit on. This will activate the start-up cycle. The auger feed system will begin to turn, the ignitor will begin to glow and the fan will supply air to the fire pot. The grill will begin to produce smoke while the start-up cycle is taking place. The barrel lid must remain open during the start-up cycle. To confirm the start-up cycle has begun properly, listen for a torchy roar, and notice some heat being produced.
3. Once the heavy, white smoke has dissipated, the start-up cycle is complete and you are ready to enjoy your grill at your desired temperature!

SHUTTING OFF YOUR GRILL

1. When finished cooking, with the Main Barrel lid remaining closed, press and hold the the Power Button for three seconds to Power-down the unit. The grill will begin its automatic cool-down cycle. The auger system will stop feeding fuel, the flame will burn out, and the fan will continue to run until the cool-down cycle is complete.

CARE AND MAINTENANCE

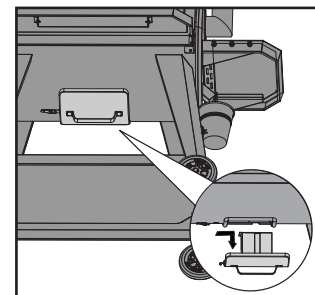
WARNING: Always disconnect the electrical cord prior to opening the grill for any inspection, cleaning, maintenance or service work. Ensure the grill is completely cooled to avoid injury.

Any Pit Boss® unit will give you many years of flavorful service with minimum cleaning. Follow these cleaning and maintenance tips to service your grill:

1. ASH CLEAN-OUT

- At the bottom of the grill barrel is an ash cleanout feature, giving you easy access to the inside of your fire box to easily clean it as often as needed. To empty, release the buckle latch on the ash box hook. While holding the handle, slide the ash box away from the buckle, then pull down to remove. Once emptied, replace the ash box by lifting it back into the bottom of the grill barrel, sliding the ash box towards the buckle, then fastening the ash box hook with the buckle latch.

WARNING: This feature can only be operated when the grill is cooled down.



2. HOPPER ASSEMBLY

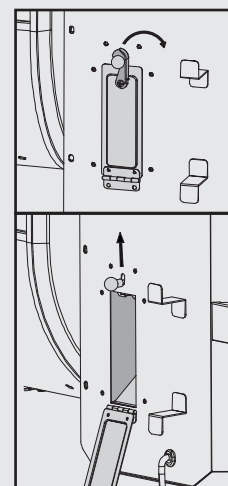
- Running all pellets out of your auger system is recommended if your grill will be unused for an extended period of time. This can be done by simply running your grill, on an empty hopper, until all pellets have emptied from the auger tube.
- Check and clean off any debris from the fan air intake vent, found on the bottom of the hopper. Once the hopper access panel is removed (see **Electric Wire Diagram** for diagram), carefully wipe off any grease build-up directly on the fan blades. This ensures airflow is sufficient to the feed system.

HOPPER CLEAN-OUT FEATURE

The hopper includes a clean-out feature to allow for easy cleaning and the ability to change out wood pellet fuel flavors. To empty, follow these steps:

- Locate the clean-out door and door hook on the back side of the hopper.
- Rotate the door hook (at the top) to the right so it is detached from the release latch rod. Place a clean, empty pail under the clean-out door and allow the door to lower. Lift the release latch rod to open the drop-chute plate, allowing the pellets from the hopper to empty.
- Once empty, push the drop-chute plate back up into place by hand. It will lock into place. Close the clean-out door and rotate the door hook back onto the release latch rod to secure.

NOTE: Use a long handled brush or shop-vac to remove excess pellets, sawdust, and debris for a complete clean-out through the hopper screen.



3. PROBES

- Kinks or folds in the probe wires may cause damage. A meat probe not in use should be rolled up in a large, loose coil.
- Although both the grill probe and the meat probes are stainless steel, do not place in the dishwasher or submerge in water. Water damage to the internal wires will cause a probe to short-out, causing false readings. If a probe is damaged, it should be replaced.

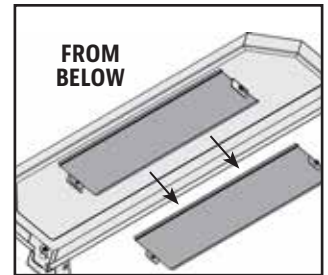
4. *INSIDE SURFACES*

- It is recommended to clean your fire pot after every few uses. This will ensure proper ignition and avoid any hard build-up of debris or ash in the fire pot.
- Use a long-handled grill cleaning brush, remove any food or build-up from the cooking grids. Best practice is to do this while they are still warm from a previous cook. Grease fires are caused by too much fallen debris on the cooking components of the grill. Clean the inside of your grill on a consistent basis. In the event you experience a grease fire, keep the grill lid closed to choke out the fire. If the fire does not go out quickly, carefully remove the food, turn the grill off, and shut the lid until the fire is completely out. Lightly sprinkle baking soda, if available.
- Check your grease bucket often, and clean out as necessary. Keep in mind the type of cooking you do.

IMPORTANT: Due to high heat, do not cover the Flame Broiler or probes with aluminum foil.

5. *OUTSIDE SURFACES*

- The front shelf includes a removable panel underneath for ease of cleaning. From below, push the backing plate towards the Main Barrel to remove. Clean, then replace by sliding back into place.
- Wipe your grill down after each use. Use warm soapy water to cut the grease. Do not use oven cleaner, abrasive cleansers or abrasive cleaning pads on the outside grill surfaces. **All painted surfaces are not covered under warranty, but rather are part of general maintenance and upkeep.** For paint scratches, wearing, or flaking of the finish, all painted surfaces can be touched up using high heat BBQ paint.
- Use a grill cover to protect your grill for complete protection! A cover is your best protection against weather and outside pollutants. When not in use or for longterm storage, keep the unit under a cover in a garage or shed.




CLEANING FREQUENCY TIME TABLE (NORMAL USE)

ITEM	CLEANING FREQUENCY	CLEANING METHOD
Bottom of Main Grill	Every 5-6 Grill Sessions	Scoop Out, Shop-Vac Excess Debris
Fire pot	Every 2-3 Grill Sessions	Scoop Out, Shop-Vac Excess Debris
Cooking Grids	After Each Grill Session	Burn Off Excess, Brass Wire Brush
Flame Broiler	Every 5-6 Grill Sessions	Scrape Main Plate with Slider, Do Not Wash Clean
Shelves	After Each Grill Session	Scrub Pad & Soapy Water
Grease Bucket	After Each Grill Session	Scrub Pad & Soapy Water
Auger Feed System	When Pellet Bag is Empty	Allow Auger to Push Out Sawdust, Leaving Hopper Empty
Hopper Electric Components	Once A Year	Dust Out Interior, Wipe Fan Blades with Soapy Water
Air Intake Vent	Every 5-6 Grill Sessions	Dust, Scrub Pad & Soapy Water
Grill Probe	Every 2-3 Grill Sessions	Scrub Pad & Soapy Water

USING WOOD PELLET FUEL

Clean-burning barbecue wood pellets generate about 8200 BTU's per pound with very little ash, a low moisture content (5-7%), and are carbon neutral. Barbecue wood pellets are produced by pure raw material (sawdust) being pulverized with a hammer-mill, and the material is pushed through a die with pressure. As the pellet is forced through the die, it is cut, cooled, screened, vacuumed, and then bagged for consumer use. Check with your local dealer for flavors available in your area.

-  **HICKORY BLEND**
-  **CHERRY BLEND**
-  **MESQUITE BLEND**
-  **COMPETITION BLEND**
-  **APPLE BLEND**

NOTE: Always store wood pellets in a dry area. Any contact or exposure to moisture will result in lower heat output or cause the pellets to swell and break apart. Use a moisture proof, resealable tub or bucket for proper storage.

COOKING GUIDELINES

Smoking and grilling styles of cooking can give you different results based on time and temperature. For best results, keep a record of what you cooked, at what temperature, how long you cooked for, and the results. Adjust to your taste for the next time. Practice makes perfect.

The culinary art of hot smoking refers to longer cooking times, but results in more natural wood flavor (and a sought-after *smoke ring*) on your meats. Higher cooking temperatures result in a shorter cooking time, locking in less smoke flavor.

TIP: For best results, allow time for meats to rest after cooking. This allows the natural juices to migrate back into the meat fiber, giving a much juicier, flavorful cut. Resting times can be as little as 3 minutes and up to 60 minutes, depending on the size of the protein.

STYLE OF COOKING	HOT SMOKING (Very Low)	ROAST (Low)	BAKING (Medium)	GRILL/BAKE (Medium/High)	SEAR (High)
Temp Range	93-135°C / 199-275°F	135-162°C / 275-323°F	162-190°C / 323-374°F	190-232°C / 374-449°F	232-260°C / 449-500°F

POULTRY	Size	Rare - 54°C / 130°F	Medium - 60°C / 140°F	Well Done - 77°C / 170°F
Turkey (<i>whole</i>)	4.5-5.0 kg / 10-11 lbs. 5.3-6.4 kg / 12-14 lbs. 6.8-7.7 kg / 15-17 lbs. 8.2-10.0 kg / 18-22 lbs. 10.4-11.3 kg / 23-25 lbs.			Grill 90 - 120 minutes Grill 110 - 140 minutes Grill 130 - 160 minutes Grill 140 - 170 minutes Grill 150 - 180 minutes
Chicken (<i>whole</i>)	1.36-2.26 kg / 3-5 lbs.			Grill 1 - 1.5 hours
Drumsticks, Breasts	0.45 - 0.86 kg / 1 - 1½ lbs.			Grill 30-60 minutes
Small Game Birds	0.45 - 0.86 kg / 1 - 1½ lbs.			Grill 30-45 minutes
Duck	1.36-2.26 kg / 3-5 lbs.			Roast or grill 2 - 2.5 hours

PORK	SIZE	Precooked to Reheat 60°C / 140°F	Medium 66°C / 150°F	Well Done 71°C / 160°F
Ham <i>(Fully Cooked & Boneless Portion, Smoked Picnic Whole & Bone-In)</i>	2.5 cm / 1" 1.36-1.81 kg / 3-4 lbs. 1.81-2.72 kg / 4-6 lbs. 2.26-3.62 kg / 5-8 lbs. 4.53-5.44 kg / 10-12 lbs.	12 minutes 50 minutes - 1 hour 1 - 2 hours 1 - 2½ hours 2 - 2¾ hours		
Loin Roast	1.36-1.81 kg / 3 - 4 lbs.		1 - 2 hours	2 - 3 hours
Rib Crown Roast	1.81-2.26 kg / 4 - 5 lbs.		1½ - 2 hours	2 - 3 hours
Chop <i>(loin, rib)</i>	1.9-2.5 cm / ¾" - 1" 3.1-3.9 cm / 1¼" - 1½"		10 - 12 minutes 14 - 18 minutes	
Tenderloin	1.9-2.5 cm / ¾" - 1"		20 - 30 minutes	30 - 45 minutes
Loin Roast (boneless)	1.36-2.26 kg / 3-5 lbs.		1¼ - 1¾ hours	1¾ - 2½ hours
Boston Butt <i>(Pork Shoulder)</i>	3.62-4.53 kg / 8-10 lbs.			93 - 98°C / 200 - 210°F Internal Temperature

BEEF	SIZE	HEAT	Rare - 54°C / 130°F	Medium - 60°C / 140°F	Well Done - 65°C / 150°F
Steak (New York, Porter-house, Rib-eye, Sirloin, T-bone, or Tenderloin)	1.9 cm / ¾" 2.5 cm / 1" 3.8 cm / 1½" 5 cm / 2"	High	Sear 8-10 minutes Sear 10-12 minutes Sear 10 minutes, grill 8-10 minutes Sear 10 minutes, grill 10-14 minutes		
Skirt Steak	0.6 - 12.7 cm / ¼" - ½"	High	Sear 5-7 minutes		
Flank Steak	0.45 - 0.86 kg / 1 - 1½ lbs., 1.9 cm / ¾"	Medium	Sear 4 minutes, grill 8-10 minutes		
Kabob	2.5 - 3.8 cm / 1-1½" cubes	Medium	Grill 10 - 12 minutes		
Tenderloin, whole	1.58 - 1.81 kg / 3½ - 4 lbs.	High/Medium	Sear 10 minutes, grill 15-20 minutes		
Ground Beef Patty	1.9 cm / ¾"	High/Medium	Sear 4 minutes, grill 4-6 minutes		
Rib-eye Roast (boneless)	2.26 - 2.72 kg / 5 - 6 lbs.	Medium	Grill 1½ - 2 hours		
Tri-tip Roast	0.9 - 1.13 kg / 2 - 2½ lbs.	High/Medium	Sear 10 minutes, grill 20-30 minutes		
Rib Roast	5.44 - 6.35 kg / 12 - 14 lbs.	Medium	2½ - 2¾ hours		
Veal Loin Chop	2.5cm / 1"	Medium	10 - 12 minutes direct		
Brisket	7.25 - 3.62 kg / 16 -18 lbs.	Hot Smoke	Cook until internal temperature reaches 91°C / 195°F		

LAMB	Size	Rare - 54°C / 130°F	Medium - 60°C / 140°F	Well Done - 71°C / 160°F
Roast (fresh)	2.26 - 2.72 kg / 5 - 6 lbs.		1 - 2 hours	
Rib Crown Roast	1.36-2.26 kg / 3-5 lbs.		1 - 1½ hours	1½ hours

SEAFOOD	Size	Rare - 54°C / 130°F	Medium - 60°C / 140°F	Well Done - 82°C / 180°F
Fish (whole)	0.5 kg / 1 lb. 0.9 - 1.1 kg / 2 - 2½ lbs. 1.4 kg / 3 lbs.			Grill 10 - 20 minutes Grill 20 - 30 minutes Grill 30 - 45 minutes
Fish (filets)	0.6-1.3 cm / ¼" - ½"			Grill 3 - 5 minutes, until flaky
Lobster Tail	0.15 kg / 5 oz. 0.3 kg / 10 oz.			Grill 5 - 6 minutes Grill 10 - 12 minutes

WILD GAME	Size	Rare - 60°C / 140°F	Medium - 71°C / 160°F	Well Done - 77°C / 170°F
Roast (fresh)	2.26 - 2.72 kg / 5 - 6 lbs.		1 - 1½ hours	1½ - 2 hours
Large Cuts (fresh)	3.62-4.53 kg / 8-10 lbs.		1 hours	1½ hours

TIPS & TECHNIQUES

Follow these helpful tips and techniques, passed on from Pit Boss® owners, our staff, and customers just like you, to become more familiar with your grill:

1. *FOOD SAFETY*

- Keep everything in the kitchen and cooking area clean. Use different platters and utensils for the cooked meat than the ones you used to prepare or transport the raw meat out to the grill. This will prevent cross contamination of bacteria. Each marinade or basting sauce should have its own utensil.
- Keep hot foods hot (above 60°C / 140°F), and keep cold foods cold (below 3°C / 37°F).
- A marinade should never be saved to use at a later time. If you are going to use it to serve with your meat, be sure to bring it to a boil before serving.
- Cooked foods should not be left out in the heat for more than an hour. Do not leave hot foods out of refrigeration for more than two hours.
- Defrost and marinate meats by refrigeration. Do not thaw meat at room temperature or on a counter top. Bacteria can grow and multiply rapidly in warm, moist foods. Wash hands thoroughly with hot, soapy water before starting any meal preparation and after handling fresh meat, fish and poultry.

2. *COOKING PREPARATION*

- Be prepared, or ***Mise en Place***. This refers to preparing the cooking recipe, fuel, accessories, utensils, and all ingredients you require at grill side before you start cooking. Also, read the entire recipe, start to finish, before lighting the grill.
- A BBQ floor mat is very useful. Due to food handling accidents and cooking spatter, a BBQ floor mat would protect a deck, patio, or stone platform from the possibility of grease stains or accidental spills.

3. *GRILLING TIPS AND TECHNIQUES*

- To infuse more smoke flavor into your meats, cook longer and at lower temperatures (also known as ***low and slow***). Meat will close its fibers after it reaches an internal temperature of 49°C / 120°F. Misting, or mopping, are great ways to keep meat from drying out.
- While searing your meats, cook with the lid down. Always use a meat thermometer to determine the internal temperature of the foods you are cooking. Smoking foods with hardwood pellets will turn meats and poultry pink. The band of pink (after cooking) is referred to as a ***smoke ring*** and is highly prized by outdoor chefs.
- Sugar-based sauces are best applied near the end of cooking to prevent burning and flare-ups.
- Leave open space between the foods and the extremities of the barrel for proper heat flow. Food on a crowded grill will require more cooking time.
- Use a set of long-handled tongs for turning meats, and a spatula for turning burgers and fish. Using a piercing utensil, such as a fork, will prick the meat and allow the juices to escape.
- Foods in deep casserole dishes will require more time to cook than a shallow baking pan.
- It's a good idea to put cooked food onto a heated platter, keeping the food warm. Red meats, such as steak and roasts, benefit from resting for several minutes before serving. It allows the juices that were driven to the surface by heat to ease back to the center of the meat, adding more flavor.

TROUBLESHOOTING

Proper cleaning, maintenance and the use of clean, dry, quality fuel will prevent common operational problems. When your Pit Boss® grill is operating poorly, or on a less frequent basis, the following troubleshooting tips may be helpful. For FAQ, please visit www.pitboss-grills.com. You may also contact your local Pit Boss® authorized dealer or contact Customer Care for assistance.

WARNING: Always disconnect the electrical cord prior to opening the grill for any inspection, cleaning, maintenance or service work. Ensure the grill is completely cooled to avoid injury.

ENGLISH

PROBLEM	CAUSE	SOLUTION
No Power Lights On The Control Board	Not Connected To Power Source	Ensure unit is plugged into a working power source. Reset breaker. Ensure GFCI is a minimum 10 Amp service (see Electric Wire Diagram for access to electric components) Ensure all wire connections are firmly connected and dry.
	Fuse Blown On The Control Board	Remove hopper access panel (see Electric Wire Diagram for diagram), press in plastic tabs holding the control board in place and carefully pull controller inside the hopper to release controller. Check the fuse for a broken wire or if the wire has turned black. If yes, fuse needs to be manually replaced.
	The GFCI outlet has been tripped.	Remove hopper access panel (see Electric Wire Diagram for diagram), and ensure all wire connections are firmly connected and dry. Ensure GFCI is a minimum 10 Amp service.
	Faulty Control Board	Control Board needs to be replaced. Contact Customer Care for a replacement part.
Fire in Fire Pot Will Not Light	Auger Not Primed	Before the unit is used for the first time or anytime the hopper is completely emptied out, the auger must be primed to allow pellets to fill the auger tube. If not primed, the ignitor will timeout before the pellets reach the fire pot. Follow Hopper Priming Procedure .
	Auger Motor Is Jammed	Remove cooking components from the Main Barrel. Press the Power Button to turn the unit on and inspect the auger feed system. Visually confirm that the auger is dropping pellets into the fire pot. If not operating properly, call Customer Care for assistance or a replacement part.
	Ignitor Failure	Remove cooking components from the Main Barrel. Press the Power Button to turn the unit on and inspect the ignitor. Visually confirm that the ignitor is working by placing your hand above the fire pot and feeling for heat. Visually confirm that the ignitor is protruding approximately 13mm / 0.5 inches in the fire pot. If not operating properly, call Customer Care for assistance or a replacement part.
Readout of actual temperature will not adjust	Grill probe dirty	Follow care and maintenance instructions.
	Grill probe is broken	Grill probe needs to be replaced. Contact Customer Care.
Grill Will Not Achieve Or Maintain Stable Temperature	Insufficient Air Flow Through Fire pot	Check fire pot for ash build-up or obstructions. Follow Care and Maintenance instructions for ash build-up. Check fan. Ensure it is working properly and air intake is not blocked. Follow Care and Maintenance instructions if dirty. Check auger motor to confirm operation, and ensure there is no blockage in the auger tube. Once all the above steps have been done, start the grill, set temperature to SMOKE and wait for 10 minutes. Check that the flame produced is bright and vibrant.
	Lack Of Fuel, Poor Fuel Quality, Obstruction In Feed System	Check hopper to check that fuel level is sufficient, and replenish if low. Should the quality of wood pellets be poor, or the length of the pellets too long, this may cause an obstruction in the feed system. Remove pellets and follow Care and Maintenance instructions.
	Grill Probe	Check status of grill probe. Follow Care and Maintenance instructions if dirty. Contact Customer Care for a replacement part if damaged.
Grill Produces Excess Or Discolored Smoke	Grease Build-Up	Follow Care and Maintenance instructions.
	Wood Pellet Quality	Remove moist wood pellets from hopper. Follow Care and Maintenance instructions to clean out. Replace with dry wood pellets.
	Fire pot Is Blocked	Clear fire pot for moist wood pellets. Follow Hopper Priming Procedure .
	Insufficient Air Intake For Fan	Check fan. Ensure it is working properly and air intake is not blocked. Follow Care and Maintenance instructions if dirty.

Frequent Flare-Ups	Cooking Temperature	Attempt cooking at a lower temperature. Grease does have a flash point. Keep the temperature under 176°C / 350°F when cooking highly greasy food.
	Grease Build-Up On Cooking Components	Follow Care and Maintenance instructions.
ErP Error Code	Unit Not Turned Off Properly When Last Connected To Power	Safety feature prevents an automatic restart. Press the Power Button to turn the unit off, wait two minutes, then press the Power Button to turn the unit on again. Turn to desired temperature. If error code still displayed, contact Customer Care.
	Power Outage While Unit In Operation	
ErH Error Code	The Unit Has Overheated, Possibly Due To Grease Fire Or Excess Fuel	Press the Power Button to turn the unit off, and allow grill to cool. Follow Care and Maintenance instructions. After maintenance, remove pellets, and confirm positioning of all component parts. Once cooled, press the Power Button to turn the unit on, then select desired temperature. If error code still displayed, contact Customer Care.
ErL Error Code	Grill fails to perform start-up cycle	Check proper positioning of cooking components. Check hopper for sufficient fuel or if there is an obstruction in the feed system. Remove pellets and follow Care and Maintenance instructions. Check grill probe. Confirm if actual temperature is correct and accurate. Follow Care and Maintenance instructions if dirty. Check ignitor positioning and that it is heating up properly. In extreme cold, the grill may require a second start. Turn grill off, wait, then turn on again. Check fan. Ensure it is working properly. Follow Care and Maintenance instructions if dirty.
	Grill will not stay lit	
Err Error Code with PELLET Error Code Blinking	Lack Of Fuel, Poor Fuel Quality, Obstruction In Feed System, Jammed Auger	Check hopper to check that fuel level is sufficient and replenish if low. Should the quality of wood pellets be poor, or the length of the pellets too long, this may cause an obstruction in the feed system. Remove pellets and follow Care and Maintenance instructions.
Err Error Code with IGNITOR Error Code Blinking	Ignitor is not working properly, not making a connection	Remove cooking components from the Main Barrel. Press the Power Button to turn the unit on and inspect the igniter. Visually confirm that the igniter is working by placing your hand above the burn grate and feeling for heat. Visually confirm that the igniter is aligned with the hole in the burn grate, and open to light the pellets. If not operating properly, call Customer Care for assistance or a replacement part.
	Ignitor failure	Igniter needs to be replaced. Contact Customer Care for replacement part.
Err Error Code with AUGER Error Code Blinking	Auger not primed	Before the unit is used for the first time or anytime the hopper is completely emptied out, the auger must be primed to allow pellets to fill the feed system. If not primed, the igniter will timeout before the pellets ignite. Follow Hopper Priming Procedure .
	Auger motor is jammed, not making connection	Remove cooking components from the Main Barrel. Press the Power Button to turn the unit on and inspect the auger feed system. Visually confirm that the auger is dropping pellets into the burn pot. If not operating properly, call Customer Care for assistance or a replacement part.
Err Error Code with FAN Error Code Blinking	Fan is not working properly, not making a connection	Check fan. Ensure it is working properly and air intake is not blocked. Remove hopper access panel (see Electric Wire Diagram for diagram), and check for any damage to the fan wires. Follow Care and Maintenance instructions if fan blades are dirty.

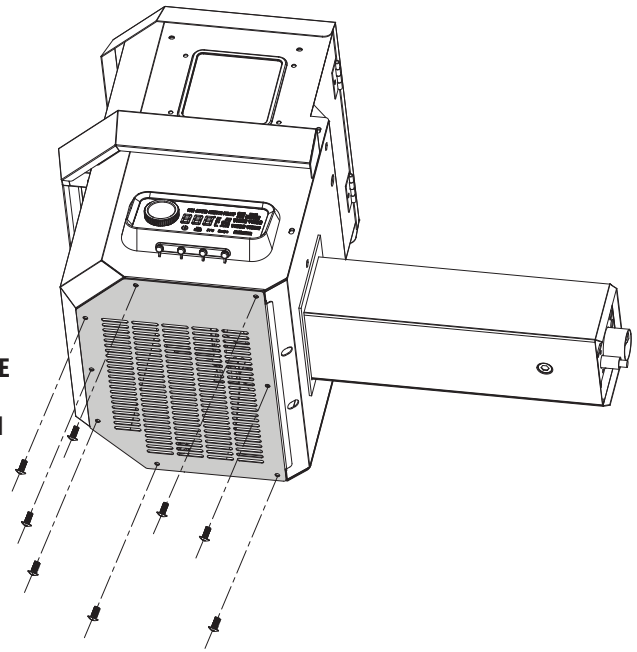
ELECTRICAL WIRE DIAGRAM

The Digital Control Board system is an intricate and valuable piece of technology. For protection from power surges and electrical shorts, consult the wire diagram below to ensure your power source is sufficient for the operation of the unit.

PB – ELECTRIC REQUIREMENTS 110-120V, 60Hz, 275W, 3-PRONG GROUNDED PLUG

NOTE: Electrical components, passed by product safety testing and certification services, comply with a testing tolerance of $\pm 5-10$ percent.

LOCATE AND REMOVE
THE EIGHT SCREWS
OF ACCESS PANEL ON
UNDERSIDE OF UNIT

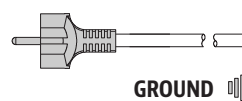


**FUEL INPUT
RATING:
2.0 KG/H
(4.4 LB/H)**

CONTROL BOARD

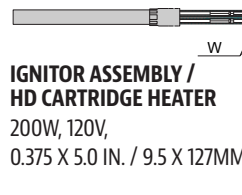
GROUND

VW-1, 105°C/221°F,
18-3 STANDARD CSA



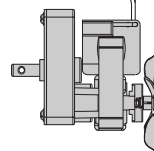
IGNITOR ASSEMBLY / HD CARTRIDGE HEATER

200W, 120V,
0.375 X 5.0 IN. / 9.5 X 127MM



AUGER MOTOR & FEED SYSTEM

120V, 50/60Hz, 2 RPM
MOTOR



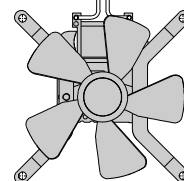
INDEX

K : BLACK
W : WHITE
R : RED
Y : YELLOW
P : PURPLE
O : ORANGE
G : GREEN

GRILL PROBE

LIGHT
25W, 120V

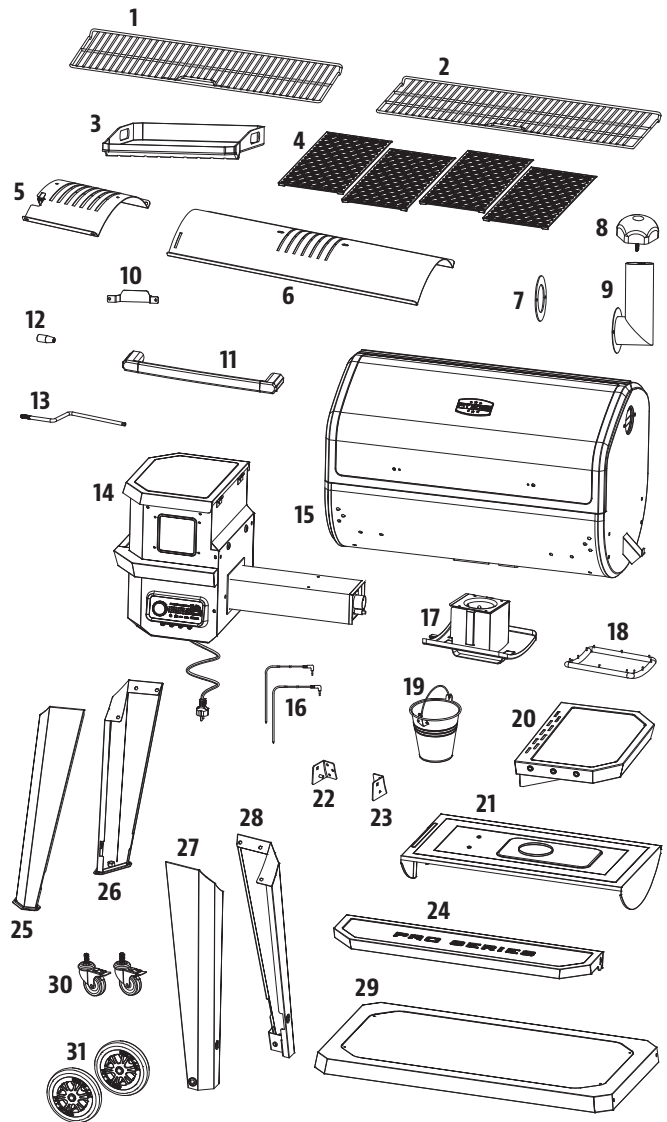
DRAFT FAN
120V, 50/60Hz,
1 PHASE



GRILL REPLACEMENT PARTS

ENGLISH

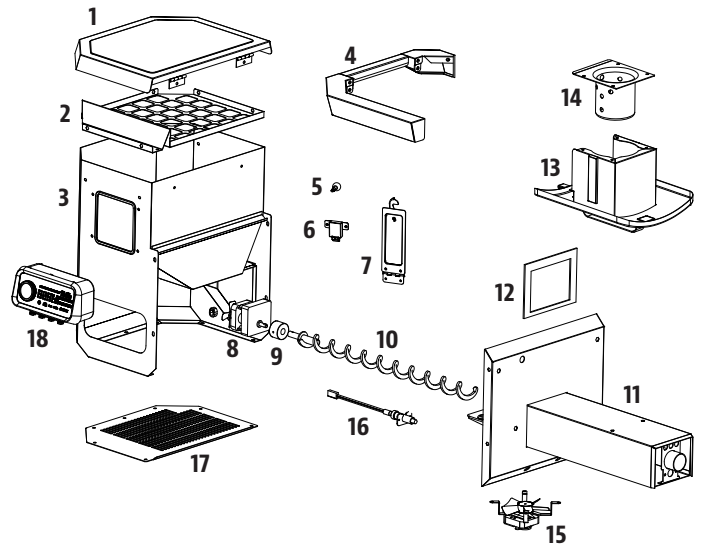
Part#	Description
1	Top Cooking Rack (x1)
2	Middle Cooking Rack (x1)
3	Griddle (x1)
4	Cooking Grids (x4)
5	Flame Broiler Slider (x1)
6	Flame Broiler Main Plate (x1)
7	Chimney Gasket (x1)
8	Chimney Cap (x1)
9	Chimney Stack (x1)
10	Rack Hanger (x1)
11	Lid Handle (x1)
12	Flame Broiler Adjusting Bar Handle (x1)
13	Flame Broiler Adjusting Bar (x1)
14	Hopper Assembly (x1)
15	Main Barrel (x1)
16	Meat Probe (x2)
17	Ash Box (x1)
18	Ash Box Gasket (x1)
19	Grease Bucket (x1)
20	Side Shelf (x1)
21	Diffuser Plate (x1)
22	Front Shelf Bracket / Left (x1)
23	Front Shelf Bracket / Right (x1)
24	Front Shelf (x1)
25	Left Support Leg - Front (x1)
26	Left Support Leg - Back (x1)
27	Right Support Leg - Front (x1)
28	Right Support Leg - Back (x1)
29	Bottom Shelf (x1)
30	Locking Caster Wheels (x2)
31	Wheel (x2)
A	Screw (x28)
B	Washer (x24)
C	Locking Washer (x22)
D	Tool Hook (x3)
E	Wheel Cotter Pin (x2)
F	Wheel Washer (x2)
G	Wheel Axle Pin (x2)
H	Screw (x2)
I	Nut (x2)
J	Bushing (x2)



NOTE: Due to ongoing product development, parts are subject to change without notice.

HOPPER REPLACEMENT PARTS

Part#	Description
1-PSH	Hopper Lid (x1)
2-PSH	Hopper Safety Screen (x1)
3-PSH	Hopper Box Housing (x1)
4-PSH	Hopper Handle (x1)
5-PSH	Drop Chute Locker Handle (x1)
6-PSH	Drop Chute Assembly (x1)
7-PSH	Drop Chute Door (x1)
8-PSH	Auger Motor (x1)
9-PSH	Nylon Bushing (x1)
10-PSH	Auger Flighting Assembly (x1)
11-PSH	Auger Box Housing (x1)
12-PSH	Hopper Housing Gasket (x1)
13-PSH	Ash Box (x1)
14-PSH	Fire Pot (x1)
15-PSH	Combustion Fan (x1)
16-PSH	Ignitor (x1)
17-PSH	Hopper Access Panel (x1)
18-PSH	Control Board (x1)



WARRANTY

CONDITIONS

All wood pellet grills by Pit Boss®, manufactured by Dansons, carry a limited warranty from the date of sale by the original owner. The warranty coverage begins on the original date of purchase and proof of date of purchase, or copy of original bill of sale, is required to validate the warranty. Customers will be subject to parts, shipping, and handling fees if unable to provide proof of the purchase or after the warranty has expired.

Dansons carries a five (5) year warranty against defects and workmanship on all parts, and five (5) years on electrical components. Dansons warrants that all part(s) are free of defects in material and workmanship, for the length of use and ownership of the original purchaser. Warranty does not cover damage from wear and tear, such as scratches, dents, dings, chips or minor cosmetic cracks. These aesthetic changes of the grill do not affect its performance. Repair or replacement of any part does not extend past the limited warranty beyond the five (5) years from date of purchase.

During the term of the warranty, Dansons' obligation shall be limited to furnishing a replacement for defective and/or failed components. As long as it is within the warranty period, Dansons' will not charge for repair or replacement for parts returned, freight prepaid, if the part(s) are found by Dansons' to be defective upon examination. Dansons' shall not be liable for transportation charges, labor costs, or export duties. Except as provided in these conditions of warranty, repair or replacement of parts in the manner and for the period of time mentioned heretofore shall constitute the fulfillment of all direct and derivate liabilities and obligations from Dansons to you.

Dansons takes every precaution to utilize materials that retard rust. Even with these safeguards, the protective coatings can be compromised by various substances and conditions beyond Dansons' control. High temperatures, excessive humidity, chlorine, industrial fumes, fertilizers, lawn pesticides and salt are some of the substances that can affect metal coatings. For these reasons, the warranty does not cover rust or oxidization, unless there is loss of structural integrity on the grill component. Should any of the above occur, kindly refer to the care and maintenance section to prolong the lifespan of your unit. Dansons recommends the use of a grill cover when the grill is not in use.

This warranty is based on normal domestic use and service of the grill and neither limited warranty coverage's apply for a grill which is used in commercial applications.

EXCEPTIONS

There is no written or implied performance warranty on Pit Boss® grills, as the manufacturer has no control over the installation, operation, cleaning, maintenance or the type of fuel burned. This warranty will not apply nor will Danson's assume responsibility if your appliance has not been installed, operated, cleaned and maintained in strict accordance with this owner's manual. Any use of gas not outlined in this manual may void the warranty. The warranty does not cover damage or breakage due to misuse, improper handling or modifications.

Neither Danson's, or authorized Pit Boss® dealer, accepts responsibility, legal or otherwise, for the incidental or consequential damage to the property or persons resulting from the use of this product. Whether a claim is made against Danson's based on the breach of this warranty or any other type of warranty expressed or implied by law, the manufacturer shall in no event be liable for any special, indirect, consequential or other damages of any nature whatsoever in excess of the original purchase of this product. All warranties by manufacturer are set forth herein and no claim shall be made against manufacturer on any warranty or representation.

Some states do not allow the exclusion or limitation of incidental or consequential damages, or limitations of implied warranties, so the limitations or exclusions set forth in this limited warranty may not apply to you. This limited warranty gives you specific legal rights and you may have other rights, which vary from state to state.

ORDERING REPLACEMENT PARTS

To order replacement parts, please contact your local Pit Boss® dealer or visit our online store at: www.pitboss-grills.com

CONTACT CUSTOMER CARE

If you have any questions or problems, contact Customer Care.

service@pitboss-grills.com | USA: (480) 923-9630 | Canada (Toll Free): 1-877-942-2246

WARRANTY SERVICE

Contact your nearest Pit Boss® dealer for repair or replacement parts. Danson's requires proof of purchase to establish a warranty claim; therefore, retain your original sales receipt or invoice for future reference. The serial and model number of your Pit Boss® can be found inside the lid of the hopper. Record numbers below as the label may become worn or illegible.

MODEL

SERIAL NUMBER

DATE OF PURCHASE

AUTHORIZED DEALER

RECIPES

CLASSIC BRISKET

Makes 4 - 6 Servings

A whole beef brisket weighs 7.25-3.62 kg / 16-18 pounds and has three separate parts: the cap, the point, and the flat. Use the flat section, as it is lean, compact, and creates nice slices when carved.

Ingredients:

1	Beef Brisket <small>2.2-3.6 kg / 5-8 lbs, Layer of fat is at least 0.6 cm / ¼" thick</small>
1 bottle	Prepared Yellow Mustard
75 ml / 5 tbsp	Seasoning
1 bottle	Chili Sauce
1 pack	Dry Onion Soup Mix
375 ml / 1½ c.	Beef Broth
40 ml / 8 tsp	Black Pepper

Suggested Wood Pellet Flavor: Hickory / Competition

Instructions:

1. Lay out a large piece of plastic wrap on your working station. Large enough to encase the brisket. Using a sharp knife, cut a single cut on the underside of the brisket against the grain. This will aid in slicing the finished brisket, against the grain which results in a tender, melt-in-your-mouth cut. The underside is the non-fat cap side. Slather on a generous amount of prepared mustard. Rub lightly onto the entire area. Sprinkle a generous amount of seasoning onto the mustard, then again light rub into the meat. Flip the brisket over and repeat the process. Wrap the prepared brisket in the plastic wrap and refrigerate 2 to 4 hours, or overnight.
2. Prepare the basting mixture. Mix the chili sauce, dry onion soup mix, beef broth, and black pepper. Set aside.
3. **Preheat grill, then reduce to low temperature.**
4. Place the brisket, fat side up, in the center of the grill. Close the grill lid. Slow cook until tender, about 10 to 12 hours.
5. Baste the brisket with the basting mixture every half hour for the first 3 hours.
6. Continue the slow cooking process until the internal temperature reaches 60-66°C / 140-150°F. Remove from grill. **Turn grill up to 176°C / 350°F.**
7. Place the brisket into a pouch of double-layered aluminum foil. Pour 50 ml / ¼ cup of basting mixture over the brisket in the pouch. Close the pouch shut.
8. Lay foil pouch carefully on the grill. Steam for 1 to 1½ hours.
9. Open the pouch, and use a meat thermometer; internal temperature should reach 91°C / 195°F. The brisket should be firm but be able to pull the meat apart with your fingers.
10. Transfer the meat to a cutting board, and let it rest for 10 minutes. Thinly slice across the grain to serve.

SAUSAGE WITH MANGO CHUTNEY

Makes 4 - 6 Servings

Ingredients:

2	Mangoes (finely chopped)
0.9 kg / 2 lbs	Italian Sausage (hot or mild)
10 ml / 2 tsp	Fresh Parsley (minced)
15 ml / 1 tbsp	Red Pepper (diced)
10 ml / 2 tsp	Honey
½	Red Onion (diced)
½ bulb	Fennel (diced)
5 ml / 1 tsp	Lime Juice
Pinch	Salt

Suggested Wood Pellet Flavor: Hickory / Competition

Instructions:

1. **Preheat grill, then reduce to LOW-MEDIUM (82-107°C / 180-225°F)**
2. Place sausages on grill, spaced evenly apart. Rotate every ten minutes so all sides are grilled.
3. Combine all remaining ingredients to make the chutney. Chill until ready to serve.
4. Slice grilled sausage diagonally, then serve with side of chutney.

BLUE CHEESE STEAK

Makes 4 Servings

Ingredients:

4	Steak, T-bone or Rib-Eye <small>2.54cm / 1" thick 0.28-0.62 kg / 10-12 ounces each</small>
113 g / 4 oz.	Blue Cheese (crumbled)
50 ml / ¼ c.	Green Onion (thinly sliced)

Suggested Wood Pellet Flavor: Hickory / Competition / Whiskey

Instructions:

1. **Preheat grill, then leave or reduce slightly (204-260°C / 400-500°F)**
2. Trim excess fat from meat and discard.
3. Place steaks on grill. Sear each side, flipping every few minutes.
4. **Reduce heat to 135°C/275°F or 163°C/ 325°F.** Flip the steaks a final time. Combine blue cheese and onions. Sprinkle over steaks, close grill lid, and grill until desired doneness. Check doneness by cutting a slit in meat near the bone.

Variation: REVERSE-SEAR METHOD

Turn grill to low temperature, then place steaks on grill. Smoke at 82°C / 180°F for 5 to 15 minutes. Once smoked to desired doneness, turn grill up to HIGH and sear to your liking.

BBQ RIBS

Makes 4 - 6 Servings

Ingredients:

1.3-1.8 kg / 3-4 lbs	Ribs <small>Meaty pork spareribs / loin back ribs</small>
45 ml / 3 tbsp	Oil
5 ml / 1 tsp	Salt
5 ml / 1 tsp	Pepper
2 whole	Onions (chopped)
30 ml / 2 tbsp	Vinegar
30 ml / 2 tbsp	Worcestershire sauce
125 ml / ½ c.	Apple Juice or Soda
5 ml / 1 tsp	Paprika
5 ml / 1 tsp	Chili Powder

Suggested Wood Pellet Flavor: Hickory / Competition / Apple

Instructions:

1. **Preheat grill, then reduce to low temperature (82-107°C / 180-225°F).**
2. Prepare ribs by peeling off the tough layer of skin on the back side. Season the ribs with salt and pepper, to taste.
3. Place ribs on grill, spaced evenly apart. Smoke for 3 to 4 hours.
4. Mix remaining ingredients in a saucepan and bring to a boil. Let sauce boil for five minutes to thicken.
5. Remove from grill. **Turn grill up to 176°C / 350°F.**
6. Place each rack into a pouch of double-layered aluminum foil. Pour 50 ml / ¼ cup of sauce over the ribs in the pouch. Close the pouch shut.
7. Lay foil pouch carefully on the grill. Steam for 1 to 1½ hours.
8. Open the pouch. The meat will have exposed the rib ends and be very tender. **Turn grill up to HIGH (260°C / 500°F).** Place ribs back on the grill and baste with sauce on both sides of ribs.
9. Once the sauce is caramelized and the ribs are sticky, remove from grill and serve.

Variation: MEMPHIS-DRY METHOD

Turn grill up to HIGH (260°C / 500°F). Place ribs back on the grill and season with a dry seasoning or rub. Sear the ribs, remove from grill and serve.

MOM'S JUICY HAMBURGERS

Makes 4 - 6 Servings

Ingredients:

900 g / 2 lbs	Ground Beef or Buffalo
15 ml / 3 tsp	Seasoning
2 whole	Eggs, room temperature
500 ml / 2 c.	Bread Crumbs (Dried, Fine)
6 - 8	Hamburger / Kaiser Buns
6 - 8 slices	Cheese (slices, thin)
30 ml / 2 tbsp	Butter

Suggested Wood Pellet Flavor: Hickory / Competition

Instructions:

1. **Preheat grill, then leave or reduce slightly (204-260°C / 400-500°F)**
2. Combine meat, seasoning, eggs and bread crumbs in a mixing bowl and blend together. Divide the meat into portions, and gently shape into patties to fit the buns. Make patties about 1.9 cm / ¾ inches thick.
3. Place patties on grill. Grill six minutes per side, taking care not to press down on the meat. Test for doneness, using a meat thermometer; internal temperature should reach 71°C / 160°F. Meat may turn pink on the outside due to smoking.
4. In the last few minutes of grilling, brush buns with butter and lightly toast on the grill.
5. Remove buns, burgers when done. Top the burgers with cheese to melt, and serve.

TIP: A slightly fattier meat makes for a juicier burger. For a lean alternative, try ground buffalo.

SIRLOIN STEAK WITH SWEET ONION & PEPPERS

Makes 4 Servings

Ingredients:

2	Steak, Top Sirloin <small>1" thick, cut into 4 pieces. 0.45kg/1 lb</small>
10 ml / 2 tsp	Seasoning or rub
5 medium	Sweet Onions (coursed chopped)
2 whole	Bell Peppers (all kinds, chopped)
60 ml / 4 tbsp	Soy Sauce
60 ml / 4 tbsp	Olive Oil
Dash	Salt

Suggested Wood Pellet Flavor: Hickory / Mesquite / Whiskey

Instructions:

1. **Preheat grill, then reduce slightly to 218°C / 425°F.**
2. Season both sides of the steak with the seasoning or rub. Cover and refrigerate at least 1 hour.
3. Place onions and bell peppers into a covered tray of aluminum foil. Mix soy sauce and olive oil together, then drizzle over tray. Sprinkle with salt. Seal the foil packet completely.
4. Place the foil on the grill for 10 - 15 minutes or until vegetables are soft and tender. Remove from grill, and keep covered.
5. Place steaks on grill. Sear each side, flipping every few minutes.
6. Grill until desired doneness, then remove from grill. Place on serving plates and top with warm vegetables.

CORNISH HENS WITH MANDARIN RICE

Makes 4 Servings

Ingredients:

4 whole Cornish Game Hens
750 ml / 3 c. Mandarin Rice
15 ml / 1 tbsp Olive Oil
5 ml / 1 tsp Smoked Paprika
250 ml / 1 c. Orange Marmalade

Mandarin Rice

59 ml / ¼ c. Almonds (slivered)
30 ml / 2 tbsp Celery (chopped)
1 small Green Onion (sliced, thin)
30 ml / 2 tbsp Butter
1 can Mandarin Orange Segments (drained)
 0.4 kg / 11oz.
30 ml / 2 tbsp Orange Juice (concentrate)
500 ml / 2 c. Cooked Rice

Suggested Wood Pellet Flavor: Hickory / Mesquite / Competition

Instructions:

1. Prepare mandarin rice by cooking almonds, celery, green onion, and butter in small skillet until almonds are lightly toasted. Combine mixture with orange segments, orange juice and cooked rice in a bowl, and set aside.
2. **Preheat grill, then reduce to MEDIUM (135-177°C / 275-350°F).**
3. Rinse Cornish hens and pat dry with paper towel. Stuff with rice mixture and tie legs with a string. Brush Cornish hens lightly with olive oil, and sprinkle with paprika.
4. Place Cornish hens on grill. Grill for 45 to 60 minutes, until the drumstick meat is tender when pressed.
5. Baste with orange marmalade during last 20 minutes of cooking time. Remove from grill and arrange on serving platter.

TIP: If you want to catch the drippings to make gravy, place the hens in a foil pan and add enough water or juice to cover the bottom about 0.6 cm / ¼ inch thick.

SHRIMP KABOBS WITH CURRY BUTTER

Makes 4 Servings

Ingredients:

900g / 2 lbs Shrimp (peeled, deveined)
125ml / ½ c. Curry Butter
15 ml / 1 tbsp Olive Oil
1 Lime
 Fresh Dill

Curry Butter

125 ml / ½ c. Butter
30 ml / 2 tbsp Onion (chopped)
15 ml / 1 tbsp Fresh Dill
5 ml / 1 tsp Curry Powder
Dash Garlic Powder

Suggested Wood Pellet Flavor: Mesquite / Competition

Instructions:

1. Soak wooden skewers in water for 1 hour.
2. **Preheat grill, then reduce to 135-163°C / 275-325°F.**
3. Prepare curry butter by melting butter in small pan over medium-high heat. Stir in onion, dill, curry powder and garlic powder. Cook for five minutes, then remove from heat.
4. Thread shrimp on skewers, leaving space between pieces. Lightly brush with olive oil.
5. Place skewers on grill, and grill until shrimp are white and tender. Shrimp grill quickly; take care not to overcook. Turn skewers of shrimp once and brush with curry butter halfway through cooking time.
6. Arrange grilled shrimp on serving plate. Garnish with lime wedge and dill.

TIP: To skewer shrimp so that it is straight, hold it in a stretched-out position with one hand. Start at the tail end and insert a bamboo or wooden skewer into the shrimp so that it runs the full length. Keep unbending the shrimp with your fingers as you go.

BACON BASIL SHRIMP ON A STICK

Makes 4 - 6 Servings

Ingredients:

24 large Shrimp (peeled, deveined)
24 whole Fresh Basil Leaves
24 slices Bacon (sliced thin)

Suggested Wood Pellet Flavor: Cherry / Apple

Instructions:

1. Soak wooden skewers in water for 1 hour.
2. **Preheat grill, then reduce to 135-163°C / 275-325°F.**
3. Wrap a piece of shrimp and basil leaf in a thin slice of bacon, then thread onto skewer, leaving space between pieces.
4. Place skewers on grill, and cook until shrimp are white and tender, and the bacon is nicely browned. Shrimp grill quickly; take care not to overcook. Turn skewers often to avoid burning.
5. Remove from heat and serve.

WHOLE SMOKED TURKEY

Feeds a small army - leftovers are great!

Ingredients:

1 whole Turkey (thawed)
9-11.3 kg / 20-25 lbs
60 ml / 4 tbsp Seasoning
5 ml / 1 tsp Smoked Paprika
45 ml / 3 tbsp Butter

Suggested Wood Pellet Flavor: Hickory / Cherry / Competition

Instructions:

- 1. Preheat grill, then reduce to 135-177°C / 275-350°F.**
- Remove the turkey neck and giblets. Rinse turkey thoroughly and pat the exterior dry with paper towel.
- In a small bowl, mix butter, ¼ of the seasoning and paprika together to form a paste. Gently insert your hand between the outer skin and the breast meat. Rub paste into the meat.
- With the remaining seasoning, rub the outer surface of the turkey.
- Place turkey, breast side up, in center of grill, and cook until turkey is tender and golden brown; internal temperature should reach 82°C / 180°F in the thickest part of the thigh and 77°C / 170°F in the breast.
- Remove turkey, cover with foil and let rest for 10 minutes before carving.

TIP: If you want to catch the drippings to make gravy, place the turkey on a rack inside a large aluminum foil roast pan. Add 0.6 cm / ¼" of water or broth and some seasoning into the bottom of the pan. Monitor the juices, as you may need to add more during the roasting period.

BEER CAN CHICKEN

Makes 2 - 6 Servings

Ingredients:

1 whole Chicken
1.8-2.7 kg / 4-6 lbs
1 can Beer, any kind
45 ml / 3 tbsp Seasoning

Suggested Wood Pellet Flavor: Hickory / Apple / Competition

Instructions:

- 1. Preheat grill, then reduce to 135-177°C / 275-350°F.**
- Open can, and pour half of the beer into a glass to drink. Leave half in the can, and make a few more holes in the top of the can to increase ventilation. Add a ¼ of the seasoning to the can.
- Rinse chicken thoroughly and pat the exterior dry with paper towel. Add a ¼ of the rub inside the cavity of the chicken. With the remaining seasoning, rub the outer surface of the chicken.
- Insert the upright can into the cavity of the chicken, place on the grill, and close the grill lid. Cook until the chicken is golden

brown and crispy; internal temperature should reach 74°C/165°F.

- Using tongs, carefully remove the upright chicken and can from the grill. Let rest for five minutes, then carefully remove the can from the cavity of the chicken. Be cautious not to spill, as the liquid will be hot.
- Carve chicken and serve.

Variation: NON- ALCOHOLIC, BEER-CAN CHICKEN

Using the same instructions as above, but substitute the can of beer with a can of your favorite non-diet cola, fruit juice, or water with additional seasoning.

EASY RANCH CHICKEN SATAY

Makes 2 - 6 Servings

Ingredients:

450g / 1 lb Chicken Breasts or Thighs (boneless, skinless)
112 ml / ½ c. Prepared Ranch or Italian Salad Dressing
Dash Salt
Dash Pepper

Suggested Wood Pellet Flavor: Apple / Cherry

Instructions:

- Cut chicken, lengthwise, into 0.63 cm / ¼" or slightly thicker pieces. Rinse chicken and pat dry with paper towel.
- Place chicken pieces into a plastic lock-top bag. Add salad dressing, salt and pepper. Seal the bag closed, and carefully shake, coating chicken evenly. Place in refrigerator for 1 - 2 hours, or overnight. Shake the bag once or twice so the chicken marinades evenly.
- Soak wooden skewers in water for 1 hour before use.
- 4. Preheat grill, then reduce slightly to 218°C / 425°F.**
- Remove chicken from plastic bag, and weave in-and-out onto the skewers, like a ribbon.
- Place skewers on grill, and cook until chicken is white and firm. Turn skewers often to avoid burning.
- Remove from heat and serve.

INFORMATIONS CONCERNANT LA SÉCURITÉ

LES PRINCIPALES CAUSES D'INCENDIE D'UN APPAREIL SONT UN MAUVAIS ENTRETIEN ET UNE INCAPACITÉ À MAINTENIR L'ESPACEMENT REQUIS ENTRE L'APPAREIL ET LES MATÉRIAUX COMBUSTIBLES. IL EST DE LA PLUS HAUTE IMPORTANCE QUE CE PRODUIT SOIT UNIQUEMENT UTILISÉ CONFORMÉMENT AUX INSTRUCTIONS SUIVANTES.

Veillez lire et comprendre l'intégralité de ce manuel avant de procéder à l'assemblage, à l'utilisation ou à l'installation de ce produit. Vous pourrez alors profiter pleinement et sans encombre de votre nouveau gril à granulés de bois. Nous vous conseillons également de conserver ce manuel à titre de référence ultérieure.

DANGERS ET AVERTISSEMENTS

Vous devez contacter les autorités locales compétentes afin d'obtenir les permis, mandats ou informations nécessaires concernant toute restriction d'installation, par exemple pour un gril installé sur une surface combustible, les exigences en matière d'inspection ou même la possibilité d'utilisation dans votre région.

1. Vous devez respecter un espace minimum de 914 mm (36 pouces) entre les côtés/l'arrière du gril et toute construction combustible. **N'installez pas l'appareil sur des sols combustibles ou des sols protégés par des surfaces combustibles sans avoir obtenu les permis et autorisations appropriés de la part des autorités compétentes.** N'utilisez pas cet appareil en intérieur, dans une zone close ou non aérée, par exemple à l'intérieur d'un domicile, dans un véhicule, sous une tente ou dans un garage. Cet appareil à granulés de bois ne doit pas être placé sous un plafond ou un surplomb combustible. Placez votre gril dans une zone dégagée, sans matériaux combustibles, essence, ni autres vapeurs et liquides inflammables.

Si un feu de graisse a lieu, éteignez le gril et laissez le couvercle fermé jusqu'à ce que le feu s'éteigne. Débranchez le cordon d'alimentation. Ne jetez pas d'eau sur l'appareil. N'essayez pas d'étouffer le feu. Posséder sur place un extincteur agréé pour les feux de classe A, B et C est un atout précieux. Si un feu incontrôlé a lieu, appelez les pompiers.

2. Maintenez les câbles électriques et les combustibles loin des surfaces chauffées. N'utilisez pas votre gril sous la pluie ou près d'une source d'eau.
3. Suite à une période de stockage ou d'absence d'utilisation, vérifiez que la grille de combustion n'est pas obstruée, que la trémie ne contient pas d'objet étranger et que le dispositif de ventilation ou la cheminée peuvent toujours évacuer l'air. Nettoyez l'appareil avant utilisation. Une maintenance et un entretien réguliers sont nécessaires pour prolonger la durée de vie de votre appareil. **Si le gril est stocké en extérieur lors des saisons pluvieuses ou très humides, veillez à ce que l'eau ne pénètre pas dans la trémie.** Les granulés de bois humides ou exposés à une forte humidité gonflent beaucoup, se décomposent et peuvent bloquer le système d'acheminement. Avant tout service ou entretien, débranchez toujours l'alimentation.

Ne transportez pas votre gril lorsqu'il est en cours d'utilisation ou qu'il est chaud. Veillez à ce que le feu soit entièrement éteint et que le gril soit parfaitement froid au toucher avant de le déplacer.

4. Le port de moufles ou gants pour barbecue résistants à la chaleur est recommandé lors de l'utilisation du gril. N'utilisez pas d'accessoires autres que ceux spécifiés pour cet appareil. Ne placez pas de housse pour barbecue ou tout objet inflammable dans l'espace de rangement situé sous le barbecue.

5. Pour éviter que les doigts, les vêtements ou d'autres objets n'entrent en contact avec le système d'acheminement de la vis sans fin, l'appareil est équipé d'un écran de sécurité en métal, monté à l'intérieur de la trémie. Cet écran ne doit pas être retiré, sauf avis contraire du service clients ou d'un revendeur agréé.

Cet appareil n'est pas conçu pour être utilisé par des enfants, des personnes handicapées physiques, sensorielles ou mentales, ou par des personnes ne disposant pas de l'expérience ou des connaissances nécessaires à son fonctionnement, à moins qu'elles ne soient encadrées par une personne responsable de leur sécurité.

6. Des éléments de ce barbecue peuvent être très chauds et entraîner des blessures graves. En cours d'utilisation, maintenez l'appareil hors de portée des jeunes enfants et des animaux.
7. N'élargissez pas les trous de l'allumeur ou les pots de combustion. Le non-respect de cet avertissement peut entraîner un incendie et des dommages corporels, cela annulera également votre garantie.
8. Le produit peut comporter des pièces ou des rebords coupants. Tout contact peut entraîner une blessure. Manipulez-les avec précaution.

ÉLIMINATION DES CENDRES

Les cendres doivent être placées dans un récipient en métal avec couvercle hermétique. Le récipient fermé contenant les cendres doit être placé par terre ou sur une surface non combustible, loin de tout matériau combustible, en attendant son élimination finale. Lorsque les cendres sont éliminées par enterrement ou dispersées localement, elles doivent d'abord rester dans le récipient fermé jusqu'à leur refroidissement complet.

GRANULÉS DE BOIS COMBUSTIBLES

L'appareil de cuisson par granulés est conçu pour être uniquement utilisé avec du bois combustible entièrement naturel sous forme de granulés. Tout autre combustible brûlé dans cet appareil annulera la garantie et les informations relatives à la sécurité. Vous devez utiliser uniquement des granulés de bois entièrement naturels, conçus pour brûler dans des barbecues à granulés. N'utilisez pas de combustible contenant des additifs. Les granulés de bois sont très sensibles à l'humidité et doivent toujours être stockés au sein d'un récipient hermétique. Si vous stockez votre gril sans l'utiliser durant une longue période, nous vous recommandons de retirer tous les granulés de la trémie et de la vis sans fin afin d'éviter tout bouchon. Le pouvoir calorifique moyen des granulés se situe entre 5,17 et 5,67 kWh/kg, avec un taux de cendre < 1 %.

N'utilisez pas d'alcool, d'essence, d'essence à briquet ou de pétrole pour allumer et raviver un feu dans votre gril. Maintenez tout liquide de ce genre à distance de l'appareil en cours d'utilisation.

Au moment de l'impression de ce document, il n'existe aucune norme industrielle concernant les granulés de bois pour barbecue, même si la plupart des presses à agglomérer et à granuler des aliments utilisent les mêmes normes pour fabriquer des granulés de bois à usage domestique. Vous pouvez trouver de plus amples informations sur www.pelletheat.org ou sur **Pellet Fuel Institute**.

Contactez votre revendeur local pour en savoir plus sur la qualité des granulés dans votre région ou pour obtenir de plus amples informations sur la qualité d'une marque. Comme il n'existe aucun contrôle de la qualité des granulés utilisés et des granulés impactés par l'humidité, nous n'assumons aucune responsabilité relative aux dommages causés par un combustible de mauvaise qualité.

CRÉOSOTE

La créosote, ou suie, est une substance similaire à du goudron. Lorsqu'elle brûle, elle produit une fumée noire composée d'un résidu de la même couleur. La suie ou créosote se forme lorsque l'appareil n'est pas utilisé correctement, par exemple en cas de blocage du ventilateur de combustion, de mauvais nettoyage ou entretien de la zone de combustion ou de mauvais ratio air/combustible.

Utiliser cet appareil est dangereux en cas de flamme sombre ou si le pot de combustion est trop plein de granulés. Lorsqu'elle s'enflamme, la créosote produit un feu très chaud et incontrôlé, similaire à un feu de graisse. Si cela arrive, éteignez l'appareil, laissez-le entièrement refroidir, puis inspectez-le pour effectuer un entretien et un nettoyage. La créosote s'accumule généralement dans les zones d'échappement.

Si de la créosote s'est formée au sein de l'appareil, faites chauffer ce dernier à faible température, éteignez-le, puis essuyez toute formation avec une serviette. Comme le goudron, la créosote est plus facile à nettoyer lorsqu'elle est chaude car elle se liquéfie.

MONOXYDE DE CARBONE (« le tueur silencieux »)

Le monoxyde de carbone est un gaz incolore, inodore et sans goût, produit par la combustion de gaz, de bois, de propane, de charbon ou autre combustible. Le monoxyde de carbone diminue la capacité du sang à transporter l'oxygène. De faibles taux d'oxygène dans le sang peuvent entraîner des maux de tête, des vertiges, des sentiments de faiblesse, des nausées, des vomissements, des somnolences, des confusions, des pertes de conscience, ou la mort. Suivez ces instructions pour empêcher ce gaz incolore et inodore d'empoisonner vos proches ou vous-même :

- Consultez un médecin si un individu ou vous-même développez des symptômes rappelant ceux d'une grippe alors que vous cuisinez ou que vous êtes à proximité de l'appareil. L'empoisonnement au monoxyde de carbone, pouvant facilement être confondu avec un rhume ou une grippe, est souvent détecté trop tard.
- La consommation d'alcool, de drogue et de médicaments augmente les effets de l'empoisonnement au monoxyde de carbone.

Le monoxyde de carbone est particulièrement toxique pour les mères et leur bébé pendant la grossesse, pour les nouveau-nés, les personnes âgées, les fumeurs et les personnes présentant des problèmes du sang ou du système circulatoire, comme l'anémie ou les maladies cardiaques.

INFORMATIONS RELATIVES À LA SÉCURITÉ

Conformément aux procédures et spécificités répertoriées dans l'UL Subject 2728A-2019 « appareils de cuisson à granulés » et l'ULC/ORD C2728-19 « pour les fonctionnalités électrique de l'équipement de combustion à carburant ». Les appareils de cuisson à granulés de Pit Boss Grills ont été testés indépendamment et sont répertoriés par le CSA (un laboratoire de test accrédité) selon les normes UL et ULC. o UL and ULC standards.



DÉCLARATION DE CONFORMITÉ FCC

Cet équipement est conforme aux limites d'exposition aux rayonnements FCC définies pour un environnement non contrôlé. Cet équipement doit être installé et utilisé à une distance minimale de 20 cm entre le radiateur et votre corps. Cet émetteur ne doit pas être colocalisé ou fonctionner en conjonction avec une autre antenne ou émetteur. Cet appareil est conforme à la section 15 de la réglementation de la FCC. L'utilisation est soumise aux deux conditions suivantes : (1) Cet appareil ne doit pas causer d'interférences nuisibles et (2) Cet appareil doit accepter toutes les interférences reçues, y compris celles pouvant entraîner un fonctionnement indésirable.



Cet équipement a été testé et déclaré conforme aux limites imposées aux appareils numériques de classe B, conformément à la section 15 du règlement de la FCC. Ces limites sont conçues pour offrir une protection raisonnable contre les interférences nuisibles dans une installation résidentielle. Cet équipement génère et peut émettre de l'énergie de fréquence radio. S'il n'est pas installé et utilisé selon les instructions, il peut produire des interférences nuisibles aux communications radio. Cependant, il n'existe aucune garantie que de telles interférences ne se produiront pas dans une installation particulière. Si cet équipement cause des interférences nuisibles à la réception radio ou télévisuelle, ce que l'utilisateur peut déterminer en allumant ou en éteignant l'équipement, l'utilisateur est invité à essayer de corriger ces interférences en prenant une ou plusieurs des mesures suivantes :

- Réorienter ou déplacer l'antenne réceptrice.
- Augmenter la distance séparant l'appareil du récepteur.
- Brancher l'appareil sur un circuit différent de celui du récepteur.
- Consulter le fournisseur ou un technicien qualifié de la radio ou de la télévision afin d'obtenir de l'aide.

Attention: l'utilisateur est averti que les changements ou modifications non expressément approuvés par la partie responsable de la conformité pourraient annuler le droit de l'utilisateur à utiliser l'équipement.

La marque et le logo Bluetooth® sont des marques déposées appartenant à Bluetooth® SIG, Inc. et toute utilisation de ces marques par Espressif se fait sous licence. Les autres marques et noms commerciaux appartiennent à leurs propriétaires respectifs.

TABLE DES MATIÈRES

Informations concernant la sécurité	36	Entretien et maintenance	55
Pièces et spécifications	40	Utilisation du combustible en granulés de bois	57
Préparation de l'assemblage	41	Lignes directrices pour la cuisine	58
Instructions d'assemblage		Conseils et techniques	60
Montage des pieds sur le corps principal	41	Dépannage	61
Installation de l'étagère inférieure	42	Schéma du câblage électrique	63
Ajout des roues au chariot	42	Pièces de rechange	
Installation de la poignée du couvercle	42	Pièces de rechange du gril	64
Assemblage de l'étagère latérale	43	Pièces de rechange de la trémie	65
Montage de l'étagère latérale	43	Garantie	
Fixation de la cheminée	43	Conditions	65
Fixation des supports de l'étagère avant	44	Exceptions	66
Installation de l'étagère avant	44	Commander des pièces de rechange	66
Mise en place de la plaque de diffusion	44	Contacter le service clients	66
Installation des composants du diffuseur de chaleur	45	Service de la garantie	66
Installation des composants de cuisson	46	Recettes	67
Montage du support de rack	46		
Placement du seau à graisse	46		
Connexion à une source d'alimentation	47		
Mode d'emploi			
Environnement du gril	48		
Plages de températures du gril	49		
Présentation du panneau de contrôle	50		
Fonctions du panneau de contrôle	52		
Connexion à l'application Smoke iT®	53		
Procédure d'amorce de la trémie	54		
Première utilisation - brûlage du gril	54		
Procédure de démarrage automatique	54		
Arrêt de votre gril	54		



AVIS SUR LES DROITS D'AUTEUR

Droit d'auteur 2021. Tous droits réservés. Nulle partie de ce manuel ne peut être reproduite, transmises, transcrite ou stockée dans un système de recherche de quelque façon que ce soit sans l'autorisation préalable écrite de,

Dansons

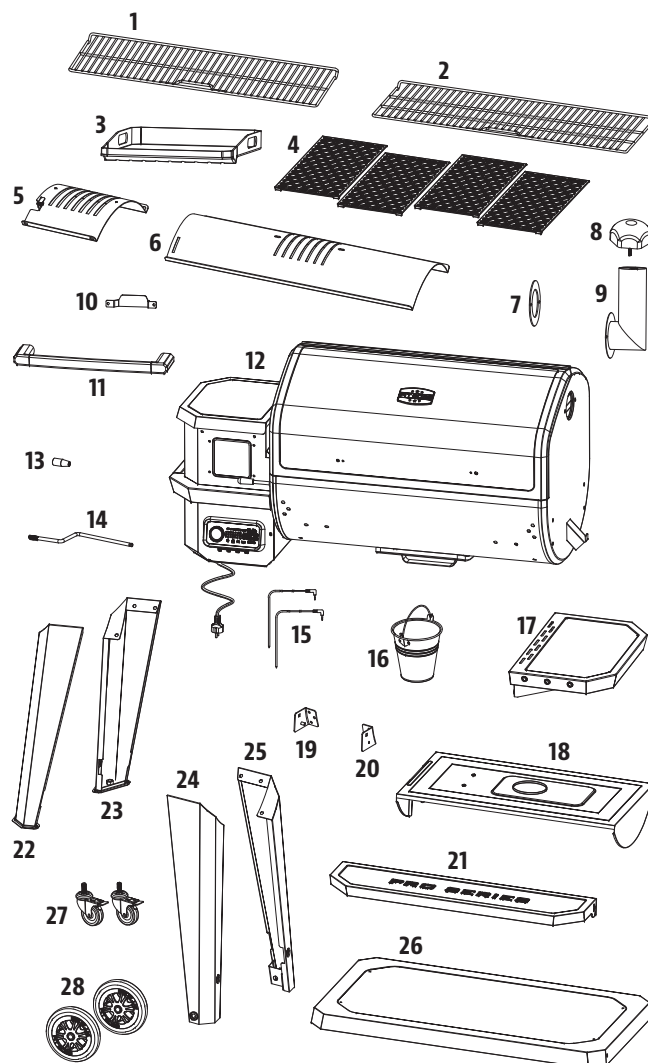
3411 North 5th Avenue, Suite 500, Phoenix, AZ, USA 85013
sales@pitboss-grills.com | service@pitboss-grills.com
www.pitboss-grills.com

Service à la clientèle

États-Unis: (480) 923-9630 | Canada (sans frais): 1-877-942-2246

PIÈCES ET SPÉCIFICATIONS

N°	Description
1	Grille de cuisson supérieure (x1)
2	Grille de cuisson du milieu (x1)
3	Gril en fonte (x1)
4	Grilles de cuisson (x4)
5	Plaque coulissante du diffuseur de chaleur (x1)
6	Plaque principale du diffuseur de chaleur (x1)
7	Joint de cheminée (x1)
8	Chapeau de cheminée (x1)
9	Sortie de cheminée (x1)
10	Support de rack (x1)
11	Poignée pour couvercle (x1)
12	Assemblage gril principal/trémie (x1)
13	Poignée de la barre de réglage du grilloir à flamme (x1)
14	Barre de réglage du grilloir à flamme (x1)
15	Sonde de cuisson (x2)
16	Seau à graisse (x1)
17	Étagère latérale (x1)
18	Plaque de diffusion (x1)
19	Support pour étagère avant/gauche (x1)
20	Support pour étagère avant /droit (x1)
21	Étagère avant (x1)
22	Pied de support gauche - avant (x1)
23	Pied de support gauche - arrière (x1)
24	Pied de support droit - avant (x1)
25	Pied de support droit - arrière (x1)
26	Étagère inférieure (x1)
27	Roulettes pivotantes à frein (x2)
28	Roue (x2)
A	Vis (x28)
B	Rondelle (x24)
C	Rondelle de blocage (x22)
D	Crochets à ustensiles (x3)
E	Goupille bêta pour roue (x2)
F	Rondelle pour roue (x2)
G	Goupille cannelée pour roue (x2)
H	Vis (x2)
I	Écrous (x2)
J	Bague (x2)



REMARQUE : de par le développement continu du produit, des pièces peuvent faire l'objet de modifications sans préavis. Contactez le service clients si des pièces manquent lors de l'assemblage de l'appareil.

PB – EXIGENCES ÉLECTRIQUES
PRISE DE TERRE À 3 BROCHES DE 110-120 V, 60 Hz, 275 W

MODÈLE	ASSEMBLÉ (LxHxP)	POIDS	ZONE DE CUSSION	PLAGE DE TEMPÉRATURES
PB PB1600PS1	1 587,5 MM x 813,5 MM x 1 400 MM 62,50 PO x 32,03 PO x 55,12 PO	110,0 KG / 242,5 LB	GRILLE SUPÉRIEURE - 2 474,8 CM ² / 383,6 PO ² MILIEU - 3 249,6 CM ² / 503,7 PO ² PRINCIPALE - 4 587,1 CM ² / 711,0 PO ² TOTAL - 10 311,5 CM ² / 1 598,3 PO ²	82-260°C / 180-500°F

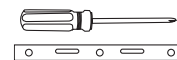
PRÉPARATION DE L'ASSEMBLAGE

Les pièces se trouvent partout dans le carton d'expédition, y compris sous le gril. Inspectez le gril, les pièces et le sachet de quincaillerie après les avoir retirés du carton d'expédition. Débarrassez-vous de tous les emballages intérieurs et extérieurs du gril avant de procéder à l'assemblage, puis passez en revue et inspectez toutes les pièces en vous référant à la liste. Si une pièce manque ou est endommagée, ne procédez pas à l'assemblage. Les dégâts liés à l'envoi ne sont pas couverts par la garantie. Contactez votre revendeur ou le service clients de Pit Boss® concernant ces pièces.

service@pitboss-grills.com | États-Unis : (480) 923-9630 | Canada (sans frais) : 1-877-942-2246

IMPORTANT : pour faciliter l'installation et éviter des blessures, il est recommandé de mettre deux personnes à contribution lors de l'assemblage de l'appareil.

Outils nécessaires pour l'assemblage : un tournevis et un niveau. *Ces outils ne sont pas fournis.*



INSTRUCTIONS D'ASSEMBLAGE

IMPORTANT : nous vous conseillons de lire entièrement chaque étape avant de procéder à l'assemblage conformément aux instructions. Ne serrez pas totalement les vis avant que toutes les vis de cette étape soient installées. L'assemblage de pièces impliquant une rondelle de blocage et une rondelle doit être effectué en plaçant la rondelle de blocage le plus près possible de la tête de la vis.

1. MONTAGE DES PIEDS SUR LE CORPS PRINCIPAL

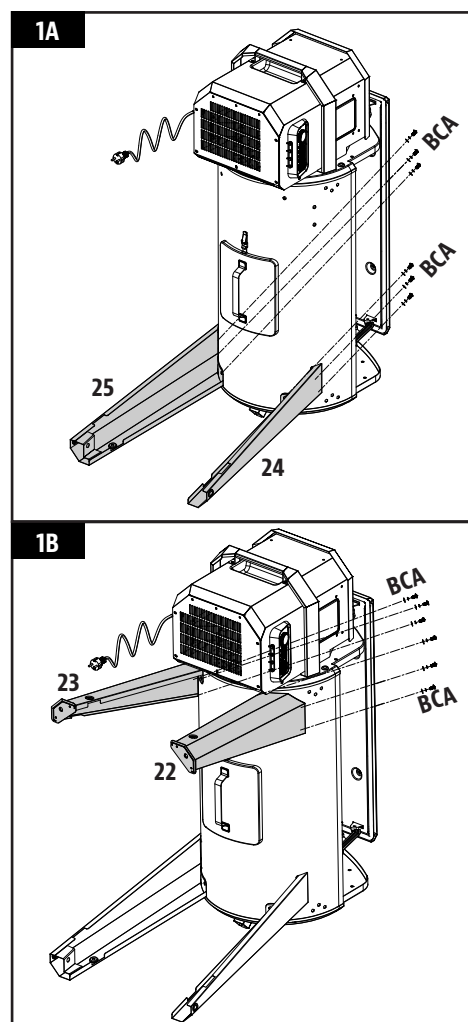
Pièces nécessaires :

- 1 x Assemblage gril principal/trémie (#12)
- 1 x Pied de support gauche - avant (#22)
- 1 x Pied de support gauche - arrière (#23)
- 1 x Pied de support droit - avant (#24)
- 1 x Pied de support droit - arrière (#25)
- 12 x Vis (#A)
- 12 x Rondelle (#B)
- 12 x Rondelle de blocage (#C)

Installation :

- Placez un bout de carton sur le sol afin d'éviter d'érafler l'appareil et les pièces durant l'assemblage. Posez le corps principal sur le côté, sur le carton, l'extrémité de la trémie dirigée vers le haut.
- Montez le pied de support avant droit sur l'extrémité du corps principal placée sur le sol à l'aide de trois vis, rondelles de blocage et rondelles, à travers les trois trous prépercés. Installez les vis via l'intérieur du corps principal. Répétez la procédure pour le pied de support arrière droit. Consultez l'illustration 1A.
- Montez ensuite le pied de support avant gauche sur l'extrémité du corps principal du côté de la trémie à l'aide de trois vis, rondelles de blocage et rondelles, à travers les trois trous prépercés. Installez les vis via l'intérieur du corps principal. Répétez la procédure pour le pied de support arrière gauche. Consultez l'illustration 1B.

IMPORTANT : Ne serrez pas totalement les vis avant que l'étagère inférieure ne soit installée lors de l'étape suivante.



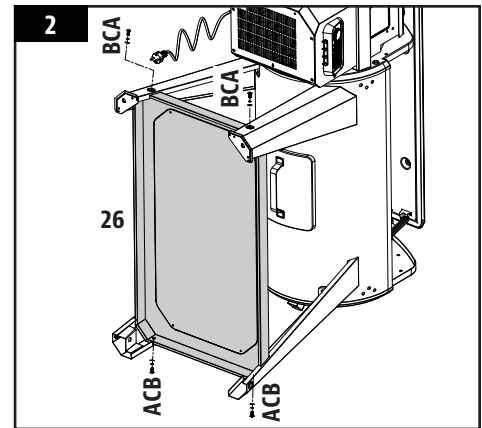
2. INSTALLATION DE L'ÉTAGÈRE INFÉRIEURE

Pièces nécessaires :

- 1 x Étagère inférieure (#26)
- 4 x Vis (#A)
- 4 x Rondelle (#B)
- 4 x Rondelle de blocage (#C)

Installation :

- Fixez l'étagère inférieure sur chaque pied de support avec une vis, une rondelle de blocage et une rondelle. Assurez-vous que la surface plane de l'étagère est orientée vers le haut, en direction du corps du gril.



3. AJOUT DES ROUES AU CHARIOT

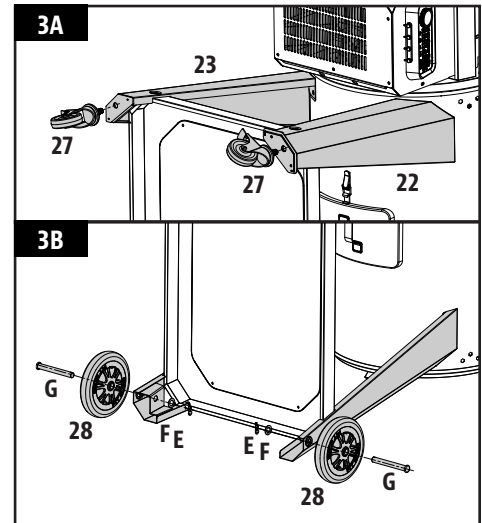
Pièces nécessaires :

- 2 x Roulettes pivotantes à frein (#27)
- 2 x Roue (#28)
- 2 x Goupille bêta pour roue (#E)
- 2 x Rondelle pour roue (#F)
- 2 x Goupille cannelée pour roue (#G)

Installation :

- Insérez chaque roulette à frein au bas de chaque pied de support gauche, en les serrant manuellement dans le trou. Assurez-vous que chaque roulette à frein est complètement insérée. Consultez l'illustration 3A.
- Fixez chaque roulette à chaque pied de support droit en insérant la goupille cannelée dans la roue, dans le trou du pied de support et dans la rondelle de la roue, puis fixez le tout avec une goupille bêta. Consultez l'illustration 3B.
- Une fois l'étagère attachée, placez précautionneusement le gril en position verticale.

IMPORTANT : resserrez les vis des pieds de support pour vous assurer qu'elles sont complètement fixées après avoir positionné le gril à la verticale.



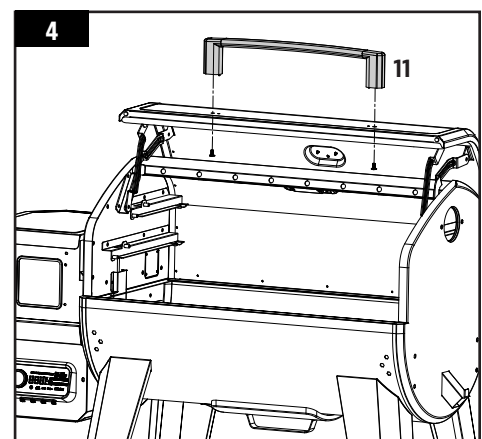
4. INSTALLATION DE LA POIGNÉE DU COUVERCLE

Pièces nécessaires :

- 1 x Poignée pour couvercle (#11)

Installation :

- Retirez les vis préinstallées de la poignée du couvercle. De l'intérieur du couvercle du corps, insérez une vis afin qu'elle dépasse de l'autre côté. Ajoutez une bague à la vis. Ajoutez une bague sur la vis, puis serrez-la à la main (de l'intérieur) dans la poignée du couvercle. Répétez l'opération pour l'autre côté.



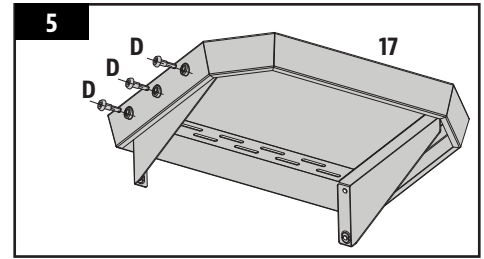
5. ASSEMBLAGE DE L'ÉTAGÈRE LATÉRALE

Pièces nécessaires :

- 1 x Étagère latérale (#17)
- 3 x Crochets à ustensiles (#D)

Installation :

- Retournez l'étagère latérale. Sur le bord de l'étagère latérale possédant trois trous, installez les trois crochets à ustensiles. Les crochets à ustensiles seront fixés à l'écrou prémonté à l'intérieur.



6. MONTAGE DE L'ÉTAGÈRE LATÉRALE

Pièces nécessaires :

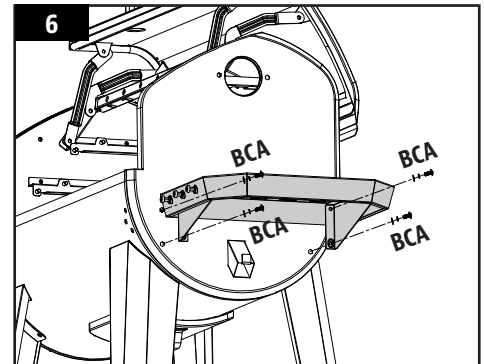
- 4 x Vis (#A)
- 4 x Rondelle de blocage (#C)
- 4 x Rondelle (#B)

Installation :

- En passant par le dessous, fixez l'étagère latérale au panneau latéral du corps principal à l'aide de quatre vis, rondelles de blocage et rondelles.

REMARQUE : ne serrez pas totalement les vis avant qu'elles soient toutes installées. Une fois toutes les vis installées, fixez les précautionneusement.

IMPORTANT : évitez d'utiliser les étagères pour déplacer ou soulever le grill. Le poids de l'appareil provoquerait la rupture des étagères, ce qui n'est pas couvert par la garantie.



7. FIXATION DE LA CHEMINÉE

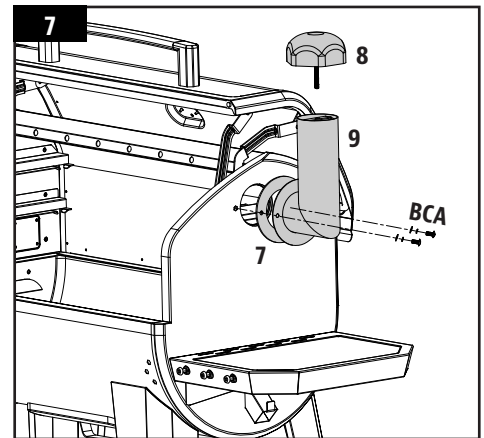
Pièces nécessaires :

- 1 x Joint de cheminée (#7)
- 1 x Chapeau de cheminée (#8)
- 1 x Sortie de cheminée (#9)
- 2 x Vis (#A)
- 2 x Rondelle de blocage (#C)
- 2 x Rondelle (#B)

Installation :

- Localisez l'ouverture de la cheminée sur le panneau latéral du corps principal. De l'extérieur, fixez la sortie de cheminée et le joint de la cheminée sur le panneau latéral à l'aide de deux vis, de rondelles de blocage et de rondelles. Les vis fixeront les écrous prémontés à l'intérieur du corps de l'appareil.
- Ensuite, fixez le chapeau de cheminée en tournant la vis du chapeau de cheminée dans la sortie de cheminée.

REMARQUE : réglez le chapeau de cheminée pour diriger le flux d'air à l'intérieur du grill principal. Si vous cuisinez à basse température, gardez le chapeau plus ouvert. Assurez-vous que le chapeau de cheminée permet à l'air de s'échapper.



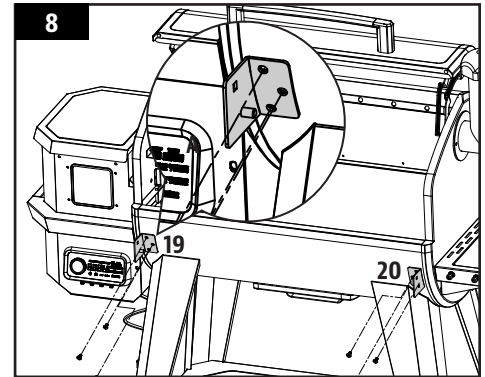
8. FIXATION DES SUPPORTS DE L'ÉTAGÈRE AVANT

Pièces nécessaires :

- 1 x Support pour étagère avant/gauche (#19)
- 1 x Support pour étagère avant /droit (#20)
- 6 x Vis (#A)

Installation :

- Fixez un support pour étagère avant à l'avant du corps de grill à l'aide de trois vis. Insérez chaque vis à moitié, puis serrez-les complètement lorsque les trois vis sont montées et alignées correctement.
- Répétez la même procédure pour l'autre support pour étagère avant.



9. INSTALLATION DE L'ÉTAGÈRE AVANT

Pièces nécessaires :

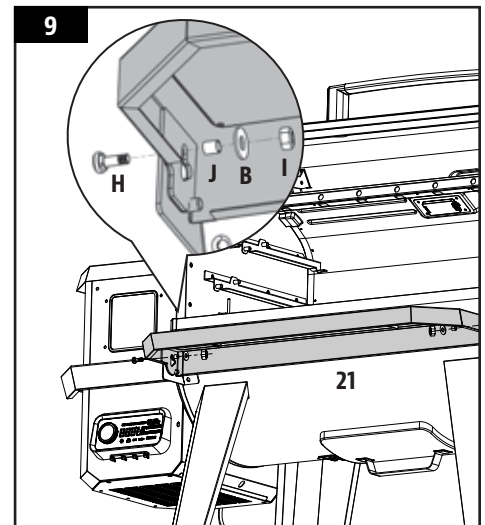
- 1 x Étagère avant (#21)
- 2 x Rondelle (#B)
- 2 x Vis (#H)
- 2 x Écrous (#I)
- 2 x Bague (#J)

Installation :

- En passant par le dessous, insérez la vis (par l'extérieur) dans le support pour étagère avant et l'étagère avant, puis ajoutez la bague dans la vis, la rondelle et l'écrou. Répétez la procédure pour l'autre côté de l'étagère avant.

REMARQUE : lorsqu'elle est installée correctement, l'étagère avant peut être relevée (pour utilisation) et abaissée (pour le stockage) en toute simplicité.

IMPORTANT : évitez d'utiliser les étagères pour déplacer ou soulever le grill. Le poids de l'appareil provoquerait la rupture des étagères, ce qui n'est pas couvert par la garantie.



10. MISE EN PLACE DE LA PLAQUE DE DIFFUSION

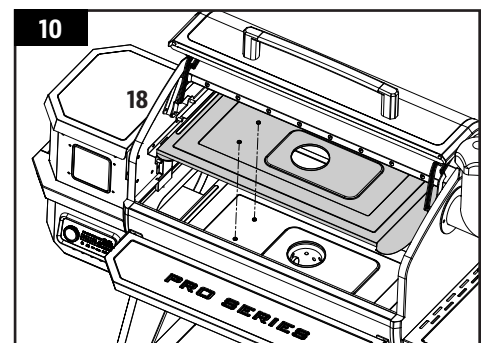
Pièces nécessaires :

- 1 x Plaque de diffusion (#18)

Installation :

- Placez la plaque de diffusion dans le corps principal afin que l'ouverture centrale soit directement alignée avec le pot de combustion circulaire à la base du corps principal.

REMARQUE : la plaque de diffusion n'a pas besoin d'être fixée.



11. INSTALLATION DES COMPOSANTS DU DIFFUSEUR DE CHALEUR

Pièces nécessaires :

- 1 x Plaque coulissante du diffuseur de chaleur (#5)
- 1 x Plaque principale du diffuseur de chaleur (#6)
- 1 x Poignée de la barre de réglage du grilloir à flamme (#13)
- 1 x Barre de réglage du grilloir à flamme (#14)

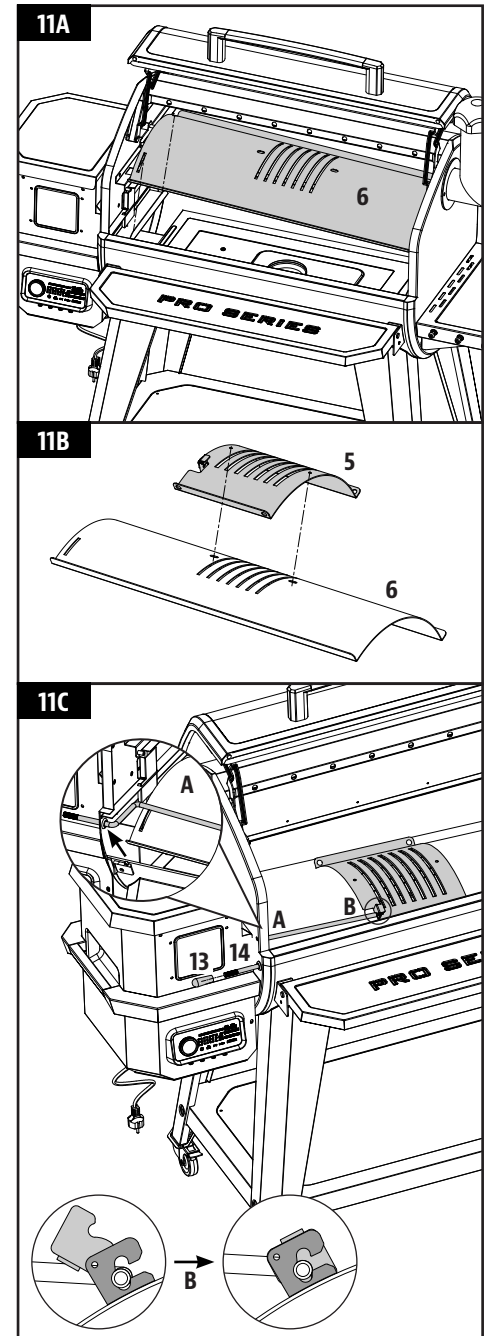
Installation :

- Insérez la plaque principale du diffuseur de chaleur dans le gril principal en commençant par le côté droit. Posez la plaque principale du diffuseur de chaleur sur le rebord intégré (à l'intérieur, à droite) du gril principal dirigeant la graisse vers le seau. Faites coulisser toute la pièce vers le côté gauche, ainsi, les deux fentes de la plaque principale du diffuseur de chaleur s'ajusteront dans le rebord arrondi situé au-dessus du pot de combustion. Il adoptera un angle légèrement incliné vers le bas. Consultez l'illustration 11A.

IMPORTANT : si la plaque principale du diffuseur de chaleur se trouve sur la base du corps, son installation est incorrecte. Le diffuseur de chaleur doit être en biais, avec le côté gauche plus élevé que le côté droit. Une mauvaise installation de cette pièce peut endommager le baril de votre gril principal.

- Placez la plaque coulissante du diffuseur de chaleur au-dessus de la plaque principale, recouvrant les fentes. Veillez à ce que la languette relevée se trouve sur la gauche afin de facilement ajuster l'utilisation d'une flamme directe ou indirecte lors de la cuisson. Consultez l'illustration 11B. Les deux plaques du diffuseur de chaleur sont légèrement recouvertes d'huile pour éviter l'apparition de rouille lors de l'envoi.
- Puis, retirez la poignée de la barre de réglage du diffuseur de chaleur. Insérez la barre de réglage du diffuseur de chaleur dans le trou situé sur le côté gauche du corps principal. Ajoutez la poignée de la barre de réglage du diffuseur de chaleur sur l'extrémité à l'extérieur du corps de l'appareil. Glissez ensuite l'extrémité crantée de la barre de réglage dans la languette de verrouillage de la plaque coulissante du diffuseur de chaleur, ce qui vous donne un accès facile à la plaque coulissante du diffuseur de chaleur de la plaque principale. Consultez les étapes de l'illustration 11C.

REMARQUE : lorsque la plaque coulissante du diffuseur de chaleur est ouverte, une flamme directe est utilisée, ne laissez jamais le gril sans surveillance.



12. INSTALLATION DES COMPOSANTS DE CUISSON

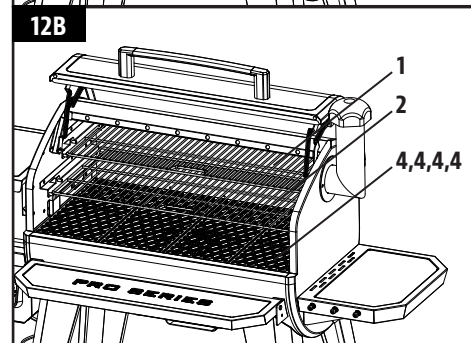
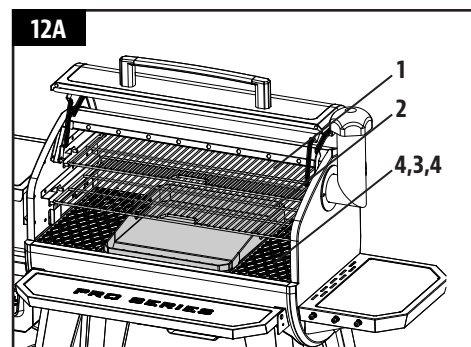
Pièces nécessaires :

- 1 x Grille de cuisson supérieure (#1)
- 1 x Grille de cuisson du milieu (#2)
- 1 x Gril en fonte (#3)
- 4 x Grilles de cuisson (#4)

Installation :

- Choisissez une surface de cuisson principale désirée: deux grilles de cuisson avec plaque chauffante (illustrées en 12A) ou quatre grilles de cuisson (illustrées en 12B). Placez la combinaison de surface de cuisson choisie sur les rebords inférieurs de la grille à l'intérieur du gril principal.
- Ensuite, placez la grille de cuisson centrale sur les rebords du milieu à l'intérieur du gril principal. Placez la grille de cuisson supérieure sur les rebords supérieurs à l'intérieur du gril principal.

REMARQUE: Pour maintenir les performances de saisie et de cuisson de vos grilles de cuisson et grilles de cuisson, des soins et un entretien réguliers sont nécessaires.



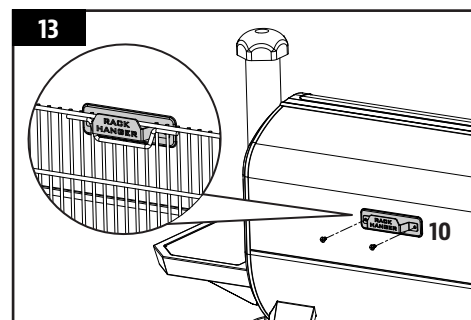
13. MONTAGE DU SUPPORT DE RACK

Pièces nécessaires :

- 1 x Support de rack (#10)

Installation :

- Fixez le support de rack au panneau arrière du barillet principal à l'aide des deux vis de pré-assemblage. Les grilles de cuisson peuvent être suspendues au support de grille lorsqu'elles ne sont pas utilisées.



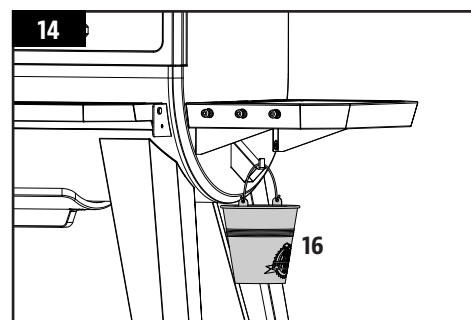
14. PLACEMENT DU SEAU À GRAISSE

Pièces nécessaires :

- 1 x Seau à graisse (#16)

Installation :

- Coloque el recogegrasa en el caño del extremo del tambor principal. Asegúrese de que esté nivelado para evitar el derramamiento de grasa.
- La unidad está montada por completo.



15. CONNEXION À UNE SOURCE D'ALIMENTATION

- **PRISE STANDARD**

Cet appareil nécessite un voltage de 110-120 volts, 60Hz, 275w. Il doit utiliser une fiche de mise à la terre à 3 broches. Assurez-vous que la mise à la terre n'est pas rompue avant utilisation. Le contrôle utilise un fusible à action rapide de 5 ampères et 110-120 volts pour protéger le panneau de l'allumeur.

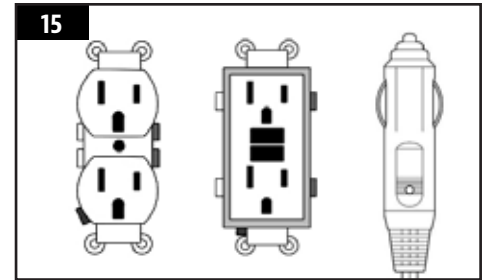
- **LES PRISES GFCI**

Cet appareil fonctionnera sur la plupart des prises GFCI, avec une taille recommandée de 15 ampères. Si votre prise GFI est très sensible aux surtensions, elle sera probablement touchée par un court-circuit pendant la phase d'allumage. Pendant la phase d'allumage, l'allumeur nécessite entre 200 et 700 watts de tension, ce qui peut représenter trop de puissance pour une prise GFI. Chaque fois qu'il y a une surtension, il augmente sa sensibilité. Si le GFCI continue de sauter, remplacez la prise ou passez à une prise non GFCI.

- **SUR LA ROUTE**

Débranchez l'allumeur du faisceau de câbles principal. Utilisez la procédure de démarrage manuelle. Une unité Pit Boss® peut fonctionner en utilisant un onduleur de 12 volts et 100 watts branché sur votre prise automobile. Pour utiliser l'allumeur automatique, il est recommandé d'utiliser au minimum un onduleur de 1000 watts.

IMPORTANT: Débranchez l'appareil de la source d'alimentation lorsqu'il n'est pas utilisé.



OPERATING INSTRUCTIONS

Avec le style de vie actuel pour s'efforcer de manger des aliments sains et nutritifs, un facteur à considérer est l'importance de réduire la consommation de graisse. L'une des meilleures façons de réduire les graisses dans votre régime alimentaire est d'utiliser une méthode de cuisson faible en matières grasses, tel que le gril. Comme une grille à granulés utilise des granulés de bois naturels, la saveur de bois savoureuse est cuite dans les viandes, ce qui réduit le besoin de sauces à haute teneur en sucre. Tout au long de ce manuel, vous remarquerez l'accent mis sur le grillage des aliments lentement aux réglages de température FAIBLE ou MOYENNE.

ENVIRONNEMENT DU GRIL

1. OÙ INSTALLER LE GRILL

Avec tous les appareils extérieurs, les conditions météorologiques extérieures jouent un rôle important dans la performance de votre gril et le temps de cuisson nécessaire pour parfaire vos repas.

Toutes les unités Pit Boss® devraient garder un dégagement minimum de 914 mm (36 pouces) des constructions combustibles, et cette distance doit être maintenue pendant la cuisson. Cet appareil ne doit pas être placé sous un plafond ou un surplomb combustible. Gardez votre gril dans une zone dégagée et exempte de matières combustibles, d'essence et d'autres vapeurs et liquides inflammables.

2. CUISINER PAR TEMPS FROIDS

Lorsqu'il commence à faire plus frais à l'extérieur, cela ne signifie pas que la saison des grillades est terminée! L'air frais et l'arôme divin des aliments fumés aideront à guérir votre blues d'hiver.

Suivez ces suggestions sur la façon de profiter de votre gril pendant les mois les plus frais:

- Si le fumage à basse température échoue, augmentez légèrement la température pour obtenir les mêmes résultats.
- Organisez – Préparez tout ce dont vous avez besoin dans la cuisine avant de vous diriger à l'extérieur. Pendant l'hiver, déplacez votre gril dans un endroit protégé du vent et du froid. Vérifiez les règlements locaux concernant la proximité de votre gril par rapport à votre maison et/ou autres constructions. Mettez tout ce dont vous avez besoin sur un plateau, emballez et lancez-vous!
- Pour suivre la température extérieure, placez un thermomètre extérieur près de votre zone de cuisson. Gardez un journal ou un historique de ce que vous avez préparé, de la température extérieure et du temps de cuisson. Cela sera utile plus tard pour vous aider à déterminer ce qu'il faut cuisiner et combien de temps cela prendra.
- Par temps très froid, augmentez votre temps de préchauffage d'au moins 20 minutes.
- Évitez de soulever le couvercle du gril plus que nécessaire. Les rafales de vents froids peuvent refroidir complètement la température de votre gril. Soyez souple quant au moment de servir; ajoutez environ 10 à 15 minutes de plus à la cuisson à chaque fois que vous ouvrez le couvercle.
- Ayez un plateau chauffé ou un couvercle de plat prêt à garder votre nourriture au chaud tout en faisant le voyage à l'intérieur.
- Les aliments idéaux pour la cuisine d'hiver sont ceux qui nécessitent peu d'attention, comme les rôtis, les poulets entiers, les côtes et la dinde. Rendez votre préparation de repas encore plus facile en ajoutant des éléments simples comme les légumes et les pommes de terre.

3. CUISINER PAR TEMPS CHAUDS

À mesure qu'il fait plus chaud à l'extérieur, le temps de cuisson diminue.

Suivez ces suggestions sur la façon de profiter de votre gril pendant les mois chauds:

- Ajustez à la baisse vos températures de cuisson. Cela permet d'éviter les poussées indésirables.
- Utilisez un thermomètre à viande pour déterminer la température interne de vos aliments. Ceci permet d'éviter que votre viande ne soit trop cuite ou se dessèche.
- Même par temps chaud, c'est mieux de cuisiner en gardant le couvercle de votre gril baissé.
- Vous pouvez garder vos aliments chauds au chaud en les enveloppant dans du papier aluminium et en les plaçant dans une glacière isolée. Placez du papier journal froissé autour du papier aluminium et cela tiendra la nourriture chaude pendant 3 à 4 heures.

PLAGES DE TEMPÉRATURES DU GRIL

Les lectures de température sur le panneau de contrôle peuvent ne pas correspondre exactement au thermomètre. Toutes les températures indiquées ci-dessous sont approximatives et sont affectées par les facteurs suivants: la température ambiante extérieure, la quantité et la direction du vent, la qualité du combustible à granulés utilisé, le couvercle ouvert et la quantité de nourriture en cours de cuisson.

- **TEMPÉRATURES ÉLEVÉES (205-260°C / 401-500°F)**

Cette gamme est de préférence utilisée pour sécher et griller à haute température. Utiliser en tandem avec la chaudière (plateau latéral) pour une cuisson indirecte ou directe de la flamme. Lorsque **la chaudière est ouverte**, la flamme directe est utilisée pour créer ces steaks « blue » ainsi que des légumes à la flamme, des toasts à l'ail ou même des s'mores! Lorsque **la chaudière est fermée**, l'air circule autour du baril ce qui conduit à une chaleur de convection. La température élevée est également utilisée pour préchauffer votre gril, brûler les grilles de cuisson et obtenir un feu vif par froid extrême..

- **TEMPÉRATURE MOYENNE (135-180°C / 275-356°F)**

Cette gamme est idéale pour cuire au four, rôtir et terminer votre création à fumaison lente. La cuisson à ces températures réduira considérablement les risques de poussée de graisse. Assurez-vous que la glissière de chaudière est en position fermée, couvrant les ouvertures à fente. Excellente gamme pour cuisiner n'importe quoi enveloppé dans du bacon, ou où vous voulez une polyvalence avec contrôle.

- **BASSE TEMPÉRATURE (82-125°C / 180-257°F)**

Cette gamme permet rôtir lentement, d'augmenter la saveur fumée et de garder les aliments au chaud. Infusez plus de saveur fumée et gardez vos viandes juteuses en cuisinant plus longtemps à une température plus basse (également connu sous le nom de **faible et lent**). Il est recommandé pour la grande dinde pour Thanksgiving, jambon juteux à Pâques, ou l'immense fête de Noël.

Le fumage est une variation de vrai barbecue et est vraiment le premier avantage de la cuisson sur un gril à pastilles de bois. **Le fumage à chaud**, un autre nom pour la cuisson **faible et lente**, se fait généralement à 82-125°C / 180-257°F. Le fumage à chaud fonctionne mieux lorsqu'un temps de cuisson plus long est nécessaire, comme pour les grandes coupes de viande, de poisson ou de volaille.

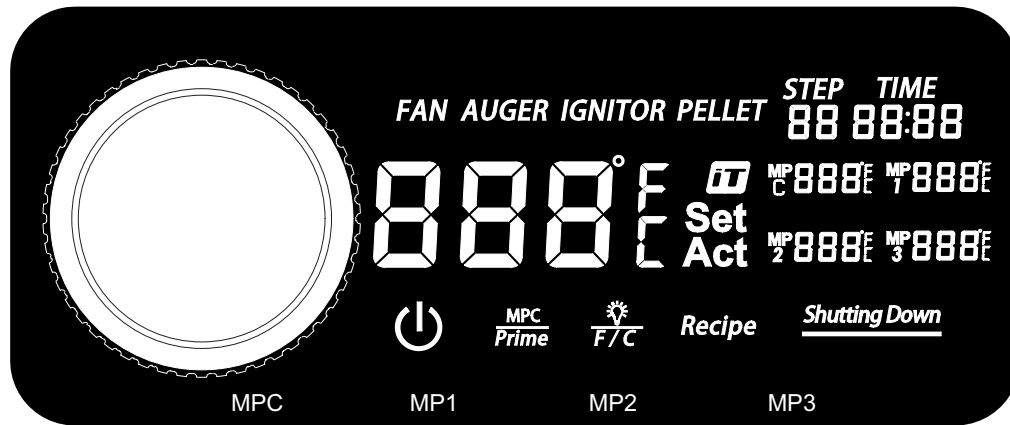
CONSEIL: Pour intensifier cette saveur salée, passez à la température de fumée (basse) immédiatement après avoir mis vos aliments sur le gril. Cela permet à la fumée de pénétrer dans les viandes.

La clé consiste à expérimenter le temps que vous autorisez à fumer, avant que le repas ne soit cuit. Certains chefs de plein air préfèrent fumer à la fin d'une cuisson, ce qui permet à la nourriture de rester au chaud jusqu'à ce qu'elle soit prête à être servie. La pratique rend parfait!



PRÉSENTATION DU PANNEAU DE CONTRÔLE

Cette panneau de contrôle numérique P.I.D. (proportionnel-intégral-dérivé) est très semblable aux commandes de votre four de cuisine. Les principaux avantages sont la possibilité de compenser automatiquement les différentes conditions ambiantes et les différents types de combustibles.

IMPORTANT : La température à l'intérieur de tout gril varie considérablement d'un endroit à l'autre. Même des instruments calibrés ensemble peuvent ne pas être en accord les uns avec les autres.



CONTRÔLE	DESCRIPTION
	Appuyez une fois sur ce bouton pour mettre l'appareil en marche. Cela permettra de lancer le cycle de démarrage automatique. Maintenez ce bouton appuyé pendant trois secondes pour mettre l'appareil hors tension, ce qui activera le cycle de refroidissement automatique. Le bouton clignote en blanc lorsqu'il est connecté à une source d'alimentation, et reste fixe lorsque l'appareil est en marche.
	L'icône Smoke iT® indique une connexion à un réseau sans fil. Lorsque l'appareil recherche une connexion via Wi-Fi ou Bluetooth®, l'icône Smoke iT® clignote. Une fois la connexion Wi-Fi établie, l'icône Smoke iT® ne clignote plus. Lorsque vous êtes connecté, vous pouvez obtenir des informations en direct sur la température actuelle du gril et celle programmée, sur le temps de cuisson, ainsi que sur la température des sondes de cuisson. Vous pouvez également régler les paramètres de votre panneau de contrôle.
	Ce bouton a deux fonctions: interrupteur d'unités de température et éclairage. <ol style="list-style-type: none"> Appuyez rapidement sur ce bouton pour allumer et éteindre la lumière à l'intérieur du baril du gril. Appuyez sur ce bouton et maintenez-le enfoncé pendant trois secondes pour activer l'interrupteur d'unités de température, modifiant ainsi la lecture de la température. Changez entre Celsius (°C) et Fahrenheit (°F), selon vos préférences. La valeur par défaut est Fahrenheit.
	Ce bouton possède deux fonctions : contrôle de la sonde de cuisson (MPC) et Prime. <ol style="list-style-type: none"> Appuyer rapidement sur ce bouton active la sonde de cuisson programmable, il s'agit du premier port de connexion de sonde de cuisson (MPC). Utilisez le bouton de commande pour configurer la température de la sonde de cuisson programmable. Appuyez de nouveau sur le bouton de commande pour confirmer votre choix et quitter les paramètres de la sonde de cuisson programmable. Maintenez ce bouton appuyé durant trois secondes pour acheminer manuellement en continu plus de granulés vers le pot de combustion. Le relâchement du bouton interrompt l'alimentation manuelle des granulés. Ce processus peut permettre d'ajouter plus de combustible au feu avant d'ouvrir le couvercle du corps de l'appareil, entraînant une récupération de chaleur rapide. Il peut également s'utiliser en cours de fumage afin d'augmenter l'intensité du parfum fumé. Cette fonctionnalité a été demandée par les cuisiniers participant à des concours.

	<p>Le bouton de commande est utilisé pour augmenter, diminuer et sélectionner une valeur de réglage. Tournez le bouton de commande pour sélectionner l'heure, la température ou l'étape dans un menu de paramètres actifs. Appuyez sur le bouton de commande pour confirmer la valeur choisie.</p>
	<p>Le relevé central affiche à la fois la température actuelle et celle programmée. La température actuelle s'affiche en permanence, sauf si la température programmée est en train d'être modifiée. La température actuelle représente la température à l'intérieur du corps principal. Le relevé de la température actuelle est effectué par la sonde du gril (capteur) située à l'intérieur du corps de l'appareil.</p> <p>Afin d'afficher la température programmée, appuyez sur le bouton de commande. La température programmée est active lorsque le relevé clignote. Afin de régler la température programmée, tournez le bouton de commande, au besoin. Une fois la température programmée souhaitée affichée, appuyez sur le bouton de commande afin de la confirmer, le relevé affichera alors de nouveau la température actuelle.</p>
<p>Recipe</p>	<p>Appuyez une fois sur le bouton pour activer les étapes de recette. Il existe neuf étapes de recette disponibles. Ajustez les paramètres de chaque étape de recette en utilisant le bouton de commande.</p>
<p>STEP 88</p>	<p>Affiche l'actuelle étape de recette.</p>
<p>TIME 88:88</p>	<p>Affiche la durée paramétrée lors de l'étape de recette. Appuyez sur le bouton Recette (Recipe) pour activer les paramètres de recette. Utilisez le bouton de commande pour passer d'une étape à l'autre, l'une d'entre elles est la durée.</p>
<p>MP C 888°F</p>	<p>Affiche l'actuelle température et celle configurée pour la sonde de cuisson programmable, il s'agit du premier port de branchement de sonde de cuisson (MPC). La température actuelle s'affiche en permanence, sauf si la température programmée est en train d'être modifiée. Lorsque vous appuyez sur le bouton MPC, le relevé de la sonde de cuisson sélectionnée clignote et vous pouvez ajuster la température programmée. Lorsque vous ne l'utilisez pas, débranchez la sonde de cuisson du port de connexion et le code « noP » s'affichera. Uniquement compatible avec les sondes de cuisson de la marque Pit Boss® Grills.</p>
<p>MP 1 888°F MP 2 888°F MP 3 888°F</p>	<p>Affiche la température actuelle de la sonde de cuisson. Ce relevé de la sonde de cuisson correspond au port de connexion (MP). Lorsque vous ne l'utilisez pas, débranchez la sonde de cuisson du port de connexion et le code « noP » s'affichera. Uniquement compatible avec les sondes de cuisson de la marque Pit Boss® Grills.</p>
<p>Shutting Down</p>	<p>Ce relevé s'affiche après sélection de la mise hors tension. Il indique que le cycle de refroidissement automatique a débuté. Une fois le cycle de refroidissement terminé, le relevé ne sera plus visible.</p>
<p>FAN</p>	<p>L'icône de VENTILATEUR est visible lorsque le ventilateur est en marche. Lorsque le relevé central affiche un code d'erreur (Err) et que l'icône de VENTILATEUR clignote, le ventilateur ne fonctionne pas. Consultez la section Dépannage pour obtenir de l'aide.</p>
<p>AUGER</p>	<p>L'icône de VIS SANS FIN est visible lorsque la vis sans fin tourne. Lorsque le relevé central affiche un code d'erreur (Err) et que l'icône de VIS SANS FIN clignote, la vis sans fin ne fonctionne pas. Consultez la section Dépannage pour obtenir de l'aide.</p>
<p>IGNITOR</p>	<p>L'icône d'ALLUMEUR est visible lorsque l'allumeur est en marche. Lorsque le relevé central affiche un code d'erreur (Err) et que l'icône d'ALLUMEUR clignote, l'allumeur ne fonctionne pas. Consultez la section Dépannage pour obtenir de l'aide.</p>
<p>PELLET</p>	<p>Lorsque le relevé central affiche un code d'erreur (Err) et que l'icône de GRANULÉ est visible, le feu dans le pot de combustion est éteint ou bien la trémie est vide. Consultez la section Dépannage pour obtenir de l'aide.</p>

FONCTIONS DU PANNEAU DE CONTRÔLE

• RÉGLAGE D'UNE TEMPÉRATURE DE CUISSON

La sonde du grill mesure la température interne du baril principal. Lorsque la température de cuisson est ajustée, la sonde du grill lit la température réelle à l'intérieur du baril principal et l'ajuste à la température de cuisson souhaitée.

IMPORTANT : la température de votre appareil est extrêmement dépendante de la température extérieure ambiante, de la qualité des granulés utilisés, du parfum des granulés et de la quantité d'aliments en train de cuire.

RÉGLER/AJUSTER LA TEMPÉRATURE PROGRAMMÉE

Pour ajuster la température programmée du grill, suivez les étapes ci-dessous :

1. Appuyez sur le bouton de commande. La température programmée clignotera alors pour indiquer qu'elle est active.
2. Utilisez de nouveau le bouton de commande pour ajuster la température souhaitée.
3. Une fois la température programmée souhaitée affichée, appuyez sur le bouton de commande afin de la confirmer, le relevé affichera alors de nouveau la température actuelle.

• UTILISATION DE LA SONDE DE CUISSON PROGRAMMABLE

La sonde de cuisson mesure la température interne de la viande sur le grill, tout comme dans votre four. Insérez la sonde de cuisson en acier inoxydable dans la partie la plus épaisse de la viande. La température interne s'affiche sur le relevé du panneau de contrôle. Branchez l'adaptateur de la sonde de cuisson au port de connexion de la sonde de cuisson en veillant à ce qu'il soit bien inséré jusqu'au fond. Un bruit vous indiquera qu'il est bien en place. En plus de cuire la viande à la température souhaitée, le processus passera également automatiquement le grill sur une température basse (82 °C) pour que la nourriture soit toujours chaude au moment d'être servie. Configurez l'appareil et détendez-vous pendant que la sonde de cuisson travaille à votre place !

REMARQUE : lorsque vous placez la sonde de cuisson dans votre viande, veillez à ce que celle-ci et les câbles ne soient pas en contact direct avec la flamme ou une source de chaleur excessive. Cela pourrait endommager votre sonde de cuisson. Faites passer l'excès de câble via le trou situé du côté gauche du grill principal (près du gond du couvercle). Lorsque vous ne l'utilisez pas, débranchez la sonde de cuisson du port de raccordement et mettez-la de côté en veillant à ce qu'elle reste propre et en sécurité.

CONFIGURATION/AJUSTEMENT DE LA SONDE DE CUISSON PROGRAMMABLE

Pour configurer la température souhaitée de la sonde de cuisson programmable, suivez les étapes ci-dessous :

1. Appuyez rapidement sur le bouton MPC pour activer la sonde de cuisson programmable. Lorsqu'une sonde est active, le relevé de température de la sonde de cuisson clignote.
2. Utilisez le bouton de commande pour ajuster la température souhaitée.
3. Une fois la température souhaitée de la sonde de cuisson sélectionnée affichée, appuyez de nouveau sur le bouton de commande afin de la confirmer et de quitter les paramètres de la sonde de cuisson programmable.

• PROGRAMMER UNE RECETTE

La fonction Recette permet à l'utilisateur de programmer des instructions de cuisson, nommées étapes de la recette, que le panneau de contrôle suivra et lancera automatiquement. Ces instructions combinent la température et le temps de cuisson. En débutant par la première étape de la recette (01), le panneau de contrôle effectuera chaque étape afin de préparer le plat. Lorsque toutes les étapes de la recette sont terminées, le panneau de contrôle passe automatiquement à une température basse de 82 °C afin que le plat reste chaud jusqu'au moment de le servir. Au total, neuf étapes de recette peuvent être programmées.

COMMENT PROGRAMMER UNE ÉTAPE DE LA RECETTE

Pour définir une ou plusieurs des étapes de la recette, suivez les instructions ci-dessous :

1. Maintenez le bouton Recette appuyé. Ce dernier clignotera, indiquant que les paramètres de recette sont actifs. Cela activera également les étapes de la recette et la lettre « S » s'allumera, indiquant qu'elles sont actives.
 - Utilisez les flèches de réglage pour sélectionner l'étape de la recette. Commencez par la première étape de la recette (01).
 - Une fois l'étape de la recette désirée affichée, appuyez sur le bouton Recette pour passer au réglage suivant.
 2. Réglez les heures. Les chiffres des heures clignotent pour indiquer qu'elles sont sélectionnées.
 - Utilisez les flèches de réglage pour sélectionner le nombre d'heures souhaité.
 - Une fois le nombre d'heures désiré affiché, appuyez sur le bouton Recette pour passer au réglage suivant.
 3. Réglez les minutes. Les chiffres des minutes clignotent pour indiquer qu'elles sont sélectionnées.
 - Utilisez le bouton de commande pour sélectionner le nombre de minutes souhaité.
 - Une fois le nombre de minutes souhaité affiché, appuyez sur le bouton de commande pour passer au réglage suivant.
 4. Réglez la température. L'affichage central de la température clignote pour indiquer qu'elle est sélectionnée.
 - Utilisez le bouton de commande pour sélectionner la température souhaitée.
 - Une fois la température souhaitée affichée, maintenez appuyé le bouton Recette (Recipe) pour verrouiller les paramètres de cette étape de recette.
 - Pour configurer une autre étape de la recette, appuyez rapidement sur le bouton Recette afin de sélectionner une autre étape, programmant ainsi une cuisson comportant plusieurs étapes. Répétez la procédure ci-dessus autant que nécessaire.
- Ou,
- Maintenez de nouveau appuyé le bouton Recette pour sortir des menus et lancer la recette. Le bouton Recette ne clignotera plus.

REMARQUE : les étapes de la recette seront réinitialisées lorsque l'appareil sera éteint.

CONNEXION À L'APPLICATION SMOKE IT®

Suivez ces instructions pour connecter votre barbecue à l'application Smoke iT® avec votre appareil Android™ ou iOS®. L'application vous permettra de contrôler et de surveiller les températures de votre gril et de votre sonde à viande depuis votre appareil mobile. Profitez des avantages de la connectivité mobile Smoke IT®!

1. Téléchargez l'application Smoke iT®. Ouvrez l'application et autorisez Bluetooth® à être activé pour la configuration. Les nouveaux utilisateurs devront créer un compte et suivre les invites pour se connecter.
2. Si vous êtes à portée Bluetooth® (9 m / 30 pieds), l'application Smoke iT® détectera automatiquement votre gril. Sélectionnez votre modèle de gril. Si vous ne voyez pas votre gril sur l'écran, assurez-vous que votre appareil est connecté à une source d'alimentation et qu'il est allumé.
3. Nommez votre modèle de gril (c.-à-d. My Smoker) dans l'application et sélectionnez «Connecter» en bas de l'écran. Cela enregistrera votre modèle de gril dans le menu des appareils.
4. Dans le menu des appareils, cliquez sur le modèle de gril à connecter. Cela vous montrera l'écran du panneau de contrôle.
5. Cliquez sur l'option des paramètres (engrenage) dans le coin supérieur droit, entrez vos informations d'identification Wi-Fi, puis cliquez sur la coche en bas de l'écran pour vous connecter. Désormais, les icônes Bluetooth® et Wi-Fi (cloud) s'affichent dans le menu des appareils, indiquant que le gril est connecté.

Lors de l'utilisation de l'application, l'écran brillera lorsque le gril est actif et connecté. Si l'écran ou le gril de l'application s'assombrit dans le menu des appareils, vérifiez votre connexion sans fil ou votre source d'alimentation.

PROCÉDURE D'AMORCE DE LA TRÉMIE

Ces instructions doivent être respectées lors du premier allumage du gril et à chaque fois qu'il n'y a plus de granulés dans la trémie. La vis sans fin doit être amorcée pour permettre aux granulés de traverser la trémie et remplir le pot de combustion. **Si elle n'est pas amorcée, l'allumeur stoppera avant que les granulés ne soient brûlés et aucun feu ne prendra.** Suivez ces étapes pour amorcer la trémie :

1. Ouvrez ensuite le couvercle du corps principal. Retirez tous les composants de cuisson de l'intérieur du gril. Localisez le pot de combustion au bas du corps principal. Vérifiez que le pot de combustion n'est pas obstrué afin que l'allumage se fasse correctement.
2. Branchez le câble électrique à une source d'alimentation. Appuyez sur le bouton d'alimentation pour allumer l'appareil et tournez la molette de contrôle de température sur la position SMOKE. Vérifiez les éléments suivants :
 - Que vous entendez la vis sans fin tourner. Placez votre main au-dessus du pot de combustion et cherchez la circulation d'air. Ne placez pas votre main ou vos doigts à l'intérieur du pot de combustion. Cela peut provoquer des blessures.
 - Après environ une minute, vous devriez sentir l'odeur de l'allumeur qui brûle et commencer à ressentir que l'air devient plus chaud dans le pot de combustion. L'extrémité de l'allumeur ne devient pas rouge, mais est néanmoins brûlante. Ne touchez pas l'allumeur.
3. Après avoir vérifié que les composants électriques fonctionnent correctement, appuyez sur le bouton d'alimentation pour éteindre l'appareil.
4. Ouvrez le couvercle de la trémie. Assurez-vous qu'aucun objet étranger ne se trouve dans la trémie ou le système d'acheminement de la vis sans fin. Remplissez la trémie avec des granulés secs de bois naturel pour barbecue.
5. Appuyez sur le bouton d'alimentation pour allumer l'appareil. Laissez la molette de contrôle de température sur SMOKE. Maintenez le bouton Prime appuyé jusqu'à voir des granulés à l'intérieur du gril via le tube de la vis sans fin. Lorsque les granulés commencent à passer dans le pot de combustion, relâchez le bouton Prime.
6. Appuyez sur le bouton d'alimentation pour éteindre l'appareil.
7. Réinstallez les composants dans le corps principal. Le gril est désormais prêt à être utilisé.

PREMIÈRE UTILISATION - BRÛLAGE DU GRIL

Une fois votre trémie amorcée et avant de faire cuire des aliments sur votre gril pour la première fois, il est important d'effectuer un brûlage du gril. Allumez le gril et faites-le tourner à une température supérieure à 176 °C/350 °F (couvercle fermé) durant 30 à 40 minutes afin de brûler le gril et vous débarrasser de toute substance étrangère.

PROCÉDURE DE DÉMARRAGE AUTOMATIQUE

1. Branchez le câble électrique à une source d'alimentation mise à la terre. Ouvrez le couvercle du corps principal. Vérifiez que le pot de combustion n'est pas obstrué afin que l'allumage se fasse correctement. Ouvrez le couvercle de la trémie. Assurez-vous qu'aucun objet étranger ne se trouve dans la trémie ou le système d'acheminement de la vis sans fin. Remplissez la trémie avec des granulés secs de bois naturel pour barbecue.
2. Appuyez sur le bouton d'alimentation pour allumer l'appareil. Cela activera le cycle de démarrage. Le système d'acheminement de la vis sans fin commencera à tourner, l'allumeur commencera à rougeoier et le ventilateur aérera le pot de combustion. Le gril commencera à produire de la fumée lorsque le cycle de démarrage se mettra en place. Le couvercle du corps de l'appareil doit rester ouvert au cours du cycle de démarrage. Pour veiller à ce que le cycle de démarrage commence correctement, soyez à l'affût d'un grondement de flamme et assurez-vous de la production de chaleur.
3. Une fois l'épaisse fumée blanche dissipée, le cycle de démarrage sera terminé et vous pourrez commencer à profiter de votre gril à la température de votre choix !

ARRÊT DE VOTRE GRIL

1. Lorsque vous avez fini de cuisiner, tout en laissant le couvercle du corps principal fermé, appuyez sur le bouton d'alimentation pour éteindre l'appareil et placez la molette de contrôle de température sur OFF. Le gril débutera son cycle de refroidissement automatique. Le système de la vis sans fin arrêtera d'acheminer des combustibles, la flamme s'éteindra et le ventilateur continuera à tourner jusqu'à la fin du cycle de refroidissement.

ENTRETIEN ET MAINTENANCE

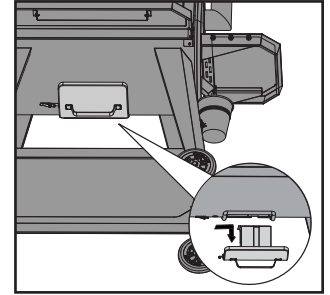
ATTENTION : débranchez toujours le câble électrique avant d'ouvrir le grill pour effectuer une inspection, un nettoyage, une maintenance ou un entretien. Veillez à ce que le grill soit totalement froid afin d'éviter toute blessure.

Avec un minimum d'entretien, chaque appareil de Pit Boss® vous confèrera de nombreuses années de service riches en saveurs. Suivez ces conseils de nettoyage et entretien pour vous occuper de votre grill :

1. NETTOYAGE DES CENDRES

- Au bas du baril du grill se trouve une fonction de nettoyage des cendres, vous donnant un accès facile à l'intérieur de votre foyer pour le nettoyer facilement aussi souvent que nécessaire. Pour vider, relâchez le loquet de la boucle sur le crochet du cendrier. Tout en tenant la poignée, faites glisser le cendrier hors de la boucle, puis tirez vers le bas pour le retirer. Une fois vidé, remplacez la boîte à cendres en la soulevant dans le bas du baril du grill, en faisant glisser la boîte à cendres vers la boucle, puis en fixant le crochet de la boîte à cendres avec le loquet de la boucle.

AVERTISSEMENT: Cette fonction ne peut être utilisée que lorsque le grill est refroidi.



2. ASSEMBLAGE DE LA TRÉMIE

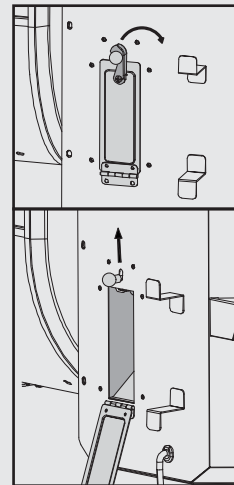
- Il est recommandé de retirer tous les granulés du système de vis sans fin si vous ne comptez pas utiliser votre grill durant une longue période. Vous pouvez faire cela simplement en faisant fonctionner votre grill avec une trémie vide, jusqu'à ce que tous les granulés aient disparu du tube de la vis sans fin.
- Retirez tous les débris éventuels du conduit d'aération du ventilateur qui se trouve au fond de la trémie. Une fois le panneau d'accès de la trémie retiré (voir **Schéma du câblage électrique**), enlevez avec soin toute la graisse accumulée sur les lames du ventilateur. Cela permet d'obtenir une aération suffisante pour le système d'acheminement.

FONCTION DE NETTOYAGE DE LA TRÉMIE

La trémie comprend une fonction de nettoyage pour permettre un nettoyage facile et la possibilité de changer les saveurs des granulés de bois. Pour vider, procédez comme suit:

1. Localisez la porte de nettoyage et le crochet de porte à l'arrière de la trémie.
2. Faites pivoter le crochet de la porte (en haut) vers la droite pour qu'il se détache de la tige du loquet de déverrouillage. Placez un seau propre et vide sous la porte de nettoyage et laissez la porte s'abaisser. Soulevez la tige du loquet de dégagement pour ouvrir la plaque de la goulotte de chute, permettant ainsi aux granulés de la trémie de se vider.
3. Une fois vide, poussez la plaque de la chute de chute en place à la main. Il se verrouille en place. Fermez la porte de nettoyage et faites pivoter le crochet de la porte sur la tige du loquet de dégagement pour le fixer.

REMARQUE: Utilisez une brosse à long manche ou un aspirateur d'atelier pour éliminer les pellets, la sciure et les débris en excès pour un nettoyage complet à travers le tamis de la trémie.



3. SONDÉS

- Des nœuds ou plis des câbles des sondes peuvent provoquer des dégâts. Les câbles doivent être enroulés, sans être serrés.
- *Même si les sondes sont en acier inoxydable, ne les passez pas au lave-vaisselle et ne les immergez pas sous l'eau. Des dégâts des eaux causés aux câbles internes provoqueront des courts-circuits et donc des relevés erronés. Si une sonde est endommagée, vous devez la remplacer.*

4. SURFACES INTÉRIEURES

- Il est recommandé de nettoyer votre pot de combustion régulièrement. Cela assurera l'allumage correct et évitera toute forte accumulation de débris ou de cendres dans le pot de combustion.
- Utilisez une brosse de nettoyage de gril à manche long (en laiton ou en métal doux), puis retirez la nourriture ou les accumulations sur les grilles de cuisson. Une bonne pratique consiste à le faire alors qu'elles sont encore tièdes suite à une précédente cuisson. Les feux de graisse sont causés par une accumulation de chutes de débris sur les composants de cuisson du gril. Nettoyez donc régulièrement l'intérieur de votre gril. En cas de feu de graisse, maintenez le couvercle du gril fermé afin d'étouffer le feu. Si celui-ci ne cesse pas rapidement, retirez la nourriture avec prudence, éteignez le gril et fermez le couvercle jusqu'à ce que le feu s'éteigne. Si vous avez du bicarbonate de soude, saupoudrez-en légèrement.
- Vérifiez régulièrement votre seau à graisse et nettoyez-le dès que nécessaire. N'oubliez pas le type de cuisson que vous effectuez.

IMPORTANT : à cause de leur forte chaleur, ne recouvrez pas le diffuseur de chaleur ou les sondes avec du papier aluminium.

5. SURFACES EXTÉRIEURES

- La tablette avant comprend un panneau amovible en dessous pour faciliter le nettoyage. Par le bas, poussez la plaque d'appui vers le canon principal pour la retirer. Nettoyez, puis remettez en place en la remettant en place.
- Nettoyez votre gril après chaque utilisation. Utilisez une eau savonneuse chaude pour retirer la graisse. N'utilisez pas de nettoyant pour four ni de détergents ou éponges abrasifs sur les surfaces externes du gril. **Toutes les surfaces peintes ne sont pas couvertes par la garantie, elles font partie de la maintenance et de l'entretien généraux.** Concernant les griffures sur la peinture, l'usure ou l'écaillage du vernis, toutes les surfaces peintes peuvent être retouchées à l'aide d'une peinture haute température pour barbecue.
- Utilisez une housse de gril pour protéger complètement ce dernier ! Une housse est la protection idéale contre les aléas météorologiques et les polluants extérieurs. Lorsque vous n'utilisez pas l'appareil ou que vous le rangez pour une longue période, placez-le sous une housse dans un garage ou un abri de jardin.

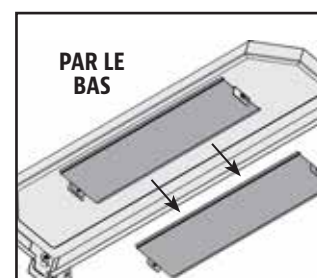


TABLEAU DE FRÉQUENCE DE NETTOYAGE (USAGE NORMAL)

ÉLÉMENT	FRÉQUENCE DE NETTOYAGE	MÉTHODE DE NETTOYAGE
Bas du gril principal	Toutes les 5 ou 6 utilisations du gril	Retirer, aspirer l'excès de débris
Pot de combustion	Toutes les 2 ou 3 utilisations du gril	Retirer, aspirer l'excès de débris
Grilles de cuisson	Après chaque utilisation du gril	Brûler l'excès, brosse en fil de laiton
Diffuseur de chaleur	Toutes les 5 ou 6 utilisations du gril	Gratter la plaque principale avec la plaque coulissante, ne pas laver
Étagères	Après chaque utilisation du gril	Éponge à récurer et eau savonneuse
Seau à graisse	Après chaque utilisation du gril	Éponge à récurer et eau savonneuse
Système d'acheminement de la vis sans fin	Lorsque le sac de granulés est vide	Laisser la vis sans fin pousser la sciure afin que la trémie soit vide
Composants électriques de la trémie	Une fois par an	Épousseter l'intérieur, nettoyer les lames du ventilateur avec de l'eau savonneuse
Conduit d'aération	Toutes les 5 ou 6 utilisations du gril	Épousseter, éponge à récurer et eau savonneuse
Sonde de température	Toutes les 2 ou 3 utilisations du gril	Éponge à récurer et eau savonneuse

UTILISATION DU CARBURANT DE GRANULÉS DE BOIS

Ces granulés de bois propres combustibles génèrent environ 8200 BTU par livre avec très peu de cendres, une faible teneur en humidité (5 à 7 %) tout en étant également neutres en carbone. Les granules de bois pour barbecue sont produits avec des matières premières pures (sciures) qui sont pulvérisées avec un broyeur à marteaux et forcées avec pression à travers une filière. Quand le granulé est forcé à travers la filière, il est cisailé, refroidi, trié, aspiré, puis emballé pour la consommation. Vérifiez auprès de votre distributeur local pour connaître la gamme d'essences disponibles dans votre région.



REMARQUE : Conservez toujours vos granulés de bois dans un endroit sec. Les exposer à l'humidité poussera les granulés à absorber l'humidité et produira un rendement calorifique plus faible ou provoquera un gonflement et une dissolution des granulés. Utilisez un bac ou sceau résistant à l'humidité et pouvant être scellé à nouveau pour la conservation.

LIGNES DIRECTRICES POUR LA CUISINE

Les styles de cuisson de fumage et de grillage peuvent vous donner des résultats différents dépendant du temps et la température. Pour obtenir de meilleurs résultats, conservez un registre de tout ce que vous cuisinez, à quelle température vous le cuisinez, ainsi que les résultats. Ajustez toutes ces variables, selon vos goûts, la prochaine fois. Ce n'est qu'en s'exerçant qu'on s'améliore. L'art culinaire du fumage à chaud équivaut à des temps de cuisson plus longs, mais il produit également une saveur de bois plus naturelle (et une « **bande de fumage** ») dans vos viandes. Une température de cuisson plus élevée, ce qui veut dire moins de temps de cuisson, vous offrira moins de saveur fumée.

CONSEIL : Pour de meilleurs résultats, laissez reposer les viandes après la cuisson. Ceci permet aux jus naturels de revenir dans les fibres de la viande, produisant ainsi une coupe plus juteuse et plus savoureuse. Le temps de repos peut n'être que 3 minutes et peut même aller jusqu'à 60 minutes, selon la taille des protéines.

STYLE DE CUISSON	FUMAGE CHAUD (très faible)	RÔTI (faible)	CUISSON FOUR (moyen)	GRILLAGE/CUISSON FOUR (moyen/élevé)	SAISIR (élevé)
Gamme de températures	93-135 °C / 199-275 °F	135-162 °C / 275-323 °F	162-190 °C / 323-374 °F	190-232 °C / 374-449 °F	232-260 °C / 449-500 °F

VOLAILLE	TAILLE	Saignant - 54 °C / 130 °F	À point - 60 °C / 140 °F	Bien cuit - 77 °C / 170 °F
Dinde (<i>entière</i>)	4,5-5,0 kg / 10-11 lb 5,3-6,4 kg / 12-14 lb 6,8-7,7 kg / 15-17 lb 8,2-10,0 kg / 18-22 lb 10,4-11,3 kg / 23-25 lb			Griller 90 - 120 minutes Griller 110 - 140 minutes Griller 130 - 160 minutes Griller 140 - 170 minutes Griller 150 - 180 minutes
Poulet (<i>entier</i>)	1,36-2,26 kg / 3-5 lb			Griller 1 - 1,5 heures
Pilons, poitrines	0,45 - 0,86 kg / 1 - 1,5 lb			Griller 30-60 minutes
Petits gibiers à plumes	0,45 - 0,86 kg / 1 - 1,5 lb			Griller 30-45 minutes
Canard	1,36-2,26 kg / 3-5 lb			Rôti ou sur le gril 2 - 2,5 heures

PORC	TAILLE	Précuit prêt à être réchauffé - 60 °C / 140 °F	À point 66 °C / 150 °F	Bien cuit 71 °C / 160 °F
Jambon (<i>Partie entièrement cuite et désossée, Porc fumé entier et avec os</i>)	2,5 cm / 1 po 1,36-1,81 kg / 3-4 lb 1,81-2,72 kg / 4-6 lb 2,26-3,62 kg / 5-8 lb 4,53-5,44 kg / 10-12 lb	12 minutes 50 minutes - 1 heure 1 - 2 heures 1 - 2½ heures 2 - 2¾ heures		
Longe de porc	1,36-1,81 kg / 3 - 4 lb		1 - 2 heures	2 - 3 heures
Rôti de couronne de côte	1,81-2,26 kg / 4 - 5 lb		1½ - 2 heures	2 - 3 heures
Côtelette (<i>longe, côte</i>)	1,9-2,5 cm / 0,75 - 1 po 3,1-3,9 cm / 1,25 - 1,5 po		10 - 12 minutes 14 - 18 minutes	
Filet	1,9-2,5 cm / 0,75 - 1 po		20 - 30 minutes	30 - 45 minutes
Rôti de longe de porc, sans os	1,36-2,26 kg / 3-5 lb		1¼ - 1¾ heures	1¾ - 2½ heures
Boston Butt (<i>Épaule de porc</i>)	3,62-4,53 kg / 8-10 lb			93 - 98 °C / 200 - 210 °F Température interne

BOEUF	TAILLE	CHALEUR	DURÉE APPROXIMATIVE DU TEMPS DE CUISSON		
			Saignant 54 °C / 130 °F	À point 60 °C / 140 °F	Bien cuit 65 °C / 150 °F
Steak (<i>New York, Porterhouse, faux filet, surlonge, T-bone, ou filet</i>)	1,9 cm / 0,75 po 2,5 cm / 1 po 3,8 cm / 1,5 po 5 cm / 2 po	Haut	Saisir pendant 8 à 10 minutes Saisir pendant 10 à 12 minutes Saisir pendant 10 minutes, griller pendant 8 à 10 minutes Saisir pendant 10 minutes, griller pendant 10 à 14 minutes		
Bifteck de hampe	0,6 - 12,7 cm / 0,25 - 0,5 po	Haut	Saisir 5-7 minutes		
Bavette	0,45 - 0,86 kg / 1 - 1,5 lb, 1,9 cm / 0,75 po	Moyen	Saisir pendant 4 minutes, griller pendant 8 à 10 minutes		
Kébab	2,5 - 3,8 cm / 1 - 1,5 po cubes	Moyen	Griller 10 - 12 minutes		
Filet	1,58 - 1,81 kg / 3,5 - 4 lb	Haut/Moyen	Saisir pendant 10 minutes, griller pendant 15 à 20 minutes		
Steak haché	1,9 cm / 0,75 po	Haut/Moyen	Saisir pendant 4 minutes, griller pendant 4 à 6 minutes		
Rôti de bœuf de faux-filet, sans os	2,26 - 2,72 kg / 5 - 6 lb	Moyen	Griller 1,5 - 2 heures		
Rôti trois pointes	0,9 - 1,13 kg / 2 - 2,5 lb	Haut/Moyen	Saisir pendant 10 minutes, griller pendant 20 à 30 minutes		
Rôti de côtes	5,44 - 6,35 kg / 12 - 14 lb	Moyen	2,5 - 2,75 heures		
Côtelettes de veau	2,5cm / 1 po	Moyen	10 - 12 minutes direct		
Poitrine	7,25 - 3,62 kg / 16 - 18 lb	Fumage chaud	Cuire jusqu'à ce que la température interne atteigne 91 °C / 195 °F		
AGNEAU	TAILLE	Saignant - 54 °C / 130 °F	À point - 60 °C / 140 °F	Bien cuit - 71 °C / 160 °F	
Rôti (frais)	2,26 - 2,72 kg / 5 - 6 lb		1 - 2 heures		
Rôti de couronne de côte	1,36 - 2,26 kg / 3-5 lb		1 - 1,5 heures	1,5 heures	
FRUITS DE MER	TAILLE	Saignant - 54 °C / 130 °F	À point - 60 °C / 140 °F	Bien cuit - 82 °C / 180 °F	
Poisson (entier)	0,5 kg / 1 lb. 0,9 - 1,1 kg / 2 - 2,5 lb 1,4 kg / 3 lb			Griller 10 - 20 minutes Griller 20 - 30 minutes Griller 30 - 45 minutes	
Poisson (filets)	0,6-1,3 cm / 0,25 - 0,5 po			Griller 3 - 5 minutes jusqu'à ce que le poisson s'émiette	
Queue de homard	0,15 kg / 5 onces 0,3 kg / 10 onces			Griller 5 - 6 minutes Griller 10 - 12 minutes	
GIBIER SAUVAGE	TAILLE	Saignant - 60 °C / 140 °F	À point - 71 °C / 160 °F	Bien cuit - 77 °C / 170 °F	
Rôti (frais)	2,26 - 2,72 kg / 5-6 lb		1 - 1,5 heures	1,5 - 2 heures	
Grandes coupes (frais)	3,62 - 4,53 kg / 8-10 lb		1 heure	1,5 heures	

CONSEILS ET TECHNIQUES

Suivez ces conseils et techniques utiles, transmis par des propriétaires de Pit Boss®, notre personnel et clients comme vous, afin de vous familiariser avec votre gril:

1. SÉCURITÉ ALIMENTAIRE

- Garder propre tout ce qui se trouve dans la cuisine et dans la surface de cuisson. Utilisez un plat et des ustensiles différents pour la viande cuite et pour préparer ou transporter la viande crue sur le gril. Ceci permettra d'éviter toute contamination croisée des bactéries. Chaque marinade ou sauce pour badigeonner devrait avoir son propre ustensile.
- Gardez les aliments chauds au chaud (au-dessus de 60°C / 140°F) et gardez les aliments froids au froids (moins de 3°C / 37°F).
- Une marinade ne devrait jamais être conservée pour une utilisation ultérieure. Si vous comptez l'utiliser pour la servir avec votre viande, assurez-vous de la faire bouillir avant de servir.
- Les aliments cuits et les salades ne devraient pas être laissés dehors dans la chaleur pendant plus d'une heure. Ne laissez pas les aliments chauds à l'extérieur du réfrigérateur pendant plus de deux heures.
- Décongeler et mariner les viandes par réfrigération. Ne décongelez pas la viande à température ambiante ou sur le comptoir. Les bactéries peuvent grandir et se multiplient rapidement dans les aliments chauds et humides. Lavez-vous bien les mains avec de l'eau tiède savonneuse avant de commencer à préparer votre plat, et après avoir manipulé de la viande fraîche, du poisson et de la volaille.

2. PRÉPARATION DE CUISSON

- Soyez préparé ou **Mise en place**. Ceci fait référence à la préparation de la recette, le combustible, les accessoires, les ustensiles et tous les ingrédients dont vous aurez besoin à côté du gril avant de commencer la cuisson. Aussi, lisez la recette complète, du début à la fin, avant d'allumer le gril.
- Un tapis protecteur pour BBQ peut être très utile. En raison des accidents qui surviennent en raison de la manipulation des aliments et des différents styles de cuisson, ce tapis aidera à protéger les dalles de votre patio ou de votre terrasse contre tout risque de tache de graisse ou déversements accidentels

3. CONSEILS ET TECHNIQUES DE GRILLADE

- Pour infuser plus de saveur fumée et gardez vos viandes juteuses, cuisez-les plus longtemps à une température plus basse (également connu sous le nom de **faible et lent**). La viande fermera ses fibres après avoir atteint une température interne de 49°C (120°F). La pulvérisation en brouillard et l'épandage sont d'excellents moyens permettant d'éviter que la viande ne se dessèche.
- Lorsque vous saisissez vos viandes, cuisinez toujours avec le couvercle fermé. Utilisez toujours un thermomètre à viande pour évaluer la température interne des aliments que vous cuisinez. Fumer la nourriture avec des granulés de bois fait rosir la viande et la volaille. **La bande rose** (après la cuisson) est aussi appelée anneau de fumée et est très appréciée par les chefs de plein air.
- Il est fortement recommandé d'appliquer les sauces à base de sucre vers la fin de la cuisson pour éviter les brûlures et flambées.
- Laissez un espace de dégagement entre les aliments et les extrémités du baril pour une bonne circulation de la chaleur. Beaucoup d'aliments sur une grille de cuisson encombrée prendront plus de temps à cuire.
- Utilisez des pinces avec une longue poignée pour retourner toutes les viandes et des spatules pour retourner les burgers et le poisson. L'utilisation d'un ustensile perçant, comme une fourchette, permet de piquer la viande et de laisser s'évacuer les jus.
- Les aliments dans des casseroles profondes nécessitent plus de temps pour cuire que dans une poêle peu profonde.
- C'est une bonne idée de mettre les aliments grillés sur une grande assiette préchauffée pour garder vos aliments chauds. Les viandes rouges comme les steaks et rôtis seront meilleurs si vous les laissez reposer pendant quelques minutes avant de les servir. Ceci permet aux jus délicieux que la chaleur a fait remonter à la surface de retourner au centre et de lui donner plus de saveur.

DÉPANNAGE

Un nettoyage et une maintenance adaptés, ainsi que l'utilisation de combustible propre, sec et de qualité évitera la plupart des problèmes de fonctionnement. Lorsque votre gril Pit Boss® est mal ou peu utilisé, les astuces de dépannage suivantes peuvent s'avérer utiles. Pour consulter des FAQ, rendez-vous sur www.pitboss-grills.com. Vous pouvez également contacter votre revendeur local agréé par Pit Boss® ou le service clients pour obtenir de l'aide.

ATTENTION : débranchez toujours le câble électrique avant d'ouvrir le gril pour effectuer une inspection, un nettoyage, une maintenance ou un entretien. Veillez à ce que le gril soit totalement froid afin d'éviter toute blessure.

PROBLÈME	CAUSE	SOLUTION
Aucun éclairage sur le panneau de contrôle	Non connecté à une source d'alimentation	Veillez à ce que l'appareil soit relié à une source d'alimentation en état de marche. Réinitialisez le disjoncteur. Veillez à ce que la prise DDFT fonctionne à un minimum de 10 A (consultez le Schéma du câblage électrique pour accéder aux composants électriques). Veillez à ce que tous les câblages soient fermement reliés et secs.
	Fusible grillé sur le panneau de contrôle	Retirez le panneau d'accès de la trémie (consultez le Schéma du câblage électrique), appuyez sur les languettes en plastique maintenant le panneau de contrôle en place et poussez le contrôleur à l'intérieur de la trémie pour le dégager. Vérifiez le fusible pour voir si un câble est cassé ou noirci. Si tel est le cas, le fusible doit être remplacé manuellement.
	La prise DDFT a disjoncté.	Retirez le panneau d'accès de la trémie (consultez le Schéma du câblage électrique) et veillez à ce que tous les raccordements de câbles soient fermement connectés et secs. Veillez à ce que la prise DDFT fonctionne à un minimum de 10 A.
	Panneau de contrôle défectueux	Le panneau de contrôle doit être remplacé. Contactez le service clients pour obtenir une pièce de rechange.
Le feu du pot de combustion ne s'allume pas	La vis sans fin n'est pas amorcée	Avant d'utiliser l'appareil pour la première fois ou dès que la trémie est entièrement vide, la vis sans fin doit être amorcée pour permettre aux granulés de remplir de tube. Si elle n'est pas amorcée, l'allumeur stoppera avant que les granulés n'atteignent le pot de combustion. Suivez la Procédure d'amorce de la trémie.
	Le moteur de la vis sans fin est bloqué	Retirez les composants de cuisson du corps principal de l'appareil. Appuyez sur le bouton d'alimentation pour allumer l'appareil, tournez la molette de contrôle de température sur la position SMOKE et inspectez le système d'acheminement de la vis sans fin. Confirmez visuellement que la vis sans fin achemine des granulés dans le pot de combustion. Si le processus ne fonctionne pas correctement, appelez le service clients pour obtenir de l'aide ou une pièce de rechange.
	Problème d'allumeur	Retirez les composants de cuisson du corps principal de l'appareil. Appuyez sur le bouton d'alimentation pour allumer l'appareil, tournez la molette de contrôle de température sur la position SMOKE et inspectez l'allumeur. Confirmez visuellement que l'allumeur fonctionne en plaçant votre main au-dessus du pot de combustion en quête de chaleur. Confirmez visuellement que l'allumeur dépasse d'environ 13 mm/0,5 po dans le pot de combustion. S'il ne fonctionne pas correctement, suivez la Procédure de démarrage manuel pour continuer à utiliser votre gril. Appelez le service clients pour obtenir de l'aide ou une pièce de rechange.
La lecture de la température réelle ne s'ajustera pas	Sonde de grillage sale	Suivez les instructions d'Entretien et maintenance.
	La sonde du gril est cassée	La sonde du gril doit être remplacée. Contactez le service clientèle.
Le gril ne parvient pas à une température stable ou n'arrive pas à la maintenir	Écoulement d'air insuffisant dans le pot de combustion	Vérifiez qu'il n'y a pas d'accumulation de cendres ou d'obstruction dans le pot de combustion. Suivez les instructions d'Entretien et maintenance en cas d'accumulation de cendres. Vérifiez le ventilateur. Assurez-vous qu'il fonctionne correctement et que le conduit d'entrée d'air n'est pas bouché. Suivez les instructions d'Entretien et maintenance si celui-ci est sale. Vérifiez le bon fonctionnement du moteur de la vis sans fin et assurez-vous que le tube de la vis sans fin n'est pas bloqué. Une fois toutes les étapes précédentes effectuées, démarrez le gril, configurez la température sur SMOKE et attendez 10 minutes. Vérifiez que la flamme produite est vive.
	Manque de combustible, combustible de mauvaise qualité ou obstruction du système d'acheminement	Vérifiez que le niveau de combustible dans la trémie est suffisant, remplissez si besoin. Si la qualité des granulés de bois est mauvaise ou que leur taille est trop grande, le système d'acheminement peut s'obstruer. Retirez les granulés et suivez les instructions d'Entretien et maintenance.
	Sonde de température	Vérifiez le statut de la sonde de température. Suivez les instructions d'Entretien et maintenance si celui-ci est sale. Contactez le service clients pour obtenir une pièce de rechange en cas de dommage.

Le grill produit trop de fumée ou une fumée décolorée	Accumulation de graisse	Suivez les instructions d'Entretien et maintenance.
	Qualité des granulés de bois	Retirez les granulés de bois humides de la trémie. Suivez les instructions d'Entretien et maintenance pour procéder au nettoyage. Remplacez-les par des granulés de bois secs.
	Le pot de combustion est bloqué	Retirez les granulés de bois humides du pot de combustion. Suivez la Procédure d'amorce de la trémie.
	Arrivée d'air insuffisante pour le ventilateur	Vérifiez le ventilateur. Assurez-vous qu'il fonctionne correctement et que le conduit d'entrée d'air n'est pas bouché. Suivez les instructions d'Entretien et maintenance si celui-ci est sale.
Flambées fréquentes	Température de cuisson	Essayez de cuire à plus faible température. La graisse possède un point d'inflammabilité. Maintenez une température inférieure à 176 °C/350 °F lorsque vous cuisez des aliments très gras.
	Accumulation de graisse sur les composants de cuisson	Suivez les instructions d'Entretien et maintenance.
Code d'erreur « ErP »	L'appareil n'a pas été éteint correctement lors de sa dernière connexion à l'alimentation.	Une fonctionnalité de sécurité empêche un redémarrage automatique. Appuyez sur le bouton d'alimentation pour éteindre l'appareil, attendez deux minutes, puis appuyez de nouveau sur le bouton d'alimentation pour allumer l'appareil. Tournez la molette de contrôle sur SMOKE ou la température de votre choix. Si le code d'erreur s'affiche toujours, contactez le service clients.
	Coupure de courant alors que l'appareil est allumé.	
Code d'erreur « ErH »	L'appareil a surchauffé, probablement à cause d'un feu de graisse ou un d'excès de combustible.	Appuyez sur le bouton d'alimentation pour éteindre l'appareil et laissez-le refroidir. Suivez les instructions d'Entretien et maintenance. Après entretien, retirez les granulés et vérifiez le bon positionnement de tous les composants. Une fois l'appareil refroidi, appuyez sur le bouton d'alimentation pour l'allumer et sélectionnez la température souhaitée. Si le code d'erreur s'affiche toujours, contactez le service clients.
Code d'erreur « ErL »	Le grill ne parvient pas à effectuer le cycle de démarrage	Vérifiez le bon positionnement des éléments de cuisson. Vérifiez que la trémie contient assez de combustible ou que le système d'alimentation n'est pas obstrué. Retirez les granulés et suivez les instructions d'Entretien et maintenance. Vérifiez la sonde du grill. Confirmez si la température réelle est correcte et précise. Suivez les instructions d'Entretien et maintenance si celui-ci est sale. Vérifiez le positionnement de l'allumeur et s'il chauffe correctement. En cas de froid extrême, le grill peut nécessiter un second démarrage. Éteignez le grill, attendez, puis rallumez-le. Vérifiez le ventilateur. Assurez-vous qu'il fonctionne correctement. Suivez les instructions d'Entretien et maintenance si celui-ci est sale.
	Le grill ne restera pas allumé	
Code d'erreur « Err » avec l'icône GRANULÉ visible	Manque de combustible, combustible de mauvaise qualité, obstruction du système d'acheminement ou vis sans fin bloquée	Vérifiez que le niveau de combustible dans la trémie est suffisant, remplissez si besoin. Si la qualité des granulés de bois est mauvaise ou que leur taille est trop grande, le système d'acheminement peut s'obstruer. Retirez les granulés et suivez les instructions d'Entretien et maintenance.
Code d'erreur « Err » avec l'icône d'ALLUMEUR clignotante	L'allumeur ne fonctionne pas correctement, n'établit pas de connexion	Remove cooking components from the Main Barrel. Press the Power Button to turn the unit on and inspect the igniter. Visually confirm that the igniter is working by placing your hand above the burn grate and feeling for heat. Visually confirm that the igniter is aligned with the hole in the burn grate, and open to light the pellets. If not operating properly, call Customer Care for assistance or a replacement part.
	Échec de l'allumeur	Igniter needs to be replaced. Contact Customer Care for replacement part.
Code d'erreur « Err » avec l'icône de VIS SANS FIN clignotante	La vis sans fin n'est pas amorcée	Before the unit is used for the first time or anytime the hopper is completely emptied out, the auger must be primed to allow pellets to fill the feed system. If not primed, the igniter will timeout before the pellets ignite. Follow Hopper Priming Procedure .
	Le moteur de la vis sans fin est bloqué, ne pas établir de connexion	Remove cooking components from the Main Barrel. Press the Power Button to turn the unit on and inspect the auger feed system. Visually confirm that the auger is dropping pellets into the burn pot. If not operating properly, call Customer Care for assistance or a replacement part.
Code d'erreur « Err » avec l'icône de VENTILATEUR clignotante	Fan is not working properly, ne pas établir de connexion	Check fan. Ensure it is working properly and air intake is not blocked. Remove hopper access panel (see Electric Wire Diagram for diagram), and check for any damage to the fan wires. Follow Care and Maintenance instructions if fan blades are dirty.

SCHÉMA DU CÂBLAGE ÉLECTRIQUE

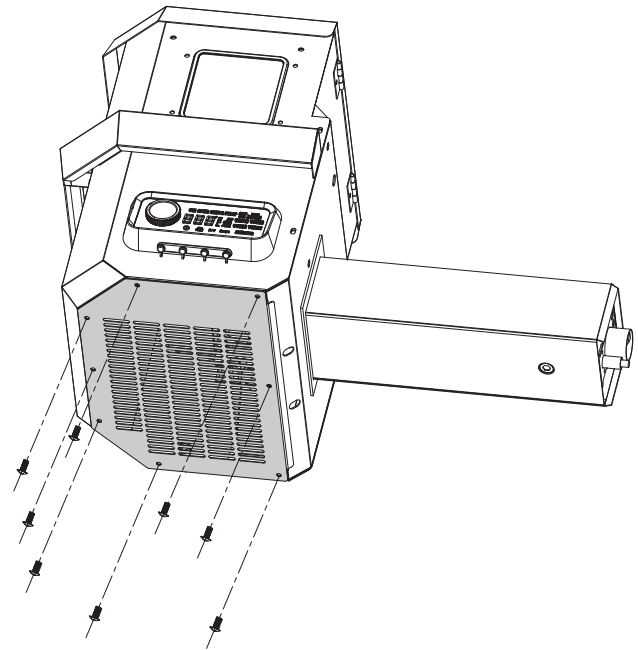
Le système du panneau de contrôle utilise une technologie complexe de grande valeur. Pour vous protéger contre les surtensions et les courts-circuits électriques, consultez le schéma du câblage ci-dessous afin de veiller à ce que votre source d'alimentation soit suffisante pour faire fonctionner l'appareil.

PB – EXIGENCES ÉLECTRIQUES

PRISE DE TERRE À 3 BROCHES DE 110 À 120 V, 60 Hz ET 275W

REMARQUE : les composants électriques, ayant été soumis à des tests de sécurité produit et des services de certification, sont conformes à une tolérance de test de ± 5 à 10 %.

TRouvez ET RETIREZ LES HUIT VIS DU PANNEAU D'ACCÈS SUR LE CÔTÉ DE LA TRÉMIE.



INDICE DE CONSOMMATION DE CARBURANT:
2,0 KG/H
(4,4 LB/H)

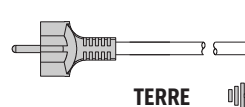
INDICATEUR

K : NOIR
W : BLANC
R : ROUGE
Y : JAUNE
P : VIOLET
O : ORANGE
G : VERT

PANNEAU DE CONTRÔLE

CORDON D'ALIMENTATION MIS À LA TERRE

VW-1, 105°C/221°F,
18-3 STANDARD CSA

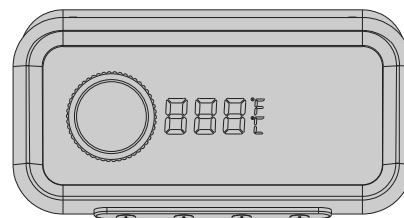
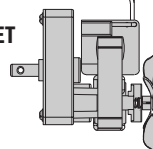


ASSEMBLAGE DE L'ALLUMEUR/CARTOUCHE CHAUFFANTE À HAUTE DENSITÉ

200 W, 120 V,
0.375 X 5.0 PO. / 9.5 X 127MM

MOTEUR DE LA VIS SANS FIN ET SYSTÈME D'ACHEMINEMENT

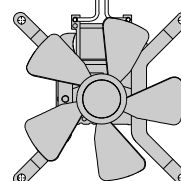
120 V, 50/60 Hz,
MOTEUR 2 TR/MIN



SONDE DU GRIL

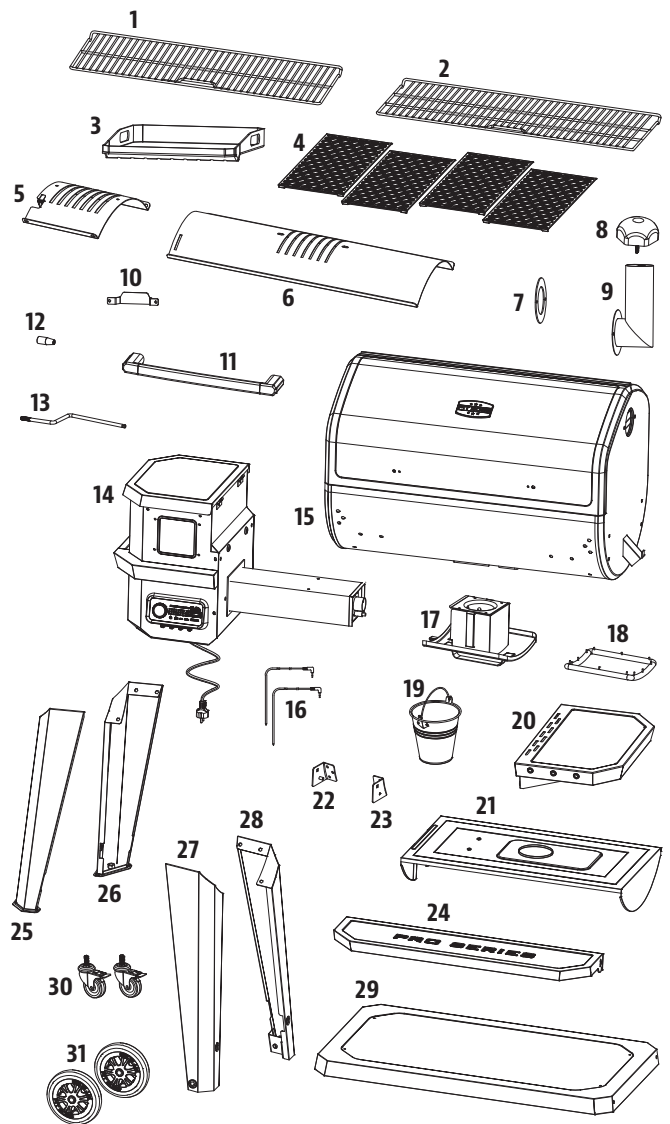
LIGHT
25W, 120V

VENTILATEUR À TIRAGE
120 V, 50/60 Hz,
1 PHASE



PIÈCES DE RECHANGE DU GRIL

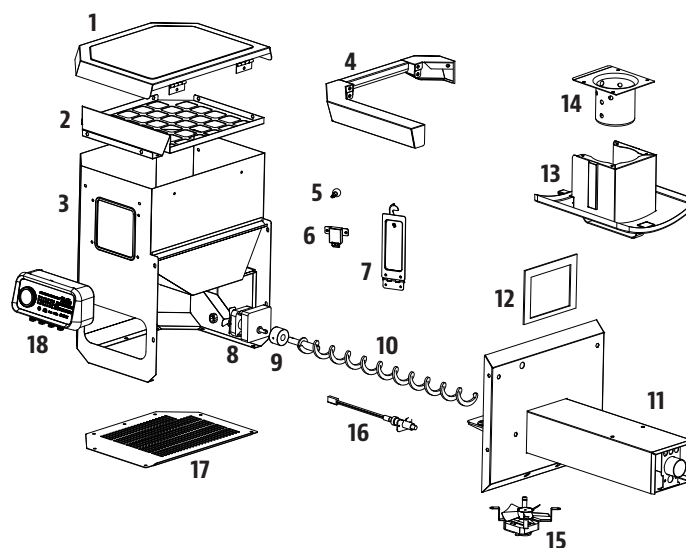
N°	Description
1	Grille de cuisson supérieure (x1)
2	Grille de cuisson du milieu (x1)
3	Gril en fonte (x1)
4	Grilles de cuisson (x4)
5	Plaque coulissante du diffuseur de chaleur (x1)
6	Plaque principale du diffuseur de chaleur (x1)
7	Joint de cheminée (x1)
8	Chapeau de cheminée (x1)
9	Sortie de cheminée (x1)
10	Support de rack (x1)
11	Poignée pour couvercle (x1)
12	Poignée de la barre de réglage du grilloir à flamme (x1)
13	Barre de réglage du grilloir à flamme (x1)
14	Assemblage de la trémie (x1)
15	Assemblage gril principal (x1)
16	Sonde de cuisson (x2)
17	Boîte à cendres (x1)
18	Joint de boîte à cendres (x1)
19	Seau à graisse (x1)
20	Étagère latérale (x1)
21	Plaque de diffusion (x1)
22	Support pour étagère avant/gauche (x1)
23	Support pour étagère avant /droit (x1)
24	Étagère avant (x1)
25	Pied de support gauche - avant (x1)
26	Pied de support gauche - arrière (x1)
27	Pied de support droit - avant (x1)
28	Pied de support droit - arrière (x1)
29	Étagère inférieure (x1)
30	Roulettes pivotantes à frein (x2)
31	Roue (x2)
A	Vis (x28)
B	Rondelle (x24)
C	Rondelle de blocage (x22)
D	Crochets à ustensiles (x3)
E	Goupille bêta pour roue (x2)
F	Rondelle pour roue (x2)
G	Goupille cannelée pour roue (x2)
H	Vis (x2)
I	Écrous (x2)
J	Bague (x2)



REMARQUE : en raison du développement continu du produit, des pièces peuvent faire l'objet de modifications sans préavis.

PIÈCES DE RECHANGE DE LA TRÉMIE

N°	Description
1-PSH	Couvercle de la trémie (x1)
2-PSH	Écran de sécurité de la trémie
3-PSH	Boîtier de la trémie (x1)
4-PSH	Poignée de la trémie (x1)
5-PSH	Poignée de blocage de la boîte de dépôt (x1)
6-PSH	Assemblage de la boîte de dépôt (x1)
7-PSH	Porte de la boîte de dépôt (x1)
8-PSH	Moteur de la vis sans fin (x1)
9-PSH	Bague en nylon (x1)
10-PSH	Assemblage de la vis sans fin (x1)
11-PSH	Boîtier de la vis sans fin (x1)
12-PSH	Joint du boîtier de la trémie (x1)
13-PSH	Boîte à cendres (x1)
14-PSH	Pot de combustion (x1)
15-PSH	Ventilateur de combustion (x1)
16-PSH	Allumeur (x1)
17-PSH	Panneau d'accès de la trémie (x1)
18-PSH	Panneau de contrôle (x1)



GARANTIE

CONDITIONS

Tous les grils de granulés de bois de Pit Boss®, fabriqués par Dansons, contiennent une garantie limitée à partir de la date de vente par le propriétaire initial. La garantie entre en vigueur la date d'achat, et une preuve de la date d'achat ou copie de votre achat de vente original est requise pour valider la garantie. Si le client n'est pas en mesure de produire une preuve de l'achat ou si la date de couverture de la garantie est dépassée, il sera tenu de payer les pièces, l'expédition et la main-d'œuvre.

Dansons offre une garantie de cinq (5) ans contre les défauts et fabrication sur toutes les pièces, et cinq (5) ans sur les composants électriques. Dansons garantit que toute partie(s) sont exempte de défauts de matériel et de fabrication, pour la durée d'utilisation et de propriété de l'acheteur initial. La garantie ne couvre pas les dommages causés par l'usure, tels que les rayures, les bosses, les coups, les éclats ou les fissures cosmétiques mineures. Ces changements esthétiques du gril n'affectent pas sa performance. La réparation ou le remplacement d'une pièce ne prolonge pas la garantie limitée au-delà de cinq (5) ans à partir de la date d'achat.

Pendant la période de la garantie limitée, l'obligation de Dansons sera limitée à fournir le remplacement des composants couverts et/ou défectueux. Tant que cela se produit pendant la période de la garantie, Dansons ne vous facturera pas sur la réparation ou le remplacement des pièces retournées, le port-payé, si Dansons détermine que ces pièces se révèlent défectueuses après inspection. Dansons ne sera pas tenu responsable des frais de transport, du coût salarial ou des droits d'exportation. Sauf disposition contraire dans ces conditions de garantie, la réparation ou le remplacement des pièces de la façon et pour la durée fixée ci-dessous, remplira le devoir de toutes les responsabilités et obligations directes et dérivées de Dansons envers vous.

Dansons prend toutes les précautions pour utiliser les matériaux qui retardent la formation de la rouille. Même avec ces garanties, le revêtement protecteur peut être compromis par diverses substances et conditions qui échappent au contrôle de Dansons. Les hautes températures, l'humidité excessive, le chlore, les gaz industriels, les engrais, les pesticides utilisés pour les pelouses et le sel sont quelques-unes des substances pouvant affecter les revêtements métalliques. C'est pour ces raisons que les garanties limitées ne couvrent pas la rouille ni l'oxydation, à moins que le composant du gril présente une perte d'intégrité structurelle. Si les scénarios décrits ci-dessus devaient se produire, veuillez vous référer à la section de soin et de maintenance pour prolonger la

durée de vie de votre appareil. Dansons recommande l'utilisation d'une couverture de grill lorsqu'il n'est pas utilisé.

Les garanties s'appliquent à un usage domestique et utilisation normale du grill et aucune des garanties limitées ne s'applique à un grill utilisé pour des applications commerciales.

EXCEPTIONS

Il n'existe pas de garantie de performance écrite ou implicite sur les appareils Pit Boss®, car le fabricant ne contrôle pas l'installation, le fonctionnement, le nettoyage, l'entretien ou le type de combustible brûlé. La garantie limitée ne s'appliquera pas, et Dansons n'assumera aucune responsabilité, si votre appareil n'a pas été installé, opéré, nettoyé et entretenu conformément aux instructions du fabricant. Toute utilisation de gaz non précisée dans ce manuel peut annuler la garantie. La garantie ne couvre pas les dommages ou ruptures causées par une mauvaise utilisation, mauvaise manutention ou des modifications.

Dansons et les fournisseurs autorisés Pit Boss®, déclinent toute responsabilité, légale ou autre, quant aux dommages accidentels ou consécutifs à la propriété ou aux personnes résultant de l'utilisation de ce produit. Si une réclamation est retournée contre Dansons basée sur la violation de cette garantie ou de tout autre type de garantie explicite ou implicite en droit, le fabricant ne sera en aucun cas tenu responsable des dommages-intérêts spéciaux, punitifs ou indirects de quelque nature que ce soit en surplus du prix d'achat original de ce produit. Toutes les garanties du fabricant sont énoncées ici et aucune réclamation ne sera effectuée contre le fabricant par le biais d'une garantie ou de représentation.

Certaines provinces n'autorisent pas l'exclusion ou la limitation des dommages accidentels ou consécutifs, ou les limitations des garanties implicites, de sorte qu'il est possible que les exclusions et limitations énoncées dans cette garantie limitée ne s'appliquent pas à vous. Cette garantie limitée vous donne des droits légaux spécifiques, et vous pourriez aussi avoir d'autres droits légaux qui pourront varier selon l'état ou la province.

COMMANDE DE PIÈCES DE REMPLACEMENT

Pour commander des pièces de rechange, contactez votre revendeur local Pit Boss® ou visitez notre boutique en ligne à l'adresse suivante: www.pitboss-grills.com

APPELEZ LE SERVICE À LA CLIENTÈLE

Si vous avez des questions ou des problèmes, veuillez communiquer avec le Service à la clientèle.

service@pitboss-grills.com | États-Unis: (480) 923-9630 | Canada (sans frais) : 1-877-942-2246

SERVICE DE GARANTIE

Appelez votre fournisseur de Pit Boss® le plus proche pour une réparation ou un remplacement de vos pièces. Dansons exige une preuve d'achat pour établir une réclamation sous garantie; Conservez donc votre reçu ou facture originale pour référence future. Le numéro de série et de modèle de votre Pit Boss® se trouve sur la trémie. Enregistrez les numéros ci-dessous, car l'étiquette peut s'user ou devenir illisible.

MODÈLE

NUMÉRO DE SÉRIE

DATE D'ACHAT

CONCESSIONNAIRE AUTORISÉ

RECETTES

UNE POITRINE CLASSIQUE

4 à 6 portions

Une poitrine entière de bœuf pèse environ 7,25 à 3,62 kg / 16 à 18 livres et possède trois parties distinctes : la couronne, le bout et la section plate. Utilisez la section plate car elle est maigre, compacte et produit de très belles tranches lorsque vous la tranchez.

Ingrédients :

1	poitrine de bœuf 2,2-3,6 kg / 5-8 lbs, 0,6 cm / ¼ po d'épaisseur de graisse
1 bouteille	moutarde jaune préparée
75 ml / 5 c. à s	assaisonnement
1 bouteille	sauce au piment fort
1 paquet	mélange sec de soupe aux oignons
375 ml / 1 ½ c.	bouillon de bœuf
40 ml / 8 cc	poivre noir

Saveur de granulés de bois suggérée : Caryer / Compétition

Instructions :

- Déposez une grande pellicule de plastique sur votre station de cuisine. Assez grande pour enrober une poitrine de bœuf. À l'aide d'un couteau aiguisé, faites une marque sur le dessous de la poitrine, une seule fois à contre sens. Ceci vous aidera à couper la poitrine une fois qu'elle est cuite, la coupe à contre sens vous offrira également un morceau de viande tendre qui fond dans la bouche. Le dessous est le côté non-gras, avec la couronne. Enduire avec une généreuse portion de moutarde préparée. Frottez légèrement sur toute la surface. Saupoudrer une bonne quantité d'assaisonnement sur la moutarde, puis frottez délicatement sur toute la surface. Retournez la poitrine de bœuf et répétez le processus. Enroulez la poitrine dans la feuille de plastique et conservez au frigo pendant la nuit ou pour environ 2 à 4 heures.
- Préparez le mélange de badigeonnage. Mélangez la sauce au chili, le mélange de soupe à l'oignon sec, le bouillon de bœuf et le poivre noir. Laisser reposer.
- Préchauffez le gril, puis réduire le réglage à faible température.**
- Placez la poitrine, côté gras vers le haut, au centre du gril préchauffé. Fermez le couvercle du gril. Faites cuire lentement jusqu'à ce que la viande soit tendre, environ 10-12 heures.
- Badigeonner la poitrine avec le mélange préparé toutes les demi-heures pendant les 3 premières heures.
- Continuez le processus de cuisson lente jusqu'à ce que la température atteigne 60-66°C / 140-150°F. Enlevez la poitrine du gril. **Faites monter la température du gril à 176°C / 350°F.**
- Placez la poitrine dans une poche en aluminium double couche. Versez 50 ml / ¼ de tasse de mélange de badigeonnage sur la poitrine dans la poche. Fermez la poche.
- Déposez la poche délicatement sur le gril. Faites fumer pendant 1 à 1 1/2 heures.

- Ouvrez la poche et utilisez un thermomètre à viande; La température interne doit atteindre 91°C / 195°F. La poitrine devrait être ferme, mais vous devriez quand même être en mesure de déchirer la viande à l'aide de vos doigts.
- Transférez la viande à un plateau et laissez-la reposer pendant 10 minutes. Coupez des tranches minces à contre sens pour servir.

SAUCISSE AVEC SAUCE CHUTNEY À LA MANGUE

4 à 6 portions

Ingrédients :

2	mangues (tranchées finement)
0.9 kg / 2 lbs	saucisse italienne (piquante ou douce)
10 ml / 2 cc	persil frais (haché)
15 ml / 1 c. à s.	poivron rouge (coupé en dés)
10 ml / 2 cc	miel
½	oignon rouge (coupé en dés)
½ bulbe	fenouil (coupé en dés)
5 ml / 1 cc	jus de lime
Pincée	sel

Saveur de granulés de bois suggérée : Caryer / Compétition

Instructions :

- Préchauffez le gril, puis réduire le réglage à FAIBLE-MOYEN (82-107°C / 180- 225°F).**
- Placez les saucisses sur le gril, espacées uniformément. Tournez toutes les dix minutes afin que tous les côtés soient grillés.
- Combinez tous les ingrédients restants pour fabriquer les chutney. Réfrigérez jusqu'à ce que vous soyez prêt à servir.
- Coupez la saucisse grillée en diagonale, puis servir avec le chutney sur le côté.

STEAK DE FROMAGE BLEU

4 portions

Ingrédients :

4	steak, T-bone ou faux-filet 2,54 cm / 1" d'épaisseur 0,28-0,62 kg / 10-12 onces chaque
113 g / 4 oz.	fromage bleu (émietté)
50 ml / ¼ c.	oignon vert (en fines tranches)

Saveur de granulés de bois suggérée : Caryer / Compétition / Whiskey

Instructions :

- Préchauffer le gril, puis laisser ou réduire légèrement (204-260°C / 400-500°F).**
- Enlevez l'excédent de gras de la viande et jetez.

- Placez les steaks sur le gril. Saisissez chaque côté, en retournant toutes les minutes.
- Réduisez la température à 135°C/275°F ou 163°C/ 325°F.** Retournez les steaks une dernière fois. Mélangez le fromage bleu et les oignons. Saupoudrez les steaks, fermez le couvercle du gril et faites griller jusqu'à ce qu'ils atteignent la cuisson désirée. Vérifiez la cuisson en coupant une tranche de viande près de l'os.

Variation : FAIRE SAISIR AVEC LA MÉTHODE INVERSÉE

Allumez le gril à faible température, puis placez les steaks sur le gril. Faites fumer à 82°C / 180°F, pendant 5 à 15 minutes. Une fois fumé à la cuisson désirée, tournez le gril sur HIGH et saisissez à votre goût.

CÔTES LEVÉES BBQ

4 à 6 portions

Ingrédients :

1.3-1.8 kg / 3-4 lbs	côtelettes <small>Côtes levées de porc juteuses / longe</small>
45 ml / 3 c. à s.	huile
5 ml / 1 cc	sel
5 ml / 1 cc	poivre
2 entiers	oignons (hachés)
30 ml / 2 c. à s.	vinaigre
30 ml / 2 c. à s.	sauce Worcestershire
125 ml / ½ c.	jus de pomme ou Soda
5 ml / 1 cc	paprika
5 ml / 1 cc	poudre de piment chili

Saveur de granulés de bois suggérée : **Caryer / Compétition / Pomme**

Instructions :

- Préchauffez le gril, puis réduire le réglage à faible température (82-107°C / 180-225°F).**
- Préparez les côtes levées en enlevant la couche épaisse de peau à l'arrière. Saupoudrez les côtes avec du sel et du poivre, pour goûter.
- Placez les côtes sur le gril, espacées uniformément. Faites fumer pendant 3 à 4 heures.
- Mélangez le reste des ingrédients dans une casserole et porter à ébullition. Laisser bouillir la sauce pendant cinq minutes pour épaissir.
- Enlevez du gril. **Faites monter la température du gril à 176°C / 350°F.**
- Placez chaque côte dans une poche en aluminium double couche. Versez 50 ml / ¼ de tasse de sauce sur les côtes dans la poche. Fermez la poche.
- Déposez la poche délicatement sur le gril. Faites fumer pendant 1 à 1½ heures.
- Ouvrez la poche. La viande aura exposé les extrémités des côtes et sera très tendre. Faites monter la température du gril à ÉLEVÉ (260°C / 500°F). Remettez les côtes sur le gril et badigeonnez avec de la sauce sur les deux côtés.
- Lorsque la sauce est caramélisée et collantes, retirez du grill et servez.

Variation: MÉTHODE « MEMPHIS DRY »

Faites monter la température du gril à ÉLEVÉ (260°C / 500°F). Remettez les côtes sur le gril et assaisonnez ou frottez avec un assaisonnement sec. Saisissez les côtes, retirez du grill et servez.

LES HAMBURGERS JUTEUX DE MAMAN

4 à 6 portions

Ingrédients :

900 g / 2 lbs	bœuf haché ou de buffle
15 ml / 3 cc	assaisonnement
2 entiers	œufs, à la température de la pièce
500 ml / 2 c.	chapelure (séché, fin)
6 - 8	hamburger / petits pains
6 - 8 slices	tranches de fromage (tranches fines)
30 ml / 2 cc	beurre

Saveur de granulés de bois suggérée : **Caryer / Compétition**

Instructions :

- Préchauffer le gril, puis laisser ou réduire légèrement (204-260°C / 400-500°F)**
- Mélangez la viande, l'assaisonnement, les œufs et la chapelure dans un bol. Divisez la viande en plusieurs portions et formez-les en petites boulettes de taille et de forme similaires au pain que vous servirez. Gardez les boulettes à environ 1,9 cm / ¾ po d'épaisseur.
- Déposez les boulettes sur le gril. Faites griller environ 6 minutes chaque côté, en évitant d'appuyer sur la viande. Faites un test pour vérifier la cuisson, à l'aide d'un thermomètre à viande instantané : la température interne devrait atteindre 71°C / 160°F. La viande peut devenir rose à l'extérieur en raison de la saveur fumée.
- Au cours des dernières minutes de cuisson, badigeonnez les petits pains avec du beurre et grillez légèrement sur le gril.
- Retirez les pains, burgers lorsqu'ils sont prêts. Ajoutez aux hamburgers du fromage à fondre, et servez.

CONSEIL: Une viande légèrement plus grasse rendra le hamburger plus juteux. Pour un choix plus léger, essayez le buffle haché.

STEAK DE SURLONGE AVEC DES OIGNONS DOUX ET DES POIVRONS

4 portions

Ingrédients :

2	steak de surlonge <small>épaisseur d'un pouce, coupé en 4 morceaux 0.45kg/1 lb</small>
10 ml / 2 cc	assaisonnement
5 moyens	oignons doux (coupés grossièrement)
2 entiers	poivrons (toutes sortes, hachée)
60 ml / 4 c. à s.	sauce soja
60 ml / 4 c. à s.	huile d'olive
Pincée	sel

Saveur de granulés de bois suggérée : **Caryer / Mesquite / Whiskey**

Instructions :

1. **Préchauffez le gril, puis réduire le réglage à 218°C / 425°F.**
2. Saupoudrez les deux côtés des steaks avec l'assaisonnement. Recouvrez et réfrigérez pendant au moins 1 heure.
3. Placez les oignons et les poivrons dans un plateau recouvert de papier d'aluminium. Mélangez l'huile d'olive et la sauce soja ensemble, puis versez sur le plateau. Saupoudrez de sel. Fermez complètement le paquet d'aluminium.
4. Placez le paquet sur le gril pendant environ 10 - 15 minutes ou bien jusqu'à ce que les légumes soient doux et tendres. Enlevez du gril, mais gardez sous l'emballage.
5. Placez les steaks sur le gril. Saisissez chaque côté, en retournant toutes les minutes.
6. Grillez jusqu'à la cuisson désirée, puis enlevez du gril. Placez sur les plats de service et garnissez-les avec les légumes chauds.

POULES DE CORNOUILLES AVEC DU RIZ MANDARIN

4 portions

Ingrédients :

- 4 entiers poules de Cornouailles
- 750 ml / 3 c. riz Mandarin
- 15 ml / 1 c. à s huile d'olive
- 5 ml / 1 tsp paprika fumé
- 250 ml / 1 c. marmelade d'orange

Riz Mandarin

- 59 ml / ¼ c. amandes (effilées)
- 30 ml / 2 c. à s céleri (haché)
- 1 petit oignon vert (tranché finement)
- 30 ml / 2 c. à s beurre
- 1 conserve segments d'orange mandarine (égouttée)
0,4 kg/11oz.
- 30 ml / 2 c. à s jus d'orange (concentré)
- 500 ml / 2 c. riz cuit

Saveur de granulés de bois suggérée : Caryer / Mesquite / Compétition

Instructions :

1. Préparez le riz mandarin en faisant sauter les amandes, le céleri et les oignons avec du beurre dans une petite poêle jusqu'à ce que les amandes soient légèrement grillées. Combinez le mélange avec les segments d'orange, jus d'orange et le riz cuit dans un bol et mettez de côté.
2. **Préchauffez le gril, puis réduire à MOYEN (135-177°C / 275-350°F).**
3. Rincez les poules de Cornouailles et essuyez à l'aide d'un papier absorbant. Remplissez les poules de Cornouailles avec la garniture et attachez les pattes à l'aide d'une ficelle. Badigeonnez légèrement les poules avec de l'huile; saupoudrez avec du paprika.
4. Placez les poules de Cornouailles sur le gril. Grillez pendant 45 à 60 minutes, jusqu'à ce que la viande soit tendre lorsqu'on la presse.

5. Badigeonnez les poules avec la marmelade à l'orange pendant les 20 dernières minutes de cuisson. Enlevez du gril et présentez sur un plateau de service.

CONSEIL : Si vous souhaitez récolter les gouttes de graisse pour faire une sauce, placez les poules dans un plat en aluminium et ajoutez assez d'eau ou de jus pour couvrir le fond à environ 0,6 cm / ¼ po d'épaisseur.

KEBABS DE CREVETTES AVEC BEURRE AU CURRY

4 portions

Ingrédients :

- 900g / 2 lbs crevettes (décortiquées, déveinées)
- 125ml / ½ c. beurre de curry
- 15 ml / 1 c. à s huile d'olive
- 1 lime
- aneth frais

Beurre de curry

- 125 ml / ½ c. beurre
- 30 ml / 2 c. à s oignons (hachés)
- 15 ml / 1 c. à s aneth frais
- 5 ml / 1 cc poudre de curry
- Pincée poudre d'ail

Saveur de granulés de bois suggérée : Mesquite / Compétition

Instructions :

1. Faites tremper les brochettes de bois dans l'eau pendant environ 1 heure.
2. **Préchauffez le gril, puis réduire à 135-177°C / 275-350°F.**
3. Préparez le beurre Curry en faisant fondre le beurre dans une petite casserole à feu moyen-élevé. Ajoutez les oignons, l'aneth, la poudre de curry et la poudre d'ail. Faites cuire pendant cinq minutes, puis retirez du feu.
4. Étalez les crevettes sur les brochettes, en laissant de l'espace entre les morceaux. Badigeonnez légèrement d'huile d'olive.
5. Placez les brochettes sur le gril et grillez jusqu'à ce que les crevettes soient blanches et tendres. Les crevettes grillent rapidement; prenez soin de ne pas trop les cuire. Tournez les brochettes une fois et badigeonnez-les avec du beurre de curry vers la moitié du temps de cuisson.
6. Déposez les crevettes grillées sur un plateau. Garnissez de quarts de lime et d'aneth.

CONSEIL : Pour enfourcher une crevette afin qu'elle soit droite, tenez-la en position écartée avec une main. Commencez par le bout (la queue) et insérez une brochette de bois ou de bambou dans la crevette afin qu'elle occupe toute sa longueur. Continuez à déplier la crevette avec vos doigts pendant cette étape.

CREVETTES AU BACON ET BASILIC SUR UN BÂTON

4 à 6 portions

Ingrédients :

24 grandes crevettes (décortiquées, déveinées)
 24 entières feuilles de basilic frais
 24 tranches bacon (tranches fines)

Saveur de granulés de bois suggérée : Cerise / Pomme

Instructions :

1. Faites tremper les brochettes de bois dans l'eau pendant environ 1 heure.
2. **Préchauffez le grill, puis réduire à 135-177°C / 275-350°F.**
3. Enroulez un morceau de crevettes et une feuille de basilic dans une fine tranche de bacon, puis enfilez sur une brochette, en laissant un espace entre les pièces.
4. Placez les brochettes sur le grill et grillez jusqu'à ce que les crevettes soient blanches et tendres et le bacon soit joliment grillé. Les crevettes grillent rapidement; prenez soin de ne pas trop les cuire. Retournez les brochettes régulièrement pour éviter de les brûler.
5. Retirez du grill et servir.

DINDE ENTIÈRE FUMÉE

Nourri une petite armée - les restes sont délicieux!

Ingrédients :

1 entière dinde (déglacée)
9-11,3 kg / 20-25 lbs
 60 ml / 4 c. à s assaisonnement
 5 ml / 1 cc paprika fumé
 45 ml / 3 c. à s beurre

Saveur de granulés de bois suggérée : Caryer / Cerise / Compétition

Instructions :

1. **Préchauffez le grill, puis réduire à 135-177°C / 275-350°F.**
2. Enlevez les cous et les abattis de la dinde. Rincez soigneusement la dinde et essuyez à l'aide d'un papier absorbant.
3. Dans un petit contenant, mélangez le beurre, 1/4 de l'assaisonnement et le paprika afin de former une pâte. Insérez délicatement votre main entre la peau extérieure et la viande de la poitrine. Bourrez la pâte à l'intérieur de la viande.
4. Avec l'assaisonnement restant, frotter la surface extérieure de la dinde.
5. Placez la dinde, poitrine vers le haut, dans le centre de la grille de cuisson et faites griller jusqu'à ce que la dinde soit tendre et brune dorée; la température interne doit atteindre 82°C / 180°F dans la partie la plus épaisse de la cuisse et 77°C / 170°F dans la poitrine.
6. Enlevez la dinde, couvrez-la avec une feuille d'aluminium et laissez-la reposer pendant 10 minutes avant de la découper.

CONSEIL : Si vous aimez utiliser la graisse et les jus qui se sont écoulés pour en faire une sauce onctueuse, alors placez la dinde sur une grille à l'intérieur d'un grand plat à rôtir en aluminium. Ajoutez environ 0,6 cm / ¼ po d'eau ou de bouillon et des épices dans le fond de la poêle. Surveillez les jus, vous devrez peut-être en ajouter plus pendant la période de rôtissage.

POULET À LA BIÈRE

2 à 6 portions

Ingrédients :

1 entier poulet
1,8-2,7 kg / 4-6 lbs
 1 cannette bière, n'importe laquelle
 45 ml / 3 c. à s assaisonnement

Saveur de granulés de bois suggérée : Caryer / Pomme / Compétition

Instructions :

1. **Préchauffez le grill, puis réduire à 135-177°C / 275-350°F.**
2. Ouvrez la boîte et versez la moitié de la bière dans un verre à boire. Laissez la moitié dans la boîte, et faites quelques trous supplémentaires dans la partie supérieure de la boîte pour augmenter la ventilation. Ajoutez un ¼ de l'assaisonnement à la boîte.
3. Rincez soigneusement le poulet et essuyez à l'aide d'un papier absorbant. Saupoudrez 1/4 de l'appât à l'intérieur du trou du poulet. Avec l'assaisonnement restant, frotter la surface extérieure du poulet.
4. Insérez délicatement la cannette verticale dans le creux du poulet, placez sur le grill et fermez le couvercle du grill. Cuire jusqu'à ce que le poulet soit doré et croustillant; la température interne doit atteindre 74°C / 165°F.
5. A l'aide de pinces, retirez délicatement le poulet avec la boîte en position verticale du grill. Laissez-le reposer pendant 5 minutes, puis enlevez délicatement la cannette de la poule. Soyez prudent de ne pas renverser, le liquide sera chaud.
6. Taillez le poulet et servez-le.

Variation : POULET À LA BIÈRE SANS ALCOOL

À l'aide de la même méthode décrite ci-dessus, mais au lieu d'une bière vous pouvez utiliser votre boisson favorite comme du cola (pas diète), jus de fruit ou de l'eau avec des assaisonnements en plus.

INFORMACIÓN DE SEGURIDAD

LAS FALLAS DE MANTENIMIENTO Y EL INCUMPLIMIENTO DE LAS DISTANCIAS REQUERIDAS ENTRE EL APARATO Y LOS MATERIALES COMBUSTIBLES SON CAUSAS IMPORTANTES DE INCENDIOS. ES DE LA MAYOR IMPORTANCIA QUE ESTE PRODUCTO SOLAMENTE SE UTILICE DE ACUERDO CON ESTAS INSTRUCCIONES.

Por favor lea y comprenda este manual en su totalidad antes de intentar armar, utilizar o instalar el producto. Esto garantizará que pueda utilizar su nuevo asador de pellets de madera de la manera más agradable y sin problemas. También le recomendamos conservar este manual para referencia futura.

PELIGROS Y ADVERTENCIAS

Debe comunicarse con su asociación local de vecinos, funcionarios de construcción o control de incendios, o con la autoridad competente, para obtener los permisos y la información necesarios sobre restricciones de instalación, como la instalación de un asador en una superficie combustible, los requisitos de inspección, o incluso la capacidad de usarlo, en su región.

1. Es necesario mantener un espacio libre mínimo de 914 mm (36 pulg.) entre materiales combustibles y los costados del ahumador y de 914 mm (36 pulg.) desde la parte trasera del ahumador a materiales combustibles. **No instale el aparato en pisos combustibles o en pisos protegidos con superficies combustibles, a menos que se obtengan las autorizaciones y los permisos apropiados de las autoridades competentes.** No use este aparato bajo techo, en un área cerrada o sin ventilación, dentro de hogares, vehículos, carpas, garajes. Este aparato de pellets de madera no debe colocarse bajo un techo o saliente de material combustible. Mantenga su asador en un área despejada y libre de materiales combustibles, gasolina y otros vapores y líquidos inflamables.

En caso de un fuego de grasa, debe APAGAR el asador y dejar la tapa cerrada hasta que se apague el fuego. Desconecte el cable de alimentación eléctrica. No arroje agua sobre el fuego. No trate de sofocar el fuego. Es muy recomendable mantener cerca un extintor de incendios aprobado para todo tipo de fuego (clase ABC). Si ocurre un incendio sin control, llame al Departamento de Bomberos.

2. Mantenga los cables de alimentación eléctrica y la combustible de las superficies calientes. No use su asador bajo la lluvia o cerca de cualquier fuente de agua.
3. Después de un período de almacenamiento o falta de uso, revise la rejilla de combustión para detectar obstrucciones, y la chimenea para obstrucciones del flujo de aire. Límpiela antes de usarla. Se requiere un cuidado regular y el mantenimiento para prolongar la vida útil de la unidad. **Si el asador se almacena en exteriores durante la temporada de lluvias o en temporadas de alta humedad, debe tener cuidado de que no entre agua en la tolva.** Siempre debe desconectar la alimentación eléctrica antes de realizar cualquier servicio o mantenimiento.

No transporte su asador mientras está en operación o mientras el asador está caliente. Asegúrese de que el fuego está completamente apagado y de que el asador está completamente frío al tacto antes de moverlo.

4. Se recomienda utilizar guantes resistentes al calor cuando opere el asador. No utilice accesorios no especificados para su uso con este aparato. No coloque una cubierta para asador u otra cosa inflamable dentro del espacio de almacenamiento debajo del asador.

5. Para evitar lesiones o daños al barreno, el aparato cuenta con una cubierta de seguridad en la tolva metálica. Esta cubierta no debe ser retirada a menos que así lo indique Servicio al Cliente o un distribuidor autorizado.

No se recomienda que usen este aparato los niños, las personas con capacidades físicas, sensoriales o mentales reducidas, o que no tengan suficiente experiencia y conocimientos, a menos que sean supervisados o instruidos por una persona responsable de su seguridad.

6. Algunas partes del asador podrían estar muy calientes y pueden causar lesiones graves. Mantenga a los niños pequeños y las mascotas alejados mientras lo utiliza.
7. No agranda los agujeros del encendedor ni las cámaras de combustión. De no cumplir con esta advertencia, podría causar un peligro de incendios y lesiones corporales y anulará su garantía.
8. El producto puede tener bordes o puntos afilados. El contacto puede provocar lesiones. Tratar con cuidado.

ELIMINACIÓN DE LAS CENIZAS

Las cenizas deben ser colocadas en un recipiente metálico con una tapa hermética. El recipiente cerrado de cenizas debe colocarse en un piso no combustible o en el suelo, lejos de todos los materiales combustibles, hasta su eliminación definitiva. Cuando elimine las cenizas enterrándolas en la tierra o dispersándolas, debe conservarlas en un recipiente cerrado hasta que todas las brasas se hayan enfriado por completo.

COMBUSTIBLE DE PELLETS DE MADERA

Este aparato de cocina de gránulos está diseñado y aprobado solo para combustibles de gránulos de madera completamente naturales. Cualquier otro tipo de combustible que se use en este aparato anulará la garantía y los anuncios de seguridad. Debe usar únicamente gránulos de madera completamente naturales, diseñados para parrillas de barbacoas para gránulos. No use combustible con aditivos. Les granulés de bois sont très sensibles à l'humidité et doivent toujours être stockés au sein d'un récipient hermétique. Si vous stockez votre gril, sans l'utiliser, pendant une période prolongée, nous vous recommandons de retirer tous les granulés de la trémie et de la vis sans fin de votre gril, afin d'éviter les bourrages. El valor calorífico medio del combustible de pélets es de 18,6-20,4 MJ/kg (8000-8770 Btu/lb), cenizas de <1%.

No use roca de lava, trozos de madera, carbón de leña, licores, petróleo, gasolina, líquido de encendedores o queroseno para encender o avivar el fuego en su asador.

Al momento de la impresión, no hay un estándar de la industria para pellets de madera para asador, aunque la mayoría de los fabricantes de pellets usan los mismos estándares aplicados para la fabricación de pellets de madera para calefacción casera. Puede encontrar más información en www.pelletheat.org o en el *Pellet Fuel Institute*.

Consulte a su distribuidor local sobre la calidad de los pellets en su región y pídale información la calidad de las distintas marcas. Dado que no existe ningún control sobre la calidad de los pellets utilizados, no asumimos ninguna responsabilidad por los daños causados por combustible de mala calidad.

CREOSOTA

La creosota, u hollín, es una sustancia similar a la brea. Cuando se quema produce un humo negro que deja residuos que también son de color negro. El hollín o creosota se forma cuando el aparato se utiliza de manera incorrecta, como: una colocación incorrecta de la rejilla de combustión, obstrucción del ventilador de combustión, falta de limpieza y mantenimiento del área de combustión, pellets afectados por la humedad, o una mala relación aire-combustible en la combustión.

Es peligroso utilizar este aparato si la llama se vuelve oscura y con hollín, o si la cámara de combustión se desborda de pellets. Al encenderse, esta creosota genera un fuego extremadamente caliente y sin control, similar a un fuego de grasa. Si esto ocurre, APAGUE la unidad, déjela enfriarse por completo, y luego inspecciónela para darle mantenimiento y limpiarla. Por lo general se acumula en las áreas de escape de gases.

Si se ha formado creosota dentro de la unidad, permita que esta se caliente a una temperatura baja, luego APAGUE el aparato y limpie la acumulación con una toalla de mano. Al ser similar a la brea, es mucho más fácil limpiarla cuando está caliente, ya que se vuelve líquida.

MONÓXIDO DE CARBONO ("EL ASESINO SILENCIOSO")

El monóxido de carbono es un gas incoloro, inodoro e insípido que se produce al quemar gas, madera, propano, carbón y otros combustibles. El monóxido de carbono reduce la capacidad de la sangre para transportar oxígeno. Los niveles bajos de oxígeno en la sangre pueden causar dolor de cabeza, mareos, debilidad, náuseas, vómitos, somnolencia, confusión, pérdida de la conciencia y muerte. Siga estas instrucciones para evitar que este gas incoloro e inodoro lo intoxique a usted, a su familia o a otras personas:

- Consulte a un médico si usted u otras personas presentan síntomas de resfriado o gripe mientras cocinan o en los alrededores del aparato. La intoxicación por monóxido de carbono, que puede confundirse fácilmente con gripe o resfriado, con frecuencia se detecta demasiado tarde.
- El consumo de alcohol y drogas aumentan los efectos de la intoxicación por monóxido de carbono.

El monóxido de carbono es especialmente tóxico para madres e hijos durante el embarazo, así como para los bebés, los ancianos, los fumadores y las personas con problemas de la sangre y el sistema circulatorio, como anemia o enfermedades cardíacas.

REGISTRO DE SEGURIDAD

De acuerdo con los procedimientos y especificaciones UL 2728A-2019 de UL, "aparatos de cocina con pellets combustibles" y ULC/ORD C2728-19 "equipos de quema de combustible con pellets". Los aparatos de cocina con pellets Pit Boss® han sido probados de manera independiente y registrados por CSA (un laboratorio de pruebas acreditado) de acuerdo con las normas UL y ULC.



DECLARACIÓN DE CUMPLIMIENTO DE LA FCC

Este equipo cumple con los límites de exposición a la radiación de la FCC establecidos para un entorno no controlado. Este equipo debe instalarse y operarse con una distancia mínima de 20 cm entre el radiador y su cuerpo. Este transmisor no debe ubicarse ni funcionar junto con ninguna otra antena o transmisor. Este dispositivo cumple con la Parte 15 de las Reglas de la FCC. El funcionamiento está sujeto a las dos condiciones siguientes: (1) este dispositivo no puede causar interferencias perjudiciales, y (2) este dispositivo debe aceptar cualquier interferencia recibida, incluidas las interferencias que pueden causar un funcionamiento no deseado.



Este equipo ha sido probado y cumple con los límites para un dispositivo digital de Clase B, de conformidad con la parte 15 de las Reglas de la FCC. Estos límites están diseñados para proporcionar una protección razonable contra interferencias perjudiciales en una instalación residencial. Este equipo genera, utiliza y puede irradiar energía de radiofrecuencia y, si no se instala y utiliza de acuerdo con las instrucciones, puede causar interferencias perjudiciales en las comunicaciones de radio. Sin embargo, no hay garantía de que no se produzcan interferencias en una instalación en particular. Si este equipo causa interferencias perjudiciales en la recepción de radio o televisión, lo que se puede determinar apagando y encendiendo el equipo, se recomienda al usuario que intente corregir la interferencia mediante una o más de las siguientes medidas:

- Reorientar o cambiar la ubicación de la antena receptora.
- Aumentar la separación entre el equipo y el receptor.
- Conectar el equipo a una toma de corriente a un circuito distinto al que está conectado el receptor.
- Consultar al distribuidor o a un técnico de radio/televisión experimentado para obtener ayuda.

Precaución: Se advierte al usuario que los cambios o modificaciones no aprobados expresamente por la parte responsable del cumplimiento podrían anular la autoridad del usuario para operar el equipo.

La palabra Bluetooth® y su logotipo son marcas comerciales registradas propiedad de Bluetooth SIG, Inc. y el uso de dichas marcas por parte de Espressif se efectúa bajo licencia. Otras marcas y nombres comerciales pertenecen a sus respectivos propietarios.

ÍNDICE

Información de seguridad	72	Cuidado y mantenimiento	91
Partes y especificaciones	76	Uso del combustible de pellets de madera	93
Preparación del ensamblaje	77	Lineamientos para cocinar	93
Instrucciones de ensamblaje		Consejos y técnicas.....	95
Montaje de las patas en el barril principal.....	77	Solución de problemas	96
Instalación de la repisa inferior.....	78	Diagrama de cableado eléctrico.....	98
Agregar ruedas al carro.....	78	Refacciones	
Instalación de la manija de la tapa	78	Refacciones para el asador	99
Ensamblaje de la repisa lateral	79	Refacciones para la tolva.....	100
Colocación de la repisa lateral	79	Garantía	
Colocación de la chimenea.....	79	Condiciones.....	100
Instalación de los soportes de la repisa frontal	80	Excepciones	101
Colocación de la repisa frontal.....	80	Cómo ordenar refacciones.....	101
Colocación de la placa difusora.....	80	Contacto con Servicio al Cliente.....	101
Instalación de los componentes del asador de llamas	81	Servicio bajo garantía	101
Instalación de los componentes para cocinar	82	Recetas	102
Montaje de la percha para rack	82		
Colocación de la cubeta de grasa.....	82		
Conexión a una fuente de alimentación eléctrica	83		
Instrucciones de operación			
Entorno del asador.....	84		
Rangos de temperaturas del asado.....	85		
Explicación del tablero de control.....	86		
Funciones del tablero de control.....	88		
Conectarse a la aplicación Smoke iT®	89		
Procedimiento de preparación de la tolva	90		
Primer uso - Quemado del asador	90		
Procedimiento de arranque automático.....	90		
Cómo apagar su asador	90		



AVISO DE DERECHOS DE AUTOR

Copyright 2021. Todos los derechos reservados. Ninguna parte de este manual puede ser copiada, transmitida, transcrita o almacenada en un sistema de respaldo, en ninguna forma y por ningún medio, sin el permiso explícito por escrito de,

Dansons

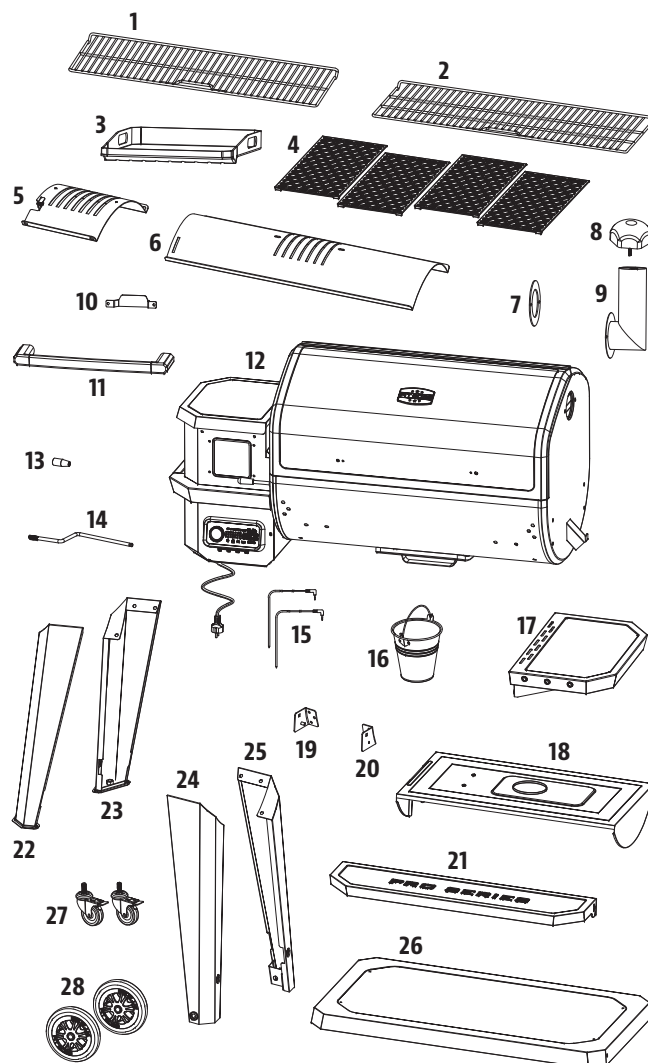
3411 North 5th Avenue, Suite 500, Phoenix, AZ, USA 85013
sales@pitboss-grills.com | service@pitboss-grills.com
www.pitboss-grills.com

Servicio al Cliente

EE.UU: (480) 923-9630 | Canada (Gratuita): 1-877-942-2246

PARTES Y ESPECIFICACIONES

N°	Descripción
1	Parrilla superior para cocinar (x1)
2	Parrilla media para cocinar (x1)
3	Plancha (x1)
4	Rejillas para cocinar (x4)
5	Cubierta deslizante de la rejilla de flama (x1)
6	Placa principal de rejilla de flama (x1)
7	Empaque de la chimenea (x1)
8	Tapa de la chimenea (x1)
9	Cañón de la chimenea (x1)
10	Percha de rack (x1)
11	Asa de la tapa (x1)
12	Barril principal/Conjunto de tolva (x1)
13	Manija de la barra de ajuste de la rejilla de flama (x1)
14	Barra de ajuste de la rejilla de flama (x1)
15	Sensore para carne (x2)
16	Cubeta de grasa (x1)
17	Repisa lateral (x1)
18	Placa difusora (x1)
19	Soporte de la repisa frontal / izquierda (x1)
20	Soporte de la repisa frontal / derecho (x1)
21	Repisa frontal (x1)
22	Pata de soporte izquierda - Delantera (x1)
23	Pata de soporte izquierda - Espalda (x1)
24	Pata de soporte derecha - Delantera (x1)
25	Pata de soporte derecha - Espalda (x1)
26	Repisa inferior (x1)
27	Rueda pivotante de cierre (x2)
28	Rueda (x2)
A	Tornillos (x28)
B	Arandelas (x24)
C	Arandelas de seguridad (x22)
D	Ganchos para implementos (x3)
E	Chavetas de rueda (x2)
F	Arandelas de eje de rueda (x2)
G	Clavijas de eje de rueda (x2)
H	Tornillos (x2)
I	Tuercas (x2)
J	Casquillos (x2)



NOTA: Debido a que los productos están en desarrollo constante, las partes están sujetas a cambios sin previo aviso. Llame a Servicio al Cliente si le faltan partes al ensamblar la unidad.

PB – REQUISITOS DE ALIMENTACIÓN ELÉCTRICA
110-120V, 60Hz, 275W, CONECTOR DE 3 CLAVIJAS CON TIERRA

MODELO	ENSAMBLADA (An. x Al. x Prof.)	PESO	ÁREA PARA COCINAR	RANGO DE TEMPERATURAS
PB PB1600P51	1587,5 MM x 813,5 MM x 1400 MM 62,50 PU x 32,03 PU x 55,12 PU	110,0 KG / 242,5 LB	PARRILLA SUPERIOR - 2 474,8 CM ² / 383,6 PU ² MEDIA - 3 249,6 CM ² / 503,7 PU ² PRINCIPAL - 4 587,1 CM ² / 711,0 PU ² TOTAL - 10 311,5 CM ² / 1 598,3 PU ²	82-260°C / 180-500°F

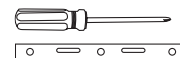
PREPARACIÓN DEL ENSAMBLAJE

Hay partes ubicadas en toda la caja de embarque, incluso debajo del asador. Inspeccione el asador, las partes y el paquete de accesorios antes de sacarlos de la caja de embarque. Deseche todos los materiales de embalaje desde el interior y el exterior de la parrilla antes del ensamblaje, luego revise e compárelas con la lista de referencia. Si hay partes faltantes o dañadas, no intente ensamblar el producto. Los daños por transporte no están cubiertos por la garantía. Comuníquese con su distribuidor o con Servicio al Cliente de Pit Boss® para solicitar partes.

service@pitboss-grills.com | EE.UU: (480) 923-9630 | Canada (Gratuita): 1-877-942-2246

IMPORTANTE: Para facilitar la instalación, es útil (pero no necesario) contar con dos personas para ensamblar esta unidad.

Herramientas requeridas para el ensamblaje: destornillador y nivel. *Las herramientas no están incluidas.*



INSTRUCCIONES DE ENSAMBLAJE

IMPORTANTE: Se recomienda leer cada paso en su totalidad antes de comenzar el ensamblaje. No apriete por completo los tornillos hasta que haya colocado todos los tornillos de ese paso. Las combinaciones de accesorios que incluyan una arandela de seguridad y una arandela deben instalarse con la arandela de seguridad más cerca de la cabeza del tornillo.

1. MONTAJE DE LAS PATAS EN EL BARRIL PRINCIPAL

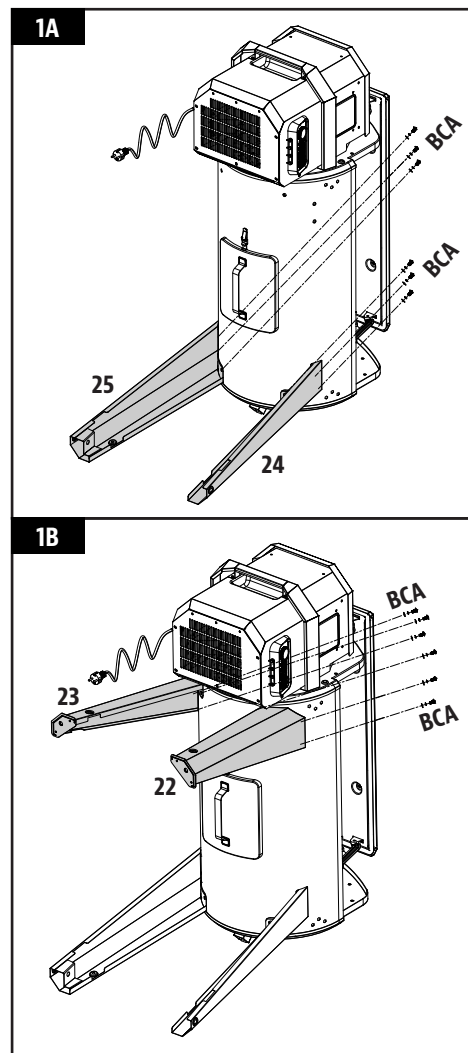
Partes requeridas:

- 1 x Barril principal/Conjunto de tolva (#12)
- 1 x Pata de soporte izquierda - Delantera (#22)
- 1 x Pata de soporte izquierda - Espalda (#23)
- 1 x Pata de soporte derecha - Delantera (#24)
- 1 x Pata de soporte derecha - Espalda (#25)
- 12 x Tornillos (#A)
- 12 x Arandelas (#B)
- 12 x Arandelas de seguridad (#C)

Instalación:

- Coloque un pedazo de cartón en el piso para evitar rayar la unidad y las piezas durante el montaje. Coloque el barril principal de lado sobre el cartón, con el extremo de la tolva apuntando hacia arriba.
- Monte la pata de soporte delantera derecha en el extremo del piso del barril principal con tres tornillos, arandelas de seguridad y arandelas, a través de los tres orificios pretaladrados. Instale tornillos desde el interior del barril principal. Repita la instalación para la pata de soporte trasera derecha. Observe la ilustración 1A.
- Luego, monte la pata de soporte delantera izquierda en el extremo de la tolva del barril principal con tres tornillos, arandelas de seguridad y arandelas, a través de los tres orificios pretaladrados. Instale tornillos desde el interior del barril principal. Repita la instalación para la pata de soporte trasera izquierda. Nota ilustración 1B.

IMPORTANTE: No apriete los tornillos por completo hasta que se instale el estante inferior en el siguiente paso.



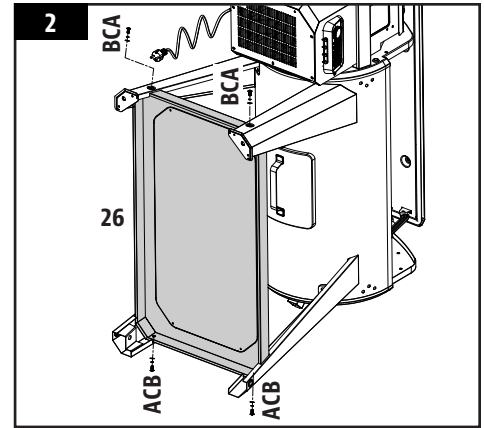
2. INSTALACIÓN DE LA REPISA INFERIOR

Partes requeridas:

- 1 x Repisa inferior (#26)
- 4 x Tornillos (#A)
- 4 x Arandelas de seguridad (#C)
- 4 x Arandelas (#B)

Instalación:

- Desde abajo, sujete la repisa inferior a cada pata utilizando un tornillo, arandela de seguridad y arandela. Asegúrese de que la superficie plana de la repisa voltee hacia arriba.



3. AGREGAR RUEDAS AL CARRO

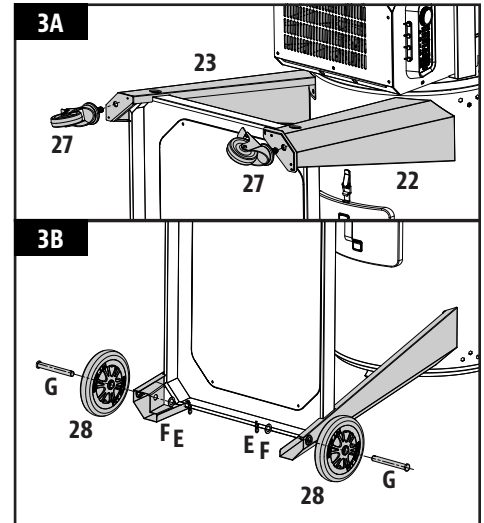
Partes requeridas:

- 2 x Rueda pivotante de cierre (#27)
- 2 x Rueda (#28)
- 2 x Chavetas de rueda (#E)
- 2 x Arandelas de eje de rueda (#F)
- 2 x Clavijas de eje de rueda (#G)

Instalación:

- Inserte cada rueda de bloqueo en la parte inferior de cada pata de soporte izquierda apretándola manualmente en el orificio. Asegúrese de que cada rueda de bloqueo esté insertada por completo. Nota ilustración 3A.
- Conecte cada rueda a cada pata de soporte derecha insertando el pasador del eje de la rueda a través de la rueda, el orificio de la pata de soporte, la arandela de la rueda, luego asegúrelo con el pasador de chaveta. Nota ilustración 3B.
- Una vez que el estante esté seguro, levante cuidadosamente la parrilla en posición vertical.

IMPORTANTE: vuelva a apretar los tornillos de las patas de apoyo para asegurarse de que estén completamente seguros después de colocar la parrilla en posición vertical.



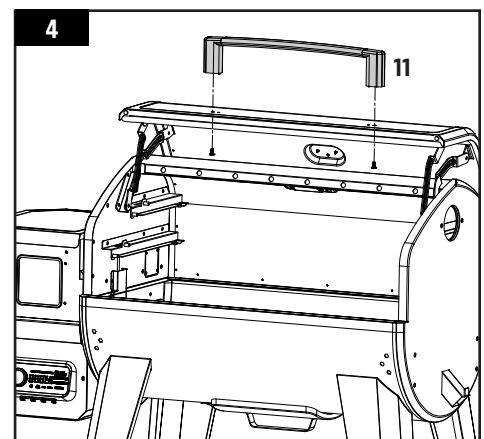
4. INSTALACIÓN DEL ASA DE LA TAPA

Partes requeridas:

- 1 x Asa de la tapa (#11)

Instalación:

- Quite los tornillos ya instalados en la manija de la tapa. Desde el interior de la tapa del barril, inserte un tornillo para que sobresalga hacia el exterior. Coloque un bisel en el tornillo, y luego apriete el tornillo a mano (desde el interior) en la manija de la tapa. Repita el procedimiento para el otro extremo de la manija.



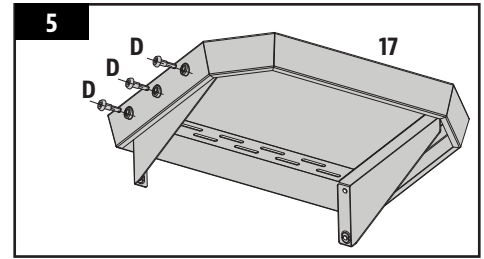
5. ENSAMBLAJE DE LA REPISA LATERAL

Partes requeridas:

- 1 x Repisa lateral (#17)
- 3 x Ganchos para implementos (#D)

Instalación:

- Voltee al revés la repisa lateral. En el borde de la repisa lateral que tiene tres orificios, instale los ganchos para implementos en cada orificio a lo largo del borde. Los ganchos para implementos se sujetarán a la tuerca empotrada que viene montada en el interior.



6. COLOCACIÓN DE LA REPISA LATERAL

Partes requeridas:

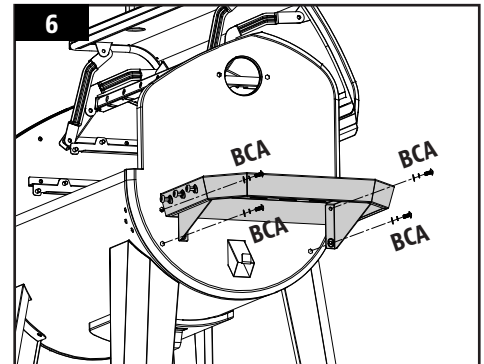
- 4 x Tornillos (#A)
- 4 x Arandelas de seguridad (#C)
- 4 x Arandelas (#B)

Instalación:

- Desde abajo, apriete la repisa lateral en el panel lateral del barril principal con los cuatro tornillos, las arandelas de seguridad y las arandelas.

NOTA: No apriete por completo los tornillos hasta que hayan colocado todos los tornillos. Una vez que coloque todos los tornillos, apriételes bien.

IMPORTANTE: No use las repisas para mover o levantar el asador. El peso de la unidad hará que las repisas se doblen o se rompan, y estos daños no están cubiertos por la garantía.



7. COLOCACIÓN DE LA CHIMENEA

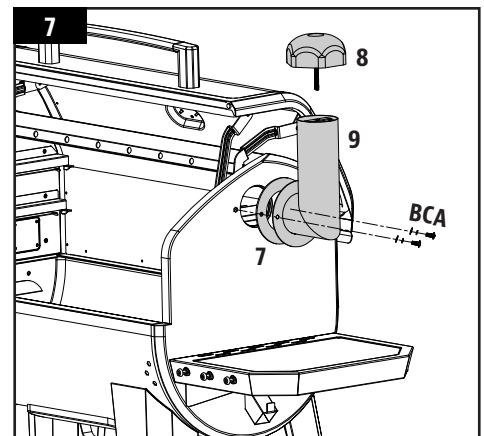
Partes requeridas:

- 1 x Tapa de la chimenea (#7)
- 1 x Cañón de la chimenea (#8)
- 1 x Empaque de la chimenea (#9)
- 2 x Tornillos (#A)
- 2 x Arandelas de seguridad (#C)
- 2 x Arandelas (#B)

Instalación:

- Encuentre la abertura de la chimenea en el costado del barril principal. Desde el exterior, sujete la chimenea y el empaque de la chimenea al panel lateral con dos tornillos, arandelas de seguridad y arandelas. El tornillo se sujetará a la tuerca ya montada en el interior del barril.
- Después, coloque la tapa de la chimenea a la parte superior del cañón de la chimenea girando el tornillo de la tapa de la chimenea en el cañón de la chimenea.

NOTA: Ajuste la tapa de la chimenea para modificar el flujo de aire dentro del asador. Si cocina a baja temperatura, mantenga la tapa más abierta. Asegúrese de que la tapa de la chimenea permita que escape el aire.



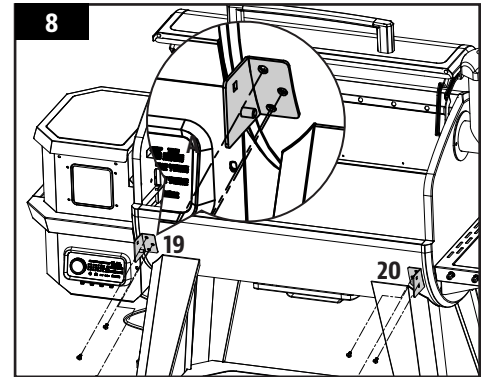
8. INSTALACIÓN DE LOS SOPORTES DE LA REPISA FRONTAL

Partes requeridas:

- 1 x Soportes de la repisa frontal / Izquierda (#19)
- 1 x Soportes de la repisa frontal / Derecho (#20)
- 6 x Tornillos (#A)

Instalación:

- Conecte un soporte de la repisa frontal a la parte delantera del barril del asador usando tres tornillos. Coloque los tornillos parcialmente y luego apriételos por completo cuando todos los tornillos estén colocados y alineados correctamente.
- Repita la misma instalación para el otro soporte de la repisa frontal.



9. COLOCACIÓN DE LA REPISA FRONTAL

Partes requeridas:

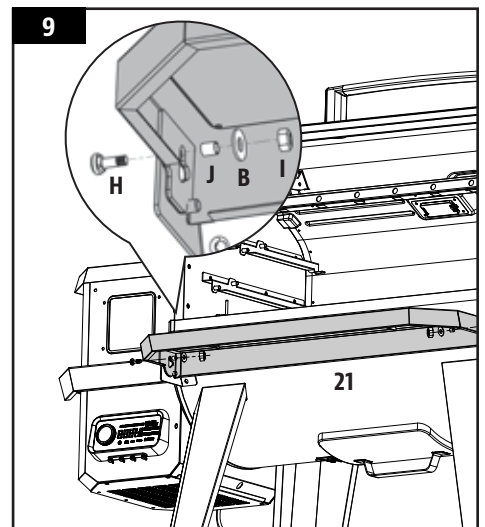
- 1 x Repisa frontal (#21)
- 2 x Arandelas (#B)
- 2 x Tornillos (#H)
- 2 x Tuercas (#I)
- 2 x Casquillos (#J)

Instalación:

- Desde abajo, inserte el tornillo (desde afuera) en el soporte de la repisa frontal y en la repisa frontal, luego coloque el casquillo en el tornillo, la arandela y la tuerca. Repita la instalación con el otro lado de la repisa frontal.

NOTA: Una vez instalado correctamente, la repisa frontal se puede levantar (para su uso) y bajar (para almacenar) con facilidad.

IMPORTANTE: No use las repisas para mover o levantar el asador. El peso de la unidad hará que las repisas se doblen o se rompan, y estos daños no están cubiertos por la garantía.



10. COLOCACIÓN DE LA PLACA DIFUSORA

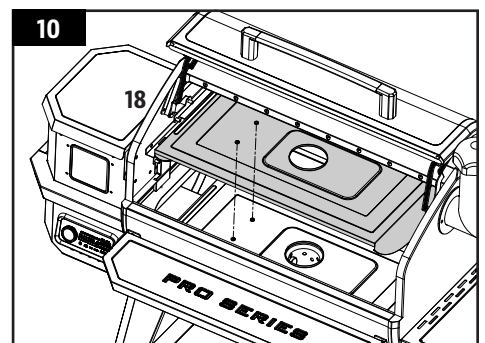
Partes requeridas:

- 1 x Placa difusora (#18)

Instalación:

- Coloque la placa difusora en el tambor principal de tal manera que la apertura central quede alineada directamente con la cámara de ignición circular en la base del tambor principal.

NOTA: No es necesario atornillar la placa difusora.



11. INSTALACIÓN DE LOS COMPONENTES DEL ASADOR DE LLAMAS

Partes requeridas:

- 1 x Cubierta deslizante de la rejilla de flama (#5)
- 1 x Placa principal de rejilla de flama (#6)
- 1 x Manija de la barra de ajuste de la rejilla de flama (#13)
- 1 x Barra de ajuste de la rejilla de flama (#14)

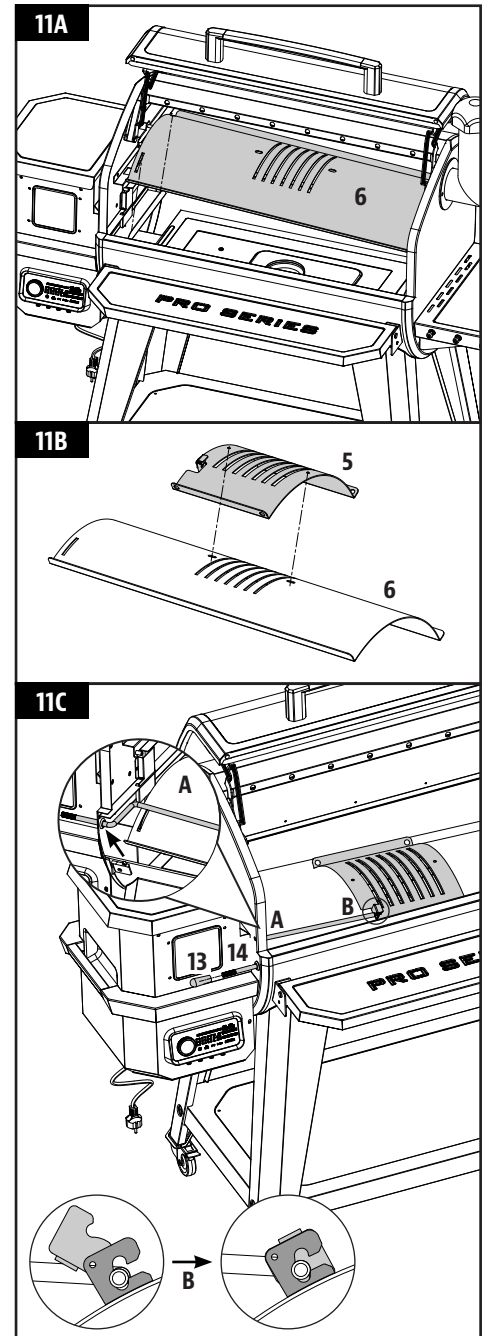
Instalación:

- Inserte la placa principal de la rejilla de flama en el asador principal. Apoye la placa principal de la rejilla de flama sobre el borde integrado (en la parte interior derecha) del asador principal, que dirige la grasa hacia la cubeta. Deslice toda la pieza hacia el lado izquierdo, y las dos ranuras en la placa principal de la rejilla de flama encajarán en el borde redondeado encima de la cámara de combustión. Quedará ligeramente inclinada. Consulte la ilustración 11A.

IMPORTANTE: Si la placa principal se apoya en la base del tambor, es que está mal instalada. La placa principal del asador de fuego se utiliza para distribuir el calor de forma uniforme. Una mala instalación de esta pieza puede provocar daños en el tambor principal de la parrilla.

- Coloque la cubierta deslizante de la rejilla de flama encima de la placa principal de la rejilla de flama, cubriendo las aberturas de ranura. Asegúrese de que la lengüeta elevada esté al lado izquierdo, para ajustar con facilidad la parrilla a fuego directo o indirecto mientras cocina. Consulte la ilustración 11B. Ambas partes de la rejilla de flama tienen una ligera capa de aceite para evitar la oxidación durante el transporte.
- Primero, retire la manija de la barra de ajuste de la rejilla de flama de la barra de ajuste de la rejilla de flama. Inserte la barra de ajuste de la rejilla de flama a través del orificio de apertura en el lado izquierdo del barril principal. Agregue el manija de la barra de ajuste de la rejilla de flama al extremo exterior del barril. A continuación, deslice el extremo con muesca de la barra de ajuste dentro de la pestaña de bloqueo en el control deslizante del asador de llama, dándole acceso ajustable al cubierta deslizante del asador de llama en la placa principal de rejilla de flama. Observe los pasos en 11C.

NOTA: Cuando la cubierta deslizante está abierta y se usa fuego directo para cocinar, no deje el asador sin atención en ningún momento.



12. INSTALACIÓN DE LOS COMPONENTES PARA COCINAR

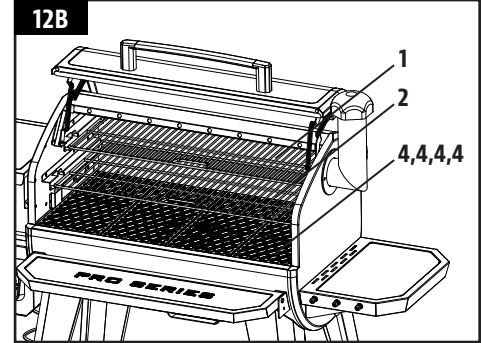
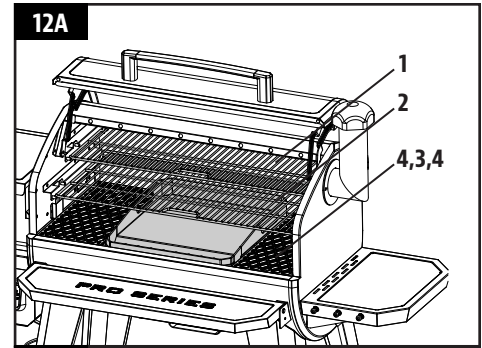
Partes requeridas:

- 1 x Parrilla superior para cocinar (#1)
- 1 x Parrilla media para cocinar (#2)
- 1 x Plancha (#3)
- 4 x Rejillas para cocinar (#4)

Instalación:

- Elija una superficie de cocción principal deseada: dos rejillas de cocción con la plancha (mostradas en 12A) o cuatro rejillas de cocción (mostradas en 12B). Coloque la combinación elegida de superficie de cocción en las repisas de la rejilla inferior dentro de la parrilla principal.
- A continuación, coloque la parrilla de cocción intermedia en las repisas intermedias dentro de la parrilla principal. Coloque la parrilla superior de cocción en las repisas superiores dentro de la parrilla principal.

IMPORTANTE: Para mantener el óptimo desempeño en sus parrillas de cocción, es necesario darles cuidado y mantenimiento con regularidad.



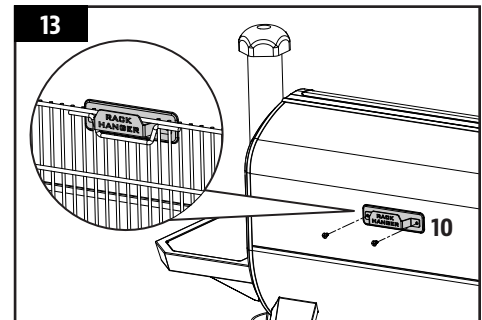
13. MONTAJE DE LA PERCHA DE RACK

Partes requeridas:

- 1 x Percha de rack (#10)

Instalación:

- Asegure el soporte de la rejilla al panel posterior del barril principal con los dos tornillos premontados. Las rejillas de cocción se pueden colgar en el colgador de rejillas mientras no se utilizan.



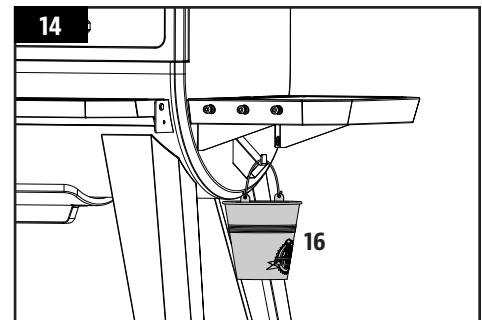
14. COLOCACIÓN DE LA CUBETA DE GRASA

Partes requeridas:

- 1 x Cubeta de grasa (#16)

Instalación:

- Coloque la cubeta de grasa en el gancho que está en el extremo del barril principal. Asegúrese de que está nivelada para evitar que se derrame la grasa.
- La unidad ya está completamente ensamblada.



15. CONEXIÓN A UNA FUENTE DE ALIMENTACIÓN ELÉCTRICA

- **TOMACORRIENTE ESTÁNDAR**

Este aparato requiere servicio de 110-120 voltios, 60Hz, 275W. Debe usar un enchufe de 3 clavijas con conexión a tierra. Asegúrese de que la clavija de tierra no esté rota antes de usarlo. El control utiliza un fusible rápido de 110-120 voltios para proteger el circuito del encendedor.

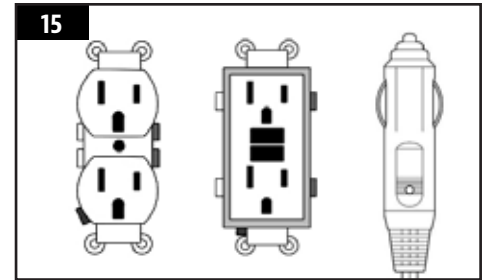
- **TOMACORRIENTES GFCI**

Este aparato funciona con la mayoría de los tomacorrientes GFCI, con una capacidad recomendada de 15 amps. Si su tomacorriente GFI es muy sensible a los picos de voltaje, muy probablemente se disparará durante la fase de arranque. Durante la fase de arranque, el encendedor consume de 200 a 700 watts de electricidad, que puede ser demasiado para un tomacorriente GFCI. Cada vez que se dispara, aumenta su sensibilidad. Si el GFCI se dispara constantemente, reemplace el tomacorriente o cámbielo por uno que no sea GFCI.

- **EN CUALQUIER LUGAR**

Desconecte el encendedor de la alimentación principal. Use el procedimiento de arranque manual. Una unidad Pit Boss® puede operar con un invertidor de 12 volts, 100 watts conectado a su automóvil. Para usar el encendedor automático, se recomienda que utilice un invertidor de por lo menos 1000 watts.

IMPORTANTE: Desconecte la unidad de la alimentación eléctrica cuando no la use.



INSTRUCCIONES DE OPERACIÓN

Con el estilo de vida moderno en el que nos esforzamos para comer alimentos saludables y nutritivos, un factor a considerar es la importancia de reducir la ingesta de grasas. Una de las mejores maneras de reducir la grasa de su dieta es utilizar un método de cocción bajo en grasas, como el asado. Dado que un asador de pellets usa pellets de madera natural, el sabor de la madera se integra a las carnes, lo que reduce la necesidad de usar salsas con alto contenido de azúcares. A lo largo de este manual notará un énfasis en asar la comida lentamente, a temperaturas BAJAS o MEDIAS.

ENTORNO DEL ASADOR

1. EN DÓNDE COLOCAR EL ASADOR

Con todos los aparatos para exteriores, las condiciones climatológicas externas tendrán un papel importante en el desempeño de su asador y en los tiempos de cocción necesarios para perfeccionar sus comidas.

Todas las unidades Pit Boss® requieren un espacio libre mínimo de 914mm (36 pulg.) de separación de materiales combustibles, y este espacio debe mantenerse todo el tiempo que se use el asador. Este aparato no debe colocarse bajo un techo o saliente de material combustible. Mantenga su asador en un área libre de materiales combustibles, gasolina y otros vapores y líquidos inflamables.

2. COCINA EN CLIMAS FRÍOS

Conforme la temperatura exterior se vuelva más fría, ¡no significa que la temporada de asar se ha terminado! El aire fresco y delicioso aroma de la comida ahumada ayudará a curar la depresión invernal.

Aproveche estas sugerencias para disfrutar de su asador durante los meses fríos:

- Si no es posible ahumar a bajas temperaturas, aumente ligeramente la temperatura para lograr el mismo resultado.
- Organícese – Prepare todo lo que necesitará en la cocina antes de salir al exterior. Durante el invierno, mueva su asador a un área que esté a cubierto del viento y el frío directo. Revise las ordenanzas locales sobre la proximidad del asador a su hogar y/o a otras estructuras. Ponga todo lo que necesita en una bandeja, ¡abrigúese bien y hágalo!
- Para ayudarlo a tener presente la temperatura exterior, coloque un termómetro para exteriores cerca del área en la que cocina. Lleve una bitácora o diario de lo que cocinó, la temperatura exterior y el tiempo de cocido. Esto le ayudará en el futuro para determinar qué cocinar y cuánto se tardará.
- En clima muy frío, aumente su tiempo de precalentado al menos 20 minutos.
- Trate de no levantar la tapa más de lo necesario. Las rachas de viento frío podrían enfriar completamente la temperatura de su asador. Sea flexible con su tiempo para servir; añadir minutos adicionales al tiempo de cocción cada vez que abra la tapa.
- Tenga un hornillo y o una cubierta listos para mantener su comida caliente mientras la lleva al interior.
- Los alimentos ideales para cocinar en invierno son los que requieren poca atención, como asados, pollos enteros, costillas y pavos. Facilite aún más la preparación de sus comidas añadiendo elementos simples, como verduras y papas.

3. COCINA EN CLIMAS CALIENTES

Conforme esté más caliente en el exterior, el tiempo de cocción se reducirá.

Siga estas sugerencias para disfrutar de su asador durante los meses cálidos:

- Ajuste sus temperaturas de cocción a la baja. Esto ayuda a evitar las llamaradas indeseables.
- Use un termómetro de carnes para determinar la temperatura interna de sus comidas. Esto ayuda a evitar que su carne se cocine demasiado y se seque.
- Incluso en climas cálidos, es mejor cocinar con la tapa del asador abajo.
- Puede mantener las comidas calientes envolviéndolas en papel aluminio y colocándolas en un recipiente con aislamiento térmico. Coloque bolas de papel periódico alrededor del papel aluminio y mantendrá la comida caliente de 3 a 4 horas.

RANGOS DE TEMPERATURAS DEL ASADOR

Las lecturas de temperatura en el tablero de control podrían no coincidir exactamente con las del termómetro. Todas las temperaturas mencionadas abajo son aproximadas y se ven afectadas por los siguientes factores: temperatura ambiente en el exterior, cantidad y dirección del viento, calidad de los pellets que se utilizan, si la tapa está abierta, y la cantidad de comida que se está preparando.

- *TEMPERATURAS ALTAS (205-260°C / 401-500°F)*

Este rango es útil para marcar la carne y asar con calor alto. Use en conjunto con la rejilla de flama para cocinar a fuego directo o indirecto. Con **la rejilla de flama abierta**, se usa fuego directo para crear esos bistecs "azules", así como verduras cocinadas ligeramente, pan de ajo tostado, ¡o bombones! Cuando **la rejilla de flama está cerrada**, el aire circula alrededor del barril, generando calor de convección. Las temperaturas altas también se usan para precalentar su asador, limpiar las parrillas de cocción con calor, y para lograr un calor elevado en condiciones de clima extremadamente frío.

- *TEMPERATURAS MEDIAS (135-180°C / 275-356°F)*

Este rango es mejor para hornear, cocer y terminar esa creación ahumada lentamente. Cocinar a estas temperaturas reducirá en gran medida las probabilidades de una llamarada de grasa. Asegúrese de que la cubierta deslizante de la rejilla de flama esté en la posición cerrada, cubriendo las aberturas. Este es un rango excelente para cocinar cualquier cosa que esté envuelta en tocino, o cuando quiera versatilidad en el control.

- *TEMPERATURAS BAJAS (82-125°C / 180-257°F)*

Este rango se usa para asar lento, aumentar el sabor del ahumando y mantener caliente la comida. Infunda más sabor ahumado y mantenga la carne jugosa al cocinarla más tiempo a una temperatura más baja (esto también se conoce como **bajo y lento**). Muy recomendable para el pavo de Acción de Gracias, un jugoso jamón para la Pascua, o un enorme banquete para las fiestas.

El ahumado es una variación del asado, y es la principal ventaja de cocinar en un asador de pellets de madera. El **ahumado caliente**, que es otro nombre para cocinar "**bajo y lento**", generalmente se hace a 82-125 °C / 180-257 °F. El ahumado caliente funciona mejor cuando se necesita un tiempo de cocción más largo, como para cortes de carne, pescados o aves grandes.

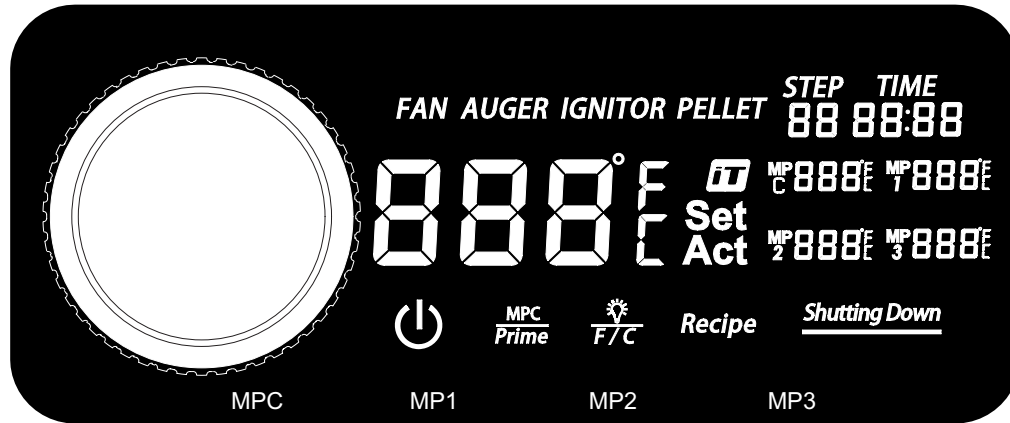
CONSEJO: Para un sabor más intenso, cambie al rango de temperatura de ahumado (bajo) inmediatamente después de poner su comida en el asador. Esto permite que el humo penetre en las carnes.





La clave está en experimentar con el tiempo que deja ahumar antes de que la comida termine de prepararse. Algunos chefs de exteriores prefiere ahumar al terminar de cocinar, lo que permite mantener la comida caliente hasta que está lista para servirse. ¡La práctica hace al maestro!

EXPLICACIÓN DEL TABLERO DE CONTROL

Este tablero de control PID (proporcional-integrado-derivado) digital es prácticamente igual que los controles del horno de su cocina. Las principales ventajas son la capacidad de compensar automáticamente las diferentes condiciones ambientales y tipos de combustible.

IMPORTANTE: La temperatura del interior de cualquier parrilla varía mucho de una ubicación a otra. Incluso los instrumentos calibrados juntos pueden no concordar entre sí.



MANDO	DESCRIPCIÓN
	Presione este botón una vez para encender la unidad. Esto comenzará el ciclo de arranque automático. Mantenga presionado este botón durante tres segundos para apagar la unidad y activar el ciclo de enfriamiento automático. El botón se iluminará en blanco fijo cuando esté conectado a una fuente de alimentación y cuando la unidad esté encendida.
	El ícono Smoke iT® indica una conectividad con Wi-Fi. Al buscar una conexión por Wi-Fi o Bluetooth®, el ícono Smoke iT® parpadeará. Una vez que se ha establecido una conexión Wi-Fi, el ícono Smoke iT® permanecerá sólido. Cuando esté conectado, obtenga actualizaciones en vivo sobre las temperaturas reales y establecidas de la parrilla, el tiempo de cocción y las temperaturas de la sonda de carne. También le permite ajustar la configuración de su tablero de control.
	Este botón tiene dos funciones: Interruptor de unidades de temperatura y Luz. <ol style="list-style-type: none"> 1. Pulsa rápidamente este botón para encender y apagar la luz dentro del barril de la parrilla. 2. Mantenga pulsado este botón durante tres segundos para activar el interruptor de unidades de temperatura y cambiar la lectura de temperatura. Cambie entre Celsius (°C) y Fahrenheit (°F), según prefiera. El valor predeterminado es Fahrenheit.
	Este botón tiene dos funciones: control de la sonda para carne (MPC) y el botón de cebado. <ol style="list-style-type: none"> 1. La pulsación rápida de este botón activa la sonda de carne programable, que es el primer puerto de complemento de sonda de carne (MPC). Use la perilla del controlador para configurar la temperatura de la sonda de carne programable. Presione la perilla del controlador nuevamente para confirmar y salir de la configuración de la sonda de carne programable. 2. Mantenga presionado este botón durante tres segundos para activar una alimentación manual continua de gránulos a la olla de fuego. Al soltar el botón, se detendrá la alimentación manual de pellets. Esto se puede usar para agregar más combustible al fuego antes de abrir la tapa del barril, lo que resulta en una recuperación rápida del calor. También se puede usar mientras se fuma, para aumentar la intensidad del sabor a humo limpio. Esta característica fue solicitada a las cocinas de competencia.



La perilla del controlador se usa para aumentar, disminuir y seleccionar un valor de ajuste. Gire la perilla del controlador para seleccionar el tiempo, la temperatura o el paso en un menú de configuración activa. Presione la perilla del controlador para confirmar el valor elegido.



La lectura central muestra las temperaturas reales y establecidas. La temperatura real se muestra constantemente a menos que se ajuste la temperatura establecida. La temperatura real es la temperatura del interior del barril principal. La sonda de la parrilla (sensor) toma la lectura de la temperatura real desde el interior del barril de la parrilla.

Para mostrar la temperatura establecida, presione la perilla del controlador. La temperatura establecida está activa cuando la lectura parpadea. Para ajustar la temperatura establecida, gire la perilla del controlador, según sea necesario. Una vez que se alcanza la temperatura deseada, presione la perilla del controlador para confirmar la temperatura establecida, luego la lectura volverá a la temperatura real.

Recipe

Presione el botón una vez para activar los Pasos de receta. Hay nueve pasos de receta disponibles para configurar. Ajuste la configuración de cada paso de receta utilizando la perilla del controlador.



Muestra el paso de receta actual.



Muestra el tiempo establecido durante el paso de receta. Pulse el botón Receta para activar los ajustes de receta. Use el botón regulador para ir cambiando de un paso de receta a otro, donde el uno es el tiempo.



Muestra la temperatura Real y Establecida de la sonda de carne programable, es decir, a través del primer puerto de conexión de la sonda de carne (MPC). La temperatura real se muestra constantemente a no ser que se esté ajustando la temperatura. Cuando se presiona el botón MPC, la lectura de la sonda de carne seleccionada parpadeará y se podrá ajustar la temperatura establecida. Cuando no vaya a utilizarla, desconecte la sonda de carne del puerto de conexión. Tras esto, aparecerá el código "noP". Compatible solamente con sondas de carne de la marca Pit Boss® Grills.



Muestra la temperatura real de la sonda de carne. Esta lectura de la sonda de carne es la registrada a través del puerto de conexión (MP). Cuando no vaya a utilizarla, desconecte la sonda de carne del puerto de conexión. Tras esto, aparecerá el código "noP". Compatible solamente con sondas de carne de la marca Pit Boss® Grills.

Shutting Down

Esta lectura se muestra después de que se ha seleccionado Apagar. Indica que el ciclo de enfriamiento automático ha comenzado. Una vez que se completa el ciclo de enfriamiento, la lectura ya no será visible.

FAN

El icono de VENTILADOR es visible cuando el ventilador está en funcionamiento. Cuando la lectura central tiene un código de error (Err) y el ícono FAN parpadea, el ventilador no funciona. Consulte la sección sobre solución de problemas para obtener ayuda.

AUGER

El icono AUGER es visible cuando el sinfín está girando. Cuando la lectura central tiene un código de error (Err) y el icono AUGER parpadea, la barrena no funciona. Consulte la sección sobre solución de problemas para obtener ayuda.

IGNITOR

El icono IGNITOR es visible cuando el encendedor está en uso. Cuando la lectura central tiene un código de error (Err) y el ícono IGNITOR parpadea, el encendedor no funciona. Consulte la sección sobre solución de problemas para obtener ayuda.

PELLET

Cuando la lectura central tiene un código de error (Err) y el icono PELLET está visible, el fuego en la olla se ha apagado o la tolva puede estar vacía. Consulte la sección sobre solución de problemas para obtener ayuda.

FUNCIONES DEL TABLERO DE CONTROL

• AJUSTE DE LA TEMPERATURA DE LA PARRILLA

La sonda de la parrilla mide la temperatura interna del barril principal. Cuando se ajusta la temperatura establecida, la sonda de la parrilla leerá la temperatura real dentro del barril principal y se ajustará a la temperatura deseada.

IMPORTANTE: la temperatura de su unidad depende en gran medida del clima ambiental exterior, la calidad de los gránulos utilizados, el sabor de los gránulos y la cantidad de alimentos que se cocinan.

AJUSTE / AJUSTE DE LA TEMPERATURA ESTABLECIDA

Para ajustar la temperatura deseada de la parrilla, siga los pasos a continuación:

1. Presione la perilla del controlador. Esto hará que la lectura de temperatura establecida parpadee, para mostrar que está activa.
2. Use la perilla del controlador nuevamente para ajustarla a la temperatura deseada.
3. Una vez que se alcanza la temperatura deseada, presione la perilla del controlador para confirmar la temperatura establecida, luego la lectura volverá a la temperatura real.

• USO DE LA SONDA DE CARNE PROGRAMABLE

La sonda de carne mide la temperatura interna de la carne en la barbacoa, similar a un horno interior. Enchufe el adaptador de la sonda de carne en el puerto de conexión de la sonda de carne en el Tablero de control e inserte la sonda de carne de acero inoxidable en la parte más gruesa de la carne, y en el tablero de control aparecerá la temperatura. Para garantizar la conexión correcta de la sonda de carne con el puerto de conexión, deberá sentir y oír su enganche. No solo cocinará la carne a la temperatura deseada, sino que reducirá automáticamente la temperatura de la parrilla a un nivel bajo (82 °C / 180 °F) para mantener la comida caliente hasta que esté lista para servir. ¡Simplemente configúrelo, luego relájese mientras el Meat Probe hace el resto!

NOTA: cuando inserte la sonda de carne en la carne, asegúrese de que la sonda y sus cables no estén en contacto directo con el fuego o un calor excesivo. Esto podría dañar la sonda de carne. Tire del cable sobrante hacia fuera por el orificio situado en el lateral izquierdo de la barbacoa principal o en la parte superior de la barbacoa principal (junto a la bisagra de la tapa de la barbacoa). Cuando no se use, desconéctela del puerto de conexión de la sonda de carne y consérvela aparte para mantenerla protegida y limpia.

AJUSTE / AJUSTE DE LA SONDA DE CARNE PROGRAMABLE

Para programar la temperatura deseada establecida de la sonda de carne programable, siga los pasos a continuación:

1. Presione rápidamente el botón MPC para activar la sonda de carne programable. Cuando está activo, la lectura de temperatura de la sonda de carne parpadeará.
2. Use la perilla del controlador para ajustar a la temperatura deseada.
3. Una vez que se alcanza la temperatura deseada de la sonda de carne seleccionada, presione nuevamente la perilla del controlador para confirmar y salir de la configuración de la sonda de carne programable.

• CONFIGURAR UNA RECETA

La función Receta permite al usuario programar instrucciones de cocción, conocidas como Pasos de receta, para que el Tablero de control las siga y se ejecute automáticamente. Estas instrucciones de cocción son una combinación entre la temperatura de cocción y el tiempo. A partir de los primeros Pasos de Receta (01), el Tablero de Control pasará por cada Pasos de Receta para cocinar la comida. Cuando se hayan completado todos los Pasos de Receta, el Tablero de Control cambiará automáticamente a una temperatura baja de 82 °C / 180 °F para que la comida se mantenga caliente hasta que esté lista para servir. Hay un total de nueve Pasos de Recetas disponibles para ser programados.

CÓMO PROGRAMAR UNA RECETA PASO

Para configurar uno o más de los Pasos de receta, siga los pasos a continuación:

1. Mantenga presionado el botón de receta. Esto hará que el botón de receta parpadee para mostrar que la configuración de receta está activa. Esto también activará los Pasos de receta y la letra 'S' estará activada para mostrar que está activa.
 - Use la perilla del controlador para seleccionar el paso de receta. Comience con el primer Paso de receta (01).
 - Cuando se alcanza el paso de receta deseado, presione la perilla del controlador para pasar a la siguiente configuración.
 2. Establecer las horas de tiempo. Las horas de la lectura de Tiempo parpadearán para mostrar que está seleccionado.
 - Use la perilla del controlador para seleccionar las horas deseadas.
 - Cuando se alcanzan las horas deseadas, presione la perilla del controlador para pasar a la siguiente configuración.
 3. Establecer el tiempo minutos. Los minutos de la lectura de Tiempo parpadearán para mostrar que está seleccionado.
 - Use la perilla del controlador para seleccionar los minutos deseados.
 - Cuando se alcanzan los minutos deseados, presione la perilla del controlador para pasar a la siguiente configuración.
 4. Establecer la temperatura. La lectura de la temperatura central parpadeará para mostrar que está seleccionada.
 - Use la perilla del controlador para seleccionar la temperatura deseada.
 - Cuando se alcanza la temperatura deseada, presione y mantenga presionado el botón de receta para bloquear todas las configuraciones de receta para ese paso de receta.
 - Para configurar otro Paso de receta, presione rápidamente el Botón de receta para seleccionar otro Paso de receta, programando una cocción de múltiples Pasos de receta. Repita los pasos anteriores, según lo desee.
- O,
- Mantenga presionado el botón de receta por segunda vez para salir de la configuración de receta y ejecutar la receta. El botón de receta dejará de parpadear.

NOTA: Los Pasos de receta se restablecerán cuando la unidad se apague / apague.

CONECTARSE A LA APLICACIÓN SMOKE IT®

Siga estas instrucciones sobre cómo conectar su parrilla a la aplicación Smoke iT® con su dispositivo Android™ o iOS®. La aplicación le permitirá controlar y monitorear las temperaturas de su parrilla y sonda de carne desde su dispositivo móvil. ¡Disfrute de los beneficios que ofrece la conectividad móvil Smoke IT®!

1. Descargue la aplicación Smoke iT®. Abra la aplicación y permita que Bluetooth® esté habilitado para la configuración. Los nuevos usuarios deberán crear una cuenta y seguir las instrucciones para iniciar sesión.
2. Si está dentro del alcance de Bluetooth® (9 m / 30 pies), la aplicación Smoke iT® detectará automáticamente su parrilla. Seleccione su modelo de parrilla. Si no ve su parrilla en la pantalla, asegúrese de que su unidad esté conectada a una fuente de alimentación y esté encendida.
3. Nombre su modelo de parrilla (por ejemplo, mi fumador) en la aplicación y seleccione "Conectar" en la parte inferior de la pantalla. Esto guardará su modelo de parrilla en el menú de dispositivos.
4. Desde el menú de dispositivos, haga clic en el modelo de parrilla para conectarse. Esto le mostrará la pantalla del tablero de control.
5. Haga clic en la opción de configuración (equipo) en la esquina superior derecha, ingrese sus credenciales de Wi-Fi, luego haga clic en la marca de verificación en la parte inferior de la pantalla para conectarse. Ahora los íconos de Bluetooth® y Wi-Fi (nubes) se mostrarán en el menú de dispositivos, mostrando que la parrilla está conectada.

Mientras usa la aplicación, la pantalla brillará cuando la parrilla esté activa y conectada. Si la pantalla o parrilla de la aplicación se oscurece en el menú de dispositivos, verifique su conexión inalámbrica o fuente de alimentación.

PROCEDIMIENTO DE PREPARACIÓN DE LA TOLVA

Debe seguir estas instrucciones la primera vez que encienda el asador y cada vez que el asador se quede sin pellets en la tolva. El barreno debe prepararse para permitir que los pellets de madera se desplacen por todo el barreno y llenen la cámara de combustión. **Si no se prepara, el encendedor se agotará antes de que los pellets se enciendan y no se encenderá el fuego.** Siga estos pasos para la preparación de la tolva:

1. Abra la tapa del barril principal. Retire todos los componentes de cocción del interior de la parrilla. Localice la olla de fuego en el fondo del barril principal. Verifique la olla de fuego para asegurarse de que no haya obstrucción para un encendido adecuado.
2. Enchufe el cable de alimentación a una fuente de alimentación. Presione el botón de Encendido para encender la unidad. Verifique los siguientes elementos:
 - Que puedes escuchar el sinfín girando. Coloque su mano sobre la olla de fuego y sienta el movimiento del aire. No coloque sus manos o dedos dentro de la olla de fuego. Esto puede causar lesiones.
 - Después de aproximadamente un minuto debe oler los vapores del encendedor y comenzar a sentir que el aire se calienta dentro de la cámara de combustión. La punta del encendedor no se pone roja, pero se pone extremadamente caliente y puede quemar. No toque el encendedor.
3. Una vez verificado que todos los componentes eléctricos funcionan correctamente, presione el botón de encendido para apagar la unidad.
4. Abra la tapa de la tolva. Asegúrese de que no haya objetos extraños en la tolva o el sistema de alimentación del sinfín. Llene la tolva con pellets secos de madera de barbacoa natural.
5. Presione el botón de encendido para volver a encender la unidad. El ciclo de arranque de la parrilla tiene una temperatura preestablecida de 176 °C / 350 °F, por lo que comenzará a calentarse. Mantenga presionado el botón Cebado hasta que vea gránulos en el interior de la parrilla desde el tubo del sinfín. Una vez que los gránulos comienzan a caer en la olla de fuego, suelte el botón de cebado.
6. Presione el botón de encendido para apagar la unidad.
7. Vuelva a instalar los componentes de cocción en el barril principal. La parrilla ya está lista para usar.

PRIMER USO - "QUEMADO" DEL ASADOR

Una vez que se haya cebado su tolva y antes de cocinarla por primera vez en su parrilla, es importante que se termine de quemar. Encienda la parrilla y opere a cualquier temperatura superior a 176 °C / 350 °F (con la tapa hacia abajo) durante 30 a 40 minutos para quemar la parrilla y eliminarla de cualquier materia extraña.

PROCEDIMIENTO DE ARRANQUE AUTOMÁTICO

1. Conecte el cable de alimentación a una fuente de alimentación con conexión a tierra. Abra la tapa del barril principal. Verifique la olla de fuego para asegurarse de que no haya obstrucción para un encendido adecuado. Abra la tapa de la tolva. Asegúrese de que no haya objetos extraños en la tolva o el sistema de alimentación del sinfín. Llene la tolva con pellets secos de madera de barbacoa natural.
2. Presione el botón de encendido para encender la unidad. Esto activará el ciclo de arranque. El sistema de alimentación del sinfín comenzará a girar, el encendedor comenzará a brillar y el ventilador suministrará aire a la olla de fuego. La parrilla comenzará a producir humo mientras se realiza el ciclo de arranque. La tapa del barril debe permanecer abierta durante el ciclo de arranque. Para confirmar que el ciclo de inicio ha comenzado correctamente, escuche un rugido torchy y observe que se produce algo de calor.
3. Una vez que el humo blanco y pesado se haya disipado, el ciclo de inicio se habrá completado y estará listo para disfrutar de su parrilla a la temperatura deseada.

CÓMO APAGAR SU ASADOR

1. Cuando termine de cocinar, con la tapa del barril principal cerrada, presione y mantenga presionado el botón de encendido durante tres segundos para apagar la unidad. La parrilla comenzará su ciclo de enfriamiento automático. El sistema de barrena dejará de alimentar combustib

CUIDADO Y MANTENIMIENTO

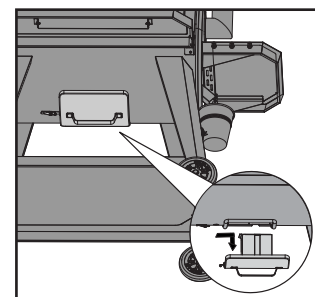
ADVERTENCIA: desconecte siempre el cable eléctrico antes de abrir la barbacoa para cualquier inspección o tarea de limpieza, mantenimiento o reparación. Asegúrese de que la barbacoa se haya enfriado por completo para evitar lesiones.

Todas las unidades Pit Boss® le proporcionarán muchos años de servicio y sabor con una limpieza mínima. Siga estos consejos de limpieza y servicio para mantener la barbacoa:

1. LIMPIEZA DE CENIZAS

- En la parte inferior del barril de la parrilla hay una función de limpieza de cenizas, que le brinda fácil acceso al interior de su caja de fuego para limpiarla fácilmente con la frecuencia que necesite. Para vaciar, suelte el pestillo de la hebilla del gancho del cenicero. Mientras sostiene la manija, deslice la caja de cenizas lejos de la hebilla, luego tire hacia abajo para quitarla. Una vez vaciado, vuelva a colocar la caja de cenizas levantándola hacia la parte inferior del barril de la parrilla, deslizando la caja de cenizas hacia la hebilla y luego fijando el gancho de la caja de cenizas con el pestillo de la hebilla.

ADVERTENCIA: Esta función solo se puede utilizar cuando la parrilla está fría.



2. CONJUNTO DE TOLVA

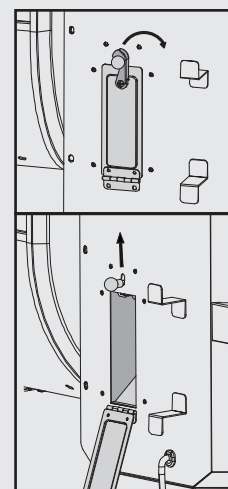
- Si no va a usar la barbacoa durante un período de tiempo prolongado, se recomienda vaciar todos los gránulos del alimentador de espiral. Para ello solo tiene que hacer funcionar la barbacoa, con la tolva vacía, hasta que hayan salido todos los gránulos del tubo del alimentador de espiral.
- Compruebe si hay residuos en el orificio de entrada de aire del ventilador, en la base de la tolva, y elimínelos. Una vez extraído el panel de acceso a la tolva (consulte el Diagrama de cableado eléctrico), limpie con cuidado cualquier acumulación de grasa que pueda haber en las aspas del ventilador. Así asegura una circulación de aire suficiente para el sistema de alimentación.

FUNCIÓN DE LIMPIEZA DE LA TOLVA

La tolva incluye una función de limpieza para facilitar la limpieza y la capacidad de cambiar los sabores del combustible de pellets de madera. Para vaciar, siga estos pasos:

- Ubique la puerta de limpieza y el gancho de la puerta en la parte posterior de la tolva.
- Gire el gancho de la puerta (en la parte superior) hacia la derecha para que se separe de la varilla del pestillo de liberación. Coloque un balde limpio y vacío debajo de la puerta de limpieza y deje que la puerta baje. Levante la varilla del pestillo de liberación para abrir la placa del conducto de caída, permitiendo que se vacíen los pellets de la tolva.
- Una vez vacío, empuje la placa del conducto de caída hacia arriba a mano. Se bloqueará en su lugar. Cierre la puerta de limpieza y gire el gancho de la puerta hacia atrás en la barra del pestillo de liberación para asegurar.

NOTE: Use a long handled brush or shop-vac to remove excess pellets, sawdust, and debris for a complete clean-out through the hopper screen.



3. SONDAS

- Las arrugas o los pliegues en los cables de la sonda pueden dañar la pieza. Los cables deben enroscarse en un rollo grande y holgado.
- Aunque las sondas sean de acero inoxidable, no deben colocarse en el lavavajillas ni sumergirse en agua. El daño que el agua puede producir en los cables internos dará lugar a un cortocircuito de la sonda y a lecturas erróneas. Si una sonda está averiada debe sustituirse.

4. SUPERFICIES INTERNAS

- Se recomienda limpiar la chimenea cada pocos usos. Así se asegurará de que el sistema de ignición funcione correctamente y evitará cualquier acumulación de residuos o cenizas en la chimenea.
- Con un cepillo (de latón o metal suave) de mango largo para limpiar parrillas, elimine los restos de comida de las rejillas para cocinar. La práctica recomendada es hacerlo mientras están aún calientes de un uso anterior. Los fuegos de grasa se producen cuando caen demasiados residuos sobre los componentes para cocinar de la barbacoa. Limpie el interior de la barbacoa con regularidad. Si la grasa prende fuego, mantenga cerrada la tapa de la barbacoa para extinguir el fuego. Si el fuego no se extingue rápidamente, retire con cuidado la comida, apague la barbacoa y cierre la tapa hasta que el fuego se haya extinguido por completo. Esparza un poco de bicarbonato sódico, si lo tiene a mano.
- Compruebe a menudo el recogegrasa y límpielo si es necesario. Tenga en cuenta el tipo de cocina que suele realizar.

IMPORTANTE: dado el calor intenso, no cubra el asador de fuego ni las sondas con papel aluminio.

5. SUPERFICIES EXTERNAS

- El estante frontal incluye un panel extraíble debajo para facilitar la limpieza. Desde abajo, empuje la placa de respaldo hacia el barril principal para quitarla. Limpiar y luego volver a colocar deslizándolo en su lugar.
- Limpie la barbacoa después de cada uso. Use agua tibia jabonosa para reducir la grasa. No use limpiadores de horno, limpiadores abrasivos ni estropajos abrasivos en las superficies externas de la barbacoa. **Ninguna de las superficies pintadas están cubiertas por la garantía, sino que forman parte del mantenimiento y conservación general.** En el caso de rasguños de pintura, desgaste o desconchado del acabado, todas las superficies pintadas pueden retocarse con la pintura BBQ para altas temperaturas.
- Use una cubierta para una protección completa de la barbacoa. Un cubierta es la mejor protección contra los agentes contaminantes climáticos y exteriores. Cuando la unidad no se use o se almacene durante períodos prolongados, guárdela bajo techo en un garaje o cobertizo.



FRECUENCIA DE LIMPIEZA (USO NORMAL)

COMPONENTE	FRECUENCIA DE LIMPIEZA	MÉTODO DE LIMPIEZA
Base de la parrilla principal	Cada 5-6 usos de la barbacoa	Eliminar los residuos con un recogedor o aspiradora en seco o húmedo
Chimenea	Cada 2-3 usos de la barbacoa	Eliminar los residuos con un recogedor o aspiradora en seco o húmedo
Rejillas para cocinar	Después de cada uso de la barbacoa	Quemar el exceso, cepillo de alambre de latón
Parrilla	Cada 5-6 usos de la barbacoa	Raspar la placa principal con guía, No lavar
Estantes	Después de cada uso de la barbacoa	Estropajo y agua jabonosa
Recoge grasas	Después de cada uso de la barbacoa	Estropajo y agua jabonosa
Alimentador de espiral	Cuando se vacía la bolsa de gránulos	Deje que el alimentador de espiral expela el serrín hasta que se vacíe la tolva
Componentes eléctricos de la tolva	Una vez por año	Limpiar el interior, limpiar las aspas del ventilador con agua jabonosa
Orificio de entrada de aire	Cada 5-6 usos de la barbacoa	Limpiar, estropajo y agua jabonosa
Sonda de temperatura	Cada 2-3 usos de la barbacoa	Estropajo y agua jabonosa

USO DEL COMBUSTIBLE DE PELLETS DE MADERA

Estos pellets de madera para asador se queman de manera limpia y generan alrededor de 8200 BTU por libra, con muy poca ceniza, poco contenido de humedad (5-7%) y son neutrales en carbón. Los pellets de madera para asador se producen con material puro en bruto (aserrín) que se pulveriza en un aserradero, y el material se pasa a presión por un troquel. Conforme el pellet pasa por el troquel, se corta, se enfría, se inspecciona, se aspira y se empaqueta para su venta al consumidor. Consulte a su distribuidor local respecto a los sabores disponibles en su región.

- 


- 


- 

NOTA: Siempre guarde los pellets de madera en un lugar seco. El contacto o exposición a la humedad, ya que esto resultará en una menor generación de calor o hará que los pellets se hinchen y desmoronen. Use una tina o cubeta hermética a prueba de humedad para almacenarlos correctamente.

LINEAMIENTOS PARA COCINAR

Ahumar y asar pueden dar diferentes resultados dependiendo del tiempo y la temperatura. Para obtener los mejores resultados lleve un registro de lo que cocinó, a qué temperatura, por cuánto tiempo, y los resultados. Ajuste a su gusto la próxima vez. La práctica hace al maestro. El arte culinario del ahumado caliente significa un tiempo de cocción más largo, pero le da a sus carnes un sabor de madera más natural (y un muy codiciado "anillo rosado"). Las temperaturas de cocción más altas resultan en tiempos de cocción más cortos y menos sabor ahumado.

CONSEJO: Para obtener los mejores resultados, deje que las carnes reposen después de cocinarlas. Esto permite que los jugos naturales regresen al interior de la carne, con lo que tendrá un corte mucho más jugoso y sabroso. Los tiempos de reposo pueden ser de 3 minutos hasta 60 minutos, dependiendo del tamaño de la proteína.

ESTILO DE COCINA	AHUMADO CALIENTE (MUY BAJO)	COCIDO (BAJO)	HORNEADO (MEDIO)	ASADO/HORNEADO (MEDIO/ALTO)	MARCADO (ALTO)
Rango de temperaturas	93-135°C / 199-275°F	135-162°C / 275-323°F	162-190°C / 323-374°F	190-232°C / 374-449°F	232-260°C / 449-500°F

AVES	TAMAÑO	Un cuarto - 54°C / 130°F	Medio - 60°C / 140°F	Bien cocido - 77°C / 170°F
Pavo (entero)	4.5-5.0 kg / 10-11 lbs. 5.3-6.4 kg / 12-14 lbs. 6.8-7.7 kg / 15-17 lbs. 8.2-10.0 kg / 18-22 lbs. 10.4-11.3 kg / 23-25 lbs.			Asar de 90 a 120 minutos Asar de 110 a 140 minutos Asar de 130 a 160 minutos Asar de 140 a 170 minutos Asar de 150 a 180 minutos
Pollo (entero)	1.36-2.26 kg / 3-5 lbs.			Asar de 1 a 1.5 horas
Muslos, pechugas	0.45 - 0.86 kg / 1 - 1½ lbs.			Asar de 30 a 60 minutos
Aves de caza pequeñas	0.45 - 0.86 kg / 1 - 1½ lbs.			Asar de 30 a 45 minutos
Pato	1.36-2.26 kg / 3-5 lbs.			Asar o cocer de 2 a 2.5 horas

CERDO	TAMAÑO	Precocido para recalentar 60°C / 140°F	Medio 66°C / 150°F	Bien cocido 71°C / 160°F
Jamón <i>(Porción bien cocida y sin hueso, ahumado para picnic entero y con hueso)</i>	2.5 cm / 1 pulg. 1.36-1.81 kg / 3-4 lbs. 1.81-2.72 kg / 4-6 lbs. 2.26-3.62 kg / 5-8 lbs. 4.53-5.44 kg / 10-12 lbs.	12 minutos 50 minutos a 1 hora 1 a 2 horas 1 a 2½ horas 2 a 2¾ horas		
Asado de lomo	1.36-1.81 kg / 3 - 4 lbs.		1 a 2 horas	2 a 3 horas
Corona de costillas asada	1.81-2.26 kg / 4 - 5 lbs.		1½ a 2 horas	2 a 3 horas
Chuleta (lomo, costillas)	1.9-2.5 cm / ¾ - 1 pulg. 3.1-3.9 cm / 1¼ - 1½ pulg.		10 a 12 minutos 14 a 18 minutos	
Lomo	1.9-2.5 cm / ¾ - 1 pulg.		20 a 30 minutos	30 a 45 minutos
Asado de lomo, sin huesos	1.36-2.26 kg / 3-5 lbs.		1¼ a 1¾ horas	1¾ a 2½ horas
Boston Butt (hombro de puerco)	3.62-4.53 kg / 8-10 lbs.			93 - 98°C / 200 - 210°F Temperatura interior

RES	TAMAÑO	CALOR	Un cuarto 54°C / 130°F	Medio 60°C / 140°F	Bien cocido 65°C / 150°F
Bistec (New York, Porterhouse, Rib-eye, Sirloin, T-bone o lomo)	1.9 cm / ¾ pulg. 2.5 cm / 1 pulg. 3.8 cm / 1½ pulg. 5 cm / 2 pulg.	Alto	Marcar 8 a 10 minutos Marcar 10 a 12 minutos Marcar 10 minutos, asar 8 a 10 minutos Marcar 10 minutos, asar 10 a 14 minutos		
Falda de res	0.6 - 12.7 cm / ¼ - ½ pulg.	Alto	5 a 7 minutos		
Arrachera	0.45 - 0.86 kg / 1 - 1½ lbs., 1.9 cm / ¾ pulg.	Medio	Marcar 4 minutos, asar 8 a 10 minutos		
Kebab	Cubos de 2.5 - 3.8 cm / 1 - 1½ pulg.	Medio	Asar 10 a 12 minutos		
Tenderloin, entero	1.58 - 1.81 kg / 3½ - 4 lbs.	Alto/Medio	1½ a 2 horas		
Hamburguesa	1.9 cm / ¾ pulg.	Alto/Medio	Marcar 4 minutos, asar 4 a 6 minutos		
Asado de rib-eye, sin huesos	2.26 - 2.72 kg / 5 - 6 lbs.	Medio	1½ a 2 horas		
Asado de tri-tip	0.9 - 1.13 kg / 2 - 2½ lbs.	Alto/Medio	Marcar 10 minutos, asar 20 a 30 minutos		
Asado de costilla	5.44 - 6.35 kg / 12 - 14 lbs.	Medio	2½ a 2¾ horas		
Chuleta de ternera	2.5cm / 1 pulg.	Medio	10 a 12 minutos		
Brisket	7.25 - 3.62 kg / 16 -18 lbs.	Ahumado caliente	Asar hasta que la temperatura interna llegue a 91°C / 195°F		

CORDERO	TAMAÑO	Un cuarto - 54°C / 130°F	Medio - 60°C / 140°F	Bien cocido - 71°C / 160°F
Asado (fresco)	2.26 - 2.72 kg / 5 - 6 lbs.		1 a 2 horas	
Corona de costillas asada	1.36-2.26 kg / 3-5 lbs.		1 a 1½ horas	1½ horas

MARISCOS	TAMAÑO	Un cuarto - 54°C / 130°F	Medio - 60°C / 140°F	Bien cocido - 82°C / 180°F
Pescado (entero)	0.5 kg / 1 lb. 0.9 - 1.1 kg / 2 - 2½ lbs. 1.4 kg / 3 lbs.			Asar 10 a 20 minutos Asar 20 a 30 minutos Asar 30 a 45 minutos
Pescado (filetes)	0.6-1.3 cm / ¼ - ½ pulg.			Asar 3 a 5 minutos, hasta que se desmenuce con facilidad

Cola de langosta	0.15 kg / 5 oz. 0.3 kg / 10 oz.			Asar 5 a 6 minutos Asar 10 a 12 minutos
-------------------------	------------------------------------	--	--	--

CAZA	TAMAÑO	Un cuarto - 60°C / 140°F	Medio - 71°C / 160°F	Bien cocido - 77°C / 170°F
Asado (fresco)	2.26 - 2.72 kg / 5 - 6 lbs.		1 a 1½ horas	1½ a 2 horas
Cortes grandes (fresco)	3.62-4.53 kg / 8-10 lbs.		1 horas	1½ horas

CONSEJOS Y TÉCNICAS

Siga estos útiles consejos y técnicas, transmitidos por los dueños de Pit Boss®, nuestro personal y nuestros clientes, como usted, para familiarizarse con su asador:

1. SEGURIDAD DE LOS ALIMENTOS

- Mantenga limpio todo lo que haya en la cocina y en el área para cocinar. Use platos y utensilios diferentes para la carne cocida que los que utilizó para preparar o transportar la carne cruda al asador. Esto evitará la contaminación cruzada por bacterias. Cada marinada o salsa para untar debe tener su propio utensilio.
- Mantenga las comidas calientes calientes (a más de 60 °C / 140 °F), y mantenga las comidas frías frías (a menos de 3 °C / 37°F).
- Nunca debe guardar una marinada para usarla en el futuro. Si la va a servir con la carne, asegúrese de hervirla antes de servir.
- Los alimentos cocidos no deben dejarse en un entorno caliente por más de una hora. No deje alimentos calientes fuera del refrigerador por más de dos horas.
- Descongele y marine las carnes en refrigeración. No descongele la carne a temperatura ambiente ni sobre un mostrador. Las bacterias pueden crecer y multiplicarse con rapidez en comidas calientes y húmedas. Lávese las manos cuidadosamente con agua tibia y jabón antes de iniciar la preparación de los alimentos y después de manejar carne fresca, pescado y aves.

2. PREPARACIÓN PARA COCINAR

- Esté preparado o "**Mise en Place**". Esto se refiere a estar preparado con la receta, el combustible, los accesorios, los utensilios y todos los ingredientes que necesita junto al asador antes de empezar a cocinar. Además, lea toda la receta, de principio a fin, antes de encender el asador.
- Un tapete para asador es muy útil. Debido a los accidentes al manejar la comida y las salpicaduras al cocinar, un tapete protege su terraza, patio o piso de piedra del riesgo de manchas de grasa o derrames accidentales.

3. CONSEJOS Y TÉCNICAS PARA COCINAR

- Para infundir más sabor ahumado a sus carnes, cocínelas por más tiempo y a temperaturas más bajas (esto también se conoce como "**bajo y lento**"). La carne cerrará sus fibras cuando alcance una temperatura interna de 49 °C / 120 °F. Aplicar líquidos en aerosol o con un pequeño "trapeador" son excelentes maneras de evitar que la carne se seque.
- Al marcar sus carnes, cocine con la tapa cerrada. Siempre use un termómetro de carne para determinar la temperatura interna de los alimentos que está cocinando. Ahumar la comida con pellets de madera dura le da un tono rosado a la carne y las aves. La banda rosada (después de cocinar), conocida como **anillo de humo**, es muy apreciada por los chefs de asador.
- Es mejor aplicar las salsas con base de azúcar cerca del final de la cocción, para evitar que se quemen o provoquen llamaradas.
- Deje un espacio de separación entre la comida y los extremos del barril para que el calor fluya apropiadamente. Los alimentos en una parrilla muy llena necesitarán más tiempo de cocción.
- Use un juego de tenazas de mango largo para voltear las carnes, y una espátula para voltear hamburguesas y pescados. Si usa un utensilio puntiagudo, como un trinche, perforará la carne y permitirá que se escapen los jugos.
- Las comidas en platos hondos necesitarán más tiempo de cocción que en una charola plana.
- Es una buena idea colocar los alimentos preparados en un hornillo para mantenerlos calientes. Las carnes rojas, como los bistecs y asados, saben mejor cuando reposan varios minutos antes de servirlos. Esto permite que los jugos que el calor sacó a la superficie regresen al centro de la carne, dándole más sabor.

RESOLUCIÓN DE PROBLEMAS

Una limpieza adecuada, mantenimiento y el uso de combustible limpio, seco y de calidad impedirán que surjan los problemas de funcionamiento más comunes. Cuando la barbacoa Pit Boss® no funcione bien, o se use con menor frecuencia, las siguientes sugerencias de solución de problemas pueden resultar útiles. Consulte las preguntas frecuentes en www.pitboss-grills.com. También puede ponerse en contacto con su distribuidor local autorizado de Pit Boss® o bien solicitar asistencia al servicio de Atención al cliente.

ADVERTENCIA: desconecte siempre el cable eléctrico antes de abrir la barbacoa para cualquier inspección o tarea de limpieza, mantenimiento o reparación. Asegúrese de que la barbacoa se haya enfriado por completo para evitar lesiones.

PROBLEMA	CAUSA	SOLUCIÓN
No hay luces de encendido en el tablero de control	No conectado a la alimentación eléctrica	Asegúrese de que la unidad está conectada a un tomacorriente funcional. Restablecer el disyuntor. Asegúrese de que el GFCI tiene capacidad para 10 amps por lo menos (consulte el diagrama de cableado eléctrico para encontrar el acceso a los componentes eléctricos) y asegúrese de que todas las conexiones de cables están bien colocadas y secas.
	Fusible fundido en el tablero de control	Retire el panel de acceso a la tolva (consulte el diagrama de cableado eléctrico), presione las lengüetas de plástico que sostienen el tablero de control en su lugar y tire con cuidado del controlador dentro de la tolva para liberarlo. En ese caso, será necesario cambiar manualmente el fusible.
	El tomacorriente GFCI se ha disparado.	Quite el panel de acceso de la tolva (consulte el diagrama de cableado eléctrico) y asegúrese de que todas las conexiones de cables están bien colocadas y secas. Asegúrese de que el GFCI tiene capacidad para 10 amps por lo menos
	Falla en el centro de control	Es necesario reemplazar el centro de control digital. Comuníquese a Servicio al Cliente para solicitar la refacción.
No se enciende fuego en la rejilla de combustión	Taladro no preparado	Antes de usar la unidad por primera vez o en cualquier momento que la tolva esté completamente vacía, la barrena debe cebarse para permitir que los gránulos llenen el tubo de la barrena. Si no está cebado, el encendedor expirará antes de que los gránulos lleguen a la olla de fuego. Siga el procedimiento de cebado de la tolva .
	El motor del barreno está atascado	Retire los componentes de cocción del barril principal. Presione el botón de encendido para encender la unidad e inspeccionar el sistema de alimentación del sinfín. Confirme visualmente que la barrena está dejando caer gránulos en la olla de fuego. Si no funciona correctamente, llame al Servicio al Cliente para solicitar asistencia o una pieza de repuesto.
	Falla del encendedor	Retire los componentes de cocción del barril principal. Presione el botón de encendido para encender la unidad e inspeccionar el encendedor. Confirme visualmente que el encendedor está funcionando colocando su mano sobre la olla y sintiendo calor. Confirme visualmente que el encendedor sobresale aproximadamente 13 mm / 0.5 pulgadas en la olla de fuego. Si no funciona correctamente, llame al Servicio al Cliente para solicitar asistencia o una pieza de repuesto.
La lectura de la temperatura real no se ajustará	Sonda de parrilla sucia	Siga las instrucciones de cuidado y mantenimiento .
	Sonda de la parrilla está rota	La sonda de la parrilla necesita ser reemplazada. Contactar Servicio al Cliente.
El asador no alcanza o no mantiene una temperatura estable	Flujo insuficiente de aire en la cámara de combustión	Revise la cámara de combustión para eliminar residuos de ceniza u obstrucciones. Siga las instrucciones de Cuidado y mantenimiento en caso de cenizas acumuladas. Revise el ventilador. Asegúrese de que funciona correctamente y de que la entrada de aire no está bloqueada. Siga las instrucciones de Cuidado y mantenimiento si está sucio. Revise el motor del barreno para confirmar que está funcionando y asegúrese de que no hay obstrucciones en el tubo del barreno. Una vez que haya seguido todos los pasos anteriores, encienda el asador y espere 10 minutos. Verifique que las llamas producidas sean brillantes y vivas.
	Combustible insuficiente o deficiente	Revise que la tolva tenga suficiente combustible y que no haya una obstrucción en el sistema de alimentación. Saque los pellets y siga las instrucciones de Cuidado y mantenimiento .
	Sensor de temperatura del asador	Revise el sensor del asador. Siga las instrucciones de Cuidado y mantenimiento si está sucio.

El asador produce humo excesivo o sin color	Acumulación de grasa	Siga las instrucciones de Cuidado y mantenimiento .
	Calidad de los pellets de madera	Elimine los pellets de madera húmedos de la tolva. Siga las instrucciones de Cuidado y mantenimiento para la limpieza. Reemplace con pellets de madera secos.
	La rejilla de combustión está obstruida	Saque los pellets de madera húmeda de la rejilla de combustión. Siga el procedimiento de preparación de la tolva .
	Entrada de aire insuficiente para el ventilador	Revise el ventilador. Asegúrese de que funciona correctamente y de que la entrada de aire no está bloqueada. Siga las instrucciones de Cuidado y mantenimiento si está sucio.
Llamaradas frecuentes	Temperatura de cocción	Intente cocinar a una temperatura más baja. La grasa tiene un punto de inflamación. Mantenga la temperatura debajo de 176 °C / 350 °F cuando cocine comida muy grasosa.
	Acumulación de grasa	Siga las instrucciones de Cuidado y mantenimiento .
Código de error ErP	La unidad no se apagó correctamente la última vez que se conectó a la alimentación	La función de seguridad evita un reinicio automático. Presione el botón de encendido para apagar la unidad, espere dos minutos, luego presione el botón de encendido para volver a encender la unidad. Gire a la temperatura deseada. Si aún se muestra el código de error, comuníquese con Servicio al Cliente.
	Corte de energía mientras la unidad está en funcionamiento	
Código de error ErH	La unidad se ha sobrecalentado, posiblemente debido al fuego de grasa o al exceso de combustible	Presione el botón de encendido para apagar la unidad y permita que la parrilla se enfríe. Siga las instrucciones de Cuidado y mantenimiento . Después del mantenimiento, retire los gránulos y confirme la colocación de todos los componentes. Una vez enfriado, presione el botón de encendido para encender la unidad, luego seleccione la temperatura deseada. Si aún se muestra el código de error, comuníquese con Servicio al Cliente.
Código de error ErL	La parrilla no realiza el ciclo de arranque	Verifique el posicionamiento adecuado de los componentes de cocción. Verifique que la tolva tenga suficiente combustible o si hay una obstrucción en el sistema de alimentación. Retire los gránulos y siga las instrucciones de Cuidado y mantenimiento . Verifique la sonda de la parrilla. Confirme si la temperatura real es correcta y precisa. Siga las instrucciones de Cuidado y mantenimiento si está sucio. Verifique la posición del encendedor y que se esté calentando correctamente. En frío extremo, la parrilla puede requerir un segundo arranque. Apague la parrilla, espere y vuelva a encenderla. Verifique el ventilador. Asegúrese de que esté funcionando correctamente. Siga las instrucciones de Cuidado y mantenimiento si está sucio.
	La parrilla no permanecerá encendida	
Err Código de error con el código de error PELLET parpadeando	Falta de combustible, mala calidad del combustible, obstrucción en el sistema de alimentación, barrena atascada	Revise la tolva para verificar que el nivel de combustible sea suficiente y reponga si está bajo. Si la calidad de los gránulos de madera es deficiente o la longitud de los gránulos es demasiado larga, esto puede causar una obstrucción en el sistema de alimentación. Retire los gránulos y siga las instrucciones de Cuidado y mantenimiento .
Err Código de error con el código de error IGNITOR parpadeando	El encendedor no funciona correctamente, no realiza una conexión	Retire los componentes de cocción del barril principal. Presione el botón de encendido para encender la unidad e inspeccionar el encendedor. Confirme visualmente que el encendedor está funcionando colocando su mano sobre la rejilla de la quemadura y sintiendo calor. Confirme visualmente que el encendedor está alineado con el orificio en la rejilla de la quemadura y ábralo para encender los gránulos. Si no funciona correctamente, llame al Servicio al Cliente para solicitar asistencia o una pieza de repuesto.
	Falla del encendedor	El encendedor necesita ser reemplazado. Póngase en contacto con el Servicio al cliente para obtener la pieza de repuesto.
Err Código de error con el código de error AUGER parpadeando	Sinfín no cebado	Antes de usar la unidad por primera vez o en cualquier momento que la tolva esté completamente vacía, la barrena debe estar cebada para permitir que los gránulos llenen la olla quemada. Si no está cebado, el encendedor expirará antes de que se enciendan los gránulos. Siga el procedimiento de cebado de la tolva .
	El motor de la barrena está atascado, no hace la conexión	Retire los componentes de cocción del barril principal. Presione el botón de encendido para encender la unidad e inspeccionar el sistema de alimentación del sinfín. Confirme visualmente que la barrena está dejando caer gránulos en la olla quemada. Si no funciona correctamente, llame al Servicio al Cliente para solicitar asistencia o una pieza de repuesto.
Err Código de error con el código de error FAN parpadeando	El ventilador no funciona correctamente, no se conecta	Verifique el ventilador. Asegúrese de que funcione correctamente y que la entrada de aire no esté bloqueada. Retire el panel de acceso a la tolva (consulte el diagrama del cable eléctrico para ver el diagrama) y verifique si hay daños en los cables del ventilador. Siga las instrucciones de cuidado y mantenimiento si las aspas del ventilador están sucias.

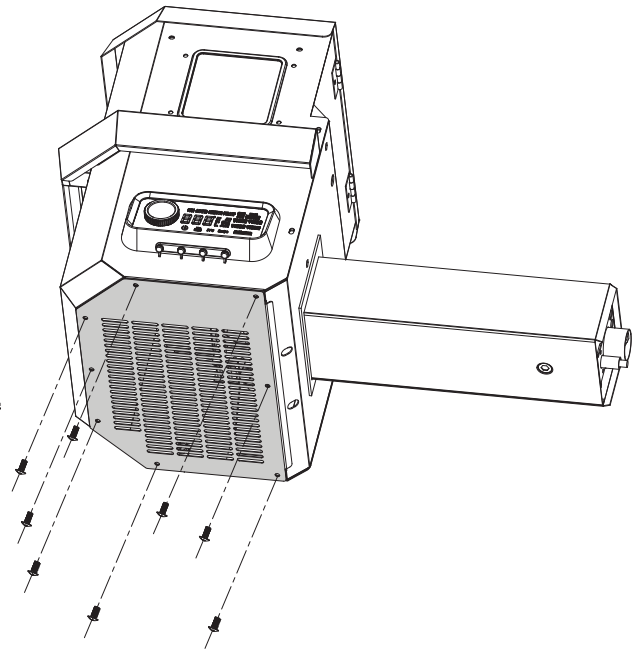
DIAGRAMA DE CABLEADO ELÉCTRICO

El sistema del tablero de control digital es un dispositivo tecnológico intrincado y valioso. Para protegerlo de los picos de voltaje y los cortocircuitos eléctricos, consulte el siguiente diagrama de cableado para asegurarse de que su fuente de alimentación es suficiente para la operación de la unidad.

PB – REQUISITOS DE ALIMENTACIÓN ELÉCTRICA 110-120V, 60Hz, 275W, CONECTOR DE 3 CLAVIJAS CON TIERRA

NOTA: Los componentes eléctricos, que pasaron por pruebas y servicios de certificación de seguridad de productos, cumplen con una tolerancia de prueba de $\pm 5-10$ por ciento.

ENCUENTRE Y quite los OCHO tornillos del panel de acceso de la parte inferior de la unidad.

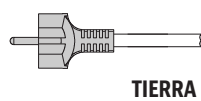


CAPACIDAD DE ENTRADA DE COMBUSTIBLE:
2.0 KG/H
(4.4 LB/H)

TABLERO DE CONTROL

CABLE DE ALIMENTACIÓN CON CONEXIÓN A TIERRA

VW-1, 105°C / 221°F,
18-3 STANDARD CSA



TIERRA

SENSOR DEL ASADOR

CONJUNTO DE ENCENDEDOR / CALEFACTOR DE CARTUCHO HD

200W, 120V
0.375 X 5.0 PULG. / 9.5 X 127MM

ENCENDER
25W, 120V

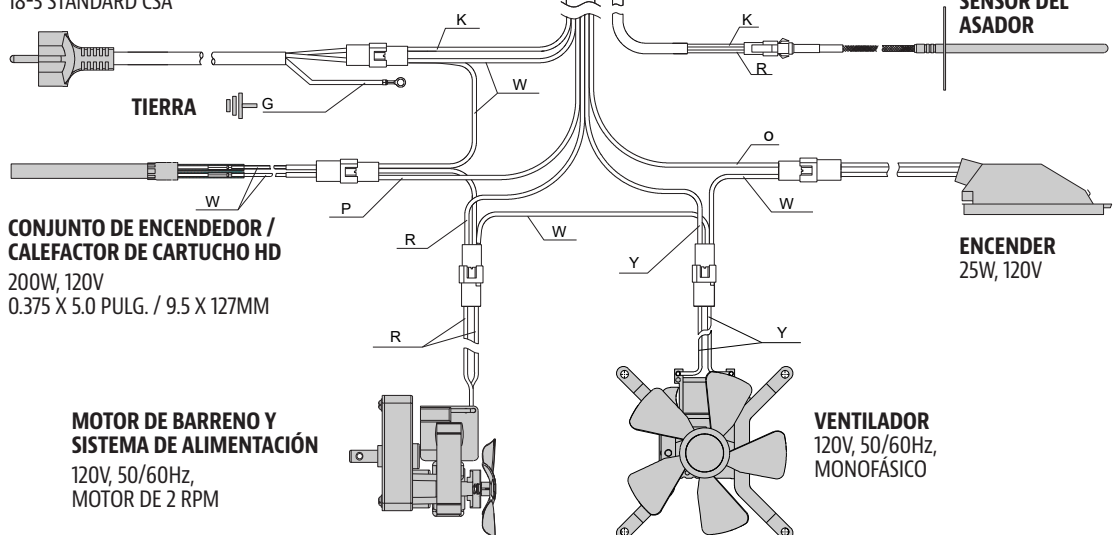
MOTOR DE BARRENO Y SISTEMA DE ALIMENTACIÓN

120V, 50/60Hz,
MOTOR DE 2 RPM

VENTILADOR
120V, 50/60Hz,
MONOFÁSICO

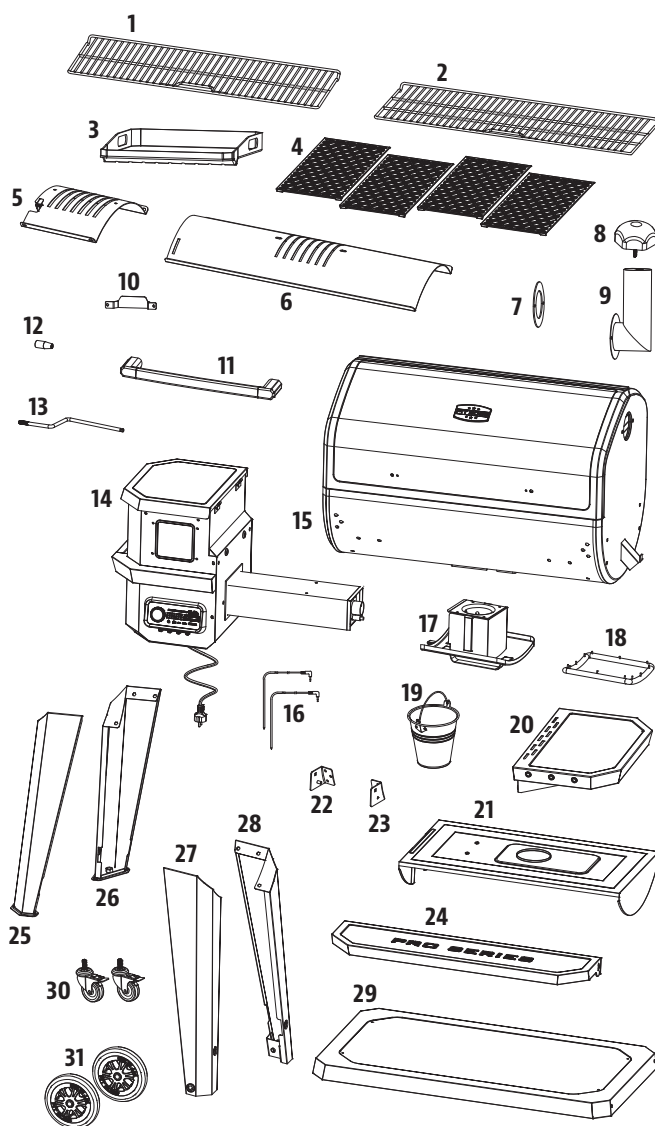
ÍNDICE

K : NEGRO
W : BLANCO
R : ROJO
Y : AMARILLO
P : PÚRPURA
O : NARANJA
G : VERDE



REFACCIONES PARA EL ASADOR

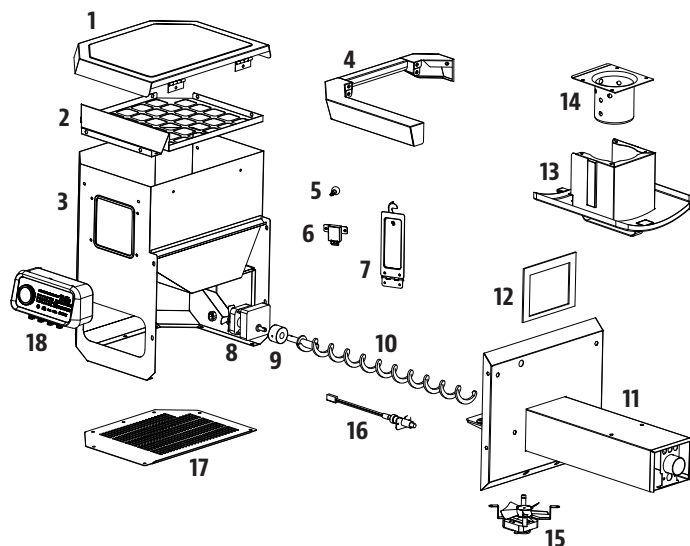
N°	Descripción
1	Parrilla superior para cocinar (x1)
2	Parrilla media para cocinar (x1)
3	Plancha (x1)
4	Rejillas para cocinar (x4)
5	Cubierta deslizante de la rejilla de flama (x1)
6	Placa principal de rejilla de flama (x1)
7	Empaque de la chimenea (x1)
8	Tapa de la chimenea (x1)
9	Cañón de la chimenea (x1)
10	Percha de rack (x1)
11	Asa de la tapa (x1)
12	Manija de la barra de ajuste de la rejilla de flama (x1)
13	Barra de ajuste de la rejilla de flama (x1)
14	Conjunto de tolva (x1)
15	Tambor principal (x1)
16	Sensore para carne (x2)
17	caja de cenizas (x1)
18	junta de la caja de cenizas (x1)
19	Cubeta de grasa (x1)
20	Repisa lateral (x1)
21	Placa difusora (x1)
22	Soporte de la repisa frontal / izquierda (x1)
23	Soporte de la repisa frontal / derecho (x1)
24	Repisa frontal (x1)
25	Pata de soporte izquierda - Delantera (x1)
26	Pata de soporte izquierda - Espalda (x1)
27	Pata de soporte derecha - Delantera (x1)
28	Pata de soporte derecha - Espalda (x1)
29	Repisa inferior (x1)
30	Rueda pivotante de cierre (x2)
31	Rueda (x2)
A	Tornillos (x28)
B	Arandelas (x24)
C	Arandelas de seguridad (x22)
D	Ganchos para implementos (x3)
E	Chavetas de rueda (x2)
F	Arandelas de eje de rueda (x2)
G	Clavijas de eje de rueda (x2)
H	Tornillos (x2)
I	Tuercas (x2)
J	Casquillos (x2)



NOTA: Debido a que los productos están en desarrollo constante, las partes están sujetas a cambios sin previo aviso.

REFACCIONES PARA LA TOLVA

N°	Descripción
1-PSH	Tapa de la tolva (x1)
2-PSH	Pantalla de seguridad de la tolva (x1)
3-PSH	Carcasa de la tolva (x1)
4-PSH	Asa de la tolva (x1)
5-PSH	Asa de bloqueo del vertedor (x1)
6-PSH	Conjunto del vertedor (x1)
7-PSH	Puerta del vertedor (x1)
8-PSH	Motor del alimentador de espiral (x1)
9-PSH	Casquillo de nylon (x1)
10-PSH	Conjunto de fuga de la tolva (x1)
11-PSH	Carcasa del alimentador de espiral (x1)
12-PSH	Junta de la carcasa de la tolva (x1)
13-PSH	Caja de cenizas (x1)
14-PSH	Chimenea (x1)
15-PSH	Ventilador de combustión (x1)
16-PSH	Sistema de ignición (x1)
17-PSH	Panel de acceso a la tolva (x1)
18-PSH	Tablero de control (x1)



GARANTÍA

CONDICIONES

Todos los asadores de pellets de madera de Pit Boss®, fabricados por Dansons, tiene una garantía limitada a partir de la fecha de venta solo para el comprador original. La cobertura de la garantía comienza en la fecha original de compra y es necesario un comprobante de la fecha de la compra o una copia de la factura original de compra para validar la garantía. Los clientes deberán cubrir el costo de las refacciones, manejo y envío si no pueden proporcionar el comprobante de compra o si la garantía ha expirado.

Dansons ofrece una garantía por cinco (5) años contra defectos y mano de obra en todas las partes, y por cinco (5) años en los componentes eléctricos. Dansons garantiza que todas las partes están libres de defectos materiales y de mano de obra, para el período de uso y propiedad del comprador original. La garantía no cubre daños por desgaste normal, tales como rasguños, abolladuras, muescas o fisuras menores superficiales. Estos cambios estéticos en la parrilla no afectan su rendimiento. La reparación o reemplazo de cualquier pieza no extiende el período de garantía limitada más allá de cinco (5) años de la fecha de compra.

Durante el período de la garantía, la obligación de Dansons se limitará solo a suministrar un reemplazo para componentes defectuosos y/o que presenten fallas. Durante el período de garantía, Dansons no cobrará por reparaciones o reemplazos de partes devueltas, con envío prepagado, si considera que las partes son defectuosas luego de haberlas examinado. Dansons no será responsable de costos de transporte, mano de obra o derechos de exportación. Salvo por lo establecido en estas condiciones de la garantía, la reparación o reemplazo de partes, de la manera y durante el período de tiempo aquí mencionados, constituye el cumplimiento de todas las responsabilidades y obligaciones, directas y derivadas, de Dansons hacia usted.

Dansons hace todo lo posible por utilizar materiales que retarden la oxidación. Incluso con estas precauciones, diferentes sustancias y condiciones fuera del control de Dansons pueden afectar los recubrimientos protectores. Las Temperaturas altas, la humedad excesiva, el cloro, los humos industriales, los fertilizantes, los pesticidas de jardín y la sal son algunas de las sustancias que pueden afectar los recubrimientos del metal. Por estas razones, la garantía no cubre corrosión ni oxidación, a menos que exista una pérdida de integridad estructural en el componente del asador. Si ocurre alguna de las condiciones anteriores, consulte la sección de cuidado y mantenimiento para prolongar la vida útil de su unidad. Dansons recomienda el uso de una cubierta para el asador cuando este no esté en uso.

La garantía se basa en el uso y servicio doméstico normal del asador, y ninguna garantía limitada se aplica a un asador que se utilice en aplicaciones comerciales.

EXCEPCIONES

No existe una garantía escrita o implícita de desempeño en los asadores Pit Boss®, ya que el fabricante no tiene control sobre la instalación, la operación, la limpieza, el mantenimiento o el tipo de combustible utilizado. Esta garantía no aplicará, y Dansons no asumirá ninguna responsabilidad, si su aparato no se instaló, operó, limpió o mantuvo en estricto cumplimiento con este manual del propietario. Cualquier uso de gas que no se explique en este manual puede anular la garantía. La garantía no cubre daños ni fallas debidas al mal uso, manejo inapropiado o modificaciones.

Ni Dansons ni el distribuidor autorizado de Pit Boss® asumen responsabilidad alguna, jurídica o de otro tipo, por los daños accidentales o consecuentes a los bienes o las personas debido al uso de este producto. Si se realiza una demanda contra Dansons con base en una infracción de esta garantía o de cualquier otro tipo de garantía explícita o implícita por la ley, el fabricante de ninguna manera será responsable de cualquier daño especial, indirecto o consecuente, ni por otros daños de cualquier naturaleza, por encima del precio original de compra de este producto. Todas las garantías del fabricante se especifican en este documento y no se puede realizar ninguna demanda contra el fabricante por cualquier garantía o promesa.

Algunos estados no permiten la exclusión o limitación de daños incidentales o consecuentes, o limitaciones de garantías implícitas, así que las limitaciones o exclusiones especificadas en esta garantía limitada podrían no aplicar para usted. Esta garantía limitada le da derechos jurídicos específicos y usted podría tener otros derechos, los cuales varían de estado a estado.

CÓMO ORDENAR REFACCIONES

Para ordenar refacciones, comuníquese con el distribuidor de Pit Boss® de su localidad, o visite nuestra tienda en línea en: www.pitboss-grills.com

CONTACTO CON SERVICIO AL CLIENTE

Si tiene preguntas o problemas, comuníquese con servicio al cliente.

service@pitboss-grills.com | EE.UU: (480) 923-9630 | Canada (Gratuita): 1-877-942-2246

SERVICIO BAJO GARANTÍA

Comuníquese con su distribuidor Pit Boss® más cercano para reparaciones o refacciones. Dansons requiere un comprobante de compra para otorgar una reclamación de garantía; por lo tanto, conserve su recibo o factura de venta original para referencia futura. Puede ver el número de serie y modelo de su Pit Boss® en el interior de la tapa de la tolva. Escriba los números a continuación, ya que la etiqueta podría desgastarse o quedar ilegible.

MODELO

NÚMERO DE SERIE

FECHA DE COMPRA

DISTRIBUIDOR AUTORIZADO

RECETAS

PECHO CLÁSICO

Rinde 4 - 6 porciones

Un pecho completo de res pesa de 7.25 a 3.62 kg / 16 a 18 libras y tiene tres partes distintas: el tope, la punta y la falda. Use la sección de la falda, ya que es magra, compacta y produce buenas rebanadas al cortarla.

Ingredientes:

1	1 Pecho de res 2.2-3.6 kg / 5-8 lbs, La capa de grasa debe tener al menos 0.6 cm / ¼ pulg. de grosor
1 envase	mostaza amarilla preparada
75 ml / 5 C.	sazonador
1 botella	salsa de chili
1 paquete	mezcla seca de sopa de cebolla
375 ml / 1 ½ tz.	caldo de res
40 ml / 8 c.	pimienta negra

Sabor de pellets de madera sugerido: Nogal / Competencia

Instrucciones:

1. Extienda un trozo grande de plástico para envolver en su lugar de trabajo. De tamaño suficiente para envolver el brisket. Usando un cuchillo afilado, haga un corte en la parte inferior del brisket en contra del grano. Esto ayudará a rebanar el brisket terminado contra el grano, dándole un corte tierno que se deshace en la boca. La parte inferior es la que no tiene capa de grasa. Cubra con una cantidad generosa de mostaza preparada. Frótelas ligeramente sobre toda el área. Esparza una cantidad generosa de sazón sobre la mostaza, y vuelva a frotarla con suavidad en la carne. Voltee el brisket y repita el proceso. Envuelva el brisket preparado en el plástico y refrigere de 2 a 4 horas o toda la noche.
2. Prepare la mezcla para untar. Mezcle la salsa de chili, la mezcla seca de sopa de cebolla, el caldo de res y la pimienta negra. Déjelos reposar.
3. **Precalente el asador y lleve el gabinete para ahumar a 82-107°C / 180-225°F.**
4. Coloque el brisket, con el lado de la grasa hacia arriba, en el centro del asador. Cierre la tapa del asador. Cocine **bajo y lento** hasta que esté tierno, de 10 a 12 horas.
5. Unte el brisket con la mezcla para untar al menos cada media hora durante las primeras 3 horas.
6. Continúe el proceso de ahumado lento hasta que la temperatura interna alcance 60-66 °C / 140-150 °F. Saque el brisket del ahumador. **Suba la temperatura del asador a 176 °C / 350 °.**
7. Coloque el brisket en un envoltorio hecho de dos capas de papel aluminio. Vierta 50 ml / ¼ de taza de mezcla para untar sobre el brisket, dentro del envoltorio. Cierre el envoltorio.
8. Coloque el envoltorio cuidadosamente en el asador. Ahúme de 1 a 1 ½ horas.

9. Abra el envoltorio y use un termómetro de carne, la temperatura interna debe llegar a 91 °C / 195 °F. El brisket debe estar firme, pero debe poder desmenuzarse la carne con sus dedos
10. Transfiera la carne a una tabla de cortar y déjela reposar por 10 minutos. Corte rebanadas delgadas contra el grano para servirlo.

SALCHICHA CON CHUTNEY DE MANGO

Rinde 4 - 6 porciones

Ingredientes:

2	Mangos (picados)
0.9 kg / 2 lbs	Salchicha italiana (picante o suave)
10 ml / 2 c.	perejil fresco (molido)
15 ml / 1 C.	pimiento rojo (en cubos)
10 ml / 2 c.	miel
½	cebolla roja (en cubos)
½ bulbo	hinojo (en cubos)
5 ml / 1 c.	jugo de lima
Pizca	sal

Sabor de pellets de madera sugerido: Nogal / Competencia

Instrucciones:

1. **Precalente el asador, y luego reduzca a bajo-medio (82-107 °C / 180- 225 °F)**
2. Coloque las salchichas en el asador, con una separación regular. Voltéelas cada diez minutos para asar todos los lados.
3. Combine los demás ingredientes para preparar el chutney. Enfríe hasta que esté listo para servir.
4. Deslice las salchichas asadas en diagonal, y sirva acompañadas de chutney.

BISTEC CON QUESO AZUL

Rinde 4 porciones

Ingredientes:

4	Bistecs, T-bone o Rib-Eye 2.54cm / 1 pulg. de grosor 0.28-0.62 kg / 10-12 onzas cada uno
113 g / 4 oz.	queso azul
50 ml / ¼ tz.	cebolla verde (en rebanadas delgadas)

Sabor de pellets de madera sugerido: Nogal / Competencia / Whiskey

Instrucciones:

1. **Precalente el asador, y luego déjelo o redúzcalo ligeramente (204-260 °C / 400-500 °F).**
2. Quite el exceso de grasa de la carne y deséchelo.
3. Coloque los bistecs en la parrilla. Marque los dos lados, volteándolos cada pocos minutos.

4. **Reduzca la temperatura a 135 °C/275 °F o a 163 °C/ 325 °F.** Voltee los bistecs por última vez. Mezcle el queso azul y las cebollas. Espolvoree sobre los bistecs, cierre la tapa del asador y áselos hasta el término deseado. Revise el grado de cocción haciendo un corte en la carne cerca del hueso.

Variación: MÉTODO DE MARCADO INVERSO

Reduzca la temperatura a 82°C / 180°F, y coloque los bistecs en la parrilla. Ahúme de 5 a 15 minutos. Una vez ahumados al término deseado, vuelva a elevar **la temperatura del asador a alto 204-260°C / 400-500°F** y marque los bistecs a su gusto.

COSTILLAS BBQ

Rinde 4 - 6 porciones

Ingredientes:

1.3-1.8 kg / 3-4 lbs	Costillas <i>Costillas de cerdo cargadas o costillas de lomo</i>
45 ml / 3 C.	Aceite
5 ml / 1 c.	Sal
5 ml / 1 c.	Pimienta
2 enteras	Cebollas (picadas)
30 ml / 2 C.	Vinagre
30 ml / 2 C.	Salsa Worcestershire
125 ml / ½ tz.	Jugo o refresco de manzana
5 ml / 1 c.	Paprika
5 ml / 1 c.	Chile en polvo

Sabor de pellets de madera sugerido: Nogal / Competencia / Manzano

Instrucciones:

1. **Pre caliente el asador, y luego reduzca a temperatura baja a 82-107 °C / 180-225 °F.**
2. Prepare las costillas quitando la capa de piel dura en la parte trasera. Sazone las costillas con sal y pimienta al gusto.
3. Coloque las costillas en el asador, con una separación regular. Ahúme de 3 a 4 horas.
4. Mezcle los demás ingredientes en una charola y póngalos a hervir. Deje hervir la salsa cinco minutos hasta que se espese.
5. Sáquela del asador. **Suba la temperatura del asador a 176 °C / 350 °F.**
6. Coloque cada costillar en un envoltorio hecho de dos capas de papel aluminio. Vierta 50 ml / ¼ de taza de salsa sobre las costillas, dentro del envoltorio. Cierre el envoltorio.
7. Coloque el envoltorio cuidadosamente en el asador. Ahúme de 1 a 1 ½ horas.
8. Abra el envoltorio. La carne habrá expuesto los extremos de las costillas y estará muy tierna. Ponga la temperatura del asador en alto a 260 °C / 500 °F. Vuelva a colocar las costillas en la parrilla y úntelas con la salsa por ambos lados.
9. Cuando la salsa esté caramelizada y las costillas estén pegajosas, sáquelas del asador y síralas.

Variación: MÉTODO "MEMPHIS DRY"

Ponga **la temperatura del asador en alto a 260 °C / 500 °F.** Vuelva a colocar las costillas en la parrilla y sazónelas con un sazónador o aliño seco. Marque las costillas, sáquelas del asador y síralas.

HAMBURGUESAS CLÁSICAS DE PATIO TRASERO

Rinde 4 - 6 porciones

Ingredientes:

900 g / 2 lbs	Carne molida de res o búfalo
15 ml / 3 c.	Sazonador
2 enteros	Huevos a temperatura ambiente
500 ml / 2 tz.	Migajas de pan (secas, finas)
6 - 8	Panes para hamburguesa / panecillos Kaiser
6 - 8 rebanadas	Queso (en rebanadas delgadas)
30 ml / 2 C.	Mantequilla

Sabor de pellets de madera sugerido: Nogal / Competencia

Instrucciones:

1. **Pre caliente el asador, y luego déjelo o redúzcalo ligeramente a 204-260 °C / 400-500 °F.**
2. Combine la carne, el sazónador, los huevos y las migajas de pan en un tazón para mezclar y revuelva bien. Divida la carne en porciones y forme hamburguesas de tamaño y forma similares a los panes. Haga hamburguesas de alrededor de 1.9 cm / ¾ pulg. de grosor.
3. Coloque las hamburguesas en el asador. Ase seis minutos por cada lado, cuidando de no presionar la carne. Pruebe si están bien cocidas con un termómetro para carne; la temperatura interna debe alcanzar 71°C / 160°F. La carne puede ponerse rosada por fuera debido al humo.
4. En los últimos minutos de cocción, aplique mantequilla con un pincel a los panes y tuéstelos ligeramente en la parrilla.
5. Saque los panes y las hamburguesas cuando estén listas. Complemente las hamburguesas con queso derretido y sirva.

CONSEJO: Una carne ligeramente más grasosa resulta en una hamburguesa más jugosa. Como una alternativa magra, pruebe la carne molida de búfalo.

BISTEC DE SIRLOIN CON CEBOLLAS DULCES Y PIMIENTOS

Rinde 4 porciones

Ingredientes:

2	Steak, Top Sirloin <i>1 pulg. de grosor, cortados en 4 piezas. 0.45kg/1 lb</i>
10 ml / 2 c.	sazonador o aliño
5 medianas	cebollas dulces (picadas grueso)
2 enteras	pimientos morrones (de cualquier tipo, picados)
60 ml / 4 C.	salsa de soya
60 ml / 4 C.	aceite de oliva
Pizca	sal

Sabor de pellets de madera sugerido: Nogal / Mezquite / Whisky

Instrucciones:

1. **Pre caliente el asador, y luego reduzca la temperatura ligeramente a 218°C / 425°F.**
2. Sazone ambos lados de los bistecs con el sazónador o aliño. Cubra y refrigere al menos 1 hora.
3. Coloque las cebollas y los pimientos en una bandeja cubierta de papel aluminio. Mezcle la salsa de soya y el aceite de oliva, y rocíe la mezcla sobre la bandeja. Espolvoree con sal. Selle por completo el paquete de papel aluminio.
4. Coloque el paquete en el asador durante 10 a 15 minutos o hasta que las verduras estén suaves y tiernas. Saque el paquete del asador y manténgalo cerrado.
5. Coloque los bistecs en la parrilla. Marque los dos lados, volteándolos cada pocos minutos.
6. Áselos hasta el término deseado, y luego sáquelos del asador. Coloque en platos para servir y cúbralos con las verduras calientes.

GALLINAS DE CORNUALLES CON ARROZ MANDARÍN

Rinde 4 porciones

Ingredientes:

4 enteras	Gallinas de Cornualles enteras
750 ml / 3 tz.	arroz mandarín
15 ml / 1 C.	aceite de oliva
5 ml / 1 c.	paprika ahumada
250 ml / 1 tz.	mermelada de naranja

Arroz mandarín

59 ml / ¼ tz.	almendras (en rebanadas)
30 ml / 2 C.	apio (picado)
1 pequeña	cebolla verde (en rebanadas finas)
30 ml / 2 C.	mantequilla
1 lata	gajos de mandarina (drenada) <i>0.4 kg/11oz.</i>
30 ml / 2 C.	jugo de naranja (concentrado)
500 ml / 2 tz.	arroz cocido

Sabor de pellets de madera sugerido: Nogal / Mesquite / Competencia

Instrucciones:

1. Prepare el arroz mandarín cociendo las almendras, el apio, la cebolla verde y la mantequilla en una sartén pequeña hasta que las almendras estén ligeramente tostadas. Combine la mezcla con los gajos de naranja, el jugo de naranja y el arroz cocido en un tazón, y déjela reposar.
2. **Pre caliente el asador, y luego reduzca a temperatura a 135-177°C / 275-350°F.**
3. Enjuague las gallinas de Cornualles y séquelas con toallas de papel. Rellene las gallinas con la mezcla de arroz y ate las patas con cordel. Aplique una capa ligera de aceite de oliva con brocha a las gallinas y espolvoreelas con paprika.
4. Coloque las gallinas en el asador. Áselas de 45 a 60 minutos, hasta que la carne de la pierna esté tierna al presionarla.
5. Unte las gallinas con mermelada de naranja durante los últimos 20 minutos del tiempo de cocción. Saque las gallinas del asador y acomódelas en un plato para servir.

CONSEJO: Si desea juntar los jugos para hacer gravy, coloque las gallinas en una bandeja de papel aluminio y añada suficiente agua o jugo para cubrir el fondo hasta unos 0.6 cm / ¼ pulg.

KEBABS DE CAMARÓN CON MANTEQUILLA DE CURRY

Rinde 4 porciones

Ingredientes:

900g / 2 lbs	Camarones (pelados, sin venas)
125ml / ½ tz.	Mantequilla de curry
15 ml / 1 C.	Aceite de oliva
1	Lima
	Eneldo fresco

Mantequilla de curry

125 ml / ½ tz.	Mantequilla
30 ml / 2 C.	Cebolla (picada)
15 ml / 1 C.	Eneldo fresco
5 ml / 1 C.	Curry en polvo
Pizca	Ajo en polvo

Sabor de pellets de madera sugerido: Mesquite / Competencia

Instrucciones:

1. Remoje brochetas de madera en agua por 1 hora.
2. **Pre caliente el asador, y luego reduzca a 135-163°C / 275-325°F.**
3. Prepare la mantequilla de curry derritiendo mantequilla en una sartén pequeña a calor medio-alto. Incorpore la cebolla, el eneldo, el curry en polvo y el ajo en polvo. Deje cocer por cinco minutos y quite la sartén del calor.

4. Ensarte los camarones en brochetas, dejando espacio entre las piezas. Aplique una capa ligera de aceite de oliva con brocha.
5. Coloque las brochetas en el asador, y áselas hasta que los camarones estén blancos y tiernos. Cosa los camarones rápidamente; tenga cuidado de no cocer demasiado. Voltee las brochetas de camarón una vez y aplique la mantequilla de curry con brocha a la mitad del tiempo de cocción.
6. Acomode los camarones asados en un plato para servir. Acompañe con rodajas de lima y eneldo.

CONSEJO: Para ensartar un camarón de modo que quede derecho, sosténgalo estirado con una mano. Empiece por el extremo de la cola e inserte una brocheta de bambú o madera dentro del camarón de modo que atravesese toda su longitud. Siga enderezando el camarón con los dedos conforme avance.

CAMARÓN EN BROCHETA CON TOCINO Y ALBAHACA

Rinde 4 - 6 porciones

Ingredientes:

24 grandes camarones (pelados, sin venas)
 24 enteras hojas de albahaca fresca
 24 rebanadas tocino (en rebanadas delgadas)

Sabor de pellets de madera sugerido: Cerezo / Manzano

Instrucciones:

1. Remoje brochetas de madera en agua por 1 hora.
2. **Precalente el asador, y luego reduzca a 135-163°C / 275-325°F.**
3. Envuelva un camarón y una hoja de albahaca en una rebanada delgada de tocino, y luego ensártelo en la brocheta, dejando espacio entre los camarones.
4. Coloque las brochetas en el asador, y áselas hasta que los camarones estén blancos y tiernos y el tocino esté dorado. Cosa los camarones rápidamente; tenga cuidado de no cocer demasiado. Voltee las brochetas con frecuencia para que no se quemem.
5. Saque del calor y sirva.

PAVO AHUMADO ENTERO

Rinde para un pequeño ejército - ¡las sobras están excelentes!

Ingredientes:

1 entero Pavo (descongelado)
9-11.3 kg / 20-25 lbs
 60 ml / 4 C. Sazonador
 5 ml / 1 c. Paprika ahumada
 45 ml / 3 C. Mantequilla

Sabor de pellets de madera sugerido: Nogal / Cerezo / Competencia

Instrucciones:

1. **Precalente el asador, y luego reduzca la temperatura a 135-177 °C / 275-350 °.**
2. Saque el pescuezo y los menudos del pavo. Enjuague el pavo abundantemente y seque la parte exterior dando golpecitos con toallas de papel.
3. En un tazón pequeño mezcle la mantequilla, ¼ parte del sazónador y la paprika para formar una pasta. Inserte cuidadosamente su mano entre la piel exterior y la carne de la pechuga. Unte la pasta en la carne.
4. Unte el sazónador restante en la superficie exterior del pavo.
5. Coloque el pavo, con la pechuga hacia arriba, en el centro de la parrilla y áselo hasta que esté tierno y dorado; la temperatura interna debe llegar a 82 °C / 180 °F en la parte más gruesa del muslo y a 77 °C / 170 °F en la pechuga.
6. Saque el pavo, cúbralo con papel aluminio y déjelo reposar por 10 minutos antes de cortarlo.

CONSEJO: Si quiere usar los jugos para hacer un gravy, coloque el pavo en la parrilla dentro de una bandeja de papel aluminio grande. Añada 0.6 cm / ¼ pulg. de agua o caldo y algo de sazónador en el fondo de la bandeja. Vigile los jugos, ya que quizá necesite añadir más durante la cocción.

POLLO DE LATA DE CERVEZA

Rinde 2 - 6 porciones

Ingredientes:

1 entero Pollo
1.8-2.7 kg / 4-6 lbs
 1 lata Cerveza, de cualquier tipo
 45 ml / 3 C. Sazonador

Sabor de pellets de madera sugerido: Nogal / Manzano / Competencia

Instrucciones:

1. **Precalente el asador, y luego reduzca la temperatura a 135-177 °C / 275-350 °.**
2. Abra la lata y vierta la mitad de la cerveza en un vaso para beberla. Deje la mitad en la lata, y haga algunos agujeros adicionales en la parte superior de la lata para aumentar la ventilación. Añada ¼ del sazónador a la lata.
3. Enjuague el pollo abundantemente y seque la parte exterior dando golpecitos con toallas de papel. Añada 1/4 del aliño dentro de la cavidad del pollo. Unte el sazónador restante en la superficie exterior del pollo.
4. Inserte la lata vertical dentro de la cavidad del pollo, colóquelo en la parrilla y cierre la tapa del asador. Áselo hasta que el pollo esté dorado y crujiente; la temperatura interna debe llegar a 74 °C / 165 °F.
5. Usando pinzas, saque cuidadosamente el pollo y la lata del asador. Deje reposar cinco minutos, y luego retire cuidadosamente la

lata de la cavidad del pollo. Tenga cuidado de no derramar el líquido, ya que estará caliente.

6. Corte el pollo y sírvalo.

Variación: POLLO DE LATA DE CERVEZA NO ALCOHÓLICA

Use las mismas instrucciones anteriores, pero sustituya la lata de cerveza con una lata de su refresco no dietético favorito, jugo de fruta o agua con sazónador adicional.

POLLO SATAY CON ADEREZO RANCH

Rinde 2 - 6 porciones

Ingredientes:

450g / 1 lb Pechugas o muslos de pollo (sin huesos ni piel)
112 ml / ½ tz. Aderezo preparado ranch o italiano para ensalada
Pizca Sal
Pizca Pimienta

Sabor de pellets de madera sugerido: Manzano / Cerezo

Instrucciones:

1. Corte el pollo a lo largo en piezas de 0.63 cm / 1/4 pulg. de grosor o ligeramente más grandes. Enjuague el pollo y séquelo dando golpecitos con toallas de papel.
2. Coloque las piezas de pollo en una bolsa de plástico con cierre. Añada aderezo de ensalada, sal y pimienta al gusto. Selle la bolsa y agítela con cuidado, cubriendo el pollo de manera uniforme. Coloque en el refrigerador de 1 a 2 horas, o toda la noche. Agite la bolsa una o dos veces para que el pollo se marine uniformemente.
3. Remoje brochetas de madera en agua por 1 hora antes de usarlas.
4. **Precaliente el asador, y luego reduzca la temperatura ligeramente a 218°C / 425°F.**
5. Saque el pollo de la bolsa de plástico y tréncelo hacia adentro y afuera en las brochetas, como un moño.
6. Coloque las brochetas en el asador, y áselas hasta que el pollo esté blanco y firme. Voltee las brochetas con frecuencia para que no se quemen.
7. Saque del calor y sirva.

IMPORTANT

DO NOT RETURN PRODUCT TO STORE

FOR ALL QUESTIONS, COMMENTS, OR INQUIRIES, PLEASE CONTACT DANSONS OUR CUSTOMER CARE DEPARTMENT.

USA: (480) 923-9630 | CANADA (TOLL FREE): 1-877-942-2246

IMPORTANT

NE RETOURNEZ PAS LE PRODUIT AU MAGASIN

POUR TOUTES QUESTIONS, COMMENTAIRES OU DEMANDES DE RENSEIGNEMENTS, VEUILLEZ COMMUNIQUER AVEC LE SERVICE À LA CLIENTÈLE DE DANSONS.

ÉTATS-UNIS : (480) 923-9630 | CANADA (SANS FRAIS) : 1-877-942-2246

¡IMPORTANTE!

NO DEVUELVA EL PRODUCTO A LA TIENDA

PARA TODAS LAS PREGUNTAS, COMENTARIOS O CONSULTAS, COMUNÍQUESE CON EL DEPARTAMENTO DE ATENCIÓN AL CLIENTE DE DANSONS.

EE.UU: (480) 923-9630 | CANADA (GRATUITA): 1-877-942-2246

SERVICE@PITBOSS-GRILLS.COM



© 2021 DANSONS
602211028LWM

PITBOSS-GRILLS.COM

MADE IN CHINA | FABRIQUÉ EN CHINE | HECHO EN CHINA



WARNING: THIS PRODUCT CAN EXPOSE YOU TO CHEMICALS INCLUDING WOOD DUST, WHICH IS KNOWN TO THE STATE OF CALIFORNIA TO CAUSE CANCER, AND CARBON MONOXIDE, WHICH IS KNOWN TO THE STATE OF CALIFORNIA TO CAUSE BIRTH DEFECTS OR OTHER REPRODUCTIVE HARM. FOR MORE INFORMATION GO TO WWW.P65WARNINGS.CA.GOV.



AVERTISSEMENT : CE PRODUIT PEUT VOUS EXPOSER À DES AGENTS CHIMIQUES, Y COMPRIS LA POUSSIÈRE DE BOIS, IDENTIFIÉS PAR L'ÉTAT DE CALIFORNIE COMME POUVANT CAUSER LE CANCER, ET LE MONOXYDE DE CARBONE, RECONNU PAR L'ÉTAT DE CALIFORNIE COMME POUVANT CAUSER DES MALFORMATIONS CONGÉNITALES OU AUTRES EFFETS NOCIFS SUR LA REPRODUCTION. POUR DE PLUS AMPLES INFORMATIONS, PRIÈRE DE CONSULTER WWW.P65WARNINGS.CA.GOV



ADVERTENCIA: ESTE PRODUCTO PUEDE EXPONERLE A QUÍMICOS INCLUYENDO POLVO DE MADERA, QUE ES CONOCIDO POR EL ESTADO DE CALIFORNIA COMO CAUSANTES DE CÁNCER Y AL MONÓXIDO DE CARBONO, QUE ES CONOCIDO POR EL ESTADO DE CALIFORNIA COMO CAUSANTE DE DEFECTOS DE NACIMIENTO U OTROS DAÑOS REPRODUCTIVOS. PARA MAYOR INFORMACIÓN, VISITE WWW.P65WARNINGS.CA.GOV

