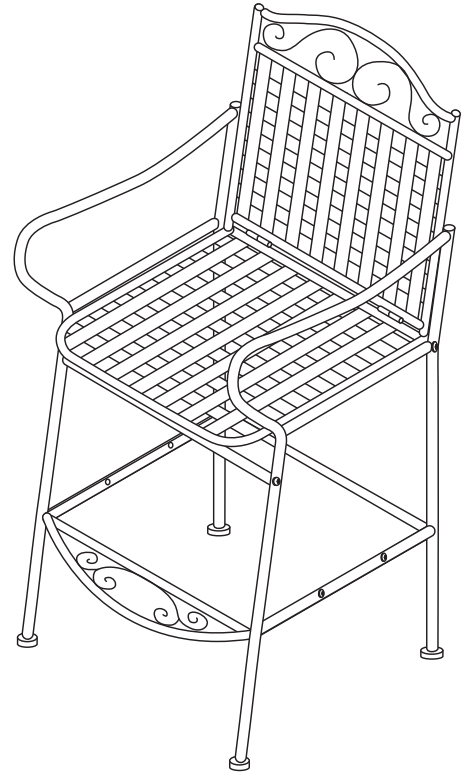
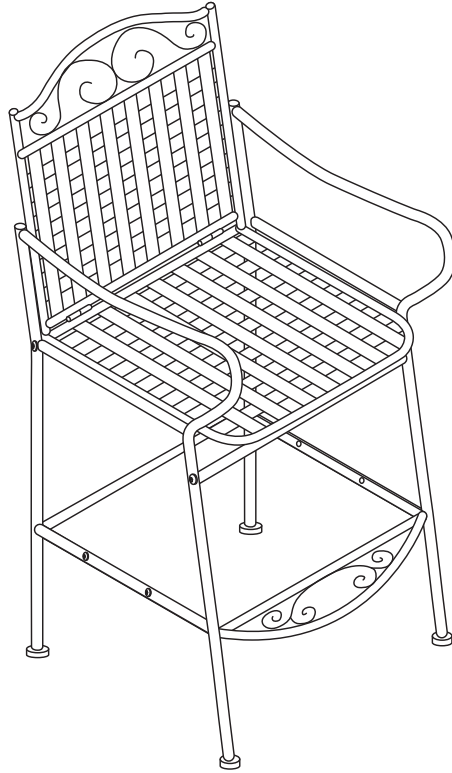




WROUGHT IRON BAR-HEIGHT CHAIRS




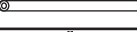
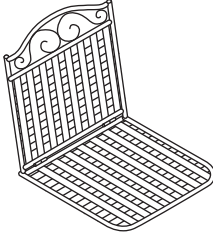
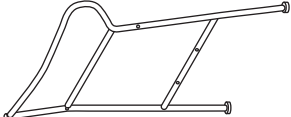
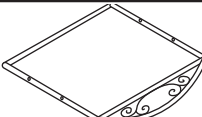
IEO-212


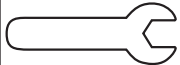
Review all assembly and care information before using this product. Save this manual for future reference.
Assemble components on a soft, clean surface to avoid damaging the finish.



250
pounds
113.4 kg
Weight Capacity

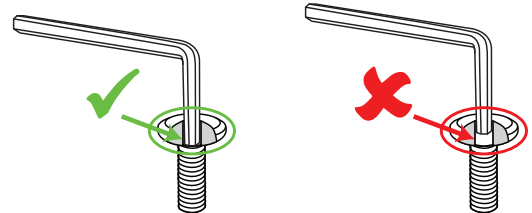
 Inspect packaging to ensure all parts are accounted for before disposing of packing materials.
 Save the packing slip.

No.	CHAIR PARTS	QTY.
A	 M6x40mm Bolt Set	8
B	 M6x30mm Bolt Set	8
C	 M6x15mm Bolt	4
D	 Support Bar	2
E	 Seat	2
F	 Leg Panel	4
G	 Footrest	2

INCLUDED TOOLS	
	Hex Key
	Spanner

⚠ WARNING ⚠
CHOKING HAZARD — This item contains small parts that can be swallowed. Keep children and pets away during assembly.

TIP: Always fully insert the hex key inside the designated notch of the bolt.



If the hex key is not fully inside the notch, the hex key could slip out, causing damage to the bolt head. Repeated hex key slipping will cause the notch to become rounded, making it difficult or impossible to tighten the bolt with the hex key.

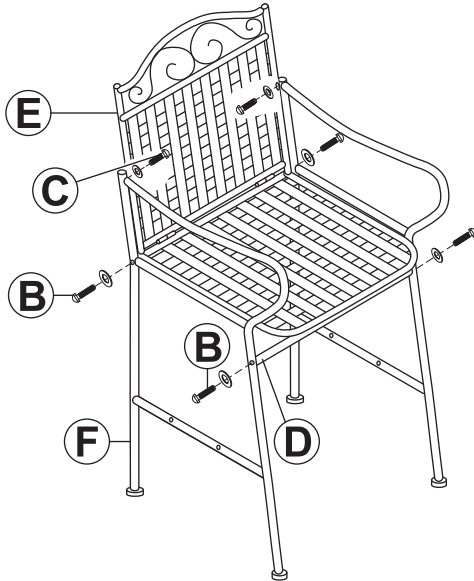
ASSEMBLY

Review all steps and understand assembly before beginning.

Do not fully tighten hardware until all components have been loosely assembled.

STEP 1

- B: 4
- C: 2
- D: 1
- E: 1
- F: 2

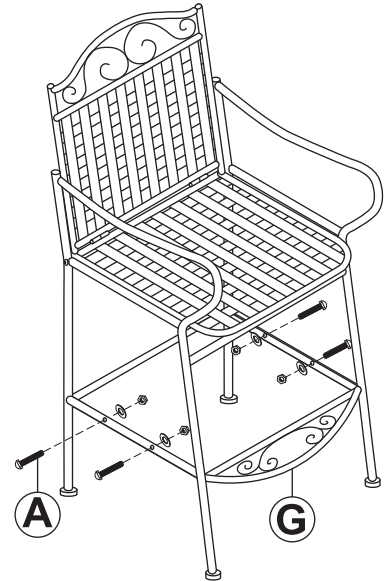


Connect two Leg Panels (F) to Seat Panel (E) using two M6x15mm Bolts (C) for the backrest and two M6x30mm Bolt Sets (B) for the seat.

Affix Support Bar (D) to the front of the leg panels, just below the seat, using two M6x30mm Bolt Sets (B).

STEP 2

- A: 4
- G: 1



Secure Footrest (G) to the bottom of the leg panels using four M6x40mm Bolt Sets (A).

Fully tighten all hardware after this step is complete.

Care & Maintenance

SAFE USE: For residential use only. Only use on a flat, level surface.

INSPECT: Periodically check assembly points and tighten fittings as necessary.

COVER: When not in use, cover furniture with a breathable cover to help protect it from the harmful effects of sunlight, inclement weather, as well as dust build-up, and collecting debris.

CARE & STORAGE: During winter and freezing temperatures, move furniture to a dry indoor location.

SCRATCHES: The powder coating on this product is tough and durable but, even under normal use, some scratching is inevitable. Scratches can be repaired with rust-resistant paint (not included).

WARNING: THE ONE-YEAR WARRANTY DOES NOT COVER DAMAGES OR DEFECTS CAUSED BY THE APPLICATION OF CHEMICAL TREATMENTS, PROTECTIVE COATINGS, TOUCH-UP PAINT, OR CLEANING PRODUCTS.

Cleaning

 **HAND-WASH ONLY**

 **DO NOT USE BLEACH**

 **DO NOT USE A PRESSURE WASHER**

Mix warm water with mild detergent. Use a soft cloth to hand-wash the furniture. Use a garden hose to thoroughly rinse away all soap residue. To prevent water spotting, dry furniture with a soft, lint-free cloth.

! SAFETY STATEMENTS & WARNINGS !

- Do not exceed the weight capacity.
- Inspect hardware often and tighten loose hardware before use.
- Do not use harsh chemicals, abrasive materials, or a pressure washer to clean the furniture.

Any modification to the product or failure to follow recommended care will void the product warranty.

! WARNING:

Manufacturer and seller expressly disclaim any and all liability from personal injury, property damage or loss, whether direct or indirect, or incidental, resulting from the incorrect attachment, improper use, inadequate maintenance, or neglect of this product.