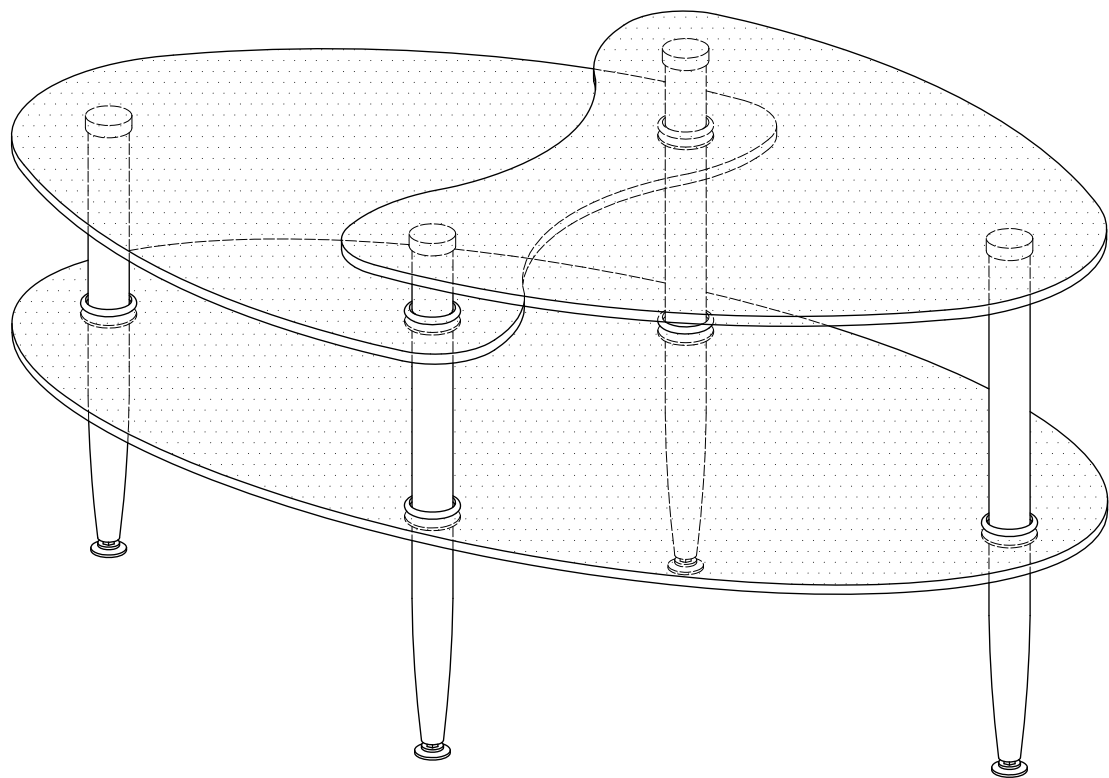




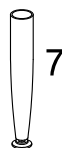
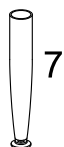
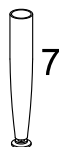
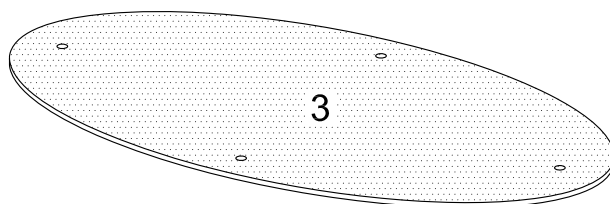
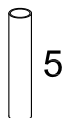
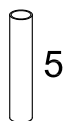
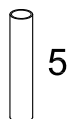
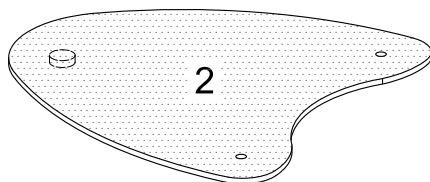
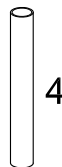
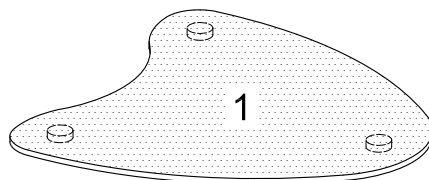
Item #: C38B5  
Assembly Instructions






*Please visit our website for the most current instructions, assembly tips, report damage, or request parts. [www.walkeredison.com](http://www.walkeredison.com)*

Revised 03/2017

# C38B5 Parts List

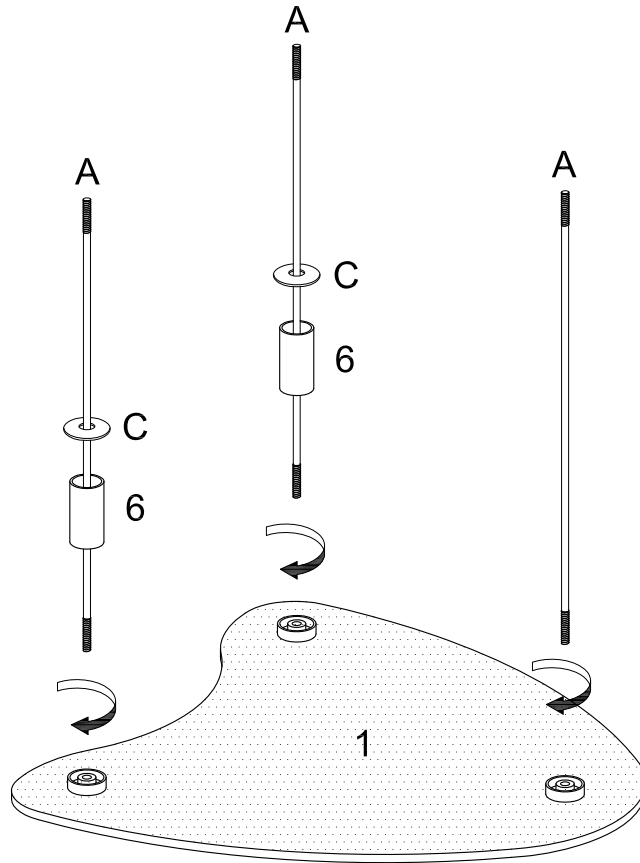


# Hardware List

A		M8 x 260mm	Long rod	3 pcs
B		M8 x 180mm	Short rod	1 pc
C			Decorative rings	12 pcs

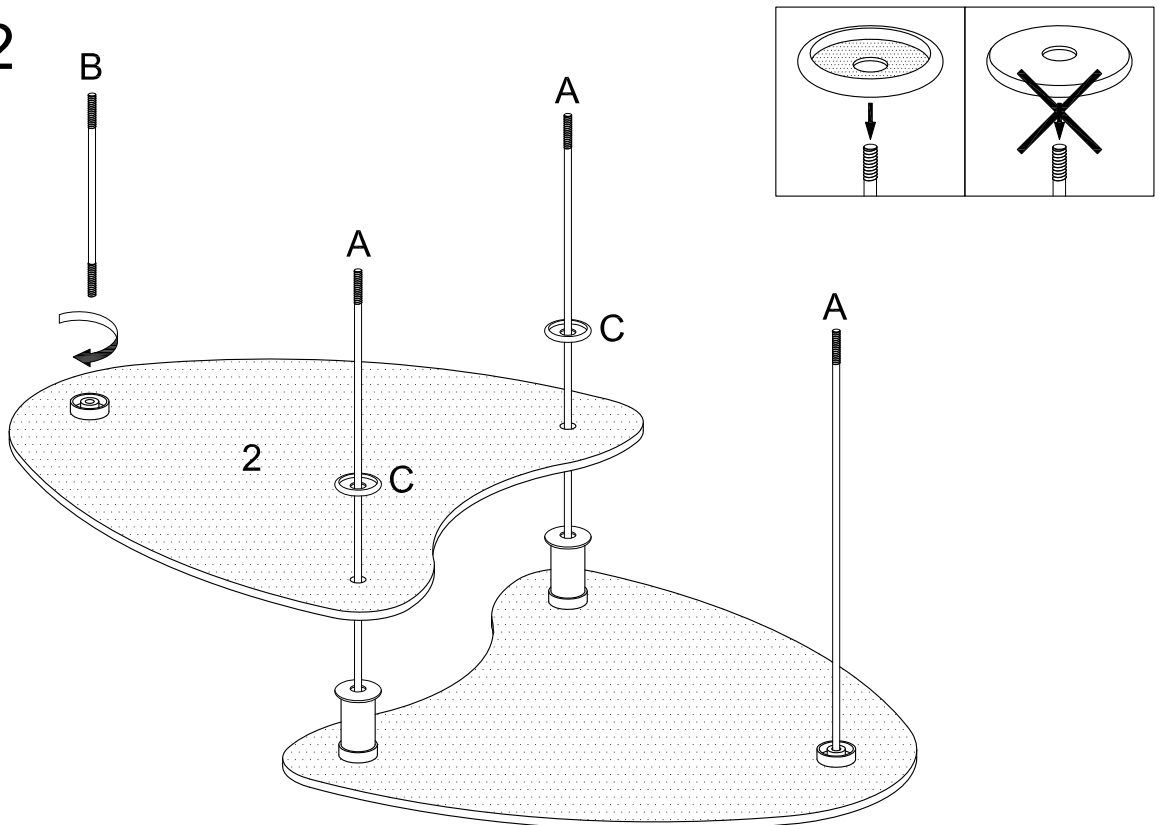
*The hardware quantities listed above are required for proper assembly.  
Some extra hardware may also have been included.*

# Step 1



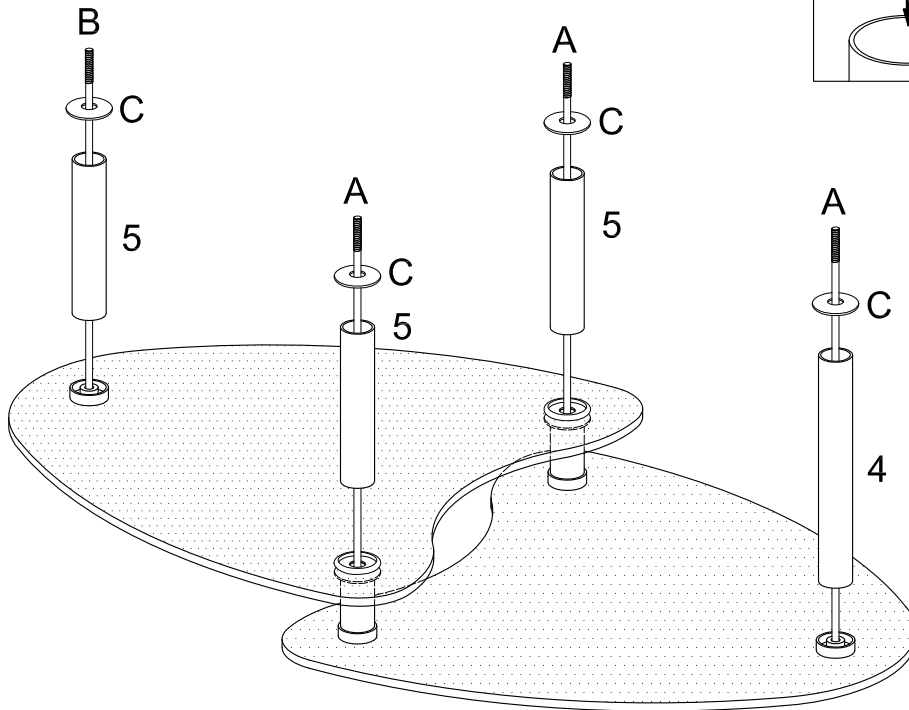
Carefully lay top glass (1) up-side-down on a soft surface. Screw long rods (A) into the plates of top glass (1). Slide cylinders (6) and decorative rings (C) onto middle long rods (A). Snap decorative rings (C) onto cylinders (6).

# Step 2



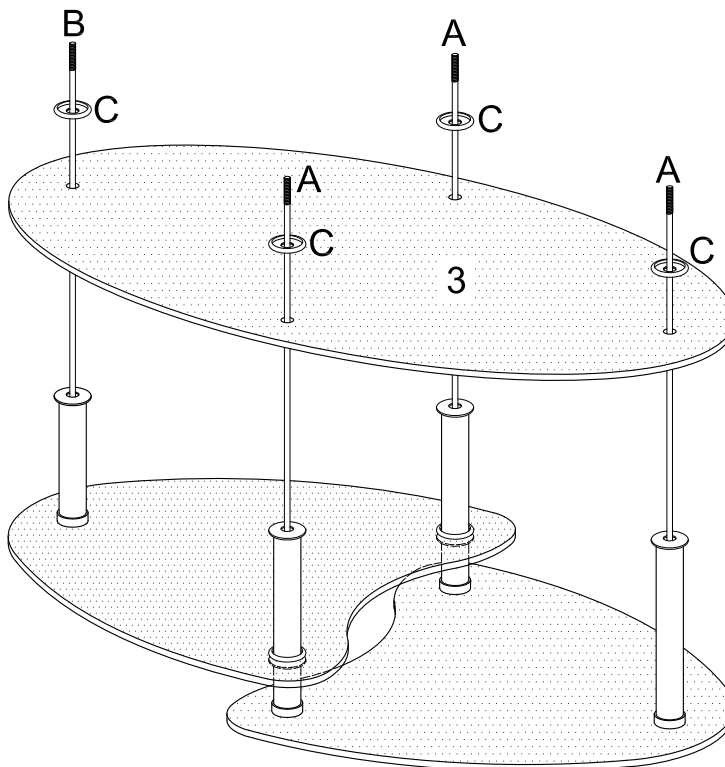
Slide top glass (2) then decorative rings (C) onto middle rods (A). Screw short rod (B) into the open plate of top glass (2).

# Step 3



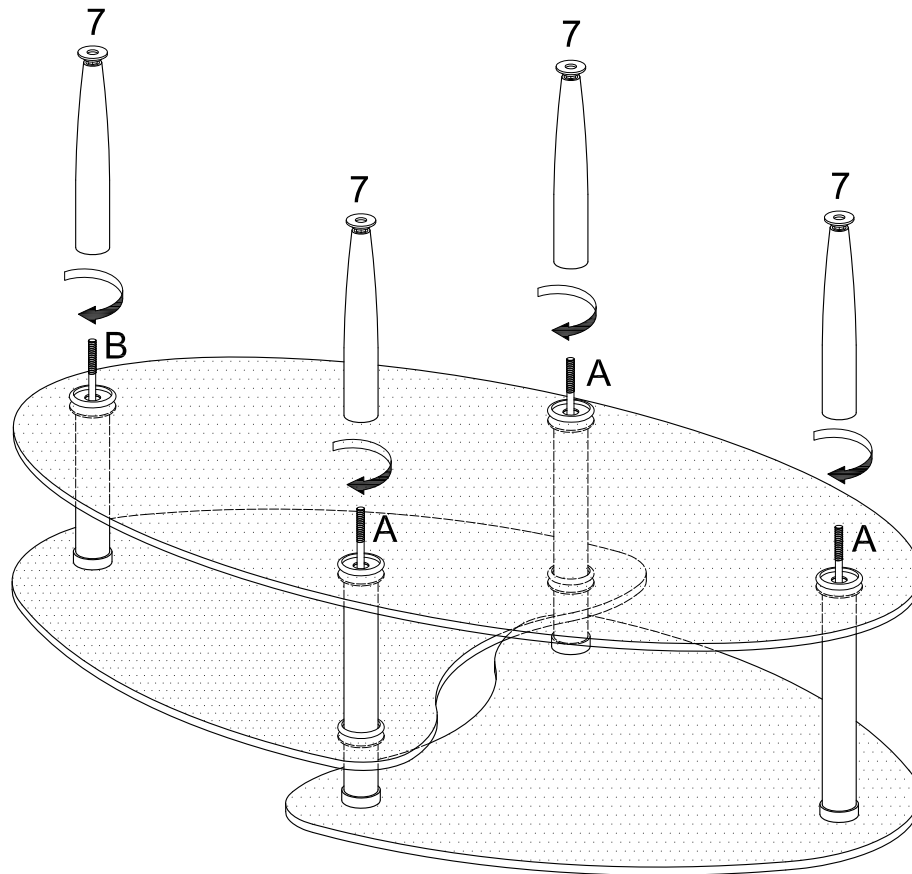
Slide cylinder (4) onto right long rod (A). Slide cylinders (5) onto middle long rods (A) and short rod (B). Slide decorative rings (C) onto all rods (A,B). Snap decorative rings (C) onto cylinders (4,5).

# Step 4



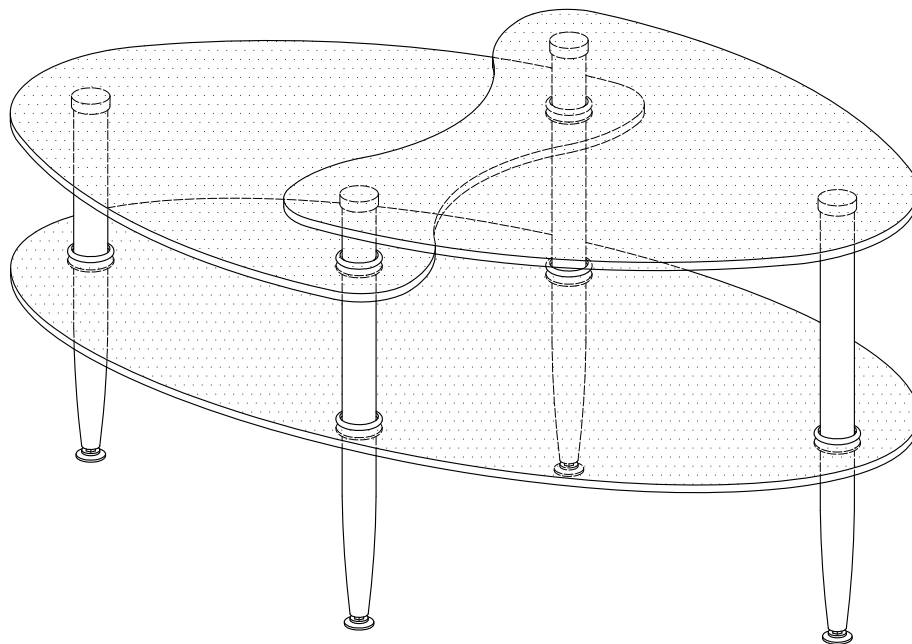
Carefully slide bottom glass (3) then decorative rings (C) onto all rods (A,B).

## Step 5



Screw legs (7) onto all rods (A,B). *Ensure that legs (7) fit snugly into the decorative rings placed in the previous step.*

## Step 6



**Final Assembly**